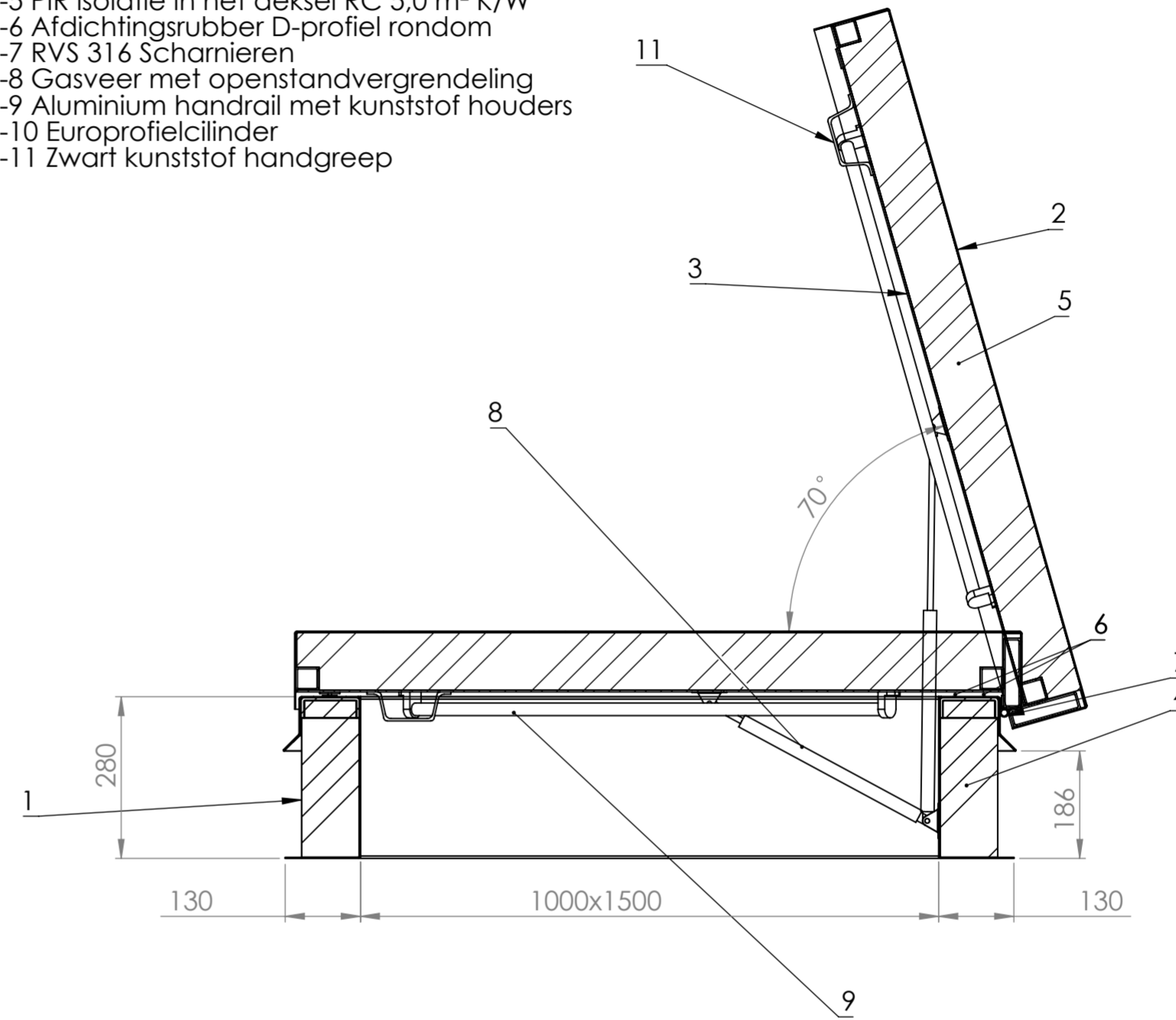


Type Storax Dakluik 100/150 (1000 x 1500 mm / Openingshoek 70°)

Specificatie:

- 1 Thermisch onderbroken opstand met geïntegreerde waterslag in RAL 7047
- 2 Deksel met thermische onderbreking, Buitenzijde RAL 7047
- 3 Kunststof afdekplaat in RAL 9010
- 4 PIR Isolatie tegen de opstand RC 5,0 m² K/W
- 5 PIR isolatie in het deksel RC 5,0 m² K/W
- 6 Afdichtingsrubber D-profiel rondom
- 7 RVS 316 Scharnieren
- 8 Gasveer met openstandvergrendeling
- 9 Aluminium handrail met kunststof houders
- 10 Europrofielcilinder
- 11 Zwart kunststof handgreep



STORAX	Drawn by	Name	Date	Project:					
	Appr. By			Title:					
	Checked by			Storax Dakluik 1000x1500					
	UNLESS OTHERWISE SPECIFIED DIMENSIONS ARE IN MM								
<table border="1"> <tr> <td>angle</td> <td>0.5 T/M 6</td> <td>6 T/M 30</td> <td>30 T/M 120</td> <td>120 T/M 400</td> </tr> </table>				angle	0.5 T/M 6	6 T/M 30	30 T/M 120	120 T/M 400	
angle	0.5 T/M 6	6 T/M 30	30 T/M 120	120 T/M 400					
<table border="1"> <tr> <td>±0.2</td> <td>±0.1</td> <td>±0.2</td> <td>±0.3</td> <td>±0.5</td> </tr> </table>				±0.2	±0.1	±0.2	±0.3	±0.5	
±0.2	±0.1	±0.2	±0.3	±0.5					
THIRD ANGLE PROJECTION				Sheet size: A2					
<small>THE INFORMATION CONTAINED IN THIS DRAWING IS THE SOLE PROPERTY OF STORAX. ANY REPRODUCTION IN PART OR AS A WHOLE WITHOUT THE WRITTEN PERMISSION OF STORAX IS PROHIBITED.</small>				Drawing nr. -00					
<small>PROPRIETARY AND CONFIDENTIAL</small>		<small>THIRD ANGLE PROJECTION</small>		Rev. -00					
<small>scale: 1:10</small>		<small>Material: Material <not specified></small>		Sheet 3/3					
<small>thickness: 78950.23gr</small>		<small>weight: 78950.23gr</small>							