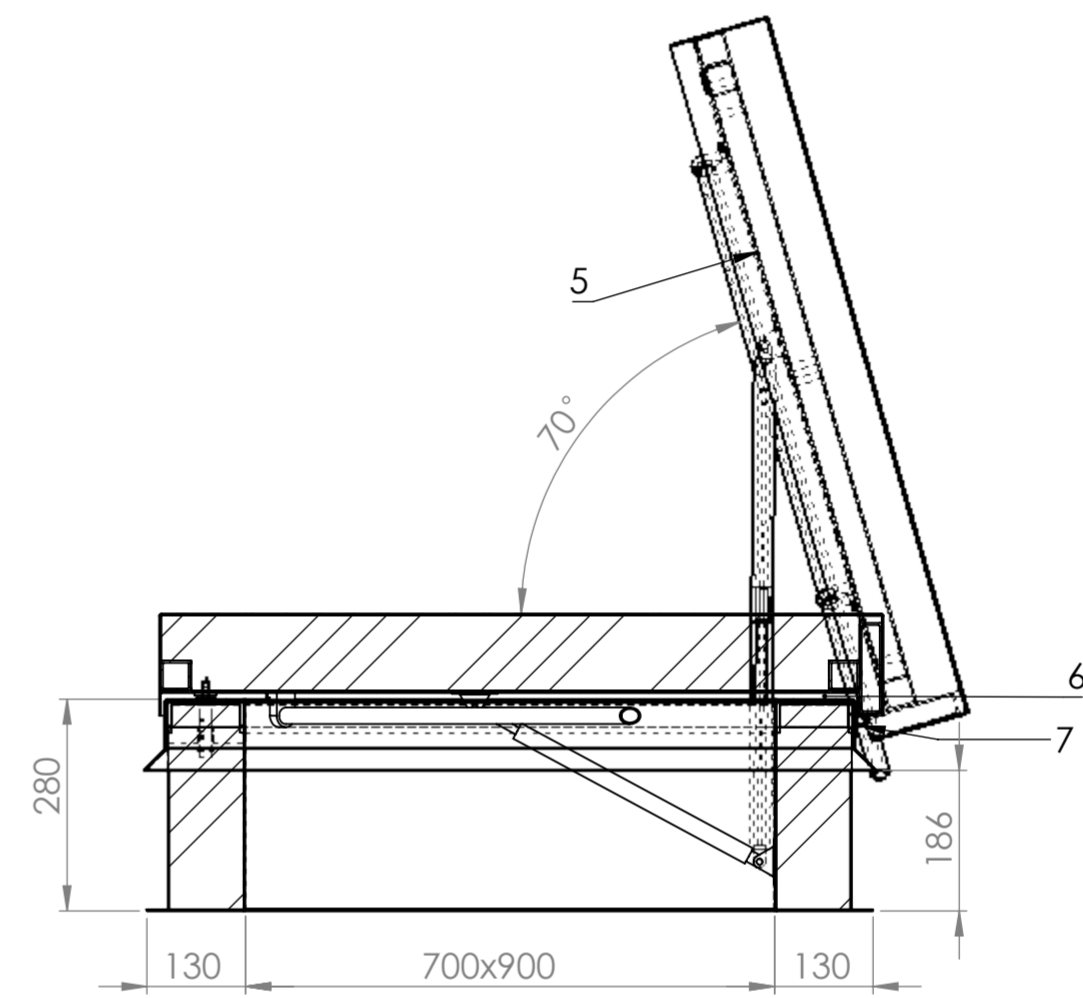



Type Storax Dakluik 70/90 (700 x 900 mm / Openingshoek 70°)

Specificatie:

- 1 Thermisch onderbroken opstand met geïntegreerde waterslag in RAL 7047
- 2 Deksel met thermische onderbreking, Buitenzijde RAL 7047
- 3 Kunststof afdekplaat in RAL 9010
- 4 PIR Isolatie tegen de opstand RC 5,0 m² K/W
- 5 PIR isolatie in het deksel RC 5,0 m² K/W
- 6 Afdichtingsrubber D-profiel rondom
- 7 RVS 316 Scharnieren
- 8 Gasveer met openstandvergrendeling
- 9 Aluminium handrail met kunststof houders
- 10 Europrofielcilinder



STORAX	Drawn by	M.H	Date	Project:									
	Appr. By			Title:									
	Checked by			Storax dakluik 700x900									
	UNLESS OTHERWISE SPECIFIED DIMENSIONS ARE IN MM												
<small>PROPRIETARY AND CONFIDENTIAL</small> <small>THE INFORMATION CONTAINED IN THIS DRAWING IS THE SOLE PROPERTY OF STORAX. ANY REPRODUCTION IN PART OR AS A WHOLE WITHOUT THE WRITTEN PERMISSION OF STORAX IS PROHIBITED</small>		<table border="1"> <tr> <td>±0.2</td> <td>±0.1</td> <td>±0.2</td> <td>±0.3</td> <td>±0.5</td> </tr> </table>	±0.2	±0.1	±0.2	±0.3	±0.5	<table border="1"> <tr> <td>angle</td> <td>0.5 T/M 6</td> <td>6 T/M 30</td> <td>30 T/M 120</td> <td>120 T/M 400</td> </tr> </table>	angle	0.5 T/M 6	6 T/M 30	30 T/M 120	120 T/M 400
±0.2	±0.1	±0.2	±0.3	±0.5									
angle	0.5 T/M 6	6 T/M 30	30 T/M 120	120 T/M 400									
<small>THIRD ANGLE PROJECTION</small> 		Sheet size: A2 scale: 1:10 Thickness:	Drawing nr. -00 Rev. -00 Material: Material <not specified> weight: 49697.12gr	Sheet 3/3									