



Assembly video:
<https://q-ne.ws/3coUd2i>

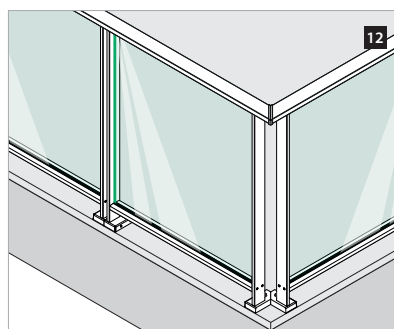
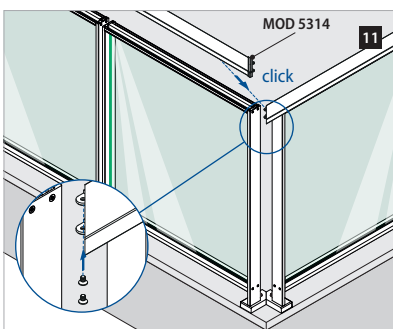
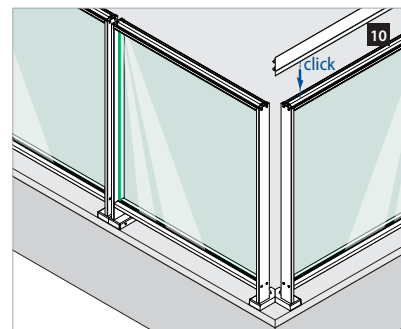
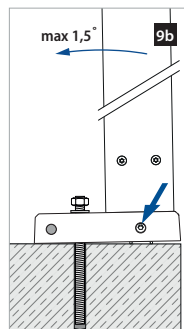
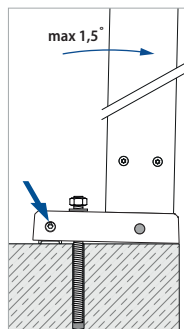
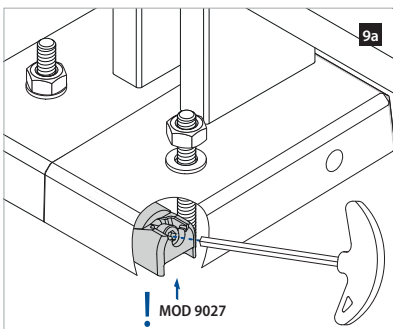
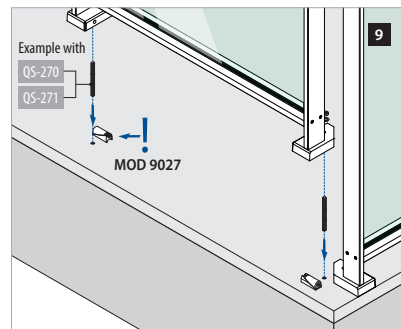
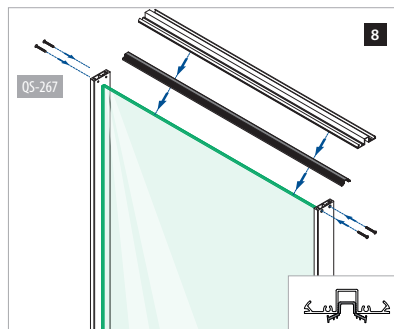
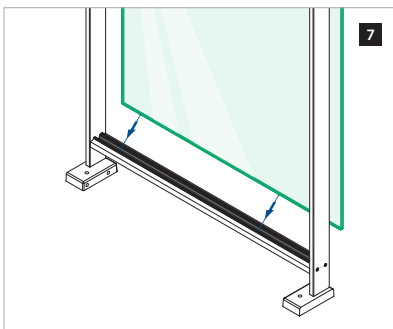
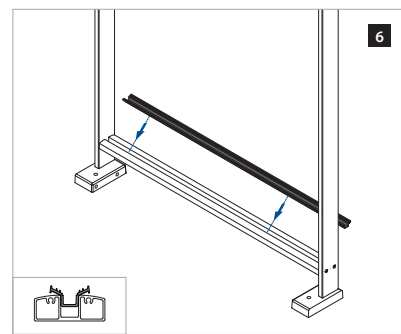
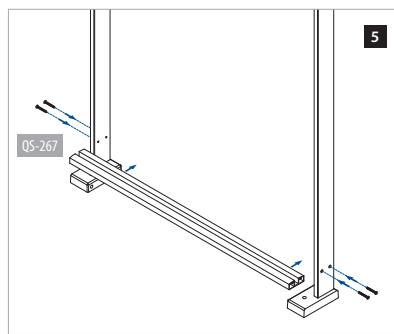
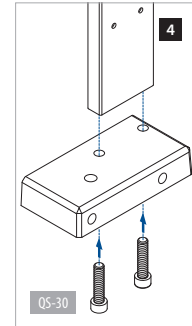
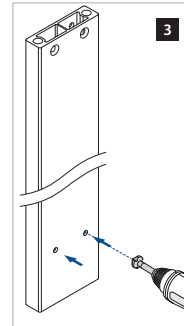
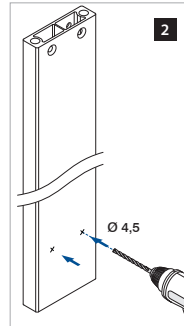
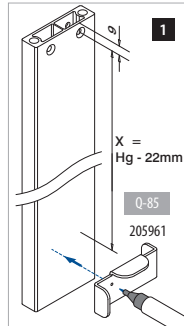
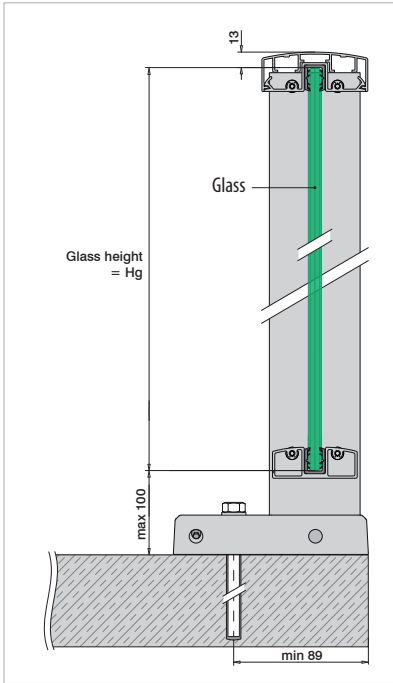
ASSEMBLY GUIDE

169026-009-xx-xx

Posts

EASY ALU - Base flanges, top mount

Q-INFO MOD 9026





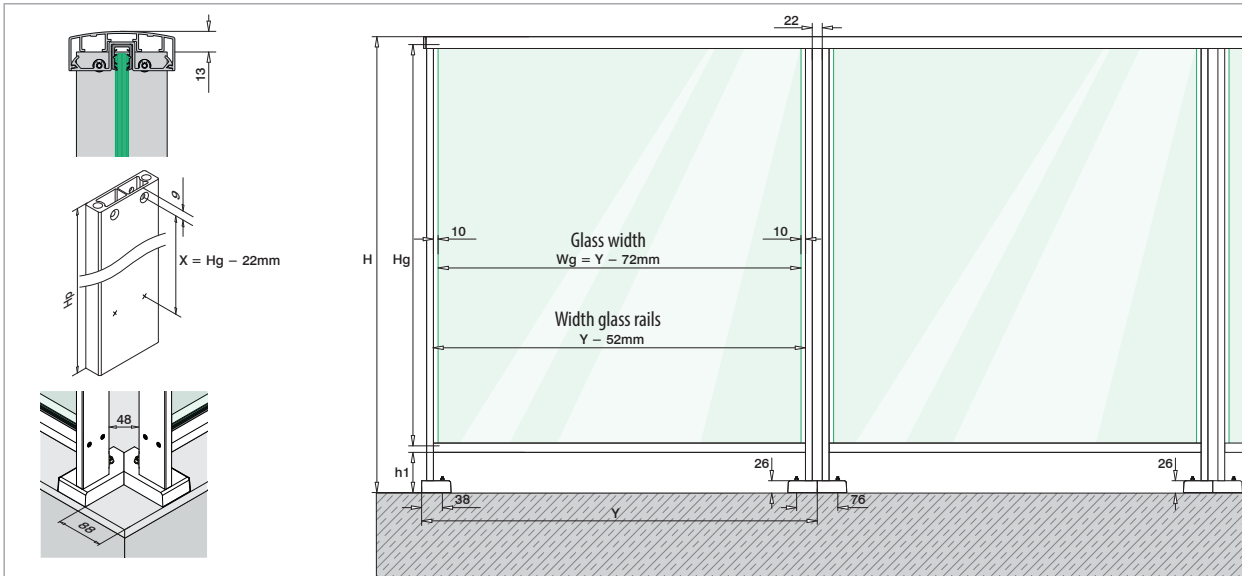
ASSEMBLY GUIDE

169026-009-xx-xx

Posts

EASY ALU - Base flanges, top mount

Q-INFO MOD 9026



Calculations – baluster posts, top mount

Railing height (H) – 35 mm = baluster post height (Hp)

Railing height (H)	Baluster post height (Hp)
900 mm	865 mm
1000 mm	965 mm
1100 mm	1065 mm
1200 mm	1165 mm

Glass calculation

Glass width (Wg) = Y – 72 mm
 Glass height (Hg) = railing height (H) – h1 – 12 mm

Distance drill holes in baluster post (X)

X = glass height (Hg) – 22 mm

Posts

EASY ALU - Mounting options with mid-rail

Q-INFO MOD 5952

