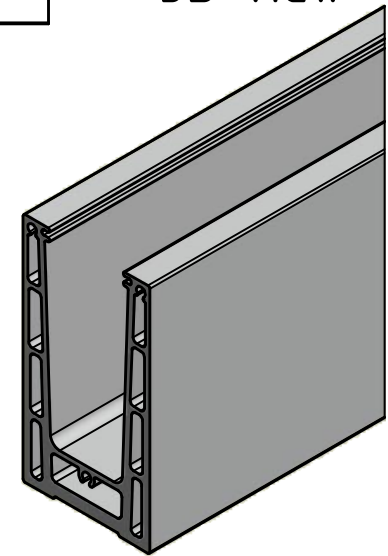


3D view



			Scale: 1:1	Weight: 35,6 kg		Rev.No.: 0
			Material: EN AW-6063 T6		Finish: anodized thickness 25µ	
<small>THIS DRAWING IS PROPERTY OF Q-RAILING EUROPE GmbH & Co KG ALL RIGHTS RESERVED. It may not be submitted for perusal to third parties, either whole nor partly, unless granted. It is not permitted to alter this drawing unauthorised, in any way.</small>			Product line: Easy Glass Prime			
			Description: Profile Top			
Drawn	Date	Name	Drawing no.: CD-16696050018			
Checked	21.08.2018	TRR				
			Project: 2018-199		Sheet: 1 / 1	
					A4	