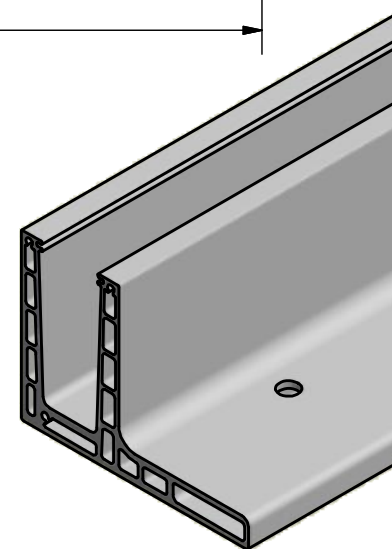


3D view



		Scale: 1 : 2	Weight: 48 kg		Rev.No.:
		Material: EN AW-6063 T6		Finish: anodized	
<small>THIS DRAWING IS PROPERTY OF Q-RAILING EUROPE GmbH & Co KG ALL RIGHTS RESERVED. It may not be submitted for perusal to third parties, either whole nor partly, unless granted. It is not permitted to alter this drawing unauthorised, in any way.</small>		Product line: EASY GLASS PRIME			
		Description: Base Shoe Top F			
Drawn	Date	Name		Drawing no.:	
Checked	13.08.2020	TRR		Project:	
General tolerance according				CD-16696250018	
				Sheet: 1 / 1	
				A4	