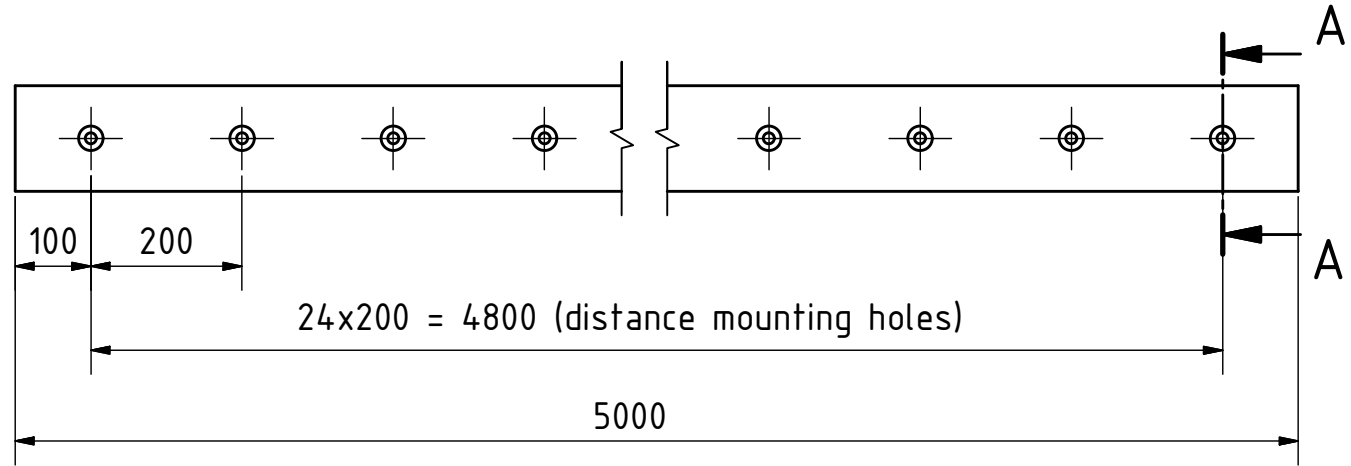
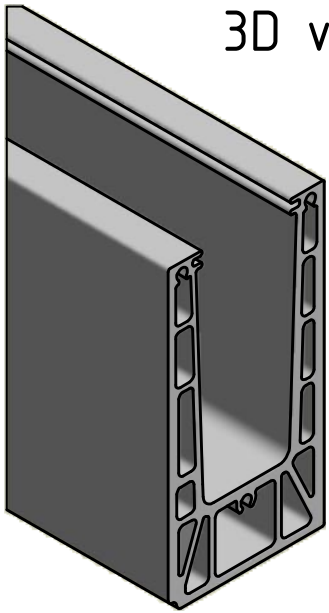
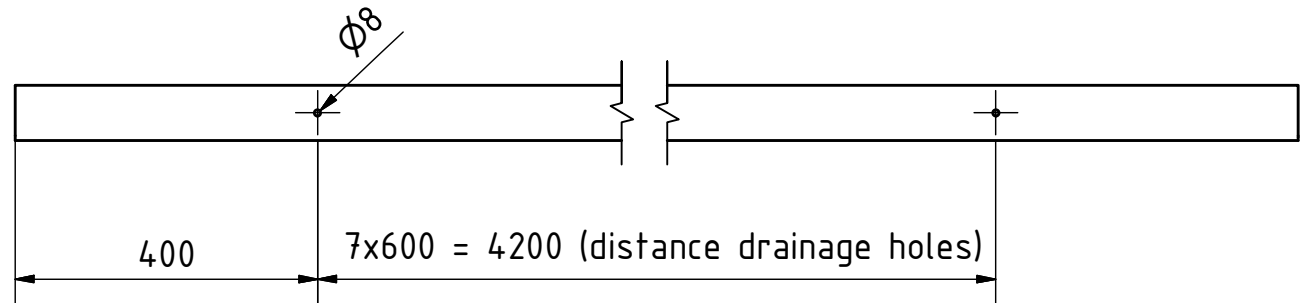
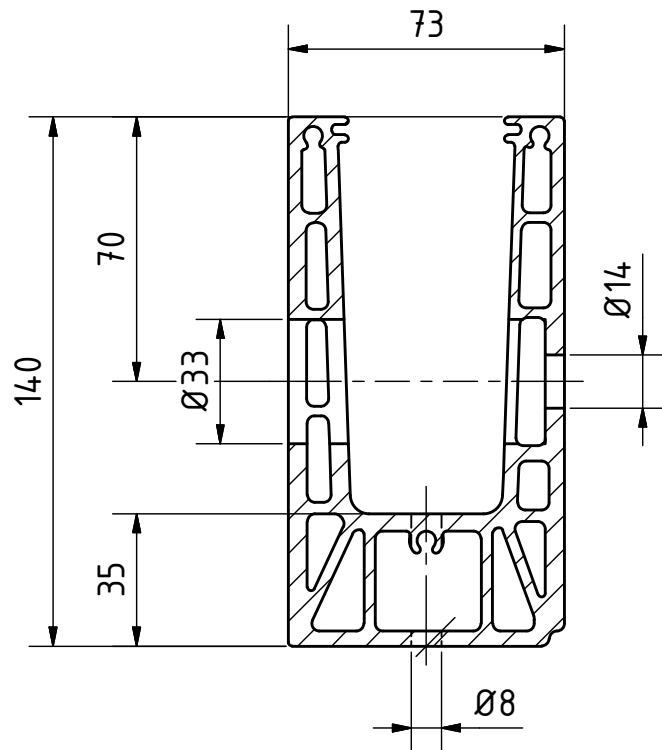


3D view



A-A



Scale: 1 : 1 | Weight: 41,0 kg | Rev.No.: 0

Material: Aluminium
Finish: anodized thickness 25 μ

THIS DRAWING IS PROPERTY OF Q-RAILING EUROPE GmbH & Co KG
ALL RIGHTS RESERVED. It may not be submitted for perusal to third parties, either whole nor partly, unless granted. It is not permitted to alter this drawing unauthorised, in any way.

Product line: Easy Glass Prime

	Date	Name
Drawn	13.02.2019	AlG
Checked	13.02.2019	TRR

Description: Base Shoe Fascia

Drawing no.:

CD-16696150018

Project:	2018-199
Sheet:	1 / 1
	A4