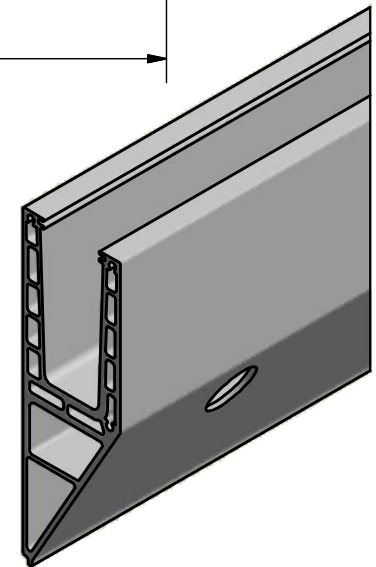


3D view



		Scale: 1 : 2,5	Weight: 48 kg		Rev.No.:
		Material: EN AW-6063 T6			Finish: anodized
<small>THIS DRAWING IS PROPERTY OF Q-RAILING EUROPE GmbH &amp; Co KG ALL RIGHTS RESERVED. It may not be submitted for perusal to third parties, either whole nor partly, unless granted. It is not permitted to alter this drawing unauthorised, in any way.</small>		Product line: EASY GLASS PRIME			
Drawn	Date	Name	Description: Base Shoe Y		
Checked	13.08.2020	TRR	Drawing no.: CD-16696350018		
General tolerance according			Project:		Sheet: 1 / 1
					A4