

# Schlüter® - PROFIELEN en SYSTEMEN

Beeld-prijslijst PS 26

Nederland – België · Geldig vanaf 1 januari 2026



**STORAX**  
Wattstraat 1-3335 LV Zwijndrecht  
Tel: 078-30 30 900  
storax@storax.nl

2026



# Uw partner voor 2026 ...

## Prijslijst LIPROTEC



## Prijslijst BEKOTEC-THERM

# ... competent op alle vakgebieden

## Klantspecifieke producten

MyDesign by Schlüter-Systems 14–31

My Schlüter®-KERDI-LINE 32–35

## Techniek en design met Schlüter-profielen

Bekledingsafsluitingen op de vloer 36–51

Wandhoeken en afsluitingen 52–101

Trapprofielen 102–113

Bewegings-, rand- en aansluitvoegen 114–145

Profielen voor elastische wand- en vloerbekledingen 146–153

## Afdichting / ontkoppeling / verwarming / afwatering / planchet / contactgeluidsisolatie / demontage

Afdichting, ontkoppeling, hechtende drainage, verwarming, contactgeluidsisolatie 154–175

Demontagevlies 176–177

Afdichten tegen de wand en op de vloer, afwatering, planchet 178–263

## Plaatsingsondergronden voor tegels

Constructieplaten, nissensets, profielen en toebehoren 264–283

## Balkons en terrassen

Balkon-randprofielen, gootsysteem, drainage en tegel dragers 284–335

## Verwerkingstips

Toebehoren en gereedschap 336–339

## Bijlage

Speciale uitvoering van Schlüter-producten 340–341

Metalen oppervlakken en kleurcodes 342–344

Legenda 346



## B

|                              |     |
|------------------------------|-----|
| Schlüter®-BARA-ESOT.....     | 324 |
| Schlüter®-BARA-FAP.....      | 334 |
| Schlüter®-BARA-HV.....       | 333 |
| Schlüter®-BARA-RAK.....      | 313 |
| Schlüter®-BARA-RAKE.....     | 315 |
| Schlüter®-BARA-RAKEG.....    | 314 |
| Schlüter®-BARA-RAP.....      | 333 |
| Schlüter®-BARA-RHA.....      | 334 |
| Schlüter®-BARA-RK.....       | 320 |
| Schlüter®-BARA-RKB.....      | 316 |
| Schlüter®-BARA-RKK.....      | 317 |
| Schlüter®-BARA-RKKE.....     | 318 |
| Schlüter®-BARA-RKL.....      | 321 |
| Schlüter®-BARA-RKLT.....     | 330 |
| Schlüter®-BARA-RT.....       | 323 |
| Schlüter®-BARA-RTC.....      | 319 |
| Schlüter®-BARA-RTK.....      | 326 |
| Schlüter®-BARA-RTKE.....     | 328 |
| Schlüter®-BARA-RTKEG.....    | 327 |
| Schlüter®-BARA-RTP.....      | 329 |
| Schlüter®-BARA-RW.....       | 322 |
| Schlüter®-BARA-RWL.....      | 324 |
| Schlüter®-BARA-STU.....      | 335 |
| Schlüter®-BARIN-R.....       | 332 |
| Schlüter®-BARIN-SR.....      | 331 |
| Schlüter®-BEKOTEC-DRAIN..... | 292 |

## C

|                         |     |
|-------------------------|-----|
| Schlüter®-CLEAN-CP..... | 339 |
|-------------------------|-----|

## D

|                                |         |
|--------------------------------|---------|
| Schlüter®-DECO.....            | 87      |
| Schlüter®-DECO-DE.....         | 88      |
| Schlüter®-DECO-SG.....         | 94, 229 |
| ✱ Schlüter®-DESIGN-NICHE.....  | 253     |
| Schlüter®-DESIGNBASE-SL-A..... | 96-97   |
| Schlüter®-DESIGNBASE-SL-E..... | 95      |
| Schlüter®-DESIGNLINE.....      | 92      |
| Schlüter®-DILEX-AHK.....       | 141-142 |
| Schlüter®-DILEX-AHK-TS.....    | 140     |
| Schlüter®-DILEX-AHKA.....      | 142-143 |
| Schlüter®-DILEX-AKWS.....      | 118     |
| Schlüter®-DILEX-AS.....        | 129     |
| Schlüter®-DILEX-BT.....        | 123     |
| Schlüter®-DILEX-BT/MT.....     | 126     |
| Schlüter®-DILEX-BT/OT.....     | 126     |
| Schlüter®-DILEX-BT/VTS.....    | 126     |
| Schlüter®-DILEX-BTO.....       | 123     |
| Schlüter®-DILEX-BTS.....       | 124     |
| Schlüter®-DILEX-BWA.....       | 129     |

|                                    |          |
|------------------------------------|----------|
| Schlüter®-DILEX-BWB.....           | 119      |
| Schlüter®-DILEX-BWS.....           | 119      |
| Schlüter®-DILEX-DFP.....           | 145      |
| Schlüter®-DILEX-EDP.....           | 116      |
| Schlüter®-DILEX-EF.....            | 130      |
| Schlüter®-DILEX-EHK.....           | 137      |
| Schlüter®-DILEX-EK.....            | 132      |
| Schlüter®-DILEX-EKE.....           | 130      |
| Schlüter®-DILEX-EKSB.....          | 118      |
| Schlüter®-DILEX-EMP.....           | 144      |
| Schlüter®-DILEX-EZ 6 + 9.....      | 122      |
| Schlüter®-DILEX-FCS.....           | 121      |
| Schlüter®-DILEX-FIS.....           | 121      |
| Schlüter®-DILEX-HK.....            | 133      |
| Schlüter®-DILEX-HKS.....           | 136      |
| Schlüter®-DILEX-HKU.....           | 138-139  |
| Schlüter®-DILEX-HKW.....           | 134      |
| Schlüter®-DILEX-KS.....            | 117      |
| Schlüter®-DILEX-KSA.....           | 128      |
| Schlüter®-DILEX-KSBT.....          | 124-125  |
| Schlüter®-DILEX-MOP.....           | 145      |
| Schlüter®-DILEX-MP.....            | 144      |
| Schlüter®-DILEX-RF.....            | 131      |
| ✱ Schlüter®-DILEX-STF.....         | 122      |
| Schlüter®-DITRA.....               | 157, 290 |
| Schlüter®-DITRA-DRAIN 4.....       | 173, 291 |
| Schlüter®-DITRA-DRAIN 8.....       | 173, 292 |
| Schlüter®-DITRA-HEAT.....          | 161      |
| Schlüter®-DITRA-HEAT-DUO.....      | 161      |
| Schlüter®-DITRA-HEAT-DUO-PS.....   | 163      |
| Schlüter®-DITRA-HEAT-E-CHC.....    | 165      |
| Schlüter®-DITRA-HEAT-E-CT.....     | 167      |
| Schlüter®-DITRA-HEAT-E-DUO-S.....  | 170      |
| Schlüter®-DITRA-HEAT-E-DUO-WS..... | 171      |
| Schlüter®-DITRA-HEAT-E-HK.....     | 164      |
| Schlüter®-DITRA-HEAT-E-KARO.....   | 167      |
| Schlüter®-DITRA-HEAT-E-R.....      | 166      |
| Schlüter®-DITRA-HEAT-E-R3.....     | 166      |
| Schlüter®-DITRA-HEAT-E-R4.....     | 167      |
| Schlüter®-DITRA-HEAT-E-R6.....     | 166      |
| Schlüter®-DITRA-HEAT-E-S.....      | 168      |
| Schlüter®-DITRA-HEAT-E-WS.....     | 169      |
| Schlüter®-DITRA-HEAT-E-ZS.....     | 167      |
| Schlüter®-DITRA-HEAT-PS.....       | 163      |
| Schlüter®-DITRA-PS.....            | 159      |
| Schlüter®-DITRA-SOUND.....         | 175      |

## E

|                        |         |
|------------------------|---------|
| Schlüter®-ECK-E.....   | 89      |
| Schlüter®-ECK-K.....   | 90      |
| Schlüter®-ECK-KHK..... | 91, 135 |

## F

|                         |    |
|-------------------------|----|
| Schlüter®-FINEC-A.....  | 86 |
| Schlüter®-FINEC-E.....  | 84 |
| Schlüter®-FINEC-SQ..... | 83 |
| Schlüter®-FINEC-TS..... | 85 |

## I

|                      |    |
|----------------------|----|
| Schlüter®-INDEC..... | 88 |
|----------------------|----|

## J

|                         |       |
|-------------------------|-------|
| Schlüter®-JOLLY.....    | 75    |
| Schlüter®-JOLLY-A.....  | 78-79 |
| Schlüter®-JOLLY-AC..... | 80    |
| Schlüter®-JOLLY-P.....  | 81    |
| Schlüter®-JOLLY-TS..... | 76    |

## K

|                                       |          |
|---------------------------------------|----------|
| Schlüter®-KERDI.....                  | 180, 291 |
| Schlüter®-KERDI-BOARD.....            | 267      |
| Schlüter®-KERDI-BOARD-AB.....         | 271      |
| Schlüter®-KERDI-BOARD-E.....          | 278      |
| Schlüter®-KERDI-BOARD-N.....          | 272-273  |
| Schlüter®-KERDI-BOARD-NLT.....        | 274-275  |
| Schlüter®-KERDI-BOARD-NLT-BR.....     | 276-277  |
| Schlüter®-KERDI-BOARD-U.....          | 278      |
| Schlüter®-KERDI-BOARD-V.....          | 278      |
| ✱ Schlüter®-KERDI-BOARD-WDP.....      | 271      |
| ✱ Schlüter®-KERDI-BOARD-WS.....       | 270      |
| Schlüter®-KERDI-BOARD-WW.....         | 269      |
| Schlüter®-KERDI-BOARD-ZA.....         | 281      |
| Schlüter®-KERDI-BOARD-ZB.....         | 281      |
| Schlüter®-KERDI-BOARD-ZC.....         | 280      |
| Schlüter®-KERDI-BOARD-ZDK.....        | 283      |
| Schlüter®-KERDI-BOARD-ZFP.....        | 283      |
| Schlüter®-KERDI-BOARD-ZS.....         | 282      |
| Schlüter®-KERDI-BOARD-ZSA.....        | 283      |
| Schlüter®-KERDI-BOARD-ZSD.....        | 282      |
| Schlüter®-KERDI-BOARD-ZT.....         | 282      |
| Schlüter®-KERDI-BOARD-ZW.....         | 280      |
| Schlüter®-KERDI-CID.....              | 185      |
| Schlüter®-KERDI-COLL-L.....           | 188, 279 |
| Schlüter®-KERDI-CP.....               | 187      |
| ✱ Schlüter®-KERDI-DRAIN (binnen)..... | 234-243  |
| Schlüter®-KERDI-DRAIN (buiten).....   | 306-311  |
| ✱ Schlüter®-KERDI-DRAIN.....          | 246-247  |
| Schlüter®-KERDI-DRAIN sets.....       | 248      |
| Schlüter®-KERDI-DRAIN-BASE.....       | 244      |
| Schlüter®-KERDI-DRAIN-BS.....         | 245      |
| Schlüter®-KERDI-DRAIN-KD 10.....      | 244      |
| Schlüter®-KERDI-DRAIN-KD 10 SF.....   | 245      |
| Schlüter®-KERDI-DRAIN-R 10 GT.....    | 244      |
| Schlüter®-KERDI-DRAIN-R/R-RL.....     | 245      |
| Schlüter®-KERDI-DRAIN-SP-E.....       | 304      |

|  |          |                                  |         |                                      |         |
|--|----------|----------------------------------|---------|--------------------------------------|---------|
| Schlüter®-KERDI-DRAIN-ZBS.....         | 216, 245 | Schlüter®-QUADEC-MC.....         | 55      | Schlüter®-TREP-G/-GL.....            | 108     |
| Schlüter®-KERDI-FIX.....               | 112, 188 | Schlüter®-QUADEC-PQ.....         | 62      | Schlüter®-TREP-GK/-GLK.....          | 112     |
| Schlüter®-KERDI-FLEX.....              | 181      | Schlüter®-QUADEC-TS.....         | 58      | Schlüter®-TREP-S/-B.....             | 106     |
| Schlüter®-KERDI-KEBA.....              | 181, 279 | <b>R</b>                         |         | Schlüter®-TREP-V.....                | 105     |
| Schlüter®-KERDI-KERECK.....            | 182      | Schlüter®-REFLEECE.....          | 177     | Schlüter®-TROBA.....                 | 295     |
| Schlüter®-KERDI-KERECK-F.....          | 182      | Schlüter®-REMA.....              | 338     | Schlüter®-TROBA-LEVEL-AP 1.....      | 299     |
| Schlüter®-KERDI-KERS.....              | 182      | Schlüter®-RENO-RAMP.....         | 50      | Schlüter®-TROBA-LEVEL-LV 3.....      | 300     |
| Schlüter®-KERDI-KM.....                | 184      | Schlüter®-RENO-RAMP-K.....       | 50      | Schlüter®-TROBA-LEVEL-PL 10.....     | 298     |
| Schlüter®-KERDI-LINE-A sets.....       | 221      | Schlüter®-RENO-T.....            | 51      | Schlüter®-TROBA-LEVEL-PLA 30.....    | 299     |
| ✱ Schlüter®-KERDI-LINE-A/-B/-C.....    | 211-213  | Schlüter®-RENO-TK.....           | 46      | Schlüter®-TROBA-LEVEL-PLA 70.....    | 300     |
| Schlüter®-KERDI-LINE-BS.....           | 216      | Schlüter®-RENO-U.....            | 49      | Schlüter®-TROBA-LEVEL-PLS 6.....     | 300     |
| Schlüter®-KERDI-LINE-D.....            | 215      | Schlüter®-RENO-V.....            | 47      | Schlüter®-TROBA-LEVEL-PLV 60.....    | 299     |
| Schlüter®-KERDI-LINE-D-G3.....         | 220      | Schlüter®-RENO-VB.....           | 48      | Schlüter®-TROBA-LINE-TL.....         | 301-302 |
| Schlüter®-KERDI-LINE-F 40.....         | 202      | Schlüter®-RENO-VT.....           | 126     | Schlüter®-TROBA-LINE-TL/H.....       | 304     |
| Schlüter®-KERDI-LINE-F 50.....         | 203      | Schlüter®-RONDEC-A.....          | 68-69   | Schlüter®-TROBA-LINE-TLK-E.....      | 304     |
| Schlüter®-KERDI-LINE-F-G3.....         | 220      | Schlüter®-RONDEC-AC.....         | 70      | Schlüter®-TROBA-LINE-TLR.....        | 302     |
| ✱ Schlüter®-KERDI-LINE-FC.....         | 214      | Schlüter®-RONDEC-DB.....         | 71      | Schlüter®-TROBA-LINE-TLR-E.....      | 303     |
| Schlüter®-KERDI-LINE-G3.....           | 218-219  | Schlüter®-RONDEC-E.....          | 65-66   | Schlüter®-TROBA-PLUS.....            | 293     |
| Schlüter®-KERDI-LINE-GTM.....          | 217, 244 | Schlüter®-RONDEC-MC.....         | 64      | Schlüter®-TROBA-PLUS-G.....          | 294     |
| Schlüter®-KERDI-LINE-GTO.....          | 216      | Schlüter®-RONDEC-PRG.....        | 73      | Schlüter®-TROBA-STELZ-DR.....        | 297     |
| Schlüter®-KERDI-LINE-H.....            | 204      | Schlüter®-RONDEC-PRO.....        | 72      | Schlüter®-TROBA-STELZ-MR.....        | 297     |
| Schlüter®-KERDI-LINE-H 50 G2.....      | 205      | Schlüter®-RONDEC-STEP.....       | 98      | Schlüter®-TROBA-ZFK.....             | 295     |
| Schlüter®-KERDI-LINE-SR.....           | 217      | Schlüter®-RONDEC-STEP-CT.....    | 99      | Schlüter®-TROWEL.....                | 338     |
| Schlüter®-KERDI-LINE-STYLE.....        | 209      | Schlüter®-RONDEC-TS.....         | 67      | <b>V</b>                             |         |
| Schlüter®-KERDI-LINE-V.....            | 206-207  | Schlüter®-RUMA.....              | 338     | Schlüter®-VINPRO-RO.....             | 151     |
| Schlüter®-KERDI-LINE-V 50 G2.....      | 208      | <b>S</b>                         |         | Schlüter®-VINPRO-S.....              | 150     |
| ✱ Schlüter®-KERDI-LINE-VARIO COVE..... | 196-197  | Schlüter®-SCHIENE.....           | 39-40   | Schlüter®-VINPRO-STEP.....           | 152     |
| Schlüter®-KERDI-LINE-VARIO WAVE.....   | 194-195  | Schlüter®-SCHIENE-A.....         | 42-43   | Schlüter®-VINPRO-STEP-R.....         | 153     |
| Schlüter®-KERDI-LINE-VARIO-DSE.....    | 198      | Schlüter®-SCHIENE-AC.....        | 43      | Schlüter®-VINPRO-T.....              | 148     |
| Schlüter®-KERDI-LINE-VARIO-H 40.....   | 192      | Schlüter®-SCHIENE-BASIC.....     | 45      | Schlüter®-VINPRO-U.....              | 149     |
| Schlüter®-KERDI-LINE-VARIO-H 50.....   | 193      | Schlüter®-SCHIENE-ES.....        | 44      | <b>W</b>                             |         |
| ✱ Schlüter®-KERDI-LINE-VARIO-S.....    | 198      | Schlüter®-SCHIENE-STEP.....      | 101     | ✱ Schlüter®-WASHBASINPROFILE-WS..... | 270     |
| Schlüter®-KERDI-MV.....                | 183      | Schlüter®-SCHIENE-STEP-EB.....   | 100-101 | ✱ Schlüter®-WASHBASINPROFILE-WW..... | 269     |
| Schlüter®-KERDI-PAS.....               | 183      | Schlüter®-SCHIENE-TS.....        | 41      | Schlüter®-WINKEL.....                | 48      |
| Schlüter®-KERDI-SHOWER-LT.....         | 222      | Schlüter®-SCHIENE-V.....         | 45      |                                      |         |
| Schlüter®-KERDI-SHOWER-LTS.....        | 223      | Schlüter®-SHELF-E-S1.....        | 254-255 |                                      |         |
| Schlüter®-KERDI-SHOWER-SK/-SKB.....    | 249      | Schlüter®-SHELF-E-S2.....        | 256-257 |                                      |         |
| Schlüter®-KERDI-SHOWER-T.....          | 250      | Schlüter®-SHELF-E-S3.....        | 258-259 |                                      |         |
| Schlüter®-KERDI-SHOWER-TS.....         | 250      | Schlüter®-SHELF-N.....           | 260-261 |                                      |         |
| Schlüter®-KERDI-SHOWER-TT.....         | 251      | Schlüter®-SHELF-W.....           | 262-263 |                                      |         |
| Schlüter®-KERDI-TS.....                | 186      | ✱ Schlüter®-SHOWERPROFILE-R..... | 226     |                                      |         |
| Schlüter®-KERDI-TS-ZC.....             | 187      | ✱ Schlüter®-SHOWERPROFILE-S..... | 224-225 |                                      |         |
| <b>P</b>                               |          | Schlüter®-SHOWERPROFILE-WS.....  | 227     |                                      |         |
| Schlüter®-PROCUT-PSF.....              | 339      | Schlüter®-SHOWERPROFILE-WSK..... | 228     |                                      |         |
| Schlüter®-PROCUT-TSM.....              | 339      | <b>T</b>                         |         |                                      |         |
| <b>Q</b>                               |          | Schlüter®-TERRAZZO.....          | 51      |                                      |         |
| Schlüter®-QUADEC-A.....                | 59       | Schlüter®-TREP-E.....            | 107     |                                      |         |
| Schlüter®-QUADEC-AC.....               | 61       | Schlüter®-TREP-EFK.....          | 111     |                                      |         |
| Schlüter®-QUADEC-E.....                | 56-57    | Schlüter®-TREP-EK.....           | 111     |                                      |         |
| Schlüter®-QUADEC-FS.....               | 93       | Schlüter®-TREP-FL.....           | 109     |                                      |         |



## BEKLEDINGSAFSLUITINGEN OP DE VLOER



Schlüter®-SCHIENE  
Pagina 39–43



Schlüter®-SCHIENE-ES  
Pagina 44



Schlüter®-SCHIENE-BASIC  
Pagina 45



Schlüter®-SCHIENE-V  
Pagina 45



Schlüter®-RENO-TK  
Pagina 46



Schlüter®-RENO-V  
Pagina 47



Schlüter®-RENO-U  
Pagina 49



Schlüter®-RENO-RAMP  
Pagina 50



Schlüter®-RENO-RAMP-K  
Pagina 50



Schlüter®-RENO-T  
Pagina 51



Schlüter®-TERRAZZO  
Pagina 51

## WANDHOEKEN EN AFSLUITINGEN



Schlüter®-QUADEC  
Pagina 55–62



Schlüter®-RONDEC  
Pagina 64–73



Schlüter®-JOLLY  
Pagina 75–81



Schlüter®-FINEC  
Pagina 83–86



Schlüter®-DECO  
Pagina 87–88



Schlüter®-INDEC  
Pagina 88



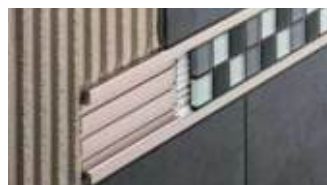
Schlüter®-ECK  
Pagina 89–90



Schlüter®-ECK-KHK  
Pagina 91, 135



Schlüter®-DESIGNLINE  
Pagina 92



Schlüter®-QUADEC-FS  
Pagina 93



Schlüter®-DECO-SG  
Pagina 94, 229–230



Schlüter®-DESIGNBASE  
Pagina 95–97



Schlüter®-RONDEC-STEP  
Pagina 98–99



Schlüter®-SCHIENE-STEP  
Pagina 100–101

## TRAPPROFIELEN



Schlüter®-TREP-V  
Pagina 105



Schlüter®-TREP-S/-B  
Pagina 106



Schlüter®-TREP-TAP  
Pagina 106



Schlüter®-TREP-E  
Pagina 107



Schlüter®-TREP-G/-GL  
Pagina 108



Schlüter®-TREP-FL  
Pagina 109



Schlüter®-TREP-EK  
Pagina 111



Schlüter®-TREP-EFK  
Pagina 111



Schlüter®-TREP-GK/-GLK  
Pagina 112

## BEWEGINGS-, RAND- EN AANSLUITVOEGEN



Schlüter®-DILEX-EDP  
Pagina 116



Schlüter®-DILEX-KS  
Pagina 117



Schlüter®-DILEX-EKSB  
Pagina 118



Schlüter®-DILEX-AKWS  
Pagina 118



Schlüter®-DILEX-BWB  
Pagina 119



Schlüter®-DILEX-BWS  
Pagina 119



Schlüter®-DILEX-F  
Pagina 121



Schlüter®-DILEX-EZ 6 + 9  
Pagina 122



Schlüter®-DILEX-STF  
Pagina 122



✦ Schlüter®-DILEX-BT  
Pagina 123



Schlüter®-DILEX-BTO  
Pagina 123



Schlüter®-DILEX-BTS  
Pagina 124



Schlüter®-DILEX-KSBT  
Pagina 124-125



Schlüter®-DILEX-KSA  
Pagina 128



Schlüter®-DILEX-BWA  
Pagina 129



Schlüter®-DILEX-AS  
Pagina 129



## BEWEGINGS-, RAND- EN AANSLUITVOEGEN (VERVOLG)



**Schlüter®-DILEX-EF**  
Pagina 130



**Schlüter®-DILEX-EKE**  
Pagina 130



**Schlüter®-DILEX-RF**  
Pagina 131



**Schlüter®-DILEX-EK**  
Pagina 132



**Schlüter®-DILEX-HK**  
Pagina 133



**Schlüter®-DILEX-HKW**  
Pagina 134



**Schlüter®-DILEX-HKS**  
Pagina 136



**Schlüter®-DILEX-EHK**  
Pagina 137



**Schlüter®-DILEX-HKU**  
Pagina 138-139



**Schlüter®-DILEX-AHK-TS**  
Pagina 140



**Schlüter®-DILEX-AHK**  
Pagina 141-142



**Schlüter®-DILEX-AHKA**  
Pagina 142-143



**Schlüter®-DILEX-EMP**  
Pagina 144



**Schlüter®-DILEX-MP**  
Pagina 144



**Schlüter®-DILEX-MOP**  
Pagina 145



**Schlüter®-DILEX-DFP**  
Pagina 145

## PROFIELEN VOOR ELASTISCHE WAND- EN VLOERBEKLEDINGEN



**Schlüter®-VINPRO-T**  
Pagina 148



**Schlüter®-VINPRO-U**  
Pagina 149



**Schlüter®-VINPRO-S**  
Pagina 150



**Schlüter®-VINPRO-RO**  
Pagina 151



**Schlüter®-VINPRO-STEP**  
Pagina 152

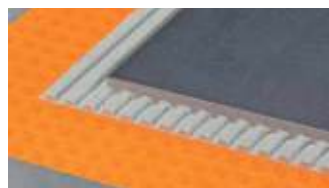


**Schlüter®-VINPRO-STEP-R**  
Pagina 153

## AFDICHTING, ONTKOPPELING, HECHTENDE DRAINAGE, VERWARMING, CONTACTGELUIDSISOLATIE



**Schlüter®-DITRA**  
Pagina 157, 290



**Schlüter®-DITRA-PS**  
Pagina 159



**Schlüter®-DITRA-HEAT / -DUO**  
Pagina 161



**Schlüter®-DITRA-HEAT-PS / -DUO-PS**  
Pagina 163



**Schlüter®-DITRA-HEAT-E toebehoren**  
Pagina 164-167



**Schlüter®-DITRA-HEAT-E sets**  
Pagina 168-171



**Schlüter®-DITRA-DRAIN**  
Pagina 173, 291-292



**Schlüter®-DITRA-SOUND**  
Pagina 175

## DEMONTAGEVLIES



**Schlüter®-REFLEECE**  
Pagina 177

## AFDICHTEN TEGEN DE WAND EN OP DE VLOER, AFWATERING, PLANCHET



**Schlüter®-KERDI**  
Pagina 180, 291



**Schlüter®-KERDI-KEBA / -FLEX**  
Pagina 181, 279



**Schlüter®-KERDI-KERECK / -F**  
Pagina 182



**Schlüter®-KERDI-KERS**  
Pagina 182



**Schlüter®-KERDI-MV / -PAS**  
Pagina 183



**Schlüter®-KERDI-KM**  
Pagina 184



**Schlüter®-KERDI-CID**  
Pagina 185



**Schlüter®-KERDI-TS / -ZC**  
Pagina 186-187



**Schlüter®-KERDI-CP**  
Pagina 187



**Schlüter®-KERDI-COLL-L**  
Pagina 188, 279



**Schlüter®-KERDI-FIX**  
Pagina 112, 188



**Schlüter®-KERDI-LINE-VARIO** ★  
Pagina 192-198



## AFDICHTEN TEGEN DE WAND EN OP DE VLOER, AFWATERING, PLANCHET (VERVOLG)



**Schlüter®-KERDI-LINE**  
Pagina 202–208, 218–219



**Schlüter®-KERDI-LINE-STYLE**  
Pagina 209



**Schlüter®-KERDI-LINE-A/-B/-C**  
Pagina 211–213



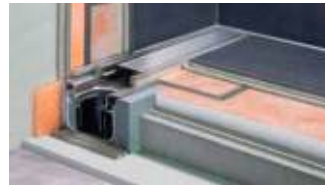
**Schlüter®-KERDI-LINE-FC**  
Pagina 214



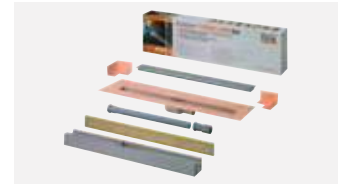
**Schlüter®-KERDI-LINE-D / -G3**  
Pagina 215, 220



**Schlüter®-KERDI-LINE toebehoren**  
Pagina 216–217



**Schlüter®-KERDI-LINE-SR**  
Pagina 217



**Schlüter®-KERDI-LINE-A sets**  
Pagina 221



**Schlüter®-KERDI-SHOWER-LT/-LTS**  
Pagina 222–223



**Schlüter®-SHOWERPROFILE-S**  
Pagina 224–225



**Schlüter®-SHOWERPROFILE-R**  
Pagina 226



**Schlüter®-SHOWERPROFILE-WS/-WSK**  
Pagina 227–228



**Schlüter®-DECO-SG/-SGC**  
Pagina 94, 229–230



**Schlüter®-KERDI-DRAIN (binnen)**  
Pagina 234–243



**Schlüter®-KERDI-DRAIN toebehoren**  
Pagina 244–247



**Schlüter®-KERDI-DRAIN sets (binnen)**  
Pagina 248



**Schlüter®-KERDI-SHOWER-SK/-SKB**  
Pagina 249



**Schlüter®-KERDI-SHOWER-T/-TS/-TT**  
Pagina 250–251



**Schlüter®-DESIGN-NICHE**  
Pagina 253



**Schlüter®-SHELF-E-S1**  
Pagina 254–255



**Schlüter®-SHELF-E-S2**  
Pagina 256–257



**Schlüter®-SHELF-E-S3**  
Pagina 258–259



**Schlüter®-SHELF-N**  
Pagina 260–261



**Schlüter®-SHELF-W**  
Pagina 262–263

## PLAATSINGSONDERGROND VOOR TEGELS



**Schlüter®-KERDI-BOARD**  
Pagina 267



**Schlüter®-KERDI-BOARD-W**   
Pagina 269–271



**Schlüter®-KERDI-BOARD-N**  
Pagina 272–273



**Schlüter®-KERDI-BOARD-NLT/-NLT-BR**  
Pagina 274–277



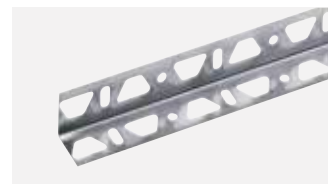
**Schlüter®-KERDI-BOARD-V**  
Pagina 278



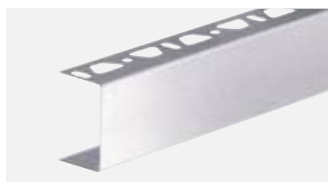
**Schlüter®-KERDI-BOARD-E**  
Pagina 278



**Schlüter®-KERDI-BOARD-U**  
Pagina 278



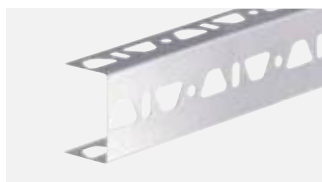
**Schlüter®-KERDI-BOARD-ZW**  
Pagina 280



**Schlüter®-KERDI-BOARD-ZC**  
Pagina 280



**Schlüter®-KERDI-BOARD-ZA**  
Pagina 281



**Schlüter®-KERDI-BOARD-ZB**  
Pagina 281



**Schlüter®-KERDI-BOARD toebehoren**  
Pagina 282



**Schlüter®-KERDI-BOARD-ZDK**  
Pagina 283



**Schlüter®-KERDI-BOARD-ZSA**  
Pagina 283



**Schlüter®-KERDI-BOARD-ZFP**  
Pagina 283

## BALKON- EN TERRASCONSTRUCTIES



**Schlüter®-BEKOTEC-DRAIN**  
Pagina 292



**Schlüter®-TROBA-PLUS**  
Pagina 293



**Schlüter®-TROBA-PLUS-G**  
Pagina 294



**Schlüter®-TROBA**  
Pagina 295



**Schlüter®-TROBA-ZFK**  
Pagina 295



**Schlüter®-TROBA-STELZ**  
Pagina 297



**Schlüter®-TROBA-LEVEL**  
Pagina 298–300



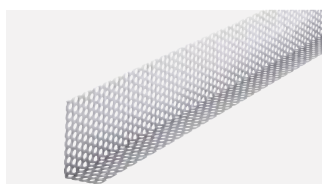
**Schlüter®-TROBA-LINE-TL**  
Pagina 301–302



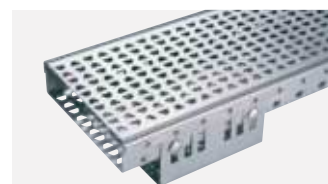
**Schlüter®-TROBA-LINE-TLR**  
Pagina 302



**Schlüter®-TROBA-LINE-TLR-E**  
Pagina 303



**Schlüter®-TROBA-LINE-TLK-E**  
Pagina 304



**Schlüter®-TROBA-LINE-TL/H**  
Pagina 304



## BALKON- EN TERRASCONSTRUCTIES (VERVOLG)



**Schlüter®-KERDI-DRAIN-SP-E**  
Pagina 304



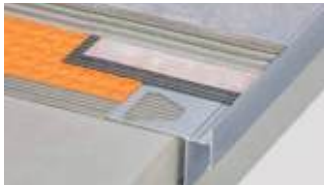
**Schlüter®-KERDI-DRAIN (buiten)**  
Pagina 306–310



**Schlüter®-KERDI-DRAIN sets (buiten)**  
Pagina 311



**Schlüter®-BARA-RAK**  
Pagina 313



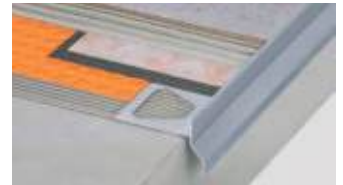
**Schlüter®-BARA-RAKEG**  
Pagina 314



**Schlüter®-BARA-RAKE**  
Pagina 315



**Schlüter®-BARA-RKB**  
Pagina 316



**Schlüter®-BARA-RKK**  
Pagina 317



**Schlüter®-BARA-RKKE**  
Pagina 318



**Schlüter®-BARA-RTC**  
Pagina 319



**Schlüter®-BARA-RK**  
Pagina 320



**Schlüter®-BARA-RKL**  
Pagina 321



**Schlüter®-BARA-RW**  
Pagina 322



**Schlüter®-BARA-RT**  
Pagina 323



**Schlüter®-BARA-RWL**  
Pagina 324



**Schlüter®-BARA-ESOT**  
Pagina 324



**Schlüter®-BARA-RTK**  
Pagina 326



**Schlüter®-BARA-RTKEG**  
Pagina 327



**Schlüter®-BARA-RTKE**  
Pagina 328



**Schlüter®-BARA-RTP**  
Pagina 329



**Schlüter®-BARA-RKLT**  
Pagina 330



**Schlüter®-BARIN**  
Pagina 331–332



**Schlüter®-BARA-HV**  
Pagina 333



**Schlüter®-BARA-RAP**  
Pagina 333



**Schlüter®-BARA-RHA**  
Pagina 334



**Schlüter®-BARA-FAP**  
Pagina 334

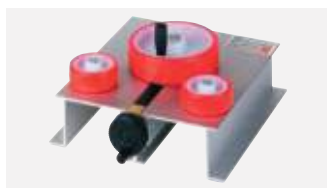


**Schlüter®-BARA-STU**  
Pagina 335

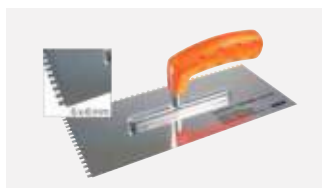
## VERWERKINGSTIPS



**Schlüter®-REMA**  
Pagina 338



**Schlüter®-RUMA**  
Pagina 338



**Schlüter®-TROWEL**  
Pagina 338



**Schlüter®-PROCUT-PSF**  
Pagina 339



**Schlüter®-PROCUT-TSM**  
Pagina 339



**Schlüter®-CLEAN-CP**  
Pagina 339



# Schlüter®-Systems

## Zo persoonlijk als onze klanten

Voor specifieke wensen zijn individuele oplossingen nodig. Schlüter-Systems biedt zijn klanten daarom talrijke mogelijkheden om projecten een eigen accent te geven. Van afvoergoten met persoonlijke gravure, profielen en planchetten met klantspecifieke coatings tot producten met een speciale print: veel van onze producten kunnen heel precies aan de wensen van ontwerpers en opdrachtgevers worden aangepast – niet alleen in grote series, maar ook in kleine oplages. Hebt u een project met specifieke wensen? De technisch adviseur van Schlüter-Systems laat u graag zien wat mogelijk is.



RAL-kleuren

*MyDesign by Schlüter-Systems*

16–24

Print

*MyDesign by Schlüter-Systems*

26–31

Gravure

*My Schlüter®-KERDI-LINE*

32–35





# MyDesign by Schlüter-Systems

## Profielen en SHELF exclusief in uw kleur

Schlüter-Systems biedt zijn klanten een breed spectrum van gekleurde coatings voor aluminium profielen aan, inclusief toebehoren en planchetten. Zo omvat bijv. het populaire Schlüter-TRENDLINE programma zeer genuanceerde kleurvarianten, waarmee in veel gevallen een discrete, qua kleur aan de tegelbekleding aangepaste randbescherming mogelijk is.

Toch kan het gebeuren dat ontwerpers of opdrachtgevers kleuren buiten het Schlüter-assortiment wensen. Dat kan bijv. het geval zijn, wanneer de corporate-design richtlijnen van bedrijven speciale kleuren voorschrijven of wanneer opdrachtgevers bijzondere ideeën willen uitvoeren.

Met MyDesign by Schlüter-Systems kunnen individuele kleurwensen worden gerealiseerd! Maak uw keuze uit maar liefst 190 tinten uit het RAL-Classic kleurenpalet om talrijke producten in de gewenste kleur te ontwerpen.

Op de volgende pagina's kunt u lezen welke producten geschikt zijn voor een individuele coating en hoe u uw bestelling kunt uitvoeren. Bij vragen over MyDesign by Schlüter-Systems staan onze technische adviseurs in de buitendienst en onze technische verkoopafdeling u graag met raad en daad bij. De contactgegevens vindt u snel op onze website. Wij verheugen ons op uw projecten in Schlüter-MyDesign.







# MyDesign by Schlüter-Systems

## Eenvoudig individueel bestellen

Welke producten voor uw MyDesign by Schlüter-Systems in RAL-kleuren in aanmerking komen, leest u op de volgende pagina's. Let op dat voor een individuele coating een eenmalig vast bedrag voor MyDesign per kleur wordt berekend. In deze kleur kunnen dan naar wens veel profielen, toebehoren en SHELF planchetten uit het MyDesign programma worden gecoat. Het vaste bedrag voor MyDesign bedraagt € 358,75 per kleur.

Om de prijs van uw individueel te coaten MyDesign-producten te bepalen, volgt u de vier stappen in het gedeelte "Prijs".

### Bestelling

In drie stappen naar het juiste artikelnummer:

- |  |                                 |
|--|---------------------------------|
| 1. Product uit het MyDesign programma selecteren                     | bijv. QUADDEC-AC (C / Q ...* A) |
| 2. Hoogte selecteren   in het Art.-Nr. aanvullen                     | bijv. 4,5 mm   C / Q 45 A       |
| 3. RAL-kleur selecteren (RAL-Classic) en bij de bestelling vermelden | bijv. RAL 6001                  |

Voor vragen of uw bestelling kunt u zich wenden tot uw verkoopmedewerker.

GEDetailleerde informatie vindt u op onze website: [qr.schluter-systems.nl/mydesign.aspx](http://qr.schluter-systems.nl/mydesign.aspx)

### Prijs

In vier stappen naar de juiste prijs:

- |  |                                   |
|--|-----------------------------------|
| 1. Selecteer de prijs van het gewenste product (profiel, toebehoren of planchet)**               |                                   |
| 2. MyDesign-meerprijs A   B  | € 3,24   € 6,47 per stuk of meter |
| 3. Vast bedrag voor MyDesign (eenmalig per kleur)  | € 358,75*                         |
| 4. Indien gewenst vindt u de toeslag voor de radiusperforatie/speciale hoeken op pagina 340-341. |                                   |

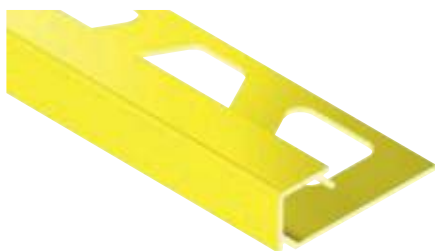
\* geen korting mogelijk

\*\* neem als referentie de prijs van het product met oppervlak alu. met kleurcoating

### Hulp bij de berekening

| 1. Product           | 2. Meerprijs         | 3. Vast bedrag       | Prijs                |
|----------------------|----------------------|----------------------|----------------------|
| <input type="text"/> | <input type="text"/> | <input type="text"/> | <input type="text"/> |
| <input type="text"/> | <input type="text"/> | <input type="text"/> | <input type="text"/> |
| <input type="text"/> | <input type="text"/> | <input type="text"/> | <input type="text"/> |
| <input type="text"/> | <input type="text"/> | <input type="text"/> | <input type="text"/> |
| <input type="text"/> | <input type="text"/> | <input type="text"/> | <input type="text"/> |
| <input type="text"/> | <input type="text"/> | <input type="text"/> | <input type="text"/> |

## Afsluitprofiel | Hoek



## Schlüter®-QUADEC-AC



Alu. met kleurcoating  
 Profielen in lengte: 2,50 m/3,00 m, hoogte: 4,5 mm, 6 mm, 8 mm, 10 mm, 11 mm, 12,5 mm  
 Binnen-/buitenhoek 90° in hoogte: 4,5 mm, 6 mm, 8 mm, 10 mm, 11 mm, 12,5 mm

| Uitvoering                                     | Art.-No.             | MyDesign-meerprijs |
|--|----------------------|--------------------|
| Profiel 2,50 m (4,5–12,5 mm)                   | C / Q ...* A         | A                  |
| Profiel 3,00 m (6–12,5 mm)                     | C / Q ...* A/300     | A                  |
| Profiel 2,50 m, radiusperforatie (4,5–12,5 mm) | C / R / Q ...* A     | A                  |
| Profiel 3,00 m, radiusperforatie (6–12,5 mm)   | C / R / Q ...* A/300 | A                  |
| Buiten-/binnenhoek 90° (4,5–12,5 mm)           | C / EV / Q ...* A    | A                  |

\* Art.-No. aanvullen met hoogte (bijv. C / Q 45 A)

Het complete productprogramma Schlüter-QUADEC-AC vindt u op pagina 61.

## Afsluitprofiel | Hoek



## Schlüter®-RONDEC-AC



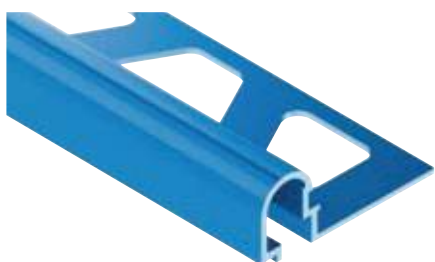
Alu. met kleurcoating  
 Profielen in lengte: 2,50 m/3,00 m, hoogte: 6 mm, 8 mm, 10 mm, 11 mm, 12,5 mm  
 Buitenhoek 90°, binnenhoek 90° in hoogte: 6 mm, 8 mm, 10 mm, 11 mm, 12,5 mm

| Uitvoering                                   | Art.-No.              | MyDesign-meerprijs |
|--|-----------------------|--------------------|
| Profiel 2,50 m (6–12,5 mm)                   | C / RO ...* A         | A                  |
| Profiel 3,00 m (6–12,5 mm)                   | C / RO ...* A/300     | A                  |
| Profiel 2,50 m, radiusperforatie (6–12,5 mm) | C / R / RO ...* A     | A                  |
| Profiel 3,00 m, radiusperforatie (6–12,5 mm) | C / R / RO ...* A/300 | A                  |
| Buitenhoek 90° (6–12,5 mm)                   | C / EV / RO ...* A    | A                  |
| Binnenhoek 90° (6–12,5 mm)                   | C / IV / RO ...* A    | A                  |

\* Art.-No. aanvullen met hoogte (bijv. C / RO 60 A)

Het complete productprogramma Schlüter-RONDEC-AC vindt u op pagina 70.

## Afsluitprofiel



## Schlüter®-RONDEC-DB-AC

Alu. met kleurcoating  
 Profielen in lengte: 2,50 m

| Uitvoering     | Art.-No.    | MyDesign-meerprijs |
|----------------|-------------|--------------------|
| Profiel 2,50 m | C / DB 14 A | A                  |

Het complete productprogramma Schlüter-RONDEC-DB vindt u op pagina 71.

## Afsluitprofiel | Hoek



## Schlüter®-JOLLY-AC



Alu. met kleurcoating  
 Profielen in lengte: 2,50 m, hoogte: 6 mm, 8 mm, 10 mm, 11 mm, 12,5 mm, 14 mm, 16 mm, 21 mm  
 Profielen in lengte: 3,00 m, hoogte: 6 mm, 8 mm, 10 mm, 11 mm, 12,5 mm  
 Buitenhoek 90° in hoogte: 6 mm, 8 mm, 10 mm, 11 mm, 12,5 mm, 14 mm, 16 mm, 21 mm

| Uitvoering                                   | Art.-No.             | MyDesign-meerprijs |
|--|----------------------|--------------------|
| Profiel 2,50 m (6–21 mm)                     | C / J ...* A         | A                  |
| Profiel 3,00 m (6–12,5 mm)                   | C / J ...* A/300     | A                  |
| Profiel 2,50 m, radiusperforatie (6–21 mm)   | C / R / J ...* A     | A                  |
| Profiel 3,00 m, radiusperforatie (6–12,5 mm) | C / R / J ...* A/300 | A                  |
| Buitenhoek 90° (6–21 mm)                     | C / EV / J ...* A    | A                  |

\* Art.-No. aanvullen met hoogte (bijv. C / J 60 A)

Het complete productprogramma Schlüter-JOLLY-AC vindt u op pagina 80.



## Afsluitprofiel | Hoek



### Schlüter®-FINEC-SQ-AC

Alu. met kleurcoating  
 Profielen in lengte: 2,50 m, hoogte: 7 mm, 9 mm, 11 mm, 12,5 mm, 15 mm  
 Buiten-/binnenhoek 90° in hoogte: 4,5 mm

| Uitvoering                      | Art.-No.        | MyDesign-meerprijs |
|---------------------------------|-----------------|--------------------|
| Profiel 2,50 m (7–15 mm)        | C / FSQ ... * A | A                  |
| Buiten-/binnenhoek 90° (4,5 mm) | C / EV / Q 45 A | A                  |

\* Art.-No. aanvullen met hoogte (bijv. C / F SQ 110 A)  
 Het complete productprogramma Schlüter-FINEC-SQ vindt u op pagina 83.

## Afsluitprofiel | Hoekset



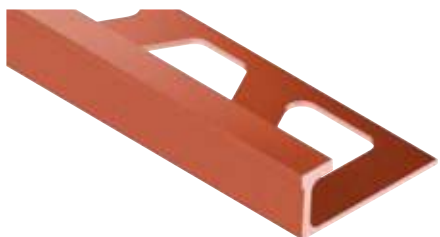
### Schlüter®-FINEC-AC

Alu. met kleurcoating  
 Profielen in lengte: 2,50 m, hoogte: 2,5 mm, 4,5 mm, 7 mm, 9 mm, 11 mm, 12,5 mm  
 Hoekset in hoogte: 2,5 mm, 4,5 mm, 7 mm, 9 mm, 11 mm, 12,5 mm

| Uitvoering                   | Art.-No.          | MyDesign-meerprijs |
|------------------------------|-------------------|--------------------|
| Profiel 2,50 m (2,5–12,5 mm) | C / F ...* A      | A                  |
| Hoekset (2,5–12,5 mm)        | C / ES / F ...* A | A                  |

\* Art.-No. aanvullen met hoogte (bijv. C / F 25 A)  
 Het complete productprogramma Schlüter-FINEC-A vindt u op pagina 86.

## Afsluitprofiel



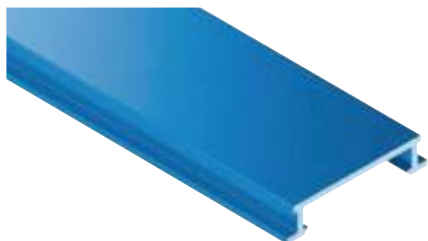
### Schlüter®-DECO-AC

Alu. met kleurcoating  
 Profielen in lengte: 2,50 m, hoogte: 8 mm, 10 mm, 12,5 mm

| Uitvoering                                   | Art.-No.         | MyDesign-meerprijs |
|--|------------------|--------------------|
| Profiel 2,50 m (8–12,5 mm)                   | C / A ...* D     | A                  |
| Profiel 2,50 m, radiusperforatie (8–12,5 mm) | C / R / A ...* D | A                  |

\* Art.-No. aanvullen met hoogte (bijv. C / A 80 D)  
 Het complete productprogramma Schlüter-DECO vindt u op pagina 87.

## Sierstrip



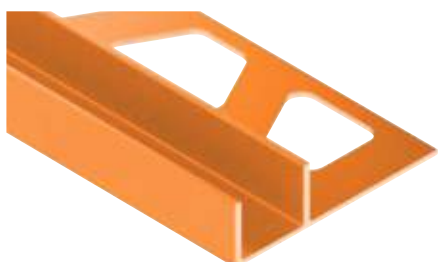
### Schlüter®-DESIGNLINE-AC

Alu. met kleurcoating  
 Profielen in lengte: 2,50 m

| Uitvoering     | Art.-No.     | MyDesign-meerprijs |
|----------------|--------------|--------------------|
| Profiel 2,50 m | C / DL 625 A | A                  |

Het complete productprogramma Schlüter-DESIGNLINE vindt u op pagina 92.

## Opnameprofiel



### Schlüter®-DECO-SG-AC

Alu. met kleurcoating, breedte = 12 mm / 15 mm  
 Profielen in lengte: 2,50 m, hoogte: 8 mm, 10 mm, 11 mm, 12,5 mm

| Uitvoering                                | Art.-No.         | MyDesign-meerprijs |
|---|------------------|--------------------|
| Profiel 2,50 m (8–12,5 mm), breedte 12 mm | C / SG ...* A 12 | A                  |
| Profiel 2,50 m (8–12,5 mm), breedte 15 mm | C / SG ...* A 15 | A                  |

\* Art.-No. aanvullen met hoogte (bijv. C / SG 80 A 12)  
 Het complete productprogramma Schlüter-DECO-SG vindt u op pagina 94.

Plintprofiel | Hoek | Eindkapje | Verbindingsstuk



**Schlüter®-DESIGNBASE-SL-AC**

Alu. met kleurcoating  
 Profielen in lengte: 2,50 m, hoogte: 60 mm, 80 mm  
 Buitenhoek 90°, binnenhoek 90°, eindkapje links, eindkapje rechts, verbindingsstuk in hoogte: 60 mm, 80 mm

| Uitvoering                  | Art.-No.              | MyDesign-meerprijs |
|-----------------------------|-----------------------|--------------------|
| Profiel 2,50 m (60–80 mm)   | C / DB SL ...* A      | A                  |
| Buitenhoek 90° (60–80 mm)   | C / ED / DB SL ...* A | A                  |
| Binnenhoek 90° (60–80 mm)   | C / ID / DB SL ...* A | A                  |
| Eindkapje links (60–80 mm)  | C / EL / DB SL ...* A | A                  |
| Eindkapje rechts (60–80 mm) | C / ER / DB SL ...* A | A                  |
| Verbindingsstuk (60–80 mm)  | C / V / DB SL ...* A  | A                  |

\* Art.-No. aanvullen met hoogte (bijv. C / DB SL 60 A)

Het complete productprogramma Schlüter-DESIGNBASE-SL-A vindt u op pagina 96–97.

Planchet



**Schlüter®-SHELF-E-S1-AC**

Alu. met kleurcoating  
 Planchet in de designs: FLORAL, CURVE, PURE, SQUARE, WAVE

| Uitvoering    | Art.-No.        | MyDesign-meerprijs |
|---------------|-----------------|--------------------|
| Design FLORAL | C / SE S1 D5 A  | B                  |
| Design CURVE  | C / SE S1 D6 A  | B                  |
| Design PURE   | C / SE S1 D7 A  | B                  |
| Design SQUARE | C / SE S1 D3 A  | B                  |
| Design WAVE   | C / SE S1 D10 A | B                  |

Het complete productprogramma Schlüter-SHELF-E-S1 vindt u op pagina 254–255.

Planchet



**Schlüter®-SHELF-E-S2-AC**

Alu. met kleurcoating  
 Planchet in de designs: FLORAL, CURVE, PURE, SQUARE, WAVE

| Uitvoering    | Art.-No.        | MyDesign-meerprijs |
|---------------|-----------------|--------------------|
| Design FLORAL | C / SE S2 D5 A  | B                  |
| Design CURVE  | C / SE S2 D6 A  | B                  |
| Design PURE   | C / SE S2 D7 A  | B                  |
| Design SQUARE | C / SE S2 D3 A  | B                  |
| Design WAVE   | C / SE S2 D10 A | B                  |

Het complete productprogramma Schlüter-SHELF-E-S2 vindt u op pagina 256–257

Planchet



**Schlüter®-SHELF-E-S3-AC**

Alu. met kleurcoating  
 Planchet in de designs: FLORAL, CURVE, PURE, SQUARE, WAVE

| Uitvoering    | Art.-No.        | MyDesign-meerprijs |
|---------------|-----------------|--------------------|
| Design FLORAL | C / SE S3 D5 A  | B                  |
| Design CURVE  | C / SE S3 D6 A  | B                  |
| Design PURE   | C / SE S3 D7 A  | B                  |
| Design SQUARE | C / SE S3 D3 A  | B                  |
| Design WAVE   | C / SE S3 D10 A | B                  |

Het complete productprogramma Schlüter-SHELF-E-S3 vindt u op pagina 258–259.



## Planchet

### Schlüter®-SHELF-N-S1-AC

Alu. met kleurcoating  
Planchet in de designs: FLORAL, CURVE, PURE, SQUARE, WAVE



| Uitvoering    | Art.-No.        | MyDesign-meerprijs |
|---------------|-----------------|--------------------|
| Design FLORAL | C / SN S1 D5 A  | B                  |
| Design CURVE  | C / SN S1 D6 A  | B                  |
| Design PURE   | C / SN S1 D7 A  | B                  |
| Design SQUARE | C / SN S1 D3 A  | B                  |
| Design WAVE   | C / SN S1 D10 A | B                  |

Het complete productprogramma Schlüter-SHELF-N vindt u op pagina 260–261.

## Planchet

### Schlüter®-SHELF-W-S1-AC

Alu. met kleurcoating  
Planchet in de designs: FLORAL, CURVE, PURE, SQUARE, WAVE



| Uitvoering    | Art.-No.        | MyDesign-meerprijs |
|---------------|-----------------|--------------------|
| Design FLORAL | C / SW S1 D5 A  | B                  |
| Design CURVE  | C / SW S1 D6 A  | B                  |
| Design PURE   | C / SW S1 D7 A  | B                  |
| Design SQUARE | C / SW S1 D3 A  | B                  |
| Design WAVE   | C / SW S1 D10 A | B                  |

Het complete productprogramma Schlüter-SHELF-W vindt u op pagina 262–263.

## Randprofiel | Hoek | Verbindingsstuk

### Schlüter®-BARA-RAK

Alu. met kleurcoating  
Profielen in lengte: 2,50 m  
Buitenhoek 90°, buitenhoek 135°, binnenhoek 90°, verbindingsstuk



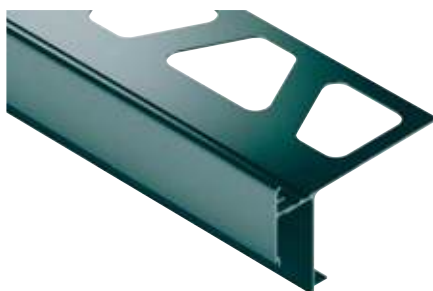
| Uitvoering          | Art.-No.            | MyDesign-meerprijs |
|---------------------|---------------------|--------------------|
| Profiel 2,50 m      | C / RAK 50 A        | B                  |
| Buitenhoek 90°      | C / E90 / RAK 50 A  | B                  |
| Buitenhoek 135°     | C / E135 / RAK 50 A | B                  |
| Speciale buitenhoek | C / ESO / RAK 50 A  | B                  |
| Binnenhoek 90°      | C / I90 / RAK 50 A  | B                  |
| Speciale binnenhoek | C / ISO / RAK 50 A  | B                  |
| Verbindingsstuk     | C / V / RT 30 A     | A                  |

Het complete productprogramma Schlüter-BARA-RAK vindt u op pagina 313.

## Randprofiel | Hoek | Verbindingsstuk

### Schlüter®-BARA-RAKEG

Alu. met kleurcoating  
Profielen in lengte: 2,50 m, hoogte: 4 mm, 10 mm, 15 mm, 18 mm, 21 mm  
Buitenhoek 90°, buitenhoek 135°, binnenhoek 90°, verbindingsstuk in hoogte: 4 mm, 10 mm, 15 mm, 18 mm, 21 mm



| Uitvoering                    | Art.-No.                | MyDesign-meerprijs |
|-------------------------------|-------------------------|--------------------|
| Profiel 2,50 m (4–21 mm)      | C / RAKEG ...* A        | B                  |
| Buitenhoek 90° (4–21 mm)      | C / E90 / RAKEG ...* A  | B                  |
| Buitenhoek 135° (4–21 mm)     | C / E135 / RAKEG ...* A | B                  |
| Speciale buitenhoek (4–21 mm) | C / ESO / RAKEG ...* A  | B                  |
| Binnenhoek 90° (4–21 mm)      | C / I90 / RAKEG ...* A  | B                  |
| Speciale binnenhoek (4–21 mm) | C / ISO / RAKEG ...* A  | B                  |
| Verbindingsstuk (4–21 mm)     | C / V / RTKE ...* A     | A                  |

\* Art.-No. aanvullen met hoogte (bijv. C / RAKEG 4 A)

Het complete productprogramma Schlüter-BARA-RAKEG vindt u op pagina 314.

## Randprofiel | Hoek | Verbindingsstuk

**Schlüter®-BARA-RAKE**

Alu. met kleurcoating

Profielen in lengte: 2,50 m, hoogte: 10 mm, 15 mm, 18 mm, 21 mm

Buitenhoek 90°, buitenhoek 135°, binnenhoek 90°, verbingsstuk in hoogte: 10 mm, 15 mm, 18 mm, 21 mm

| Uitvoering                     | Art.-No.               | MyDesign-meerprijs |
|--------------------------------|------------------------|--------------------|
| Profiel 2,50 m (10–21 mm)      | C / RAKE ...* A        | B                  |
| Buitenhoek 90° (10–21 mm)      | C / E90 / RAKE ...* A  | B                  |
| Buitenhoek 135° (10–21 mm)     | C / E135 / RAKE ...* A | B                  |
| Speciale buitenhoek (10–21 mm) | C / ESO / RAKE ...* A  | B                  |
| Binnenhoek 90° (10–21 mm)      | C / I90 / RAKE ...* A  | B                  |
| Speciale binnenhoek (10–21 mm) | C / ISO / RAKE ...* A  | B                  |
| Verbindingsstuk (10–21 mm)     | C / V / RTKE ...* A    | A                  |

\* Art.-No. aanvullen met hoogte (bijv. C / RAKE 10 A)

Het complete productprogramma Schlüter-BARA-RAKE vindt u op pagina 315.

## Randprofiel | Hoek | Verbindingsstuk

**Schlüter®-BARA-RKB**

Alu. met kleurcoating

Profielen in lengte: 2,50 m

Buitenhoek 90°, buitenhoek 135°, binnenhoek 90°, verbingsstuk

| Uitvoering          | Art.-No.           | MyDesign-meerprijs |
|---------------------|--------------------|--------------------|
| Profiel 2,50 m      | C / RKB 3 A        | B                  |
| Buitenhoek 90°      | C / E90 / RKB 3 A  | B                  |
| Buitenhoek 135°     | C / E135 / RKB 3 A | B                  |
| Speciale buitenhoek | C / ESO / RKB 3 A  | B                  |
| Binnenhoek 90°      | C / I90 / RKB 3 A  | B                  |
| Speciale binnenhoek | C / ISO / RKB 3 A  | B                  |
| Verbindingsstuk     | C / V / RKB 3 A    | A                  |

Het complete productprogramma Schlüter-BARA-RKB vindt u op pagina 316.

## Randprofiel | Hoek | Verbindingsstuk

**Schlüter®-BARA-RKK**

Alu. met kleurcoating

Profielen in lengte: 2,50 m, hoogte: 10 mm, 15 mm, 18 mm

Buitenhoek 90°, buitenhoek 135°, binnenhoek 90°, verbingsstuk in hoogte: 10 mm, 15 mm, 18 mm

| Uitvoering                     | Art.-No.              | MyDesign-meerprijs |
|--------------------------------|-----------------------|--------------------|
| Profiel 2,50 m (10–18 mm)      | C / RKK ...* A        | B                  |
| Buitenhoek 90° (10–18 mm)      | C / E90 / RKK ...* A  | B                  |
| Buitenhoek 135° (10–18 mm)     | C / E135 / RKK ...* A | B                  |
| Speciale buitenhoek (10–18 mm) | C / ESO / RKK ...* A  | B                  |
| Binnenhoek 90° (10–18 mm)      | C / I90 / RKK ...* A  | B                  |
| Speciale binnenhoek (10–18 mm) | C / ISO / RKK ...* A  | B                  |
| Verbindingsstuk (10–18 mm)     | C / V / RKK ...* A    | A                  |

\* Art.-No. aanvullen met hoogte (bijv. C / RKK 10 A)

Het complete productprogramma Schlüter-BARA-RKK vindt u op pagina 317.



## Randprofiel | Hoek | Verbindingsstuk



### Schlüter®-BARA-RKKE

Alu. met kleurcoating

Profielen in lengte: 2,50 m, hoogte: 8 mm, 10 mm, 15 mm, 18 mm, 21 mm, 23 mm

Buitenhoek 90°, buitenhoek 135°, binnenhoek 90°, verbindingstuk in hoogte: 8 mm, 10 mm, 15 mm, 18 mm, 21 mm, 23 mm

| Uitvoering                    | Art.-No.               | MyDesign-meerprijs |
|-------------------------------|------------------------|--------------------|
| Profiel 2,50 m (8–23 mm)      | C / RKKE ...* A        | B                  |
| Buitenhoek 90° (8–23 mm)      | C / E90 / RKKE ...* A  | B                  |
| Buitenhoek 135° (8–23 mm)     | C / E135 / RKKE ...* A | B                  |
| Speciale buitenhoek (8–23 mm) | C / ESO / RKKE ...* A  | B                  |
| Binnenhoek 90° (8–23 mm)      | C / I90 / RKKE ...* A  | B                  |
| Speciale binnenhoek (8–23 mm) | C / ISO / RKKE ...* A  | B                  |
| Verbindingsstuk (8–23 mm)     | C / V / RKK ...* A     | A                  |

\* Art.-No. aanvullen met hoogte (bijv. C / RKKE 8 A)

Het complete productprogramma Schlüter-BARA-RKKE vindt u op pagina 318.

## Randprofiel | Hoek | Verbindingsstuk



### Schlüter®-BARA-RTC



Alu. met kleurcoating

Profielen in lengte: 2,50 m, hoogte: 20 mm, hoogte 1: 20 mm, 40 mm, 50 mm, 60 mm, 80 mm, 100 mm

Buitenhoek 90°, verbindingstuk

| Uitvoering                      | Art.-No.                  | MyDesign-meerprijs |
|---------------------------------|---------------------------|--------------------|
| Profiel 2,50 m (20–100 mm)      | C / RTC 20 / ...* A       | B                  |
| Buitenhoek 90° (20–100 mm)      | C / E90 / RTC 20 / ...* A | B                  |
| Speciale buitenhoek (20–100 mm) | C / ESO / RTC 20 / ...* A | B                  |
| Verbindingsstuk (20–100 mm)     | C / V / RTC 20 / ...* A   | A                  |

\* Art.-No. aanvullen met hoogte (bijv. C / RTC 20 / 60 A)

Het complete productprogramma Schlüter-BARA-RTC vindt u op pagina 319.

## Randprofiel | Hoek | Verbindingsstuk



### Schlüter®-BARA-RK

Alu. met kleurcoating

Profielen in lengte: 2,50 m

Buitenhoek 90°, buitenhoek 135°, binnenhoek 90°, verbindingstuk

| Uitvoering          | Art.-No.           | MyDesign-meerprijs |
|---------------------|--------------------|--------------------|
| Profiel 2,50 m      | C / RK 65 A        | B                  |
| Buitenhoek 90°      | C / E90 / RK 65 A  | B                  |
| Buitenhoek 135°     | C / E135 / RK 65 A | B                  |
| Speciale buitenhoek | C / ESO / RK 65 A  | B                  |
| Binnenhoek 90°      | C / I90 / RK 65 A  | B                  |
| Speciale binnenhoek | C / ISO / RK 65 A  | B                  |
| Verbindingsstuk     | C / V / RK 65 A    | A                  |

Het complete productprogramma Schlüter-BARA-RK vindt u op pagina 320.

## Randprofiel | Hoek | Verbindingsstuk

**Schlüter®-BARA-RKL**

Alu. met kleurcoating

Profielen in lengte: 2,50 m, hoogte: 30 mm, 35 mm, 40 mm, 50 mm, 75 mm

Buitenhoek 90°, buitenhoek 135°, binnenhoek 90°, verbindingstuk in hoogte: 30 mm, 35 mm, 40 mm, 50 mm, 75 mm

| Uitvoering                     | Art.-No.              | MyDesign-meerprijs |
|--------------------------------|-----------------------|--------------------|
| Profiel 2,50 m (30–75 mm)      | C / RKL ...* A        | B                  |
| Buitenhoek 90° (30–75 mm)      | C / E90 / RKL ...* A  | B                  |
| Buitenhoek 135° (30–75 mm)     | C / E135 / RKL ...* A | B                  |
| Speciale buitenhoek (30–75 mm) | C / ESO / RKL ...* A  | B                  |
| Binnenhoek 90° (30–75 mm)      | C / I90 / RKL ...* A  | B                  |
| Speciale binnenhoek (30–75 mm) | C / ISO / RKL ...* A  | B                  |
| Verbindingsstuk (30–75 mm)     | C / V / RKL ...* A    | A                  |

\* Art.-No. aanvullen met hoogte (bijv. C / RKL 30 A)

Het complete productprogramma Schlüter-BARA-RKL vindt u op pagina 321.



# MyDesign by Schlüter-Systems

## Wij printen uw favoriete design op profielen

De nieuwste printtechniek is tegenwoordig een bepalende factor bij de tegelproductie en maakt een authentieke houtlook of marmerlook mogelijk. Dit biedt ontwerpers de kans om hun creativiteit de vrije loop te laten.

Schlüter-Systems heeft met het structuur-gecoate TRENDLINE assortiment al de best mogelijke onderlinge afstemming tussen profiel en tegel bereikt. Met MyDesign by Schlüter-Systems gaan we nog een stap verder: favoriete profielen kunnen door middel van de modernste printtechniek optimaal aan het design van de tegels worden aangepast. Zo wordt een effectieve randbescherming perfect en harmonisch in het tegeloppervlak geïntegreerd.

Als u daarnaast in de plinten of wanden een accent wilt aanbrengen, is het door deze technologie mogelijk om een motief naar wens (bijv. een dessin, bedrijfslogo, enz.) te laten printen en zo een persoonlijke touch toe te voegen.

Welke manier u ook kiest, met de innovatieve printtechniek van Schlüter-Systems bent u qua design van bekledingen met profielen iedereen een stap voor.

Op de volgende pagina's kunt u lezen welke profielen geschikt zijn voor een individuele opdruk en hoe u uw bestelling kunt uitvoeren. Bij vragen over MyDesign by Schlüter-Systems staan onze technische adviseurs in de buitendienst en onze technische verkoopafdeling u graag met raad en daad bij. De contactgegevens vindt u snel op onze website. Wij verheugen ons op uw projecten in Schlüter-MyDesign.





# MyDesign by Schlüter-Systems

## Eenvoudig individueel bestellen

Welke producten voor uw MyDesign by Schlüter-Systems met een individuele print in aanmerking komen, leest u op de volgende pagina's. Let op dat voor een individuele print een eenmalig vast bedrag voor MyDesign per motief wordt berekend. Met dit motief kunnen naar wens veel profielen en toebehoren uit het MyDesign programma van een print worden voorzien. Het vaste bedrag voor MyDesign bedraagt € 461,25 per motief.

Om de prijs van uw MyDesign-producten met individuele opdruk te bepalen, volgt u de vier stappen in het gedeelte "Prijs".

### Bestelling

In vijf stappen naar het gewenste product:

1. **Profiel uit het MyDesign programma selecteren**      bijv. **QUADEC-AC (C / Q ...\* DP)**
2. **Hoogte selecteren | in het Art.-Nr. aanvullen**      bijv. **6 mm | C / Q 60 DP**
3. **Hoek, eindkapje of verbindingstuk selecteren**      bijv. **C / EV / Q 60 DP**
4. **Stuur een tegelmonster of een bestand met gewenst motief op**
5. **Geef de drukproef vrij**

Voor vragen of uw bestelling kunt u zich wenden tot uw verkoopmedewerker.  
Gedetailleerde informatie vindt u op onze website: [qr.schluter-systems.nl/mydesign.aspx](http://qr.schluter-systems.nl/mydesign.aspx)

### Prijs

In vier stappen naar de juiste prijs:

1. **Selecteer de prijs van het gewenste profiel\*\***
2. **MyDesign-meerprijs C**      € 16,91 per meter
3. **Prijs van de gewenste hoeken, eindkapjes of verbindingstukken**      vast bedrag € 29,21 per stuk
4. **Vast bedrag voor MyDesign (eenmalig per motief)**      € 461,25\*

\* geen korting mogelijk

\*\* neem als referentie de prijs van het product met oppervlak alu. met kleurcoating

### Hulp bij de berekening

| 1. Product           | 2. Meerprijs         | 3. Toebehoren        | 4. Vast bedrag       | Prijs                |
|----------------------|----------------------|----------------------|----------------------|----------------------|
| <input type="text"/> | <input type="text"/> | <input type="text"/> | <input type="text"/> | <input type="text"/> |
| <input type="text"/> | <input type="text"/> | <input type="text"/> | <input type="text"/> | <input type="text"/> |
| <input type="text"/> | <input type="text"/> | <input type="text"/> | <input type="text"/> | <input type="text"/> |
| <input type="text"/> | <input type="text"/> | <input type="text"/> | <input type="text"/> | <input type="text"/> |
| <input type="text"/> | <input type="text"/> | <input type="text"/> | <input type="text"/> | <input type="text"/> |
| <input type="text"/> | <input type="text"/> | <input type="text"/> | <input type="text"/> | <input type="text"/> |

## Afsluitprofiel | Hoek


**Schlüter®-QUADEC-AC**

Alu. met kleurcoating

Profielen in lengte: 2,50 m/3,00 m, hoogte: 6 mm, 8 mm, 10 mm, 11 mm, 12,5 mm

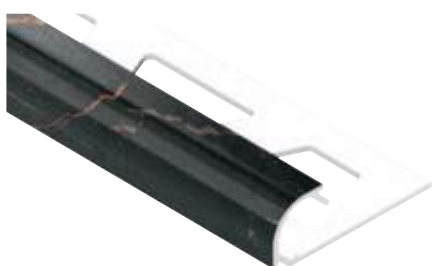
Buiten-/binnenhoek 90° in hoogte: 6 mm, 8 mm, 10 mm, 11 mm, 12,5 mm

| Uitvoering                         | Art.-No.           | MyDesign-meerprijs |
|------------------------------------|--------------------|--------------------|
| Profiel 2,50 m (6–12,5 mm)         | C / Q ...* DP      | C                  |
| Profiel 3,00 m (6–12,5 mm)         | C / Q ...* DP/300  | C                  |
| Buiten-/binnenhoek 90° (6–12,5 mm) | C / EV / Q ...* DP | Vast bedrag        |

\* Art.-No. aanvullen met hoogte (bijv. C / Q 60 DP)

Het complete productprogramma Schlüter-QUADEC-AC vindt u op pagina 61.

## Afsluitprofiel | Hoek


**Schlüter®-RONDEC-AC**

Alu. met kleurcoating

Profielen in lengte: 2,50 m/3,00 m, hoogte: 6 mm, 8 mm, 10 mm, 11 mm, 12,5 mm

Buitenhoek 90°, binnenhoek 90° in hoogte: 6 mm, 8 mm, 10 mm, 11 mm, 12,5 mm

| Uitvoering                 | Art.-No.            | MyDesign-meerprijs |
|----------------------------|---------------------|--------------------|
| Profiel 2,50 m (6–12,5 mm) | C / RO ...* DP      | C                  |
| Profiel 3,00 m (6–12,5 mm) | C / RO ...* DP/300  | C                  |
| Buitenhoek 90° (6–12,5 mm) | C / EV / ...* DP    | Vast bedrag        |
| Binnenhoek 90° (6–12,5 mm) | C / IV / RO ...* DP | Vast bedrag        |

\* Art.-No. aanvullen met hoogte (bijv. C / RO 60 DP)

Het complete productprogramma Schlüter-RONDEC-AC vindt u op pagina 70.

## Afsluitprofiel | Hoek


**Schlüter®-JOLLY-AC**

Alu. met kleurcoating

Profielen in lengte: 2,50 m/3,00 m, hoogte: 6 mm, 8 mm, 10 mm, 11 mm, 12,5 mm

Buitenhoek 90° in hoogte: 6 mm, 8 mm, 10 mm, 11 mm, 12,5 mm

| Uitvoering                 | Art.-No.           | MyDesign-meerprijs |
|----------------------------|--------------------|--------------------|
| Profiel 2,50 m (6–12,5 mm) | C / J ...* DP      | C                  |
| Profiel 3,00 m (6–12,5 mm) | C / J ...* DP/300  | C                  |
| Buitenhoek 90° (6–12,5 mm) | C / EV / J ...* DP | Vast bedrag        |

\* Art.-No. aanvullen met hoogte (bijv. C / J 60 DP)

Het complete productprogramma Schlüter-JOLLY-AC vindt u op pagina 80.

i

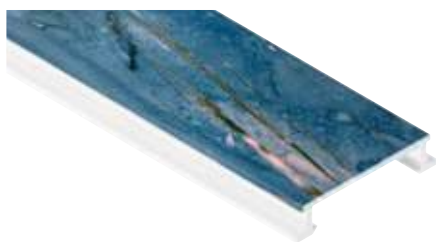
De hier weergegeven oppervlakken zijn voorbeelden en dienen als illustratie.

## Individueel en robuust

De kwaliteit van onze geprinte profielen wordt voortdurend gecontroleerd. Met slijtage-, buig- en snijtests, UV-bestendigheid, temperatuurwisseling of belasting door zout water of chemische stoffen: wij zorgen ervoor dat onze MyDesign-profielen aan de hoogste eisen voldoen.



## Sierstrip



### Schlüter®-DESIGNLINE-AC

Alu. met kleurcoating  
Profielen in lengte: 2,50 m

| Uitvoering     | Art.-No.      | MyDesign-meerprijs |
|----------------|---------------|--------------------|
| Profiel 2,50 m | C / DL 625 DP | C                  |

Het complete productprogramma Schlüter-DESIGNLINE vindt u op pagina 92.

## Plintprofiel | Hoek | Eindkapje | Verbindingsstuk



### Schlüter®-DESIGNBASE-SL-AC

Alu. met kleurcoating  
Profielen in lengte: 2,50 m, hoogte: 60 mm  
Buitenhoek 90°, binnenhoek 90°, eindkapje links, eindkapje rechts, verbindingsstuk in hoogte: 60 mm

| Uitvoering               | Art.-No.             | MyDesign-meerprijs |
|--------------------------|----------------------|--------------------|
| Profiel 2,50 m (60 mm)   | C / DB SL 60 DP      | C                  |
| Buitenhoek 90° (60 mm)   | C / ED / DB SL 60 DP | Vast bedrag        |
| Binnenhoek 90° (60 mm)   | C / ID / DB SL 60 DP | Vast bedrag        |
| Eindkapje links (60 mm)  | C / EL / DB SL 60 DP | Vast bedrag        |
| Eindkapje rechts (60 mm) | C / ER / DB SL 60 DP | Vast bedrag        |
| Verbindingsstuk (60 mm)  | C / V / DB SL 60 DP  | Vast bedrag        |

Het complete productprogramma Schlüter-DESIGNBASE-SL-A vindt u op pagina 96–97.

## Afsluitprofiel | Hoek



### Schlüter®-RONDEC-STEP-AC

Alu. met kleurcoating  
Profielen in lengte: 2,50 m, hoogte: 8 mm, 10 mm, 12,5 mm  
Buitenhoek 90°, buitenhoek 135°, binnenhoek 90°, binnenhoek 135° in hoogte: 8 mm, 10 mm, 12,5 mm

| Uitvoering                  | Art.-No.               | MyDesign-meerprijs |
|-----------------------------|------------------------|--------------------|
| Profiel 2,50 m (8–12,5 mm)  | C / RS ...* DP 39      | C                  |
| Buitenhoek 90° (8–12,5 mm)  | C / E90 RS ...* DP 39  | Vast bedrag        |
| Buitenhoek 135° (8–12,5 mm) | C / E135 RS ...* DP 39 | Vast bedrag        |
| Binnenhoek 90° (8–12,5 mm)  | C / I90 RS ...* DP 39  | Vast bedrag        |
| Binnenhoek 135° (8–12,5 mm) | C / I135 RS ...* DP 39 | Vast bedrag        |

\* Art.-No. aanvullen met hoogte (bijv. C / RS 80 DP 39)

Het complete productprogramma Schlüter-RONDEC-STEP vindt u op pagina 98.

i

De hier weergegeven oppervlakken zijn voorbeelden en dienen als illustratie.

## Holplintprofiel | Hoek | Eindkapje

**Schlüter®-DILEX-AHK-AC**

Alu. met kleurcoating  
 Profielen in lengte: 2,50 m, hoogte: 8 mm, 10 mm, 12,5 mm  
 Buitenhoek 90°, buitenhoek 135°, binnenhoek 90°, binnenhoek 135°, eindkapje

| Uitvoering                          | Art.-No.                | MyDesign-meerprijs |
|-------------------------------------|-------------------------|--------------------|
| Profiel 2,50 m (8–12,5 mm)          | C / AHK 1S ...* DP      | C                  |
| Buitenhoek 90° (RONDEC-aansluiting) | C / E90 / AHK 1S / DP   | Vast bedrag        |
| Buitenhoek 90° (QUADEC-aansluiting) | C / E90 Q / AHK 1S / DP | Vast bedrag        |
| Buitenhoek 135°                     | C / E135 / AHK 1S / DP  | Vast bedrag        |
| Binnenhoek 90°                      | C / I90 / AHK 1S / DP   | Vast bedrag        |
| Binnenhoek 135°                     | C / I135 / AHK 1S / DP  | Vast bedrag        |
| Eindkapje                           | C / E / AHK 1S / DP     | Vast bedrag        |

\* Art.-No. aanvullen met hoogte (bijv. C / AHK 1S 80 DP)

Het complete productprogramma Schlüter-DILEX-AHK vindt u op pagina 141–142.

## Holplintprofiel | Hoek | Eindkapje

**Schlüter®-DILEX-AHKA-AC**

Alu. met kleurcoating  
 Profielen in lengte: 2,50 m, hoogte: 8 mm, 10 mm, 12,5 mm, 15 mm  
 Buitenhoek 90°, buitenhoek 135°, binnenhoek 90°, binnenhoek 135°, eindkapje links, eindkapje rechts

| Uitvoering               | Art.-No.             | MyDesign-meerprijs |
|--------------------------|----------------------|--------------------|
| Profiel 2,50 m (8–15 mm) | C / AHKA ...* DP     | C                  |
| Buitenhoek 90°           | C / E90 / AHKA / DP  | Vast bedrag        |
| Buitenhoek 135°          | C / E135 / AHKA / DP | Vast bedrag        |
| Binnenhoek 90°           | C / I90 / AHKA / DP  | Vast bedrag        |
| Binnenhoek 135°          | C / I135 / AHKA / DP | Vast bedrag        |
| Eindkapje links          | C / EL / AHKA / DP   | Vast bedrag        |
| Eindkapje rechts         | C / ER / AHKA / DP   | Vast bedrag        |

\* Art.-No. aanvullen met hoogte (bijv. C / AHKA 80 DP)

Het complete productprogramma Schlüter-DILEX-AHKA vindt u op pagina 142–143.

i

De hier weergegeven oppervlakken zijn voorbeelden en dienen als illustratie.



# My Schlüter®-KERDI-LINE

## Individuele gravure op rooster en frame

Naast de gekleurde coatings en prints uit het aanbod van MyDesign by Schlüter-Systems biedt de gravure nog een mogelijkheid om Schlüter-producten te personaliseren. Met de moderne lasermethode kunnen roestvaststalen roosters en frames uit het KERDI-LINE programma van een gravure worden voorzien. Zet accenten in uw ontwerp met tekens, afbeeldingen of teksten, onderstreep de identiteit van uw merk of zorg 's ochtends voor een glimlach.

Het hotel die de gasten onder de douche eraan wil herinneren waar ze zich thuis voelen; de vakman die naast de fabrikant in herinnering wil blijven; de ouders die hun kinderen elke ochtend vriendelijk willen begroeten. Met Schlüter-KERDI-LINE kunt u uw douche personaliseren. Ontdek de mogelijkheden.



**YOUR  
BRAND**





# My Schlüter®-KERDI-LINE

## Eenvoudig individueel bestellen

Welke producten voor uw individuele My Schlüter-KERDI-LINE gravure in aanmerking komen, leest u op de volgende pagina. Met My Schlüter-KERDI-LINE kunt u het rooster en/of frame van uw lijnafvoergoot KERDI-LINE-A/-B/-C met een gravure personaliseren.

Op de pagina hiernaast vindt u de toeslagen voor het graveren die passen bij de rooster-/framecombinaties op pagina's 211–213.

Om de prijs van uw individuele gravure te bepalen, volgt u de twee stappen in het gedeelte "Prijs".



## Bestelling

**In drie stappen naar het juiste artikelnummer:**

1. Product uit het My KERDI-LINE programma selecteren
2. Gewenste gravure selecteren
3. Vul Art.-Nr. aan met type gravure

bijv. KERDI-LINE-A (KLA 19 EB 100)

bijv. oppervlakte gravure (G1)

bijv. KLA 19 EB 100 G1

Voor vragen of uw bestelling kunt u zich wenden tot uw verkoopmedewerker.

## Prijs

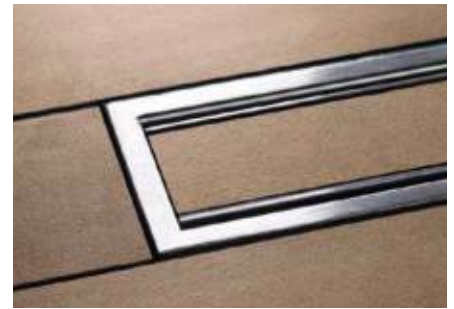
**In twee stappen naar de juiste prijs:**

1. Selecteer de prijs van de gewenste rooster-/framecombinatie
2. Selecteer de My KERDI-LINE toeslag

### Opmerking:

My Schlüter-KERDI-LINE gravures zijn niet mogelijk op hoogglans gepolijste of kleurgecoate roosters/frames, noch op Schlüter-KERDI-LINE-STYLE roosters.

## Rooster-/framecombinatie



### Schlüter®-KERDI-LINE-A 19 mm

met oppervlakte gravure alleen op het rooster (G1)

| Art.-No. | Toeslag € / St. |
|----------|-----------------|
| ...* G1  | <b>60,01</b>    |

met getinte gravure alleen op het rooster (G2)

| Art.-No. | Toeslag € / St. |
|----------|-----------------|
| ...* G2  | <b>73,37</b>    |

met raster gravure alleen op het rooster (G3)

| Art.-No. | Toeslag € / St. |
|----------|-----------------|
| ...* G3  | <b>40,02</b>    |

met oppervlakte gravure op rooster + raster gravure op frame (G1R)

| Art.-No. | Toeslag € / St. |
|----------|-----------------|
| ...* G1R | <b>96,71</b>    |

met getinte gravure op rooster + raster gravure op frame (G2R)

| Art.-No. | Toeslag € / St. |
|----------|-----------------|
| ...* G2R | <b>110,05</b>   |

met raster gravure op rooster en frame (G3R)

| Art.-No. | Toeslag € / St. |
|----------|-----------------|
| ...* G3R | <b>76,70</b>    |

met raster gravure alleen op het frame (GR)

| Art.-No. | Toeslag € / St. |
|----------|-----------------|
| ...* GR  | <b>38,72</b>    |

\* Art.-No. aanvullen (bijv. KLA 19 EB 70 G1R)

### Schlüter®-KERDI-LINE-B 19 mm

met raster gravure alleen op het frame (GR)

| Art.-No. | Toeslag € / St. |
|----------|-----------------|
| ...* GR  | <b>38,72</b>    |

### Schlüter®-KERDI-LINE-C 19 mm

met raster gravure alleen op het frame (GR)

| Art.-No. | Toeslag € / St. |
|----------|-----------------|
| ...* GR  | <b>38,72</b>    |





# Schlüter-profielen

## Bekledingsafsluitingen op de vloer

De afsluitprofielen, zoals de originele Schlüter-SCHIENE, grenzen tegel- en natuursteenbekledingen af en beschermen de buitenranden ervan tegen mechanische beschadigingen. Schlüter-RENO-profielen creëren een traploze overgang naar alle aangrenzende vloerbekledingen. Onze afsluitprofielen zijn op deze wijze de "finishing touch" van de vloerbekleding.





## Afsluitprofielen

|                         |    |
|-------------------------|----|
| Schlüter®-SCHIENE       | 39 |
| Schlüter®-SCHIENE-TS    | 41 |
| Schlüter®-SCHIENE-A     | 42 |
| Schlüter®-SCHIENE-AC    | 43 |
| Schlüter®-SCHIENE-ES    | 44 |
| Schlüter®-SCHIENE-BASIC | 45 |
| Schlüter®-SCHIENE-V     | 45 |

## Overgangsprofielen

|                       |    |
|-----------------------|----|
| Schlüter®-RENO-TK     | 46 |
| Schlüter®-RENO-V      | 47 |
| Schlüter®-RENO-VT     | 48 |
| Schlüter®-RENO-VB     | 48 |
| Schlüter®-RENO-U      | 49 |
| Schlüter®-RENO-RAMP   | 50 |
| Schlüter®-RENO-RAMP-K | 50 |
| Schlüter®-RENO-T      | 51 |

## Scheidingsprofielen

|                    |    |
|--------------------|----|
| Schlüter®-TERRAZZO | 51 |
|--------------------|----|

## Hoekprofielen

|                  |    |
|------------------|----|
| Schlüter®-WINKEL | 48 |
|------------------|----|



# Schlüter®-SCHIENE

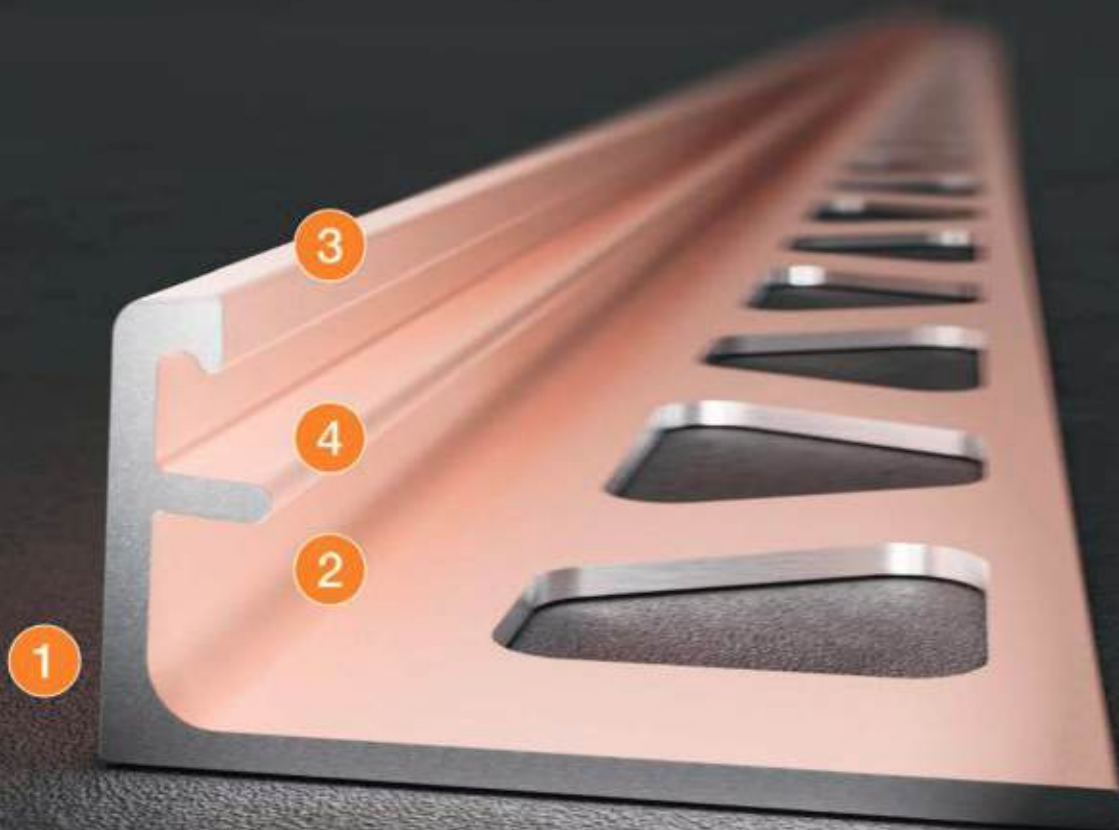
Het origineel sinds 1975

Al 50 jaar vertrouwen tegelzetters op Schlüter-SCHIENE om het resultaat van hun werk te beschermen. Ons meest bekende product werd in 1975 door meester-tegelzetter Werner Schlüter ontwikkeld uit de praktijk en biedt ook vandaag nog de perfecte randbescherming dankzij de bijzondere vormkenmerken:

- 1 Afsluitvlak onder een hoek van 87° voor een optimale lastoverdracht
- 2 Hoog belastbaar
- 3 Versterkt kopstuk met hoek van 5°
- 4 Gepatenteerde voegrib

Het zijn de details die het verschil maken.

Of het nu in messing, aluminium, roestvast staal, verchroomd of kleurgecoat is, wij leveren de passende SCHIENE voor uw werk. En in de hoogte die u nodig hebt. Onmiddellijk.



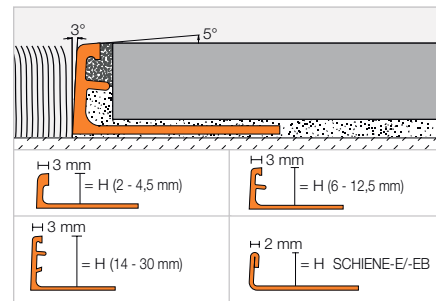
## Afsluitprofiel

## Schlüter®-SCHIENE



Schlüter-SCHIENE is een speciaal profiel ter bescherming en als decoratie voor de begrenzing van tegelvloeren, maar kan ook uitstekend worden toegepast voor andere vloerbekledingsmaterialen en toepassingen. Dankzij het voegribje wordt een vaste voegafstand tot de tegel bepaald. Schlüter-SCHIENE-E heeft geen voegribje.

(Productdatablad 1.1)



## Schlüter®-SCHIENE-M



Messing

| H (mm) | L = 2,50 m<br>Art.-No. | € / m | KV (st.) |
|--------|------------------------|-------|----------|
| –      | –                      | –     | –        |
| 3      | M 30                   | 9,38  | 120      |
| 4,5    | M 45                   | 9,38  | 120      |
| 6      | M 60                   | 9,52  | 120      |
| –      | –                      | –     | –        |
| 8      | M 80                   | 10,13 | 120      |
| 9      | M 90                   | 10,50 | 120      |
| 10     | M 100                  | 10,67 | 120      |
| 11     | M 110                  | 11,56 | 120      |
| 12,5   | M 125                  | 11,79 | 120      |
| –      | –                      | –     | –        |
| 15     | M 150                  | 12,67 | 120      |
| 16     | M 160                  | 13,78 | 120      |
| 17,5   | M 175                  | 14,07 | 120      |
| 20     | M 200                  | 14,81 | 120      |
| –      | –                      | –     | –        |
| 22,5   | M 225                  | 17,44 | 120      |
| 25     | M 250                  | 18,54 | 120      |
| –      | –                      | –     | –        |
| 30     | M 300                  | 20,52 | 120      |
|        | L = 1,00 m             |       |          |
| 4,5    | M 45/100               | 9,97  | 240      |
| 6      | M 60/100               | 10,13 | 240      |
| 8      | M 80/100               | 10,74 | 240      |
| 10     | M 100/100              | 11,29 | 240      |
| 12,5   | M 125/100              | 12,39 | 240      |
| 15     | M 150/100              | 13,27 | 240      |

## Schlüter®-SCHIENE-A



Aluminium

| H (mm) | L = 2,50 m<br>Art.-No. | € / m | KV (st.) |
|--------|------------------------|-------|----------|
| 2      | A 20                   | 3,92  | 120      |
| 3      | A 30                   | 3,92  | 120      |
| 4,5    | A 45                   | 3,92  | 120      |
| 6      | A 60                   | 3,92  | 120      |
| 7      | A 70                   | 4,00  | 120      |
| 8      | A 80                   | 4,07  | 120      |
| 9      | A 90                   | 4,14  | 120      |
| 10     | A 100                  | 4,22  | 120      |
| 11     | A 110                  | 4,52  | 120      |
| 12,5   | A 125                  | 4,77  | 120      |
| 14     | A 140                  | 5,11  | 120      |
| 15     | A 150                  | 5,40  | 120      |
| 16     | A 160                  | 5,68  | 120      |
| 17,5   | A 175                  | 6,01  | 120      |
| 20     | A 200                  | 6,18  | 120      |
| 21     | A 210                  | 6,52  | 120      |
| 22,5   | A 225                  | 6,84  | 120      |
| 25     | A 250                  | 7,13  | 120      |
| 27,5   | A 275                  | 7,46  | 120      |
| 30     | A 300                  | 7,83  | 120      |
|        | L = 1,00 m             |       |          |
| 4,5    | A 45/100               | 4,52  | 240      |
| 6      | A 60/100               | 4,52  | 240      |
| 8      | A 80/100               | 4,67  | 240      |
| 10     | A 100/100              | 4,87  | 240      |
| 12,5   | A 125/100              | 5,40  | 240      |
| 15     | A 150/100              | 6,01  | 240      |

## Schlüter®-SCHIENE-AE



Alu. bruut mat geanodiseerd

| H (mm) | L = 2,50 m<br>Art.-No. | € / m | KV (st.) |
|--------|------------------------|-------|----------|
| 2      | AE 20                  | 5,40  | 120      |
| 3      | AE 30                  | 5,40  | 120      |
| 4,5    | AE 45                  | 5,46  | 120      |
| 6      | AE 60                  | 5,68  | 120      |
| 7      | AE 70                  | 5,84  | 120      |
| 8      | AE 80                  | 5,92  | 120      |
| 9      | AE 90                  | 6,18  | 120      |
| 10     | AE 100                 | 6,31  | 120      |
| 11     | AE 110                 | 6,72  | 120      |
| 12,5   | AE 125                 | 6,99  | 120      |
| 14     | AE 140                 | 7,46  | 120      |
| 15     | AE 150                 | 7,70  | 120      |
| 16     | AE 160                 | 8,24  | 120      |
| 17,5   | AE 175                 | 8,38  | 120      |
| 20     | AE 200                 | 9,46  | 120      |
| 21     | AE 210                 | 9,90  | 120      |
| 22,5   | AE 225                 | 10,05 | 120      |
| 25     | AE 250                 | 10,43 | 120      |
| 27,5   | AE 275                 | 10,87 | 120      |
| 30     | AE 300                 | 11,50 | 120      |
|        | L = 1,00 m             |       |          |
| 4,5    | AE 45/100              | 6,02  | 240      |
| 6      | AE 60/100              | 6,23  | 240      |
| 8      | AE 80/100              | 6,52  | 240      |
| 10     | AE 100/100             | 6,93  | 240      |
| 12,5   | AE 125/100             | 7,69  | 240      |
| 15     | AE 150/100             | 8,50  | 240      |

## Schlüter®-SCHIENE-MC



Messing verchromd

| H (mm) | L = 2,50 m<br>Art.-No. | € / m | KV (st.) |
|--------|------------------------|-------|----------|
| 6      | MC 60                  | 30,89 | 120      |
| 8      | MC 80                  | 32,01 | 120      |
| 10     | MC 100                 | 32,39 | 120      |
| 11     | MC 110                 | 32,62 | 120      |
| 12,5   | MC 125                 | 32,89 | 120      |

## Opmerking:

Schlüter-SCHIENE-M / -A / -AE in 2 mm, 3 mm en 4,5 mm hebben geen voegribje.

Om productietechnische redenen kunnen producten met L = 1,00 m niet worden voorzien van een speciale perforatie.

Voor 3 m lengte Art.-No. "/300" aanvullen (bijv. M 60/300).





### Schlüter®-SCHIENE-E



Roestvast staal V2A

| H (mm) | L = 2,50 m<br>Art.-No. | € / m        | KV (st.) |
|--------|------------------------|--------------|----------|
| 2      | E 20                   | <b>9,87</b>  | 120      |
| 3      | E 30                   | <b>10,26</b> | 120      |
| 4,5    | E 45                   | <b>11,10</b> | 120      |
| 6      | E 60                   | <b>11,47</b> | 120      |
| 7      | E 70                   | <b>11,76</b> | 120      |
| 8      | E 80                   | <b>11,86</b> | 120      |
| 9      | E 90                   | <b>12,23</b> | 120      |
| 10     | E 100                  | <b>12,46</b> | 120      |
| 11     | E 110                  | <b>13,16</b> | 120      |
| 12,5   | E 125                  | <b>13,58</b> | 120      |
| 14     | E 140                  | <b>14,23</b> | 120      |
| 15     | E 150                  | <b>14,89</b> | 120      |
| 16     | E 160                  | <b>15,49</b> | 120      |
| 17,5   | E 175                  | <b>15,87</b> | 120      |
| 20     | E 200                  | <b>16,42</b> | 120      |
| 22,5   | E 225                  | <b>17,17</b> | 120      |
| 25     | E 250                  | <b>18,08</b> | 120      |
| 30     | E 300                  | <b>19,15</b> | 120      |
|        | <b>L = 1,00 m</b>      |              |          |
| 6      | E 60 / 100             | <b>12,15</b> | 240      |
| 8      | E 80 / 100             | <b>12,46</b> | 240      |
| 10     | E 100 / 100            | <b>13,09</b> | 240      |
| 11     | E 110 / 100            | <b>13,80</b> | 240      |
| 12,5   | E 125 / 100            | <b>14,25</b> | 240      |

### Schlüter®-SCHIENE-E V4A



Roestvast staal V4A

| H (mm) | L = 2,50 m<br>Art.-No. | € / m        | KV (st.) |
|--------|------------------------|--------------|----------|
| 4,5    | E 45/V4A               | <b>12,28</b> | 120      |
| 6      | E 60/V4A               | <b>12,87</b> | 120      |
| 8      | E 80/V4A               | <b>13,11</b> | 120      |
| 10     | E 100/V4A              | <b>13,81</b> | 120      |
| 11     | E 110/V4A              | <b>14,64</b> | 120      |
| 12,5   | E 125/V4A              | <b>15,11</b> | 120      |
| 14     | E 140/V4A              | <b>15,81</b> | 120      |
| 15     | E 150/V4A              | <b>16,57</b> | 120      |
| 16     | E 160/V4A              | <b>17,21</b> | 120      |
| 17,5   | E 175/V4A              | <b>17,63</b> | 120      |
| 20     | E 200/V4A              | <b>18,23</b> | 120      |
| 22,5   | E 225/V4A              | <b>19,12</b> | 120      |
| 25     | E 250/V4A              | <b>20,10</b> | 120      |
| 30     | E 300/V4A              | <b>21,31</b> | 120      |

### Schlüter®-SCHIENE-EB



Roestvast staal V2A geborsteld

| H (mm) | L = 2,50 m<br>Art.-No. | € / m        | KV (st.) |
|--------|------------------------|--------------|----------|
| 6      | E 60 EB                | <b>17,19</b> | 120      |
| 8      | E 80 EB                | <b>17,57</b> | 120      |
| 9      | E 90 EB                | <b>17,87</b> | 120      |
| 10     | E 100 EB               | <b>18,17</b> | 120      |
| 11     | E 110 EB               | <b>19,11</b> | 120      |
| 12,5   | E 125 EB               | <b>19,33</b> | 120      |

#### Opmerking:

Om productietechnische redenen kunnen producten met L = 1,00 m niet worden voorzien van een speciale perforatie.

Voor 3 m lengte Art.-No. "/300" aanvullen (bijv. M 60/300).

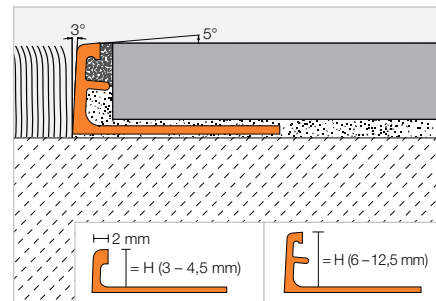
## Afsluitprofiel

## Schlüter®-SCHIENE-TS



Schlüter-SCHIENE-TS is een decoratief profiel uit aluminium met een speciale structuur en textuur, die is afgestemd op de gangbare tegeldesigns. Het afsluitvlak onder een hoek van 87° beschermt de tegels tegen mechanische beschadigingen. Dankzij het voegribje wordt een vaste voegafstand tot de tegel bepaald.

(Productdatablad 1.1)



## Schlüter®-SCHIENE-AC



Alu. met kleurcoating

| H (mm) | L = 2,50 m<br>Art.-No. | € / m | KV (st.) |
|--------|------------------------|-------|----------|
| 3      | A 30 ...*              | 7,20  | 120      |
| 4,5    | A 45 ...*              | 7,35  | 120      |
| 6      | A 60 ...*              | 7,50  | 120      |
| 8      | A 80 ...*              | 7,93  | 120      |
| 10     | A 100 ...*             | 8,55  | 120      |
| 11     | A 110 ...*             | 8,79  | 120      |
| 12,5   | A 125 ...*             | 9,12  | 120      |

## Schlüter®-SCHIENE-TS



Alu. structuur-gecoat

| H (mm) | L = 2,50 m<br>Art.-No. | € / m | KV (st.) |
|--------|------------------------|-------|----------|
| -      | -                      | -     | -        |
| -      | -                      | -     | -        |
| 6      | A 60 ...**             | 14,50 | 120      |
| 8      | A 80 ...**             | 15,16 | 120      |
| 10     | A 100 ...**            | 15,81 | 120      |
| 11     | A 110 ...**            | 16,14 | 120      |
| 12,5   | A 125 ...**            | 16,47 | 120      |



Voor 3 m lengte Art.-No. "/300" aanvullen (bijv. A 60 MBW/300).

## Art.-No. aanvullen met oppervlak/kleur (bijv. A 60 TSR)

\* Oppervlakken/kleuren, L = 2,50 m: MBW - MGS

\*\* Oppervlakken/kleuren, L = 2,50 m: TSB - TSBG - TSC - TSDA - TSG - TSI - TSLA - TSOB - TSR - TSSG

Oppervlakken/kleuren, L = 3,00 m: MBW

## Beschikbare oppervlakken | Kleuren



Een overzicht van de oppervlakken en kleuren vindt u vanaf pagina 342.

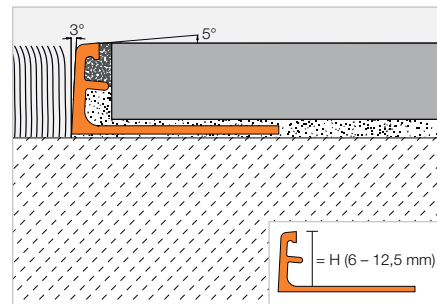


## Afsluitprofiel

### Schlüter®-SCHIENE-A



Schlüter-SCHIENE-A is een decoratief profiel uit aluminium, dat verkrijgbaar is met verschillende geanodiseerde en veredelde oppervlakken. Het afsluitvlak onder een hoek van 87° beschermt de tegels tegen mechanische beschadigingen. Dankzij het voegribje wordt een vaste voegafstand tot de tegel bepaald. (Productdatablad 1.1)



#### Schlüter®-SCHIENE-ACG



Alu. chroom glanzend geanodiseerd

| H (mm) | L = 2,50 m Art.-No. | € / m | KV (st.) |
|--------|---------------------|-------|----------|
| 6      | A 60 ACG            | 13,89 | 120      |
| 8      | A 80 ACG            | 14,31 | 120      |
| 10     | A 100 ACG           | 14,71 | 120      |
| 11     | A 110 ACG           | 14,92 | 120      |
| 12,5   | A 125 ACG           | 15,16 | 120      |

#### Schlüter®-SCHIENE-ACGB



Alu. chroom geborsteld geanodiseerd

| H (mm) | L = 2,50 m Art.-No. | € / m | KV (st.) |
|--------|---------------------|-------|----------|
| 6      | A 60 ACGB           | 13,89 | 120      |
| 8      | A 80 ACGB           | 14,31 | 120      |
| 10     | A 100 ACGB          | 14,71 | 120      |
| 11     | A 110 ACGB          | 14,92 | 120      |
| 12,5   | A 125 ACGB          | 15,16 | 120      |

Voor 3 m lengte Art.-No. "/300" aanvullen (bijv. A 60 ACG/300).

#### Schlüter®-SCHIENE-AM



Alu. messing mat geanodiseerd

| H (mm) | L = 2,50 m Art.-No. | € / m | KV (st.) |
|--------|---------------------|-------|----------|
| 6      | A 60 AM             | 11,40 | 120      |
| 8      | A 80 AM             | 11,74 | 120      |
| 10     | A 100 AM            | 12,06 | 120      |
| 11     | A 110 AM            | 12,24 | 120      |
| 12,5   | A 125 AM            | 12,44 | 120      |

#### Schlüter®-SCHIENE-AMG



Alu. messing glanzend geanodiseerd

| H (mm) | L = 2,50 m Art.-No. | € / m | KV (st.) |
|--------|---------------------|-------|----------|
| 6      | A 60 AMG            | 13,89 | 120      |
| 8      | A 80 AMG            | 14,31 | 120      |
| 10     | A 100 AMG           | 14,71 | 120      |
| 11     | A 110 AMG           | 14,92 | 120      |
| 12,5   | A 125 AMG           | 15,16 | 120      |

#### Schlüter®-SCHIENE-AMGB



Alu. messing geborsteld geanodiseerd

| H (mm) | L = 2,50 m Art.-No. | € / m | KV (st.) |
|--------|---------------------|-------|----------|
| 6      | A 60 AMGB           | 13,89 | 120      |
| 8      | A 80 AMGB           | 14,31 | 120      |
| 10     | A 100 AMGB          | 14,71 | 120      |
| 11     | A 110 AMGB          | 14,92 | 120      |
| 12,5   | A 125 AMGB          | 15,16 | 120      |

#### Schlüter®-SCHIENE-AK



Alu. koper mat geanodiseerd

| H (mm) | L = 2,50 m Art.-No. | € / m | KV (st.) |
|--------|---------------------|-------|----------|
| 6      | A 60 AK             | 11,40 | 120      |
| 8      | A 80 AK             | 11,74 | 120      |
| 10     | A 100 AK            | 12,06 | 120      |
| 11     | A 110 AK            | 12,24 | 120      |
| 12,5   | A 125 AK            | 12,44 | 120      |

#### Schlüter®-SCHIENE-AKG



Alu. koper glanzend geanodiseerd

| H (mm) | L = 2,50 m Art.-No. | € / m | KV (st.) |
|--------|---------------------|-------|----------|
| 6      | A 60 AKG            | 13,89 | 120      |
| 8      | A 80 AKG            | 14,31 | 120      |
| 10     | A 100 AKG           | 14,71 | 120      |
| 11     | A 110 AKG           | 14,92 | 120      |
| 12,5   | A 125 AKG           | 15,16 | 120      |

#### Schlüter®-SCHIENE-AKGB



Alu. koper geborsteld geanodiseerd

| H (mm) | L = 2,50 m Art.-No. | € / m | KV (st.) |
|--------|---------------------|-------|----------|
| 6      | A 60 AKGB           | 13,89 | 120      |
| 8      | A 80 AKGB           | 14,31 | 120      |
| 10     | A 100 AKGB          | 14,71 | 120      |
| 11     | A 110 AKGB          | 14,92 | 120      |
| 12,5   | A 125 AKGB          | 15,16 | 120      |

#### Schlüter®-SCHIENE-AT



Alu. titanium mat geanodiseerd

| H (mm) | L = 2,50 m Art.-No. | € / m | KV (st.) |
|--------|---------------------|-------|----------|
| 6      | A 60 AT             | 11,40 | 120      |
| 8      | A 80 AT             | 11,74 | 120      |
| 10     | A 100 AT            | 12,06 | 120      |
| 11     | A 110 AT            | 12,24 | 120      |
| 12,5   | A 125 AT            | 12,44 | 120      |

#### Schlüter®-SCHIENE-ATG



Alu. titanium glanzend geanodiseerd

| H (mm) | L = 2,50 m Art.-No. | € / m | KV (st.) |
|--------|---------------------|-------|----------|
| 6      | A 60 ATG            | 13,89 | 120      |
| 8      | A 80 ATG            | 14,31 | 120      |
| 10     | A 100 ATG           | 14,71 | 120      |
| 11     | A 110 ATG           | 14,92 | 120      |
| 12,5   | A 125 ATG           | 15,16 | 120      |

#### Schlüter®-SCHIENE-ATGB



Alu. titanium geborsteld geanodiseerd

| H (mm) | L = 2,50 m Art.-No. | € / m | KV (st.) |
|--------|---------------------|-------|----------|
| 6      | A 60 ATGB           | 13,89 | 120      |
| 8      | A 80 ATGB           | 14,31 | 120      |
| 10     | A 100 ATGB          | 14,71 | 120      |
| 11     | A 110 ATGB          | 14,92 | 120      |
| 12,5   | A 125 ATGB          | 15,16 | 120      |

**Schlüter®-SCHIENE-ABGB**

Alu. antiek brons geborsteld geanodiseerd

| H (mm) | L = 2,50 m<br>Art.-No. | € / m        | KV (st.) |
|--------|------------------------|--------------|----------|
| 6      | A 60 ABGB              | <b>13,89</b> | 120      |
| 8      | A 80 ABGB              | <b>14,31</b> | 120      |
| 10     | A 100 ABGB             | <b>14,71</b> | 120      |
| 11     | A 110 ABGB             | <b>14,92</b> | 120      |
| 12,5   | A 125 ABGB             | <b>15,16</b> | 120      |

**Schlüter®-SCHIENE-AGRB**

Alu. grafiet geborsteld geanodiseerd

| H (mm) | L = 2,50 m<br>Art.-No. | € / m        | KV (st.) |
|--------|------------------------|--------------|----------|
| 6      | A 60 AGRB              | <b>13,89</b> | 120      |
| 8      | A 80 AGRB              | <b>14,31</b> | 120      |
| 10     | A 100 AGRB             | <b>14,71</b> | 120      |
| 11     | A 110 AGRB             | <b>14,92</b> | 120      |
| 12,5   | A 125 AGRB             | <b>15,16</b> | 120      |

**Schlüter®-SCHIENE-AGSG**

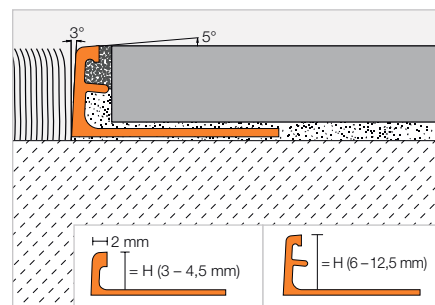
Alu. zwart glanzend geanodiseerd

| H (mm) | L = 2,50 m<br>Art.-No. | € / m        | KV (st.) |
|--------|------------------------|--------------|----------|
| 6      | A 60 AGSG              | <b>13,89</b> | 120      |
| 8      | A 80 AGSG              | <b>14,31</b> | 120      |
| 10     | A 100 AGSG             | <b>14,71</b> | 120      |
| 11     | A 110 AGSG             | <b>14,92</b> | 120      |
| 12,5   | A 125 AGSG             | <b>15,16</b> | 120      |

Een overzicht van de oppervlakken en kleuren vindt u vanaf pagina 342.

**i**Geschikt voor binnentoepassing  
bij geringe mechanische belasting.**Afsluitprofiel****Schlüter®-SCHIENE-AC**

Schlüter-SCHIENE-AC is een decoratief profiel uit kleurgecoat aluminium. Het afsluitvlak onder een hoek van 87° beschermt de tegels tegen mechanische beschadigingen. Dankzij het voegribje wordt een vaste voegafstand tot de tegel bepaald.  
(Productdatablad 1.1)

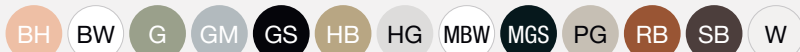
**Schlüter®-SCHIENE-AC**

Alu. met kleurcoating

| H (mm) | L = 2,50 m<br>Art.-No. | € / m       | KV (st.) |
|--------|------------------------|-------------|----------|
| 3      | A 30 ...*              | <b>7,20</b> | 120      |
| 4,5    | A 45 ...*              | <b>7,35</b> | 120      |
| 6      | A 60 ...*              | <b>7,50</b> | 120      |
| 8      | A 80 ...*              | <b>7,93</b> | 120      |
| 10     | A 100 ...*             | <b>8,55</b> | 120      |
| 11     | A 110 ...*             | <b>8,79</b> | 120      |
| 12,5   | A 125 ...*             | <b>9,12</b> | 120      |

**i**Geschikt voor binnentoepassing  
bij geringe mechanische belasting.

Voor 3 m lengte Art.-No. "/300" aanvullen (bijv. A 60 GS/300).

**Art.-No. kleur toevoegen (bijv. A 30 BW)**

\* Kleuren L = 2,50 m: BH - BW - G - GM - GS - HB - HG - MBW - MGS - PG - RB - SB - W

Kleuren L = 3,00 m: BW - GS - MBW - PG - W

Een overzicht van de oppervlakken en kleuren vindt u vanaf pagina 342.



# Schlüter®-SCHIENE-ES

Veruit de beste

- ✓ Doorlopend en precies voegpatroon
- ✓ Eenvoudige en nauwkeurige plaatsing
- ✓ Scheiding van lijm en voegmortel
- ✓ Het enige roestvaststalen profiel met voegribje
- ✓ Al jarenlang gepatenteerde voegrib-techniek
- ✓ In de uitvoeringen roestvast staal en geborsteld roestvast staal
- ✓ Het voegribje – ontdek het verschil



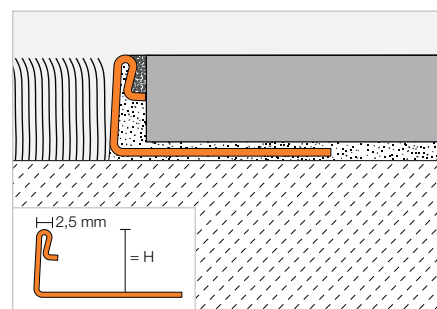
## Afsluitprofiel

### Schlüter®-SCHIENE-ES



Schlüter-SCHIENE-ES is een roestvaststalen afsluitprofiel voor tegel- en natuursteenbekledingen. Het profiel beschikt over een voegribje, dat een vaste voegafstand tot de tegel bepaalt.

(Productdatablad 1.1)



#### Schlüter®-SCHIENE-ES



Roestvast staal V2A met voegribje

| H (mm)            | L = 2,50 m<br>Art.-No. | € / m        | KV (st.) |
|-------------------|------------------------|--------------|----------|
| 8                 | ES 80                  | <b>11,86</b> | 120      |
| 10                | ES 100                 | <b>12,46</b> | 120      |
| 11                | ES 110                 | <b>13,16</b> | 120      |
| 12,5              | ES 125                 | <b>13,58</b> | 120      |
| <b>L = 1,00 m</b> |                        |              |          |
| 8                 | ES 80 / 100            | <b>12,46</b> | 240      |
| 10                | ES 100 / 100           | <b>13,09</b> | 240      |
| 11                | ES 110 / 100           | <b>13,80</b> | 240      |
| 12,5              | ES 125 / 100           | <b>14,25</b> | 240      |

#### Schlüter®-SCHIENE-ES-EB



Roestvast staal V2A geborsteld met voegribje

| H (mm) | L = 2,50 m<br>Art.-No. | € / m        | KV (st.) |
|--------|------------------------|--------------|----------|
| 8      | ES 80 EB               | <b>17,57</b> | 120      |
| 10     | ES 100 EB              | <b>18,17</b> | 120      |
| 11     | ES 110 EB              | <b>19,11</b> | 120      |
| 12,5   | ES 125 EB              | <b>19,33</b> | 120      |

Voor 3 m lengte Art.-No. "/300" aanvullen (bijv. ES 80/300).

#### Opmerking:

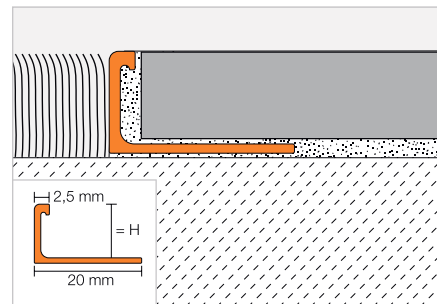
Om productietechnische redenen kunnen producten met L = 1,00 m niet worden voorzien van een speciale perforatie.

## Afsluitprofiel

## Schlüter®-SCHIENE-BASIC



Schlüter-SCHIENE-BASIC is een afsluitprofiel voor tegelbekledingen of andere vormvastе beklеdingsmaterialen met een rechthoekige overgang van het bevestigingsvlak op het aansluitvlak en met een rechthoekige profielkop.



## Schlüter®-SCHIENE-BASIC-M

Messing

| H (mm)     | L = 2,50 m<br>Art.-No. | € / m        | KV (st.) |
|------------|------------------------|--------------|----------|
| –          | –                      | –            | –        |
| 8          | MBS 80                 | <b>8,94</b>  | 120      |
| 10         | MBS 100                | <b>9,45</b>  | 120      |
| –          | –                      | –            | –        |
| 12,5       | MBS 125                | <b>10,24</b> | 120      |
| L = 1,00 m |                        |              |          |
| –          | –                      | –            | –        |
| 8          | MBS 80/100             | <b>9,52</b>  | 240      |
| 10         | MBS 100/100            | <b>10,02</b> | 240      |
| –          | –                      | –            | –        |
| 12,5       | MBS 125/100            | <b>10,82</b> | 240      |

## Schlüter®-SCHIENE-BASIC-A

Aluminium

| H (mm)     | L = 2,50 m<br>Art.-No. | € / m       | KV (st.) |
|------------|------------------------|-------------|----------|
| 6          | ABS 60                 | <b>3,28</b> | 120      |
| 8          | ABS 80                 | <b>3,46</b> | 120      |
| 10         | ABS 100                | <b>3,76</b> | 120      |
| 11         | ABS 110                | <b>3,93</b> | 120      |
| 12,5       | ABS 125                | <b>4,07</b> | 120      |
| L = 1,00 m |                        |             |          |
| 6          | ABS 60/100             | <b>3,92</b> | 240      |
| 8          | ABS 80/100             | <b>4,07</b> | 240      |
| 10         | ABS 100/100            | <b>4,36</b> | 240      |
| 11         | ABS 110/100            | <b>4,50</b> | 240      |
| 12,5       | ABS 125/100            | <b>4,67</b> | 240      |

## Schlüter®-SCHIENE-BASIC-AE

Alu. bruint mat geanodiseerd

| H (mm) | L = 2,50 m<br>Art.-No. | € / m       | KV (st.) |
|--------|------------------------|-------------|----------|
| 6      | AEBS 60                | <b>4,87</b> | 120      |
| 8      | AEBS 80                | <b>5,11</b> | 120      |
| 10     | AEBS 100               | <b>5,33</b> | 120      |
| 11     | AEBS 110               | <b>5,52</b> | 120      |
| 12,5   | AEBS 125               | <b>5,77</b> | 120      |

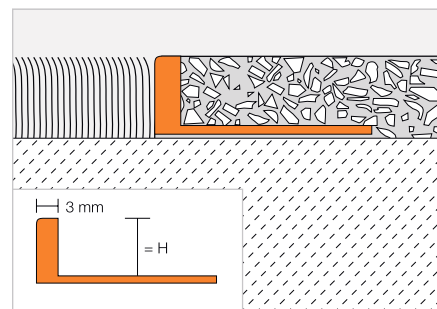
Voor 3 m lengte Art.-No. "/300" aanvullen (bijv. ABS 60/300).

## Afsluitprofiel

## Schlüter®-SCHIENE-V



Schlüter-SCHIENE-V is een afsluitprofiel voor houten beklеdings of voor andere vormvastе beklеdingsmaterialen zoals terrazzo vloeren met een rechthoekige overgang van het bevestigingsvlak op het afsluitvlak. Het gelijkmatig gevormde afsluitvlak maakt het afslijpen van de beklеding mogelijk.



## Schlüter®-SCHIENE-AV



Aluminium

| H (mm) | L = 2,50 m<br>Art.-No. | € / m       | KV (st.) |
|--------|------------------------|-------------|----------|
| 10     | A 100 V                | <b>6,14</b> | 120      |
| 12,5   | A 125 V                | <b>6,28</b> | 120      |
| 26     | A 260 V                | <b>9,17</b> | 120      |

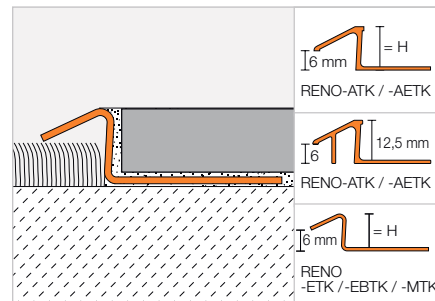


## Overgangsprofiel

### Schlüter®-RENO-TK



Schlüter-RENO-TK is een profiel voor de traploze overgang van een tegelvloer naar een aangrenzend lager gelegen tapijt of een ander vloerbekledingsmateriaal. Eveneens worden de aangrenzende bekledingsranden doeltreffend beschermd. (Productdatablad 1.4)



#### Schlüter®-RENO-MTK



Messing

| H (mm)            | L = 2,50 m<br>Art.-No. | € / m | KV (st.) |
|-------------------|------------------------|-------|----------|
| 8                 | MTK 80                 | 15,34 | 60       |
| 10                | MTK 100                | 16,60 | 60       |
| 12,5              | MTK 125                | 22,47 | 60       |
| <b>L = 1,00 m</b> |                        |       |          |
| 8                 | MTK 80/100             | 16,01 | 60       |
| 10                | MTK 100/100            | 17,26 | 60       |
| 12,5              | MTK 125/100            | 23,07 | 60       |

#### Schlüter®-RENO-ATK



Aluminium

| H (mm)            | L = 2,50 m<br>Art.-No. | € / m | KV (st.) |
|-------------------|------------------------|-------|----------|
| 8                 | ATK 80                 | 6,22  | 60       |
| 10                | ATK 100                | 6,64  | 60       |
| 12,5              | ATK 125                | 8,83  | 60       |
| <b>L = 1,00 m</b> |                        |       |          |
| 8                 | ATK 80/100             | 6,93  | 60       |
| 10                | ATK 100/100            | 7,38  | 60       |
| 12,5              | ATK 125/100            | 9,50  | 60       |

#### Schlüter®-RENO-AETK



Alu. bruit mat geanodiseerd

| H (mm)            | L = 2,50 m<br>Art.-No. | € / m | KV (st.) |
|-------------------|------------------------|-------|----------|
| 8                 | AETK 80                | 9,57  | 60       |
| 10                | AETK 100               | 9,97  | 60       |
| 12,5              | AETK 125               | 11,79 | 60       |
| <b>L = 1,00 m</b> |                        |       |          |
| 8                 | AETK 80/100            | 10,30 | 60       |
| 10                | AETK 100/100           | 10,70 | 60       |
| 12,5              | AETK 125/100           | 12,49 | 60       |

#### Schlüter®-RENO-ETK

Roestvast staal V2A

| H (mm)            | L = 2,50 m<br>Art.-No. | € / m | KV (st.) |
|-------------------|------------------------|-------|----------|
| 8                 | ETK 80                 | 16,36 | 60       |
| 10                | ETK 100                | 18,51 | 60       |
| 11                | ETK 110                | 20,14 | 60       |
| 12,5              | ETK 125                | 21,07 | 60       |
| <b>L = 1,00 m</b> |                        |       |          |
| 8                 | ETK 80/100             | 17,28 | 60       |
| 10                | ETK 100/100            | 19,43 | 60       |
| 11                | ETK 110/100            | 21,10 | 60       |
| 12,5              | ETK 125/100            | 21,98 | 60       |

#### Schlüter®-RENO-EBTK

Roestvast staal V2A geborsteld

| H (mm)            | L = 2,50 m<br>Art.-No. | € / m | KV (st.) |
|-------------------|------------------------|-------|----------|
| 8                 | EBTK 80                | 21,26 | 60       |
| 10                | EBTK 100               | 24,10 | 60       |
| 11                | EBTK 110               | 26,03 | 60       |
| 12,5              | EBTK 125               | 27,39 | 60       |
| <b>L = 1,00 m</b> |                        |       |          |
| 8                 | EBTK 80/100            | 22,20 | 60       |
| 10                | EBTK 100/100           | 25,07 | 60       |
| 11                | EBTK 110/100           | 27,07 | 60       |
| 12,5              | EBTK 125/100           | 28,33 | 60       |

#### Opmerking:

Om productietechnische redenen kunnen producten met L = 1,00 m niet worden voorzien van een speciale perforatie.

# Schlüter®-RENO-V

## Profiel met variabel overgangsvlak



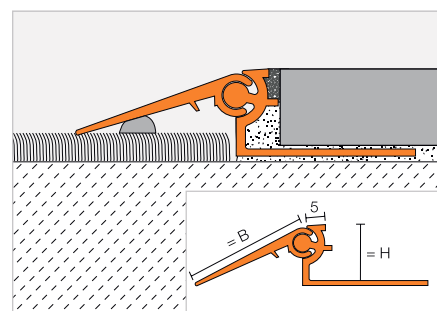
- ✓ Voorkomt struikelgevaar
- ✓ Overgangsvlak instelbaar via scharnierpunt
- ✓ Beschermt de bekledingsranden
- ✓ Dekt tapijt- of vinylranden netjes af
- ✓ In zes profielhoogtes en drie breedtes verkrijgbaar
- ✓ Draagprofielen en overgangsvlakken kunnen naar wens worden gecombineerd

### Overgangsprofiel

## Schlüter®-RENO-V



Schlüter-RENO-V is een profiel met een variabel overgangsvlak voor de traploze overgang tussen op verschillende hoogte gelegen vloerbekledingen. Dankzij het voegribje wordt een vaste voegafstand tot de tegel bepaald. (Productdatablad 1.7)



### Schlüter®-RENO-AV

Aluminium

| H (mm)     | B (mm) | L = 2,50 m<br>Art.-No. | € / m | KV (st.) |
|------------|--------|------------------------|-------|----------|
| 8          | 20     | AVT 80 B20             | 15,43 | 40       |
| 10         | 20     | AVT 100 B20            | 15,81 | 40       |
| 12,5       | 30     | AVT 125 B30            | 17,85 | 40       |
| 15         | 30     | AVT 150 B30            | 18,01 | 40       |
| 17,5       | 40     | AVT 175 B40            | 20,85 | 40       |
| 20         | 40     | AVT 200 B40            | 21,47 | 40       |
| L = 1,00 m |        |                        |       |          |
| 8          | 20     | AVT 80 B20/100         | 16,77 | 60       |
| 10         | 20     | AVT 100 B20/100        | 17,09 | 60       |
| 12,5       | 30     | AVT 125 B30/100        | 19,20 | 60       |
| 15         | 30     | AVT 150 B30/100        | 19,40 | 60       |
| 17,5       | 40     | AVT 175 B40/100        | 22,20 | 60       |
| 20         | 40     | AVT 200 B40/100        | 22,91 | 60       |

### Schlüter®-RENO-AEV

Alu. bruto mat geanodiseerd

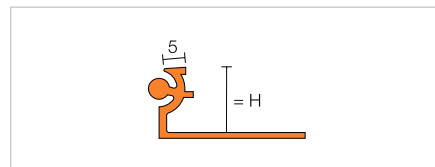
| H (mm)     | B (mm) | L = 2,50 m<br>Art.-No. | € / m | KV (st.) |
|------------|--------|------------------------|-------|----------|
| 8          | 20     | AEVT 80 B20            | 23,80 | 40       |
| 10         | 20     | AEVT 100 B20           | 24,24 | 40       |
| 12,5       | 30     | AEVT 125 B30           | 26,43 | 40       |
| 15         | 30     | AEVT 150 B30           | 27,07 | 40       |
| 17,5       | 40     | AEVT 175 B40           | 30,25 | 40       |
| 20         | 40     | AEVT 200 B40           | 31,76 | 40       |
| L = 1,00 m |        |                        |       |          |
| 8          | 20     | AEVT 80 B20/100        | 25,14 | 60       |
| 10         | 20     | AEVT 100 B20/100       | 25,62 | 60       |
| 12,5       | 30     | AEVT 125 B30/100       | 27,84 | 60       |
| 15         | 30     | AEVT 150 B30/100       | 28,32 | 60       |
| 17,5       | 40     | AEVT 175 B40/100       | 31,54 | 60       |
| 20         | 40     | AEVT 200 B40/100       | 33,14 | 60       |



## Overgangsprofiel

### Schlüter®-RENO-VT

Schlüter-RENO-VT is het draagprofiel voor de variabele overgangsvlakken Schlüter-RENO-VB. Beide producten kunnen in alle afmetingen met elkaar worden gecombineerd. (Productdatablad 1.7)



#### Schlüter®-RENO-AVT

Vloer-draagprofiel aluminium

| H (mm) | L = 2,50 m Art.-No. | € / m       | KV (st.) |
|--------|---------------------|-------------|----------|
| 8      | AVT 80              | <b>7,76</b> | 60       |
| 10     | AVT 100             | <b>8,18</b> | 60       |
| 12,5   | AVT 125             | <b>8,61</b> | 60       |
| 15     | AVT 150             | <b>8,83</b> | 60       |
| 17,5   | AVT 175             | <b>9,22</b> | 60       |
| 20     | AVT 200             | <b>9,90</b> | 60       |

#### Schlüter®-RENO-AEVT

Vloer-draagprofiel alu. bruto mat geanodiseerd

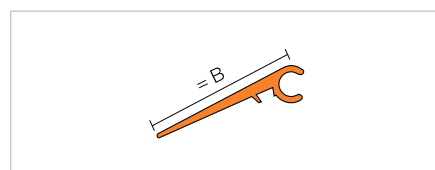
| H (mm) | L = 2,50 m Art.-No. | € / m        | KV (st.) |
|--------|---------------------|--------------|----------|
| 8      | AEVT 80             | <b>10,37</b> | 60       |
| 10     | AEVT 100            | <b>10,89</b> | 60       |
| 12,5   | AEVT 125            | <b>11,43</b> | 60       |
| 15     | AEVT 150            | <b>12,07</b> | 60       |
| 17,5   | AEVT 175            | <b>12,60</b> | 60       |
| 20     | AEVT 200            | <b>14,28</b> | 60       |

Prijzen voor Schlüter-RENO-VT en -VB in 1 m lengte op aanvraag (Art.-No. aanvullen, bijv. AVT 80/100).

## Overgangsprofiel

### Schlüter®-RENO-VB

Schlüter-RENO-VB is het variabele overgangsvlak, dat in alle afmetingen met het draagprofiel Schlüter-RENO-VT kan worden gecombineerd. (Productdatablad 1.7)



#### Schlüter®-RENO-AVB

Aluminium

| B (mm) | L = 2,50 m Art.-No. | € / m       | KV (st.) |
|--------|---------------------|-------------|----------|
| 20     | AVB 20              | <b>4,04</b> | 60       |
| 30     | AVB 30              | <b>5,61</b> | 60       |
| 40     | AVB 40              | <b>8,27</b> | 60       |

#### Schlüter®-RENO-AEVB

Alu. bruto mat geanodiseerd

| B (mm) | L = 2,50 m Art.-No. | € / m        | KV (st.) |
|--------|---------------------|--------------|----------|
| 20     | AEVB 20             | <b>10,09</b> | 60       |
| 30     | AEVB 30             | <b>11,79</b> | 60       |
| 40     | AEVB 40             | <b>14,55</b> | 60       |

Prijzen voor Schlüter-RENO-VT en -VB in 1 m lengte op aanvraag (Art.-No. aanvullen, bijv. AVT 80/100).

## Hoekprofiel

### Schlüter®-WINKEL



Schlüter-WINKEL is een niet-geperforeerd massief hoekprofiel voor meerdere doeleinden.

#### Schlüter®-WINKEL-A

Aluminium

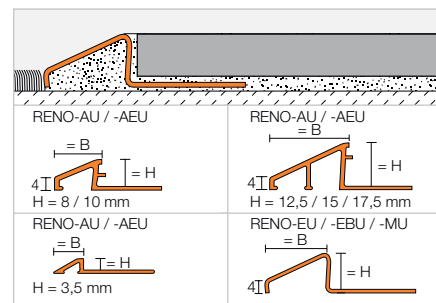
| L = 2,50 m Art.-No. | € / m        | KV (st.) |
|---------------------|--------------|----------|
| AW 15 x 30 x 2      | <b>6,64</b>  | 60       |
| AW 20 x 20 x 2      | <b>5,92</b>  | 60       |
| AW 30 x 30 x 2      | <b>9,12</b>  | 60       |
| AW 30 x 30 x 3      | <b>13,40</b> | 60       |
| AW 40 x 20 x 2      | <b>9,03</b>  | 60       |
| AW 40 x 40 x 3      | <b>17,96</b> | 60       |

## Overgangsprofiel

## Schlüter®-RENO-U



Schlüter-RENO-U is een profiel om vloerbekledingen met verschillende hoogtes traploos op elkaar te doen aansluiten. Dankzij het voegribje wordt een vaste voegafstand tot de tegel bepaald. Schlüter-RENO-EU, -EBU en -MU hebben geen voegribje.  
(Productdatablad 1.2)



## Schlüter®-RENO-MU

Messing

| H (mm)            | B (mm) | L = 2,50 m<br>Art.-No. | € / m        | KV (st.) |
|-------------------|--------|------------------------|--------------|----------|
| –                 | –      | –                      | –            | –        |
| 8                 | 12,5   | MU 80                  | <b>18,32</b> | 60       |
| 10                | 16,5   | MU 100                 | <b>20,54</b> | 60       |
| 12,5              | 22     | MU 125                 | <b>27,16</b> | 60       |
| 15                | 27,5   | MU 150                 | <b>30,06</b> | 60       |
| –                 | –      | –                      | –            | –        |
| <b>L = 1,00 m</b> |        |                        |              |          |
| 8                 | 12,5   | MU 80/100              | <b>19,30</b> | 60       |
| 10                | 16,5   | MU 100/100             | <b>21,47</b> | 60       |
| 12,5              | 22     | MU 125/100             | <b>28,12</b> | 60       |

## Schlüter®-RENO-AU

Aluminium

| H (mm)            | B (mm) | L = 2,50 m<br>Art.-No. | € / m        | KV (st.) |
|-------------------|--------|------------------------|--------------|----------|
| 3,5               | 9      | AU 35                  | <b>6,90</b>  | 60       |
| 8                 | 12,5   | AU 80                  | <b>7,14</b>  | 60       |
| 10                | 16,5   | AU 100                 | <b>7,94</b>  | 60       |
| 12,5              | 22     | AU 125                 | <b>10,21</b> | 60       |
| 15                | 27,5   | AU 150                 | <b>11,43</b> | 60       |
| 17,5              | 27     | AU 175                 | <b>12,80</b> | 60       |
| <b>L = 1,00 m</b> |        |                        |              |          |
| 8                 | 12,5   | AU 80/100              | <b>8,18</b>  | 60       |
| 10                | 16,5   | AU 100/100             | <b>8,91</b>  | 60       |
| 12,5              | 22     | AU 125/100             | <b>11,16</b> | 60       |

## Schlüter®-RENO-AEU

Alu. bruut mat geanodiseerd

| H (mm)            | B (mm) | L = 2,50 m<br>Art.-No. | € / m        | KV (st.) |
|-------------------|--------|------------------------|--------------|----------|
| 3,5               | 9      | AEU 35                 | <b>9,73</b>  | 60       |
| 8                 | 12,5   | AEU 80                 | <b>10,44</b> | 60       |
| 10                | 16,5   | AEU 100                | <b>11,43</b> | 60       |
| 12,5              | 22     | AEU 125                | <b>13,88</b> | 60       |
| 15                | 27,5   | AEU 150                | <b>15,49</b> | 60       |
| 17,5              | 27     | AEU 175                | <b>16,77</b> | 60       |
| <b>L = 1,00 m</b> |        |                        |              |          |
| 8                 | 12,5   | AEU 80/100             | <b>11,43</b> | 60       |
| 10                | 16,5   | AEU 100/100            | <b>12,49</b> | 60       |
| 12,5              | 22     | AEU 125/100            | <b>14,81</b> | 60       |

## Schlüter®-RENO-EU

Roestvast staal V2A

| H (mm)            | B (mm) | L = 2,50 m<br>Art.-No. | € / m        | KV (st.) |
|-------------------|--------|------------------------|--------------|----------|
| 8                 | 13     | EU 80                  | <b>19,85</b> | 60       |
| 10                | 17,5   | EU 100                 | <b>21,77</b> | 60       |
| 11                | 20     | EU 110                 | <b>23,32</b> | 60       |
| 12,5              | 23     | EU 125                 | <b>24,11</b> | 60       |
| 15                | 28     | EU 150                 | <b>26,20</b> | 60       |
| 17,5              | 33,5   | EU 175                 | <b>28,55</b> | 60       |
| 20                | 44,5   | EU 200                 | <b>31,06</b> | 60       |
| <b>L = 1,00 m</b> |        |                        |              |          |
| 8                 | 13     | EU 80/100              | <b>20,77</b> | 60       |
| 10                | 17,5   | EU 100/100             | <b>22,71</b> | 60       |
| 11                | 20     | EU 110/100             | <b>24,27</b> | 60       |
| 12,5              | 23     | EU 125/100             | <b>25,09</b> | 60       |

## Schlüter®-RENO-EBU

Roestvast staal V2A geborsteld

| H (mm)            | B (mm) | L = 2,50 m<br>Art.-No. | € / m        | KV (st.) |
|-------------------|--------|------------------------|--------------|----------|
| 8                 | 13     | EBU 80                 | <b>25,78</b> | 60       |
| 10                | 17,5   | EBU 100                | <b>28,27</b> | 60       |
| 11                | 20     | EBU 110                | <b>30,39</b> | 60       |
| 12,5              | 23     | EBU 125                | <b>31,30</b> | 60       |
| 15                | 28     | EBU 150                | <b>34,09</b> | 60       |
| 17,5              | 33,5   | EBU 175                | <b>37,13</b> | 60       |
| 20                | 44,5   | EBU 200                | <b>40,39</b> | 60       |
| <b>L = 1,00 m</b> |        |                        |              |          |
| 8                 | 13     | EBU 80/100             | <b>26,73</b> | 60       |
| 10                | 17,5   | EBU 100/100            | <b>29,19</b> | 60       |
| 11                | 20     | EBU 110/100            | <b>31,35</b> | 60       |
| 12,5              | 23     | EBU 125/100            | <b>32,23</b> | 60       |



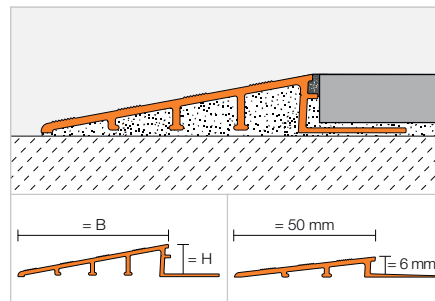
## Overgangsprofiel

### Schlüter®-RENO-RAMP



Schlüter-RENO-RAMP is een profiel voor de traploze overgang van sterk belaste tegelbekledingen naar een aangrenzend lager gelegen bekledingsmateriaal. Dankzij het voegribje wordt een vaste voegafstand tot de tegel bepaald.

(Productdatablad 1.2)



### Schlüter®-RENO-RAMP-AE

Alu. bruut mat geanodiseerd

| H (mm) | B (mm) | L = 2,50 m<br>Art.-No. | € / m        | KV (st.) |
|--------|--------|------------------------|--------------|----------|
| 6      | 50     | AERP 60 B50            | <b>24,25</b> | 60       |
| 10     | 64     | AERP 100 B65           | <b>25,77</b> | 60       |
| 12,5   | 64     | AERP 125 B65           | <b>26,35</b> | 60       |
| 12,5   | 89     | AERP 125 B90           | <b>30,67</b> | 60       |
| 15     | 89     | AERP 150 B90           | <b>33,42</b> | 60       |
| 20     | 89     | AERP 200 B90           | <b>39,66</b> | 60       |

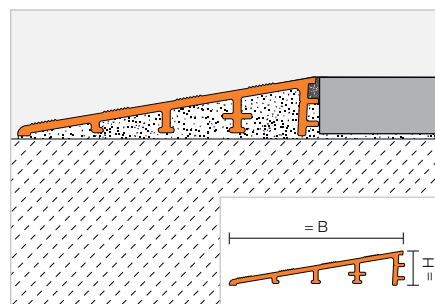
## Overgangsprofiel

### Schlüter®-RENO-RAMP-K



Schlüter-RENO-RAMP-K is een profiel voor de traploze overgang van sterk belaste tegelbekleding naar een aangrenzend lager gelegen bekledingsmateriaal. Het profiel kan achteraf als hoogtecompensatie tussen het bekledingsmateriaal en de ondergrond worden verlijmd.

(Productdatablad 1.2)



### Schlüter®-RENO-RAMP-K

Alu. bruut mat geanodiseerd

| H (mm) | B (mm) | L = 2,50 m<br>Art.-No. | € / m        | KV (st.) |
|--------|--------|------------------------|--------------|----------|
| 12,5   | 64     | AERPK 125 B65          | <b>22,39</b> | 60       |



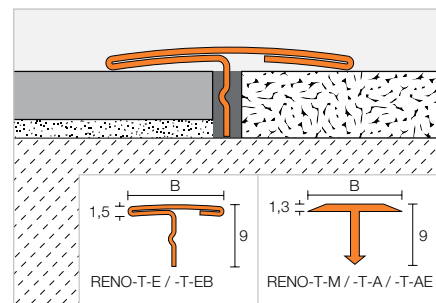
## Overgangsprofiel

## Schlüter®-RENO-T



Schlüter-RENO-T is een profiel dat achteraf wordt geplaatst als overgang tussen op gelijke hoogte aan elkaar grenzende vloerbekledingen.

(Productdatablad 1.3)



## Schlüter®-RENO-T-M

Messing

| B (mm)     | L = 2,50 m<br>Art.-No. | € / m        | KV (st.) |
|------------|------------------------|--------------|----------|
| 14         | T 9/14 M               | <b>8,61</b>  | 120      |
| 25         | T 9/25 M               | <b>14,66</b> | 120      |
| L = 1,00 m |                        |              |          |
| 14         | T 9/14 M/100           | <b>9,30</b>  | 120      |
| 25         | T 9/25 M/100           | <b>15,34</b> | 120      |

## Schlüter®-RENO-T-A

Aluminium

| B (mm)     | L = 2,50 m<br>Art.-No. | € / m       | KV (st.) |
|------------|------------------------|-------------|----------|
| 14         | T 9/14 A               | <b>3,36</b> | 120      |
| 25         | T 9/25 A               | <b>4,28</b> | 120      |
| L = 1,00 m |                        |             |          |
| 14         | T 9/14 A/100           | <b>3,98</b> | 120      |
| 25         | T 9/25 A/100           | <b>4,94</b> | 120      |

## Schlüter®-RENO-T-AE

Alu. bruut mat geanodiseerd

| B (mm)     | L = 2,50 m<br>Art.-No. | € / m       | KV (st.) |
|------------|------------------------|-------------|----------|
| 14         | T 9/14 AE              | <b>5,41</b> | 120      |
| 25         | T 9/25 AE              | <b>5,85</b> | 120      |
| L = 1,00 m |                        |             |          |
| 14         | T 9/14 AE/100          | <b>6,09</b> | 120      |
| 25         | T 9/25 AE/100          | <b>6,50</b> | 120      |

## Schlüter®-RENO-T-E

Roestvast staal V2A

| B (mm)     | L = 2,50 m<br>Art.-No. | € / m        | KV (st.) |
|------------|------------------------|--------------|----------|
| 14         | T 9/14 E               | <b>12,48</b> | 120      |
| 25         | T 9/25 E               | <b>16,12</b> | 120      |
| L = 1,00 m |                        |              |          |
| 14         | T 9/14 E/100           | <b>13,16</b> | 120      |
| 25         | T 9/25 E/100           | <b>16,77</b> | 120      |

## Schlüter®-RENO-T-EB

Roestvast staal V2A geborsteld

| B (mm)     | L = 2,50 m<br>Art.-No. | € / m        | KV (st.) |
|------------|------------------------|--------------|----------|
| 14         | T 9/14 EB              | <b>16,22</b> | 120      |
| 25         | T 9/25 EB              | <b>20,93</b> | 120      |
| L = 1,00 m |                        |              |          |
| 14         | T 9/14 EB/100          | <b>17,12</b> | 120      |
| 25         | T 9/25 EB/100          | <b>21,82</b> | 120      |

**Opmerking:**

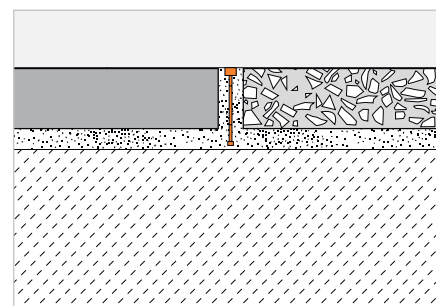
De profielen Schlüter-RENO-T-M / -T-A / -T-AE in de breedte 14 mm laten zich zonder speciale perforatie buigen tot een minimale radius van 0,50 m met de Schlüter-RUMA buigmachine.

## Scheidingsprofiel

## Schlüter®-TERRAZZO



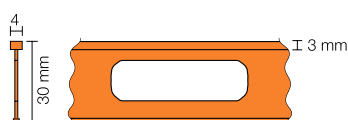
Schlüter-TERRAZZO is een scheidings- en decoratieprofiel uit massief messing, dat in terrazobekleding wordt ingebracht.



## Schlüter®-TERRAZZO-M

Messing

| H (mm) | L = 2,50 m<br>Art.-No. | € / m        | KV (st.) |
|--------|------------------------|--------------|----------|
| 30     | TM 4 x 30              | <b>13,50</b> | 120      |





# Schlüter-profielen

## Wandhoeken en afsluitingen

Randbescherming is geen kwestie van smaak. Mooie en vakkundig geplaatste tegelbekledingen verdienen het om goed beschermd te worden. Met randbeschermingsprofielen van Schlüter-Systems stelt u op een betrouwbare wijze het resultaat van uw werk veilig. En door de verscheidenheid aan vormen, kleuren en afwerkingen behoudt u absolute ontwerpvrijheid.





## Afsluitprofielen

|                        |         |
|------------------------|---------|
| Schlüter®-QUADEC       | 54–62   |
| Schlüter®-RONDEC       | 63–73   |
| Schlüter®-JOLLY        | 74–81   |
| Schlüter®-FINEC        | 82–86   |
| Schlüter®-DECO         | 87–88   |
| Schlüter®-INDEC        | 88      |
| Schlüter®-RONDEC-STEP  | 98–99   |
| Schlüter®-SCHIENE-STEP | 100–101 |

## Hoekprofielen

|               |       |
|---------------|-------|
| Schlüter®-ECK | 89–90 |
|---------------|-------|

## Holplintprofielen

|                   |    |
|-------------------|----|
| Schlüter®-ECK-KHK | 91 |
|-------------------|----|

## Sierstrips

|                      |    |
|----------------------|----|
| Schlüter®-DESIGNLINE | 92 |
|----------------------|----|

## Decoratieve profielen

|                     |    |
|---------------------|----|
| Schlüter®-QUADEC-FS | 93 |
|---------------------|----|

## Opnameprofielen

|                   |    |
|-------------------|----|
| Schlüter®-DECO-SG | 94 |
|-------------------|----|

## Plintprofielen

|                      |       |
|----------------------|-------|
| Schlüter®-DESIGNBASE | 95–97 |
|----------------------|-------|



# Schlüter®-QUADEC

Mooie en stevige randbescherming

De perfecte aanvulling bij verchromde of roestvaststalen armaturen: Schlüter-QUADEC biedt u dankzij talrijke varianten, bijv. roestvast staal, aluminium of verchromd messing, een hoogwaardige afwerking en betrouwbare bescherming van de tegelranden.

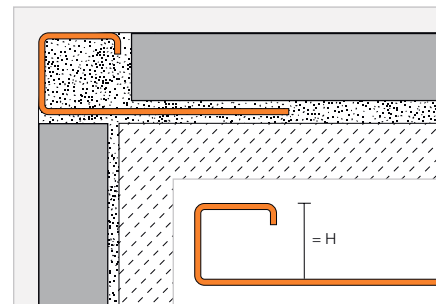


## Afsluitprofiel

## Schlüter®-QUADEC-MC



Schlüter-QUADEC-MC is een hoogwaardig afsluitprofiel uit verchroomd messing voor uitwendige hoeken in wandbetegeling en biedt een goede randbescherming. Het zichtbare oppervlak van het profiel vormt een rechthoekige buitenhoek voor de tegelbekleding. (Productdatablad 2.10)



## Schlüter®-QUADEC-MC

Messing verchroomd

| H (mm) | L = 2,50 m<br>Art.-No. | € / m        | KV (st.) |
|--------|------------------------|--------------|----------|
| 6      | Q 60 MC                | <b>35,48</b> | 120      |
| 8      | Q 80 MC                | <b>37,50</b> | 120      |
| 10     | Q 100 MC               | <b>39,09</b> | 120      |
| 11     | Q 110 MC               | <b>40,23</b> | 120      |
| 12,5   | Q 125 MC               | <b>41,26</b> | 120      |
| 15     | Q 150 MC               | <b>43,48</b> | 120      |

## Hoek

## Schlüter®-QUADEC-MC/EV

Buiten-/binnenhoek 90°  
massief messing verchroomd

| H (mm) | Art.-No.      | € / St.      | P (st.) |
|--------|---------------|--------------|---------|
| 6      | EV / Q 60 MC  | <b>20,39</b> | 50      |
| 8      | EV / Q 80 MC  | <b>20,88</b> | 50      |
| 10     | EV / Q 100 MC | <b>22,52</b> | 50      |
| 11     | EV / Q 110 MC | <b>22,84</b> | 50      |
| 12,5   | EV / Q 125 MC | <b>23,05</b> | 50      |
| 15     | EV / Q 150 MC | <b>23,94</b> | 50      |

## Schlüter®-QUADEC-MC/ED

Buiten-/binnenhoek 90°  
imitatie metaal-spuitgietwerk

| H (mm) | Art.-No.      | € / St.     | P (st.) |
|--------|---------------|-------------|---------|
| 6      | ED / Q 60 MC  | <b>4,67</b> | 50      |
| 8      | ED / Q 80 MC  | <b>4,67</b> | 50      |
| 10     | ED / Q 100 MC | <b>4,67</b> | 50      |
| 11     | ED / Q 110 MC | <b>4,67</b> | 50      |
| 12,5   | ED / Q 125 MC | <b>4,67</b> | 50      |
| 15     | ED / Q 150 MC | <b>4,67</b> | 50      |



Het hoekstukje kan zowel voor binnen- als voor buitenhoeken worden gebruikt.

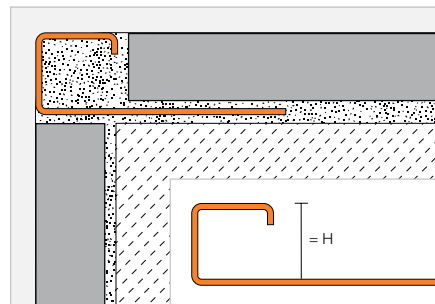


## Afsluitprofiel

### Schlüter®-QUADEC-E



Schlüter-QUADEC-E is een hoogwaardig afsluitprofiel uit roestvast staal voor uitwendige hoeken in wandbetegeling en biedt een goede randbescherming. Het zichtbare oppervlak van het profiel vormt een rechthoekige buitenhoek voor de tegelbekleding. (Productdatablad 2.10)



#### Schlüter®-QUADEC-E



Roestvast staal V2A

| H (mm) | L = 2,50 m Art.-No. | € / m | KV (st.) |
|--------|---------------------|-------|----------|
| 4,5    | Q 45 E              | 13,66 | 120      |
| 6      | Q 60 E              | 14,57 | 120      |
| 7      | Q 70 E              | 15,14 | 120      |
| 8      | Q 80 E              | 15,71 | 120      |
| 9      | Q 90 E              | 16,49 | 120      |
| 10     | Q 100 E             | 16,81 | 120      |
| 11     | Q 110 E             | 17,20 | 120      |
| 12,5   | Q 125 E             | 17,84 | 120      |
| 14     | Q 140 E             | 18,47 | 120      |
| 15     | Q 150 E             | 18,99 | 120      |

#### Schlüter®-QUADEC-EB



Roestvast staal V2A geborsteld

| H (mm) | L = 2,50 m Art.-No. | € / m | KV (st.) |
|--------|---------------------|-------|----------|
| –      | –                   | –     | –        |
| 6      | Q 60 EB             | 19,13 | 120      |
| 7      | Q 70 EB             | 19,74 | 120      |
| 8      | Q 80 EB             | 20,60 | 120      |
| 9      | Q 90 EB             | 21,45 | 120      |
| 10     | Q 100 EB            | 22,09 | 120      |
| 11     | Q 110 EB            | 22,95 | 120      |
| 12,5   | Q 125 EB            | 23,45 | 120      |
| 14     | Q 140 EB            | 24,66 | 120      |
| 15     | Q 150 EB            | 25,03 | 120      |

#### Schlüter®-QUADEC-EP



Roestvast staal V2A glanzend gepolijst

| H (mm) | L = 2,50 m Art.-No. | € / m | KV (st.) |
|--------|---------------------|-------|----------|
| –      | –                   | –     | –        |
| 6      | Q 60 EP             | 26,55 | 120      |
| –      | –                   | –     | –        |
| 8      | Q 80 EP             | 27,64 | 120      |
| –      | –                   | –     | –        |
| 10     | Q 100 EP            | 28,76 | 120      |
| –      | –                   | –     | –        |
| 12,5   | Q 125 EP            | 30,98 | 120      |
| –      | –                   | –     | –        |
| 15     | Q 150 EP            | 33,17 | 120      |

#### Schlüter®-QUADEC-E V4A



Roestvast staal V4A

| H (mm) | L = 2,50 m Art.-No. | € / m | KV (st.) |
|--------|---------------------|-------|----------|
| 6      | Q 60 E / V4A        | 16,22 | 120      |
| 8      | Q 80 E / V4A        | 17,47 | 120      |
| 10     | Q 100 E / V4A       | 18,72 | 120      |
| 12,5   | Q 125 E / V4A       | 19,80 | 120      |

#### Opmerking:

Schlüter-QUADEC-E/-EB profielen in 14/15 mm hoogte zijn niet met radiusperforatie verkrijgbaar.

Schlüter-QUADEC-EP profielen in 15 mm hoogte zijn niet met radiusperforatie verkrijgbaar.

Voor 3 m lengte Art.-No. "/300" aanvullen (bijv. Q 60 E/300).

## Hoek | Eindkapje | Verbindingsstuk

#### Schlüter®-QUADEC-E/EV

Buiten-/binnenhoek 90°  
massief roestvast staal V2A

| H (mm) | Art.-No.     | € / St. | P (st.) |
|--------|--------------|---------|---------|
| 4,5    | EV / Q 45 E  | 23,78   | 50      |
| 6      | EV / Q 60 E  | 24,27   | 50      |
| 7      | EV / Q 70 E  | 24,59   | 50      |
| 8      | EV / Q 80 E  | 24,92   | 50      |
| 9      | EV / Q 90 E  | 26,42   | 50      |
| 10     | EV / Q 100 E | 26,93   | 50      |
| 11     | EV / Q 110 E | 27,23   | 50      |
| 12,5   | EV / Q 125 E | 27,53   | 50      |
| 14     | EV / Q 140 E | 28,03   | 50      |
| 15     | EV / Q 150 E | 28,21   | 50      |

#### Schlüter®-QUADEC-E/ED

Buiten-/binnenhoek 90°  
imitatie metaal-spuitspuitwerk

| H (mm) | Art.-No.     | € / St. | P (st.) |
|--------|--------------|---------|---------|
| 4,5    | ED / Q 45 E  | 4,74    | 50      |
| 6      | ED / Q 60 E  | 4,74    | 50      |
| 7      | ED / Q 70 E  | 4,74    | 50      |
| 8      | ED / Q 80 E  | 4,74    | 50      |
| 9      | ED / Q 90 E  | 4,74    | 50      |
| 10     | ED / Q 100 E | 4,74    | 50      |
| 11     | ED / Q 110 E | 4,74    | 50      |
| 12,5   | ED / Q 125 E | 4,74    | 50      |
| 14     | ED / Q 140 E | 4,74    | 50      |
| 15     | ED / Q 150 E | 4,74    | 50      |



**Schlüter®-QUADEC-EB/EV**

Buiten-/binnenhoek 90°  
massief roestvast staal V2A geborsteld

| H (mm) | Art.-No.      | € / St.      | P (st.) |
|--------|---------------|--------------|---------|
| 6      | EV / Q 60 EB  | <b>28,23</b> | 50      |
| 7      | EV / Q 70 EB  | <b>28,57</b> | 50      |
| 8      | EV / Q 80 EB  | <b>28,94</b> | 50      |
| 9      | EV / Q 90 EB  | <b>29,95</b> | 50      |
| 10     | EV / Q 100 EB | <b>31,26</b> | 50      |
| 11     | EV / Q 110 EB | <b>31,46</b> | 50      |
| 12,5   | EV / Q 125 EB | <b>31,94</b> | 50      |
| 14     | EV / Q 140 EB | <b>32,16</b> | 50      |
| 15     | EV / Q 150 EB | <b>32,70</b> | 50      |

**Schlüter®-QUADEC-EB/ED**

Buiten-/binnenhoek 90°  
imitatie metaal-spuitsietwerk geborsteld

| H (mm) | Art.-No.      | € / St.     | P (st.) |
|--------|---------------|-------------|---------|
| 6      | ED / Q 60 EB  | <b>6,92</b> | 50      |
| 7      | ED / Q 70 EB  | <b>6,92</b> | 50      |
| 8      | ED / Q 80 EB  | <b>6,92</b> | 50      |
| 9      | ED / Q 90 EB  | <b>6,92</b> | 50      |
| 10     | ED / Q 100 EB | <b>6,92</b> | 50      |
| 11     | ED / Q 110 EB | <b>6,92</b> | 50      |
| 12,5   | ED / Q 125 EB | <b>6,92</b> | 50      |
| 14     | ED / Q 140 EB | <b>6,92</b> | 50      |
| 15     | ED / Q 150 EB | <b>6,92</b> | 50      |

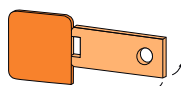


Het hoekstukje kan zowel voor binnen- als voor buitenhoeken worden gebruikt.

**Schlüter®-QUADEC-EB/EK\***

Eindkapje roestvast staal V2A geborsteld

| H (mm) | Art.-No.      | € / St.     | P (st.) |
|--------|---------------|-------------|---------|
| 6      | EK / Q 60 EB  | <b>2,41</b> | 50      |
| 7      | EK / Q 70 EB  | <b>2,41</b> | 50      |
| 8      | EK / Q 80 EB  | <b>2,41</b> | 50      |
| 9      | EK / Q 90 EB  | <b>2,41</b> | 50      |
| 10     | EK / Q 100 EB | <b>2,41</b> | 50      |
| 11     | EK / Q 110 EB | <b>2,41</b> | 50      |
| 12,5   | EK / Q 125 EB | <b>2,41</b> | 50      |
| 14     | EK / Q 140 EB | <b>2,41</b> | 50      |
| 15     | EK / Q 150 EB | <b>2,41</b> | 50      |



Schlüter-QUADEC-EB/EK

\* Voor Schlüter-QUADEC-E, V2A geschikt.

**Schlüter®-QUADEC-EP/EV**

Buiten-/binnenhoek 90°  
massief roestvast staal V2A gepolijst

| H (mm) | Art.-No.      | € / St.      | P (st.) |
|--------|---------------|--------------|---------|
| 6      | EV / Q 60 EP  | <b>26,92</b> | 50      |
| 8      | EV / Q 80 EP  | <b>28,54</b> | 50      |
| 10     | EV / Q 100 EP | <b>30,58</b> | 50      |
| 12,5   | EV / Q 125 EP | <b>33,17</b> | 50      |
| 15     | EV / Q 150 EP | <b>36,85</b> | 50      |

**Schlüter®-QUADEC-EP/ED**

Buiten-/binnenhoek 90°  
imitatie metaal-spuitsietwerk gepolijst

| H (mm) | Art.-No.      | € / St.     | P (st.) |
|--------|---------------|-------------|---------|
| 6      | ED / Q 60 EP  | <b>4,80</b> | 50      |
| 8      | ED / Q 80 EP  | <b>4,80</b> | 50      |
| 10     | ED / Q 100 EP | <b>4,80</b> | 50      |
| 12,5   | ED / Q 125 EP | <b>4,80</b> | 50      |
| 15     | ED / Q 150 EP | <b>4,80</b> | 50      |

**Schlüter®-QUADEC-EV V4A**

Buiten-/binnenhoek 90° massief roestvast staal V4A

| H (mm) | Art.-No.        | € / St.      | P (st.) |
|--------|-----------------|--------------|---------|
| 6      | EV / Q 60 EV4A  | <b>27,00</b> | 50      |
| 8      | EV / Q 80 EV4A  | <b>27,69</b> | 50      |
| 10     | EV / Q 100 EV4A | <b>29,94</b> | 50      |
| 12,5   | EV / Q 125 EV4A | <b>30,59</b> | 50      |

**Schlüter®-RONDEC-E/V**

Verbindingsstuk voor roestvaststalen profielen

| H (mm) | Art.-No.     | € / St.     | P (st.) |
|--------|--------------|-------------|---------|
| 6      | V / RO 60 E  | <b>2,38</b> | 50      |
| 8      | V / RO 80 E  | <b>2,38</b> | 50      |
| 10     | V / RO 100 E | <b>2,38</b> | 50      |
| 11     | V / RO 110 E | <b>2,38</b> | 50      |
| 12,5   | V / RO 125 E | <b>2,38</b> | 50      |



Voor Schlüter-RONDEC en -QUADEC geschikt.



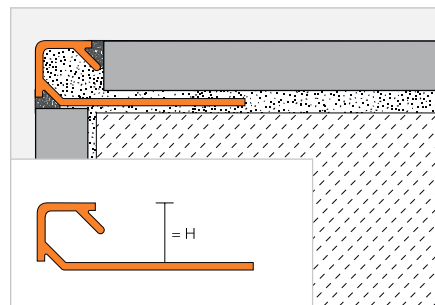
## Afsluitprofiel

### Schlüter®-QUADEC-TS



Schlüter-QUADEC-TS is een hoogwaardig afsluitprofiel uit aluminium met een bijzondere structuurcoating voor uitwendige hoeken in wandbetegeling en biedt een goede randbescherming. Het zichtbare oppervlak van het profiel vormt een rechthoekige buitenhoek voor de tegelbekleding. Dankzij het voegribje wordt een vaste voegafstand tot de tegel bepaald.

(Productdatablad 2.10)



#### Schlüter®-QUADEC-AC



Alu. met kleurcoating

| H (mm) | L = 2,50 m<br>Art.-No. | € / m        | KV (st.) |
|--------|------------------------|--------------|----------|
| 4,5    | Q 45 ...*              | <b>7,82</b>  | 120      |
| 6      | Q 60 ...*              | <b>8,29</b>  | 120      |
| 8      | Q 80 ...*              | <b>9,28</b>  | 120      |
| 10     | Q 100 ...*             | <b>10,16</b> | 120      |
| 11     | Q 110 ...*             | <b>11,37</b> | 120      |
| 12,5   | Q 125 ...*             | <b>12,70</b> | 120      |

#### Schlüter®-QUADEC-TS



Alu. structuur-gecoat

| H (mm) | L = 2,50 m<br>Art.-No. | € / m        | KV (st.) |
|--------|------------------------|--------------|----------|
| 4,5    | Q 45 ...**             | <b>15,16</b> | 120      |
| 6      | Q 60 ...**             | <b>15,81</b> | 120      |
| 8      | Q 80 ...**             | <b>17,15</b> | 120      |
| 10     | Q 100 ...**            | <b>18,45</b> | 120      |
| 11     | Q 110 ...**            | <b>19,12</b> | 120      |
| 12,5   | Q 125 ...**            | <b>20,10</b> | 120      |

Voor 3 m lengte Art.-No. "/300" aanvullen (bijv. Q 60 TSI/300).

## Hoek | Verbindingsstuk

#### Schlüter®-QUADEC-AC/ED

Buitenhoek 90° voor QUADEC-MBW/-MGS imitatie metaal-spuitsietwerk

| H (mm) | Art.-No.        | € / St.     | P (st.) |
|--------|-----------------|-------------|---------|
| 4,5    | ED / Q 45 ...*  | <b>4,67</b> | 50      |
| 6      | ED / Q 60 ...*  | <b>4,67</b> | 50      |
| 8      | ED / Q 80 ...*  | <b>4,67</b> | 50      |
| 10     | ED / Q 100 ...* | <b>4,67</b> | 50      |
| 11     | ED / Q 110 ...* | <b>4,67</b> | 50      |
| 12,5   | ED / Q 125 ...* | <b>4,67</b> | 50      |

#### Schlüter®-QUADEC-AC/EV

Buiten-/binnenhoek 90° voor QUADEC-MBW/-MGS massief alu.

| H (mm) | Art.-No.        | € / St.      | P (st.) |
|--------|-----------------|--------------|---------|
| 4,5    | EV / Q 45 ...*  | <b>12,52</b> | 50      |
| 6      | EV / Q 60 ...*  | <b>12,52</b> | 50      |
| 8      | EV / Q 80 ...*  | <b>12,52</b> | 50      |
| 10     | EV / Q 100 ...* | <b>12,52</b> | 50      |
| 11     | EV / Q 110 ...* | <b>12,52</b> | 50      |
| 12,5   | EV / Q 125 ...* | <b>12,52</b> | 50      |

#### Schlüter®-QUADEC-TS/EV

Buiten-/binnenhoek 90° alu. structuur-gecoat

| H (mm) | Art.-No.         | € / St.      | P (st.) |
|--------|------------------|--------------|---------|
| 4,5    | EV / Q 45 ...**  | <b>12,52</b> | 50      |
| 6      | EV / Q 60 ...**  | <b>12,52</b> | 50      |
| 8      | EV / Q 80 ...**  | <b>12,52</b> | 50      |
| 10     | EV / Q 100 ...** | <b>12,52</b> | 50      |
| 11     | EV / Q 110 ...** | <b>12,52</b> | 50      |
| 12,5   | EV / Q 125 ...** | <b>12,52</b> | 50      |

#### Schlüter®-RONDEC-A/V

Verbindingsstuk voor aluminium profielen

| H (mm) | Art.-No.   | € / St.     | P (st.) |
|--------|------------|-------------|---------|
| 6      | V / RO 60  | <b>1,27</b> | 50      |
| 8      | V / RO 80  | <b>1,27</b> | 50      |
| 10     | V / RO 100 | <b>1,27</b> | 50      |
| 11     | V / RO 110 | <b>1,27</b> | 50      |
| 12,5   | V / RO 125 | <b>1,27</b> | 50      |

#### Schlüter®-QUADEC-A/V

Verbindingsstuk voor aluminium profielen

| H (mm) | Art.-No. | € / St.     | P (st.) |
|--------|----------|-------------|---------|
| 6      | V / Q 60 | <b>1,27</b> | 50      |



Schlüter-RONDEC-A/V voor Schlüter-RONDEC en -QUADEC geschikt. Met uitzondering van H = 6 mm, daarvoor is het Verbindingsstuk V/RO60 voor RONDEC en V/Q60 voor QUADEC beschikbaar.

Art.-No. aanvullen met oppervlak/kleur (bijv. EV / Q 45 TSSG)

\* Oppervlakken/kleuren: MBW - MGS

\*\* Oppervlakken/kleuren: TSB - TSBG - TSC - TSDA - TSG - TSI - TSLA - TSOB - TSR - TSSG

## Beschikbare oppervlakken | Kleuren



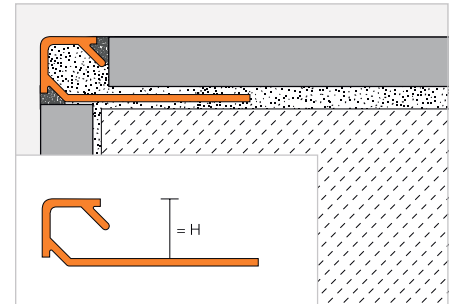
Een overzicht van de oppervlakken en kleuren vindt u vanaf pagina 342.

## Afsluitprofiel

## Schlüter®-QUADEC-A



Schlüter-QUADEC-A is een hoogwaardig afsluitprofiel uit geanodiseerd aluminium voor uitwendige hoeken in wandbetegeling en biedt een goede randbescherming. Het zichtbare oppervlak van het profiel vormt een rechthoekige buitenhoek voor de tegelbekleding. Dankzij het voegribje wordt een vaste voegafstand tot de tegel bepaald. (Productdatablad 2.10)



## Schlüter®-QUADEC-AE



Alu. bruut mat geanodiseerd

| H (mm) | L = 2,50 m<br>Art.-No. | € / m       | KV (st.) |
|--------|------------------------|-------------|----------|
| 4,5    | Q 45 AE                | <b>6,68</b> | 120      |
| 6      | Q 60 AE                | <b>6,94</b> | 120      |
| 8      | Q 80 AE                | <b>7,51</b> | 120      |
| 10     | Q 100 AE               | <b>8,20</b> | 120      |
| 11     | Q 110 AE               | <b>8,51</b> | 120      |
| 12,5   | Q 125 AE               | <b>8,77</b> | 120      |

## Schlüter®-QUADEC-ACG



Alu. chroom glanzend geanodiseerd

| H (mm) | L = 2,50 m<br>Art.-No. | € / m        | KV (st.) |
|--------|------------------------|--------------|----------|
| 4,5    | Q 45 ACG               | <b>15,03</b> | 120      |
| 6      | Q 60 ACG               | <b>15,79</b> | 120      |
| 8      | Q 80 ACG               | <b>16,59</b> | 120      |
| 10     | Q 100 ACG              | <b>17,63</b> | 120      |
| 11     | Q 110 ACG              | <b>18,45</b> | 120      |
| 12,5   | Q 125 ACG              | <b>19,62</b> | 120      |

## Schlüter®-QUADEC-ACGB



Alu. chroom geborsteld geanodiseerd

| H (mm) | L = 2,50 m<br>Art.-No. | € / m        | KV (st.) |
|--------|------------------------|--------------|----------|
| 4,5    | Q 45 ACGB              | <b>15,34</b> | 120      |
| 6      | Q 60 ACGB              | <b>16,05</b> | 120      |
| 8      | Q 80 ACGB              | <b>17,97</b> | 120      |
| 10     | Q 100 ACGB             | <b>18,94</b> | 120      |
| 11     | Q 110 ACGB             | <b>19,37</b> | 120      |
| 12,5   | Q 125 ACGB             | <b>19,84</b> | 120      |

## Schlüter®-QUADEC-AT



Alu. titanium mat geanodiseerd

| H (mm) | L = 2,50 m<br>Art.-No. | € / m       | KV (st.) |
|--------|------------------------|-------------|----------|
| 4,5    | Q 45 AT                | <b>7,01</b> | 120      |
| 6      | Q 60 AT                | <b>7,33</b> | 120      |
| 8      | Q 80 AT                | <b>8,01</b> | 120      |
| 10     | Q 100 AT               | <b>8,69</b> | 120      |
| 11     | Q 110 AT               | <b>9,09</b> | 120      |
| 12,5   | Q 125 AT               | <b>9,58</b> | 120      |

## Schlüter®-QUADEC-ATG



Alu. titanium glanzend geanodiseerd

| H (mm) | L = 2,50 m<br>Art.-No. | € / m        | KV (st.) |
|--------|------------------------|--------------|----------|
| 4,5    | Q 45 ATG               | <b>15,03</b> | 120      |
| 6      | Q 60 ATG               | <b>15,79</b> | 120      |
| 8      | Q 80 ATG               | <b>16,59</b> | 120      |
| 10     | Q 100 ATG              | <b>17,63</b> | 120      |
| 11     | Q 110 ATG              | <b>18,45</b> | 120      |
| 12,5   | Q 125 ATG              | <b>19,62</b> | 120      |

## Schlüter®-QUADEC-ATGB



Alu. titanium geborsteld geanodiseerd

| H (mm) | L = 2,50 m<br>Art.-No. | € / m        | KV (st.) |
|--------|------------------------|--------------|----------|
| 4,5    | Q 45 ATGB              | <b>15,34</b> | 120      |
| 6      | Q 60 ATGB              | <b>16,05</b> | 120      |
| 8      | Q 80 ATGB              | <b>17,97</b> | 120      |
| 10     | Q 100 ATGB             | <b>18,94</b> | 120      |
| 11     | Q 110 ATGB             | <b>19,37</b> | 120      |
| 12,5   | Q 125 ATGB             | <b>19,84</b> | 120      |

## Hoek | Verbindingsstuk

## Schlüter®-QUADEC-A/EV

Buiten-/binnenhoek 90° massief alu.

| H (mm) | Art.-No.        | € / St.     | P (st.) |
|--------|-----------------|-------------|---------|
| 4,5    | EV / Q 45 ...*  | <b>8,51</b> | 50      |
| 6      | EV / Q 60 ...*  | <b>8,69</b> | 50      |
| 8      | EV / Q 80 ...*  | <b>9,07</b> | 50      |
| 10     | EV / Q 100 ...* | <b>9,42</b> | 50      |
| 11     | EV / Q 110 ...* | <b>9,66</b> | 50      |
| 12,5   | EV / Q 125 ...* | <b>9,82</b> | 50      |

## Schlüter®-QUADEC-A/ED

Buitenhoek 90° imitatie alu.

| H (mm) | Art.-No.        | € / St.     | P (st.) |
|--------|-----------------|-------------|---------|
| 4,5    | ED / Q 45 ...*  | <b>4,67</b> | 50      |
| 6      | ED / Q 60 ...*  | <b>4,67</b> | 50      |
| 8      | ED / Q 80 ...*  | <b>4,67</b> | 50      |
| 10     | ED / Q 100 ...* | <b>4,67</b> | 50      |
| 11     | ED / Q 110 ...* | <b>4,67</b> | 50      |
| 12,5   | ED / Q 125 ...* | <b>4,67</b> | 50      |

## Schlüter®-RONDEC-A/V

Verbindingsstuk voor aluminium profielen

| H (mm) | Art.-No.   | € / St.     | P (st.) |
|--------|------------|-------------|---------|
| —      | —          | —           | —       |
| 6      | V / RO 60  | <b>1,27</b> | 50      |
| 8      | V / RO 80  | <b>1,27</b> | 50      |
| 10     | V / RO 100 | <b>1,27</b> | 50      |
| 11     | V / RO 110 | <b>1,27</b> | 50      |
| 12,5   | V / RO 125 | <b>1,27</b> | 50      |

## Schlüter®-QUADEC-A/V

Verbindingsstuk voor aluminium profielen

| H (mm) | Art.-No. | € / St.     | P (st.) |
|--------|----------|-------------|---------|
| 6      | V / Q 60 | <b>1,27</b> | 50      |



Schlüter-RONDEC-A/V voor Schlüter-RONDEC en -QUADEC geschikt. Met uitzondering van H = 6 mm, daarvoor is het verbindingsstuk V/RO60 voor RONDEC en V/Q60 voor QUADEC beschikbaar.

## Art.-No. aanvullen met oppervlak (bijv. ED / Q 45 ACGB)

\* Oppervlakken: ACG - ACGB - AE - AT - ATG - ATGB

Een overzicht van de oppervlakken en kleuren vindt u vanaf pagina 342.

Voor 3 m lengte Art.-No. "/300" aanvullen (bijv. Q 60 AE/300).



# Schlüter-profielen

Absoluut trendy: zwart in de badkamer

Zwart is en blijft nog steeds de trend. Met profielen, planchetten en afwateringssystemen in grafietzwart mat (MGS) maakt u dus de juiste keuze. Ton sur ton of met contrasten, geef uw creativiteit alle vrijheid.

- ✓ **Individuele accenten plaatsen**
- ✓ **Perfecte aanvulling op de huidige tegeltrend**
- ✓ **Uniforme kleuren voor de douche**



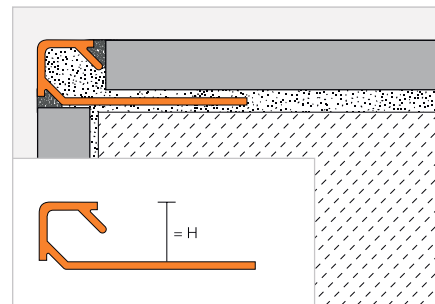


## Afsluitprofiel

## Schlüter®-QUADEC-AC



Schlüter-QUADEC-AC is een hoogwaardig afsluitprofiel uit kleurgecoat aluminium voor uitwendige hoeken in wandbetegeling en biedt een goede randbescherming. Het zichtbare oppervlak van het profiel vormt een rechthoekige buitenhoek voor de tegelbekleding. Dankzij het voegribje wordt een vaste voegafstand tot de tegel bepaald. (Productdatablad 2.10)



## Schlüter®-QUADEC-AC



Alu. met kleurcoating

| H (mm) | L = 2,50 m<br>Art.-No. | € / m        | KV (st.) |
|--------|------------------------|--------------|----------|
| 4,5    | Q 45 ...*              | <b>7,82</b>  | 120      |
| 6      | Q 60 ...**             | <b>8,29</b>  | 120      |
| 8      | Q 80 ...**             | <b>9,28</b>  | 120      |
| 10     | Q 100 ...**            | <b>10,16</b> | 120      |
| 11     | Q 110 ...**            | <b>11,37</b> | 120      |
| 12,5   | Q 125 ...**            | <b>12,70</b> | 120      |



Voor 3 m lengte Art.-No. "/300" aanvullen (bijv. Q 60 BW/300).

## Hoek | Verbindingsstuk

## Schlüter®-QUADEC-AC/ED

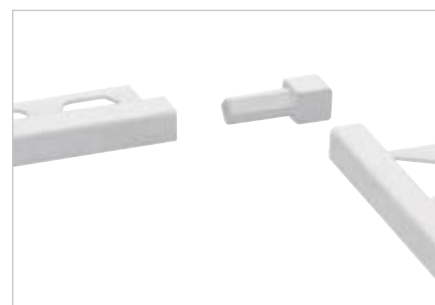
Buitenhoek 90° imitatie metaal-spuitsietwerk

| H (mm) | Art.-No.         | € / St.     | P (st.) |
|--------|------------------|-------------|---------|
| 4,5    | ED / Q 45 ...*   | <b>4,67</b> | 50      |
| 6      | ED / Q 60 ...**  | <b>4,67</b> | 50      |
| 8      | ED / Q 80 ...**  | <b>4,67</b> | 50      |
| 10     | ED / Q 100 ...** | <b>4,67</b> | 50      |
| 11     | ED / Q 110 ...** | <b>4,67</b> | 50      |
| 12,5   | ED / Q 125 ...** | <b>4,67</b> | 50      |

## Schlüter®-QUADEC-AC/EV

Buiten-/binnenhoek 90° voor QUADEC-MBW/MGS massief alu.

| H (mm) | Art.-No.          | € / St.      | P (st.) |
|--------|-------------------|--------------|---------|
| 4,5    | EV / Q 45 ...***  | <b>12,52</b> | 50      |
| 6      | EV / Q 60 ...***  | <b>12,52</b> | 50      |
| 8      | EV / Q 80 ...***  | <b>12,52</b> | 50      |
| 10     | EV / Q 100 ...*** | <b>12,52</b> | 50      |
| 11     | EV / Q 110 ...*** | <b>12,52</b> | 50      |
| 12,5   | EV / Q 125 ...*** | <b>12,52</b> | 50      |



## Schlüter®-RONDEC-A/V

Verbindingsstuk voor aluminium profielen

| H (mm) | Art.-No.   | € / St.     | P (st.) |
|--------|------------|-------------|---------|
| 6      | V / RO 60  | <b>1,27</b> | 50      |
| 8      | V / RO 80  | <b>1,27</b> | 50      |
| 10     | V / RO 100 | <b>1,27</b> | 50      |
| 11     | V / RO 110 | <b>1,27</b> | 50      |
| 12,5   | V / RO 125 | <b>1,27</b> | 50      |

## Schlüter®-QUADEC-A/V

Verbindingsstuk voor aluminium profielen

| H (mm) | Art.-No. | € / St.     | P (st.) |
|--------|----------|-------------|---------|
| 6      | V / Q 60 | <b>1,27</b> | 50      |



Schlüter-RONDEC-A/V voor Schlüter-RONDEC en -QUADEC geschikt. Met uitzondering van H = 6 mm, daarvoor is het Verbindingsstuk V/RO60 voor RONDEC en V/Q60 voor QUADEC beschikbaar.

## Art.-No. kleur toevoegen (bijv. EV / Q 45 MBW)



\* Kleuren: BW - G - MBW - MGS - PG - PW - QG - VG - W

\*\* Kleuren: BW - GS - MBW - MGS - PG - QG - VG - W

\*\*\* Kleuren: MBW - MGS

Kleuren L = 3,00 m: BW - GS - MBW - MGS - PG - QG - VG - W

Een overzicht van de oppervlakken en kleuren vindt u vanaf pagina 342.





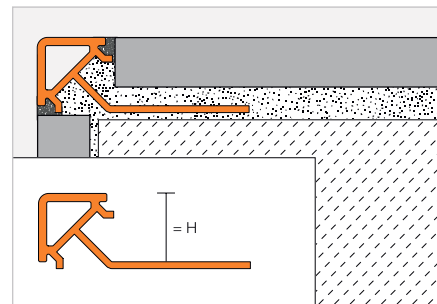
## Afsluitprofiel

### Schlüter®-QUADEC-PQ



Schlüter-QUADEC-PQ is een afsluitprofiel uit gekleurd PVC voor uitwendige hoeken in wandbetegeling en biedt een goede randbescherming. Het zichtbare oppervlak van het profiel vormt een rechthoekige buitenhoek voor de tegelbekleding. Dankzij het voegribje wordt een vaste voegafstand tot de tegel bepaald.

(Productdatablad 2.10)



### Schlüter®-QUADEC-PQ

PVC gekleurd

| H (mm) | L = 2,50 m<br>Art.-No. | € / m       | KV (st.) |
|--------|------------------------|-------------|----------|
| 6      | PQ 60 ...*             | <b>3,08</b> | 240      |
| 8      | PQ 80 ...*             | <b>3,23</b> | 240      |
| 10     | PQ 100 ...*            | <b>3,43</b> | 240      |
| 11     | PQ 110 ...*            | <b>3,60</b> | 240      |
| 12,5   | PQ 125 ...*            | <b>3,70</b> | 240      |

## Hoek

### Schlüter®-QUADEC-PQ/E

Buitenhoek 90°

| H (mm) | Art.-No.        | € / St.     | P (st.) |
|--------|-----------------|-------------|---------|
| 6      | E / PQ 60 ...*  | <b>1,92</b> | 50      |
| 8      | E / PQ 80 ...*  | <b>1,92</b> | 50      |
| 10     | E / PQ 100 ...* | <b>1,92</b> | 50      |
| 11     | E / PQ 110 ...* | <b>1,92</b> | 50      |
| 12,5   | E / PQ 125 ...* | <b>1,92</b> | 50      |



### Art.-No. kleur toevoegen (bijv. E / PQ 60 PG)



\* Kleuren: BH - BW - GS - PG - SP - W

Een overzicht van de oppervlakken en kleuren vindt u vanaf pagina 342.

# Schlüter®-RONDEC

## De perfecte ronding voor hoeken

Met Schlüter-RONDEC hebben we een klassieker in het assortiment die ook in 2026 nog steeds actueel is. Want de zachte uitstraling van de kwartronde randafwerking ziet er niet alleen mooi uit, maar voelt ook bijzonder aangenaam aan. Daarmee is het de ideale oplossing voor sanitaire ruimtes zoals in dit kinderdagverblijf. En wie van bonte kleuren houdt, kan zelfs zijn lievelingskleur kiezen uit 190 RAL-Classic kleuren of een kleur die past bij de armatuur. Met MyDesign by Schlüter-Systems is dit mogelijk.





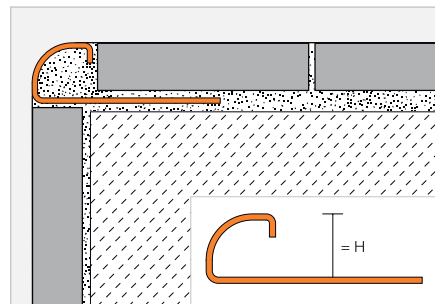
## Afsluitprofiel

### Schlüter®-RONDEC-MC



Schlüter-RODEC-MC is een symmetrisch afgerond profiel voor uitwendige hoeken in wandbetegeling en bekledingsafsluitingen bestaande uit messing met een verchroomd oppervlak.

(Productdatablad 2.1)



#### Schlüter®-RONDEC-MC

Messing verchroomd

| H (mm) | L = 2,50 m<br>Art.-No. | € / m        | KV (st.) |
|--------|------------------------|--------------|----------|
| 6      | RO 60 MC               | <b>33,79</b> | 120      |
| 8      | RO 80 MC               | <b>35,70</b> | 120      |
| 10     | RO 100 MC              | <b>37,23</b> | 120      |
| 11     | RO 110 MC              | <b>38,04</b> | 120      |
| 12,5   | RO 125 MC              | <b>39,27</b> | 120      |

## Hoek

#### Schlüter®-RONDEC-MC/EV

Buitenhoek 90° massief messing verchroomd

| H (mm) | Art.-No.       | € / St.      | P (st.) |
|--------|----------------|--------------|---------|
| 6      | EV / RO 60 MC  | <b>17,33</b> | 50      |
| 8      | EV / RO 80 MC  | <b>18,10</b> | 50      |
| 10     | EV / RO 100 MC | <b>18,87</b> | 50      |
| 11     | EV / RO 110 MC | <b>19,11</b> | 50      |
| 12,5   | EV / RO 125 MC | <b>19,62</b> | 50      |

#### Schlüter®-RONDEC-MC/ED

Buitenhoek 90° imitatie metaal-spuitgietwerk

| H (mm) | Art.-No.       | € / St.     | P (st.) |
|--------|----------------|-------------|---------|
| 6      | ED / RO 60 MC  | <b>3,76</b> | 50      |
| 8      | ED / RO 80 MC  | <b>3,76</b> | 50      |
| 10     | ED / RO 100 MC | <b>3,76</b> | 50      |
| 11     | ED / RO 110 MC | <b>3,76</b> | 50      |
| 12,5   | ED / RO 125 MC | <b>3,76</b> | 50      |



#### Schlüter®-RONDEC-MC/IV

Binnenhoek 90° massief messing verchroomd

| H (mm) | Art.-No.       | € / St.      | P (st.) |
|--------|----------------|--------------|---------|
| 6      | IV / RO 60 MC  | <b>17,33</b> | 50      |
| 8      | IV / RO 80 MC  | <b>18,10</b> | 50      |
| 10     | IV / RO 100 MC | <b>18,87</b> | 50      |
| 11     | IV / RO 110 MC | <b>19,11</b> | 50      |
| 12,5   | IV / RO 125 MC | <b>19,62</b> | 50      |

#### Schlüter®-RONDEC-MC/ID

Binnenhoek 90° imitatie metaal-spuitgietwerk

| H (mm) | Art.-No.       | € / St.     | P (st.) |
|--------|----------------|-------------|---------|
| 6      | ID / RO 60 MC  | <b>3,76</b> | 50      |
| 8      | ID / RO 80 MC  | <b>3,76</b> | 50      |
| 10     | ID / RO 100 MC | <b>3,76</b> | 50      |
| 11     | ID / RO 110 MC | <b>3,76</b> | 50      |
| 12,5   | ID / RO 125 MC | <b>3,76</b> | 50      |



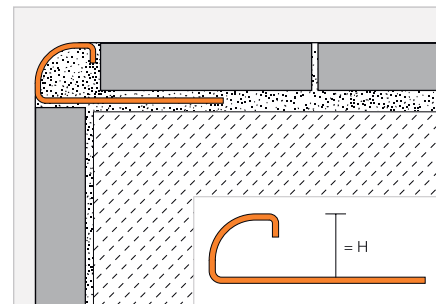
## Afsluitprofiel

## Schlüter®-RONDEC-E



Schlüter-RODEC-E is een symmetrisch afgerond profiel voor uitwendige hoeken in wandbetegeling en bekledingsafsluitingen bestaand uit roestvast staal met verschillende oppervlakken.

(Productdatablad 2.1)



## Schlüter®-RONDEC-E



Roestvast staal V2A

| H (mm) | L = 2,50 m<br>Art.-No. | € / m | KV (st.) |
|--------|------------------------|-------|----------|
| 4,5    | RO 45 E                | 14,27 | 120      |
| 6      | RO 60 E                | 14,57 | 120      |
| 7      | RO 70 E                | 15,26 | 120      |
| 8      | RO 80 E                | 15,71 | 120      |
| 9      | RO 90 E                | 16,36 | 120      |
| 10     | RO 100 E               | 16,81 | 120      |
| 11     | RO 110 E               | 17,47 | 120      |
| 12,5   | RO 125 E               | 17,84 | 120      |
| 15     | RO 150 E               | 19,62 | 120      |
|        | <b>L = 1,00 m</b>      |       |          |
| 6      | RO 60 E/100            | 15,18 | 120      |
| 8      | RO 80 E/100            | 16,31 | 120      |
| 10     | RO 100 E/100           | 17,45 | 120      |
| 12,5   | RO 125 E/100           | 18,48 | 120      |

## Schlüter®-RONDEC-EB



Roestvast staal V2A geborsteld

| H (mm) | L = 2,50 m<br>Art.-No. | € / m | KV (st.) |
|--------|------------------------|-------|----------|
| –      | –                      | –     | –        |
| 6      | RO 60 EB               | 19,13 | 120      |
| 7      | RO 70 EB               | 19,97 | 120      |
| 8      | RO 80 EB               | 20,60 | 120      |
| 9      | RO 90 EB               | 21,36 | 120      |
| 10     | RO 100 EB              | 22,09 | 120      |
| 11     | RO 110 EB              | 22,72 | 120      |
| 12,5   | RO 125 EB              | 23,45 | 120      |
| 15     | RO 150 EB              | 25,79 | 120      |

## Schlüter®-RONDEC-EP



Roestvast staal V2A glanzend gepolijst

| H (mm) | L = 2,50 m<br>Art.-No. | € / m | KV (st.) |
|--------|------------------------|-------|----------|
| –      | –                      | –     | –        |
| 6      | RO 60 EP               | 28,04 | 120      |
| –      | –                      | –     | –        |
| 8      | RO 80 EP               | 29,13 | 120      |
| –      | –                      | –     | –        |
| 10     | RO 100 EP              | 30,31 | 120      |
| –      | –                      | –     | –        |
| 12,5   | RO 125 EP              | 31,47 | 120      |
| 15     | RO 150 EP              | 32,92 | 120      |

## Opmerking:

Om productietechnische redenen kunnen producten met L = 1,00 m niet worden voorzien van een speciale perforatie.

Voor 3 m lengte Art.-No. "/300" aanvullen (bijv. RO 60 E/300).

## Schlüter®-RONDEC-E V4A



Roestvast staal V4A

| H (mm) | L = 2,50 m<br>Art.-No. | € / m | KV (st.) |
|--------|------------------------|-------|----------|
| 6      | RO 60 E/V4A            | 16,45 | 120      |
| 8      | RO 80 E/V4A            | 17,69 | 120      |
| 10     | RO 100 E/V4A           | 18,94 | 120      |
| 12,5   | RO 125 E/V4A           | 20,21 | 120      |

## Hoek | Eindkapje | Verbindingsstuk

## Schlüter®-RONDEC-E/EV

Buitenhoek 90° massief roestvast staal V2A

| H (mm) | Art.-No.      | € / St. | P (st.) |
|--------|---------------|---------|---------|
| 4,5    | EV / RO 45 E  | 24,27   | 50      |
| 6      | EV / RO 60 E  | 24,27   | 50      |
| 7      | EV / RO 70 E  | 24,92   | 50      |
| 8      | EV / RO 80 E  | 24,92   | 50      |
| 9      | EV / RO 90 E  | 26,93   | 50      |
| 10     | EV / RO 100 E | 26,93   | 50      |
| 11     | EV / RO 110 E | 27,53   | 50      |
| 12,5   | EV / RO 125 E | 27,53   | 50      |
| 15     | EV / RO 150 E | 34,49   | 50      |

## Schlüter®-RONDEC-E/ED

Buitenhoek 90° imitatie metaal-spuitsietwerk

| H (mm) | Art.-No.      | € / St. | P (st.) |
|--------|---------------|---------|---------|
| 4,5    | ED / RO 45 E  | 3,82    | 50      |
| 6      | ED / RO 60 E  | 3,82    | 50      |
| 7      | ED / RO 70 E  | 3,82    | 50      |
| 8      | ED / RO 80 E  | 3,82    | 50      |
| 9      | ED / RO 90 E  | 3,82    | 50      |
| 10     | ED / RO 100 E | 3,82    | 50      |
| 11     | ED / RO 110 E | 3,82    | 50      |
| 12,5   | ED / RO 125 E | 3,82    | 50      |
| 15     | ED / RO 150 E | 3,82    | 50      |

## Schlüter®-RONDEC-E/ID

Binnenhoek 90° imitatie metaal-spuitsietwerk

| H (mm) | Art.-No.      | € / St. | P (st.) |
|--------|---------------|---------|---------|
| 4,5    | ID / RO 45 E  | 3,82    | 50      |
| 6      | ID / RO 60 E  | 3,82    | 50      |
| 7      | ID / RO 70 E  | 3,82    | 50      |
| 8      | ID / RO 80 E  | 3,82    | 50      |
| 9      | ID / RO 90 E  | 3,82    | 50      |
| 10     | ID / RO 100 E | 3,82    | 50      |
| 11     | ID / RO 110 E | 3,82    | 50      |
| 12,5   | ID / RO 125 E | 3,82    | 50      |
| 15     | ID / RO 150 E | 3,82    | 50      |



## Hoek | Eindkapje | Verbindingsstuk

### Schlüter®-RONDEC-EB/EV

Buitenhoek 90°  
massief roestvast staal V2A geborsteld

| H (mm) | Art.-No.       | € / St.      | P (st.) |
|--------|----------------|--------------|---------|
| 6      | EV / RO 60 EB  | <b>28,23</b> | 50      |
| 7      | EV / RO 70 EB  | <b>28,67</b> | 50      |
| 8      | EV / RO 80 EB  | <b>28,94</b> | 50      |
| 9      | EV / RO 90 EB  | <b>30,73</b> | 50      |
| 10     | EV / RO 100 EB | <b>31,26</b> | 50      |
| 11     | EV / RO 110 EB | <b>31,46</b> | 50      |
| 12,5   | EV / RO 125 EB | <b>31,94</b> | 50      |
| 15     | EV / RO 150 EB | <b>40,12</b> | 50      |

### Schlüter®-RONDEC-EB/ED

Buitenhoek 90°  
imitatie metaal-spuitsietwerk geborsteld

| H (mm) | Art.-No.       | € / St.     | P (st.) |
|--------|----------------|-------------|---------|
| 6      | ED / RO 60 EB  | <b>6,02</b> | 50      |
| 7      | ED / RO 70 EB  | <b>6,02</b> | 50      |
| 8      | ED / RO 80 EB  | <b>6,02</b> | 50      |
| 9      | ED / RO 90 EB  | <b>6,02</b> | 50      |
| 10     | ED / RO 100 EB | <b>6,02</b> | 50      |
| 11     | ED / RO 110 EB | <b>6,02</b> | 50      |
| 12,5   | ED / RO 125 EB | <b>6,02</b> | 50      |
| 15     | ED / RO 150 EB | <b>6,02</b> | 50      |

### Schlüter®-RONDEC-EB/ID

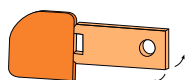
Binnenhoek 90°  
imitatie metaal-spuitsietwerk geborsteld

| H (mm) | Art.-No.       | € / St.     | P (st.) |
|--------|----------------|-------------|---------|
| 6      | ID / RO 60 EB  | <b>6,02</b> | 50      |
| 7      | ID / RO 70 EB  | <b>6,02</b> | 50      |
| 8      | ID / RO 80 EB  | <b>6,02</b> | 50      |
| 9      | ID / RO 90 EB  | <b>6,02</b> | 50      |
| 10     | ID / RO 100 EB | <b>6,02</b> | 50      |
| 11     | ID / RO 110 EB | <b>6,02</b> | 50      |
| 12,5   | ID / RO 125 EB | <b>6,02</b> | 50      |
| 15     | ID / RO 150 EB | <b>6,02</b> | 50      |

### Schlüter®-RONDEC-EB/EK\*

Eindkapje roestvast staal V2A geborsteld

| H (mm) | Art.-No.       | € / St.     | P (st.) |
|--------|----------------|-------------|---------|
| 4,5    | EK / RO 45 EB  | <b>2,41</b> | 50      |
| 6      | EK / RO 60 EB  | <b>2,41</b> | 50      |
| 7      | EK / RO 70 EB  | <b>2,41</b> | 50      |
| 8      | EK / RO 80 EB  | <b>2,41</b> | 50      |
| 9      | EK / RO 90 EB  | <b>2,41</b> | 50      |
| 10     | EK / RO 100 EB | <b>2,41</b> | 50      |
| 11     | EK / RO 110 EB | <b>2,41</b> | 50      |
| 12,5   | EK / RO 125 EB | <b>2,41</b> | 50      |
| 15     | EK / RO 150 EB | <b>2,41</b> | 50      |



Schlüter-RONDEC-EB/EK

\* Voor Schlüter-RONDEC-E en -EB geschikt.

### Schlüter®-RONDEC-EP/EV

Buitenhoek 90°  
massief roestvast staal V2A gepolijst

| H (mm) | Art.-No.       | € / St.      | P (st.) |
|--------|----------------|--------------|---------|
| 6      | EV / RO 60 EP  | <b>28,59</b> | 50      |
| 8      | EV / RO 80 EP  | <b>29,32</b> | 50      |
| 10     | EV / RO 100 EP | <b>31,65</b> | 50      |
| 12,5   | EV / RO 125 EP | <b>32,35</b> | 50      |
| 15     | EV / RO 150 EP | <b>40,61</b> | 50      |

### Schlüter®-RONDEC-EP/ED

Buitenhoek 90°  
imitatie metaal-spuitsietwerk gepolijst

| H (mm) | Art.-No.       | € / St.     | P (st.) |
|--------|----------------|-------------|---------|
| 6      | ED / RO 60 EP  | <b>3,87</b> | 50      |
| 8      | ED / RO 80 EP  | <b>3,87</b> | 50      |
| 10     | ED / RO 100 EP | <b>3,87</b> | 50      |
| 12,5   | ED / RO 125 EP | <b>3,87</b> | 50      |
| 15     | ED / RO 150 EP | <b>3,87</b> | 50      |

### Schlüter®-RONDEC-EP/ID

Binnenhoek 90°  
imitatie metaal-spuitsietwerk gepolijst

| H (mm) | Art.-No.       | € / St.     | P (st.) |
|--------|----------------|-------------|---------|
| 6      | ID / RO 60 EP  | <b>3,87</b> | 50      |
| 8      | ID / RO 80 EP  | <b>3,87</b> | 50      |
| 10     | ID / RO 100 EP | <b>3,87</b> | 50      |
| 12,5   | ID / RO 125 EP | <b>3,87</b> | 50      |
| 15     | ID / RO 150 EP | <b>3,87</b> | 50      |

### Schlüter®-RONDEC-E V4A/EV

Buitenhoek 90° massief roestvast staal V4A

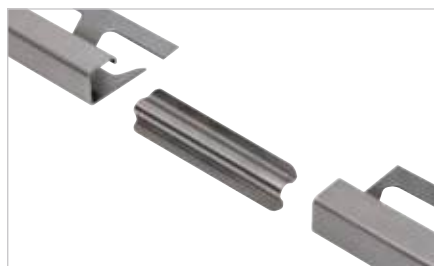
| H (mm) | Art.-No.          | € / St.      | P (st.) |
|--------|-------------------|--------------|---------|
| 6      | EV / RO 60 E/V4A  | <b>27,00</b> | 50      |
| 8      | EV / RO 80 E/V4A  | <b>27,66</b> | 50      |
| 10     | EV / RO 100 E/V4A | <b>29,91</b> | 50      |
| 12,5   | EV / RO 125 E/V4A | <b>30,58</b> | 50      |



### Schlüter®-RONDEC-E/V

Verbindingsstuk voor roestvaststalen profielen

| H (mm) | Art.-No.     | € / St.     | P (st.) |
|--------|--------------|-------------|---------|
| 6      | V / RO 60 E  | <b>2,38</b> | 50      |
| 8      | V / RO 80 E  | <b>2,38</b> | 50      |
| 10     | V / RO 100 E | <b>2,38</b> | 50      |
| 11     | V / RO 110 E | <b>2,38</b> | 50      |
| 12,5   | V / RO 125 E | <b>2,38</b> | 50      |



Voor Schlüter-RONDEC en -QUADEC geschikt.

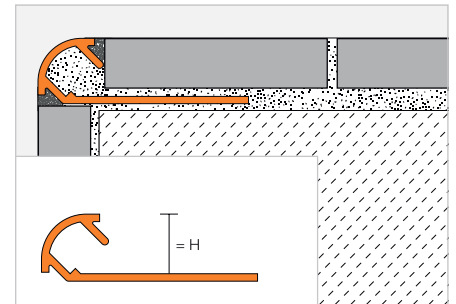
## Afsluitprofiel

## Schlüter®-RONDEC-TS



Schlüter-RODEC-TS is een symmetrisch afgerond profiel met voegribje voor uitwendige hoeken in wandbetegeling en bekledingsafsluitingen bestaande uit aluminium met een bijzondere structuurcoating. Dankzij het voegribje wordt een vaste voegafstand tot de tegel bepaald.

(Productdatablad 2.1)



## Schlüter®-RONDEC-AC



Alu. met kleurcoating

| H (mm) |   | L = 2,50 m<br>Art.-No. | € / m | KV (st.) |
|--------|---|------------------------|-------|----------|
| 6      | ⊗ | RO 60 ...*             | 7,93  | 120      |
| 8      | ⊗ | RO 80 ...*             | 8,83  | 120      |
| 10     | ⊗ | RO 100 ...*            | 9,70  | 120      |
| 11     | ⊗ | RO 110 ...*            | 10,94 | 120      |
| 12,5   | ⊗ | RO 125 ...*            | 12,10 | 120      |

## Schlüter®-RONDEC-TS



Alu. structuur-gecoat

| H (mm) |   | L = 2,50 m<br>Art.-No. | € / m | KV (st.) |
|--------|---|------------------------|-------|----------|
| 6      | ⊗ | RO 60 ...**            | 15,16 | 120      |
| 8      | ⊗ | RO 80 ...**            | 16,14 | 120      |
| 10     | ⊗ | RO 100 ...**           | 17,15 | 120      |
| 11     | ⊗ | RO 110 ...**           | 17,80 | 120      |
| 12,5   | ⊗ | RO 125 ...**           | 18,80 | 120      |

Voor 3 m lengte Art.-No. "/300" aanvullen (bijv. RO 60 TS/300).

## Hoek

## Schlüter®-RONDEC-AC/ED

Buitenhoek 90° voor RONDEC-MBW/-MGS imitatie metaal-spuitsietwerk

| H (mm) |  | Art.-No.         | € / St. | P (st.) |
|--------|--|------------------|---------|---------|
| 6      |  | ED / RO 60 ...*  | 3,76    | 50      |
| 8      |  | ED / RO 80 ...*  | 3,76    | 50      |
| 10     |  | ED / RO 100 ...* | 3,76    | 50      |
| 11     |  | ED / RO 110 ...* | 3,76    | 50      |
| 12,5   |  | ED / RO 125 ...* | 3,76    | 50      |

## Schlüter®-RONDEC-TS/EV

Buitenhoek 90° alu. structuur-gecoat

| H (mm) |  | Art.-No.          | € / St. | P (st.) |
|--------|--|-------------------|---------|---------|
| 6      |  | EV / RO 60 ...**  | 12,52   | 50      |
| 8      |  | EV / RO 80 ...**  | 12,52   | 50      |
| 10     |  | EV / RO 100 ...** | 12,52   | 50      |
| 11     |  | EV / RO 110 ...** | 12,52   | 50      |
| 12,5   |  | EV / RO 125 ...** | 12,52   | 50      |



## Schlüter®-RONDEC-AC/ID

Binnenhoek 90° voor RONDEC-MBW/-MGS imitatie metaal-spuitsietwerk

| H (mm) |  | Art.-No.         | € / St. | P (st.) |
|--------|--|------------------|---------|---------|
| 6      |  | ID / RO 60 ...*  | 3,76    | 50      |
| 8      |  | ID / RO 80 ...*  | 3,76    | 50      |
| 10     |  | ID / RO 100 ...* | 3,76    | 50      |
| 11     |  | ID / RO 110 ...* | 3,76    | 50      |
| 12,5   |  | ID / RO 125 ...* | 3,76    | 50      |

## Schlüter®-RONDEC-TS/IV

Binnenhoek 90° alu. structuur-gecoat

| H (mm) |  | Art.-No.          | € / St. | P (st.) |
|--------|--|-------------------|---------|---------|
| 6      |  | IV / RO 60 ...**  | 12,52   | 50      |
| 8      |  | IV / RO 80 ...**  | 12,52   | 50      |
| 10     |  | IV / RO 100 ...** | 12,52   | 50      |
| 11     |  | IV / RO 110 ...** | 12,52   | 50      |
| 12,5   |  | IV / RO 125 ...** | 12,52   | 50      |

## Schlüter®-RONDEC-A/V

Verbindingsstuk voor aluminium profielen

| H (mm) |  | Art.-No.   | € / St. | P (st.) |
|--------|--|------------|---------|---------|
| 6      |  | V / RO 60  | 1,27    | 50      |
| 8      |  | V / RO 80  | 1,27    | 50      |
| 10     |  | V / RO 100 | 1,27    | 50      |
| 11     |  | V / RO 110 | 1,27    | 50      |
| 12,5   |  | V / RO 125 | 1,27    | 50      |

Art.-No. aanvullen met oppervlak/kleur (bijv. IV / RO 60 TSC)

\* Oppervlakken/kleuren: MBW - MGS

\*\* Oppervlakken/kleuren: TSB - TSBG - TSC - TSDA - TSG - TSI - TSLA - TSOB - TSR - TSSG

## Beschikbare oppervlakken | Kleuren



Een overzicht van de oppervlakken en kleuren vindt u vanaf pagina 342.

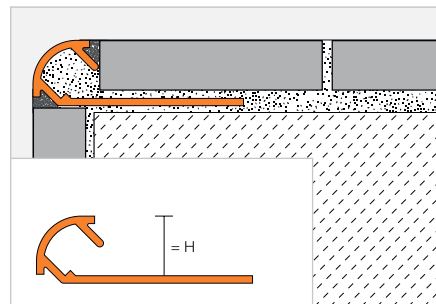


## Afsluitprofiel

### Schlüter®-RONDEC-A



Schlüter-RODEC-A geanodiseerd is een symmetrisch afgerond profiel met voegribje voor uitwendige hoeken in wandbetegeling en bekledingsafsluitingen bestaande uit aluminium met diverse geanodiseerde oppervlakken. Dankzij het voegribje wordt een vaste voegafstand tot de tegel bepaald. (Productdatablad 2.1)



#### Schlüter®-RONDEC-AE



Alu. bruut mat geanodiseerd

| H (mm) | L = 2,50 m Art.-No. | € / m       | KV (st.) |
|--------|---------------------|-------------|----------|
| 6      | RO 60 AE            | <b>6,64</b> | 120      |
| 8      | RO 80 AE            | <b>7,20</b> | 120      |
| 9      | RO 90 AE            | <b>7,51</b> | 120      |
| 10     | RO 100 AE           | <b>7,85</b> | 120      |
| 11     | RO 110 AE           | <b>8,09</b> | 120      |
| 12,5   | RO 125 AE           | <b>8,38</b> | 120      |
| 15     | RO 150 AE           | <b>8,91</b> | 120      |

#### Schlüter®-RONDEC-ACG



Alu. chroom glanzend geanodiseerd

| H (mm) | L = 2,50 m Art.-No. | € / m        | KV (st.) |
|--------|---------------------|--------------|----------|
| 6      | RO 60 ACG           | <b>15,06</b> | 120      |
| 8      | RO 80 ACG           | <b>15,81</b> | 120      |
| 9      | RO 90 ACG           | <b>16,27</b> | 120      |
| 10     | RO 100 ACG          | <b>16,76</b> | 120      |
| 11     | RO 110 ACG          | <b>17,72</b> | 120      |
| 12,5   | RO 125 ACG          | <b>18,68</b> | 120      |
| 15     | RO 150 ACG          | <b>19,45</b> | 120      |

#### Schlüter®-RONDEC-ACGB



Alu. chroom geborsteld geanodiseerd

| H (mm) | L = 2,50 m Art.-No. | € / m        | KV (st.) |
|--------|---------------------|--------------|----------|
| 6      | RO 60 ACGB          | <b>15,28</b> | 120      |
| 8      | RO 80 ACGB          | <b>17,15</b> | 120      |
| 9      | RO 90 ACGB          | <b>17,60</b> | 120      |
| 10     | RO 100 ACGB         | <b>18,04</b> | 120      |
| 11     | RO 110 ACGB         | <b>18,44</b> | 120      |
| 12,5   | RO 125 ACGB         | <b>18,90</b> | 120      |
| 15     | RO 150 ACGB         | <b>19,74</b> | 120      |

#### Schlüter®-RONDEC-AM



Alu. messing mat geanodiseerd

| H (mm) | L = 2,50 m Art.-No. | € / m       | KV (st.) |
|--------|---------------------|-------------|----------|
| 6      | RO 60 AM            | <b>6,98</b> | 120      |
| 8      | RO 80 AM            | <b>7,63</b> | 120      |
| 10     | RO 100 AM           | <b>8,24</b> | 120      |
| 12,5   | RO 125 AM           | <b>9,12</b> | 120      |

#### Schlüter®-RONDEC-AMG



Alu. messing glanzend geanodiseerd

| H (mm) | L = 2,50 m Art.-No. | € / m        | KV (st.) |
|--------|---------------------|--------------|----------|
| 6      | RO 60 AMG           | <b>15,06</b> | 120      |
| 8      | RO 80 AMG           | <b>15,81</b> | 120      |
| 10     | RO 100 AMG          | <b>16,76</b> | 120      |
| 12,5   | RO 125 AMG          | <b>18,68</b> | 120      |

#### Schlüter®-RONDEC-AMGB



Alu. messing geborsteld geanodiseerd

| H (mm) | L = 2,50 m Art.-No. | € / m        | KV (st.) |
|--------|---------------------|--------------|----------|
| 6      | RO 60 AMGB          | <b>15,28</b> | 120      |
| 8      | RO 80 AMGB          | <b>17,15</b> | 120      |
| 10     | RO 100 AMGB         | <b>18,04</b> | 120      |
| 12,5   | RO 125 AMGB         | <b>18,90</b> | 120      |

#### Schlüter®-RONDEC-AK



Alu. koper mat geanodiseerd

| H (mm) | L = 2,50 m Art.-No. | € / m       | KV (st.) |
|--------|---------------------|-------------|----------|
| 6      | RO 60 AK            | <b>6,98</b> | 120      |
| 8      | RO 80 AK            | <b>7,63</b> | 120      |
| 10     | RO 100 AK           | <b>8,24</b> | 120      |
| 12,5   | RO 125 AK           | <b>9,12</b> | 120      |

#### Schlüter®-RONDEC-AKG



Alu. koper glanzend geanodiseerd

| H (mm) | L = 2,50 m Art.-No. | € / m        | KV (st.) |
|--------|---------------------|--------------|----------|
| 6      | RO 60 AKG           | <b>15,06</b> | 120      |
| 8      | RO 80 AKG           | <b>15,81</b> | 120      |
| 10     | RO 100 AKG          | <b>16,76</b> | 120      |
| 12,5   | RO 125 AKG          | <b>18,68</b> | 120      |

#### Schlüter®-RONDEC-AKGB



Alu. koper geborsteld geanodiseerd

| H (mm) | L = 2,50 m Art.-No. | € / m        | KV (st.) |
|--------|---------------------|--------------|----------|
| 6      | RO 60 AKGB          | <b>15,28</b> | 120      |
| 8      | RO 80 AKGB          | <b>17,15</b> | 120      |
| 10     | RO 100 AKGB         | <b>18,04</b> | 120      |
| 12,5   | RO 125 AKGB         | <b>18,90</b> | 120      |

#### Schlüter®-RONDEC-AT



Alu. titanium mat geanodiseerd

| H (mm) | L = 2,50 m Art.-No. | € / m       | KV (st.) |
|--------|---------------------|-------------|----------|
| 6      | RO 60 AT            | <b>6,98</b> | 120      |
| 8      | RO 80 AT            | <b>7,63</b> | 120      |
| 10     | RO 100 AT           | <b>8,24</b> | 120      |
| 12,5   | RO 125 AT           | <b>9,12</b> | 120      |

#### Schlüter®-RONDEC-ATG



Alu. titanium glanzend geanodiseerd

| H (mm) | L = 2,50 m Art.-No. | € / m        | KV (st.) |
|--------|---------------------|--------------|----------|
| 6      | RO 60 ATG           | <b>15,06</b> | 120      |
| 8      | RO 80 ATG           | <b>15,81</b> | 120      |
| 10     | RO 100 ATG          | <b>16,76</b> | 120      |
| 12,5   | RO 125 ATG          | <b>18,68</b> | 120      |

#### Schlüter®-RONDEC-ATGB



Alu. titanium geborsteld geanodiseerd

| H (mm) | L = 2,50 m Art.-No. | € / m        | KV (st.) |
|--------|---------------------|--------------|----------|
| 6      | RO 60 ATGB          | <b>15,28</b> | 120      |
| 8      | RO 80 ATGB          | <b>17,15</b> | 120      |
| 10     | RO 100 ATGB         | <b>18,04</b> | 120      |
| 12,5   | RO 125 ATGB         | <b>18,90</b> | 120      |

#### Opmerking:

Schlüter-RODEC-A profielen in 15 mm hoogte zijn niet met radiusperforatie verkrijgbaar. Voor 3 m lengte Art.-No. "/300" aanvullen (bijv. RO 60 AE/300).

**Schlüter®-RONDEC-AGSB**

Alu. grafietzwart geborsteld geanodiseerd

| H (mm) | L = 2,50 m<br>Art.-No. | € / m        | KV (st.) |
|--------|------------------------|--------------|----------|
| 6      | RO 60 AGSB             | <b>15,28</b> | 120      |
| 8      | RO 80 AGSB             | <b>17,15</b> | 120      |
| 10     | RO 100 AGSB            | <b>18,04</b> | 120      |
| 12,5   | RO 125 AGSB            | <b>18,90</b> | 120      |

**Hoek | Verbindingsstuk****Schlüter®-RONDEC-A/EV**

Buitenhoek 90° massief alu.

| H (mm) | Art.-No.          | € / St.      | P (st.) |
|--------|-------------------|--------------|---------|
| 6      | EV / RO 60 ...*   | <b>8,69</b>  | 50      |
| 8      | EV / RO 80 ...*   | <b>9,07</b>  | 50      |
| 9      | EV / RO 90 ...**  | <b>9,26</b>  | 50      |
| 10     | EV / RO 100 ...*  | <b>9,42</b>  | 50      |
| 11     | EV / RO 110 ...** | <b>9,57</b>  | 50      |
| 12,5   | EV / RO 125 ...*  | <b>9,82</b>  | 50      |
| 15     | EV / RO 150 ...** | <b>10,15</b> | 50      |

**Schlüter®-RONDEC-A/ED**

Buitenhoek 90° imitatie metaal-spuitsietwerk

| H (mm) | Art.-No.           | € / St.     | P (st.) |
|--------|--------------------|-------------|---------|
| 6      | ED / RO 60 ...***  | <b>3,76</b> | 50      |
| 8      | ED / RO 80 ...***  | <b>3,76</b> | 50      |
| 9      | ED / RO 90 ...**   | <b>3,76</b> | 50      |
| 10     | ED / RO 100 ...*** | <b>3,76</b> | 50      |
| 11     | ED / RO 110 ...**  | <b>3,76</b> | 50      |
| 12,5   | ED / RO 125 ...*** | <b>3,76</b> | 50      |
| 15     | ED / RO 150 ...**  | <b>3,76</b> | 50      |

**Schlüter®-RONDEC-A/IV**

Binnenhoek 90° massief alu.

| H (mm) | Art.-No.          | € / St.      | P (st.) |
|--------|-------------------|--------------|---------|
| 6      | IV / RO 60 ...*   | <b>8,69</b>  | 50      |
| 8      | IV / RO 80 ...*   | <b>9,07</b>  | 50      |
| 9      | IV / RO 90 ...**  | <b>9,26</b>  | 50      |
| 10     | IV / RO 100 ...*  | <b>9,42</b>  | 50      |
| 11     | IV / RO 110 ...** | <b>9,57</b>  | 50      |
| 12,5   | IV / RO 125 ...*  | <b>9,82</b>  | 50      |
| 15     | IV / RO 150 ...** | <b>10,15</b> | 50      |

**Schlüter®-RONDEC-A/ID**

Binnenhoek 90° imitatie metaal-spuitsietwerk

| H (mm) | Art.-No.           | € / St.     | P (st.) |
|--------|--------------------|-------------|---------|
| 6      | ID / RO 60 ...***  | <b>3,76</b> | 50      |
| 8      | ID / RO 80 ...***  | <b>3,76</b> | 50      |
| 9      | ID / RO 90 ...**   | <b>3,76</b> | 50      |
| 10     | ID / RO 100 ...*** | <b>3,76</b> | 50      |
| 11     | ID / RO 110 ...**  | <b>3,76</b> | 50      |
| 12,5   | ID / RO 125 ...*** | <b>3,76</b> | 50      |
| 15     | ID / RO 150 ...**  | <b>3,76</b> | 50      |

**Schlüter®-RONDEC-A/V**

Verbindingsstuk voor aluminium profielen

| H (mm) | Art.-No.   | € / St.     | P (st.) |
|--------|------------|-------------|---------|
| 6      | V / RO 60  | <b>1,27</b> | 50      |
| 8      | V / RO 80  | <b>1,27</b> | 50      |
| 10     | V / RO 100 | <b>1,27</b> | 50      |
| 11     | V / RO 110 | <b>1,27</b> | 50      |
| 12,5   | V / RO 125 | <b>1,27</b> | 50      |



Het verbindingsstuk Schlüter-RODEC-A/V in de hoogte 6-12,5 mm kan voor Schlüter-RODEC en -QUADEC worden gebruikt.

**Art.-No. aanvullen met oppervlak (bijv. ID / RO 60 AT)**

\* Oppervlakken: ACG - ACGB - AE - AGSB - AK - AKG - AKGB - AM - AMG - AMGB - AT - ATG - ATGB

\*\* Oppervlakken: ACG - ACGB - AE

\*\*\* Oppervlakken: ACG - ACGB - AE - AT - ATG - ATGB

Een overzicht van de oppervlakken en kleuren vindt u vanaf pagina 342.



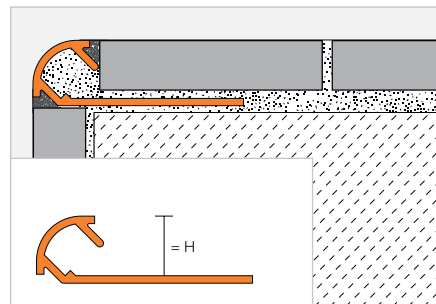
## Afsluitprofiel

### Schlüter®-RONDEC-AC



Schlüter-RODEC-AC is een symmetrisch afgerond profiel met voegribje voor uitwendige hoeken in wandbetegeling en bekledingsafsluitingen bestaand uit aluminium met een gekleurde coating. Dankzij het voegribje wordt een vaste voegafstand tot de tegel bepaald.

(Productdatablad 2.1)



#### Schlüter®-RONDEC-AC



Alu. met kleurcoating

| H (mm) | L = 2,50 m<br>Art.-No. | € / m | KV (st.) |
|--------|------------------------|-------|----------|
| 6      | RO 60 ...*             | 7,93  | 120      |
| 8      | RO 80 ...*             | 8,83  | 120      |
| 10     | RO 100 ...*            | 9,70  | 120      |
| 11     | RO 110 ...**           | 10,94 | 120      |
| 12,5   | RO 125 ...*            | 12,10 | 120      |



Voor 3 m lengte Art.-No. "/300" aanvullen (bijv. RO 60 BW/300).

## Hoek | Verbindingsstuk

### Schlüter®-RONDEC-AC/ED

Buitenhoek 90° imitatie metaal-spuitsietwerk

| H (mm) | Art.-No.          | € / St. | P (st.) |
|--------|-------------------|---------|---------|
| 6      | ED / RO 60 ...*   | 3,76    | 50      |
| 8      | ED / RO 80 ...*   | 3,76    | 50      |
| 10     | ED / RO 100 ...*  | 3,76    | 50      |
| 11     | ED / RO 110 ...** | 3,76    | 50      |
| 12,5   | ED / RO 125 ...*  | 3,76    | 50      |

### Schlüter®-RONDEC-AC/ID

Binnenhoek 90° imitatie metaal-spuitsietwerk

| H (mm) | Art.-No.          | € / St. | P (st.) |
|--------|-------------------|---------|---------|
| 6      | ID / RO 60 ...*   | 3,76    | 50      |
| 8      | ID / RO 80 ...*   | 3,76    | 50      |
| 10     | ID / RO 100 ...*  | 3,76    | 50      |
| 11     | ID / RO 110 ...** | 3,76    | 50      |
| 12,5   | ID / RO 125 ...*  | 3,76    | 50      |



### Schlüter®-RONDEC-A/V

Verbindingsstuk voor aluminium profielen

| H (mm) | Art.-No.   | € / St. | P (st.) |
|--------|------------|---------|---------|
| 6      | V / RO 60  | 1,27    | 50      |
| 8      | V / RO 80  | 1,27    | 50      |
| 10     | V / RO 100 | 1,27    | 50      |
| 11     | V / RO 110 | 1,27    | 50      |
| 12,5   | V / RO 125 | 1,27    | 50      |



Het verbindingsstuk Schlüter-RODEC-A/V in de hoogte 6–12,5 mm kan voor Schlüter-RODEC en -QUADEC worden gebruikt.

#### Art.-No. kleur toevoegen (bijv. ID / RO 60 GM)



\* Kleuren L = 2,50 m: BH - BW - G - GM - GS - HB - HG - MBW - MGS - PG - W

\*\* Kleuren L = 2,50 m: BH - BW - MBW - MGS - PG - W

Kleuren L = 3,00 m: BW - MBW - MGS - PG - W

Een overzicht van de oppervlakken en kleuren vindt u vanaf pagina 342.

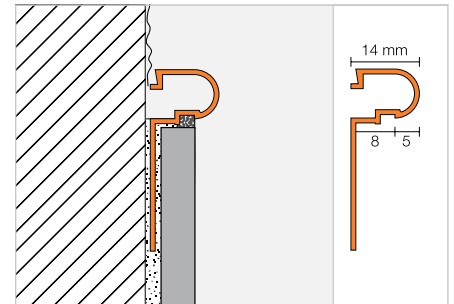
## Afsluitprofiel



## Schlüter®-RONDEC-DB



Schlüter-RODEC-DB is een decoratief profiel voor wand- en plintafsluitingen met een geaccentueerde profielronning.  
(Productdatablad 2.5)



## Schlüter®-RONDEC-DB-A

Aluminium

| L = 2,50 m<br>Art.-No. | € / m | KV (st.) |
|------------------------|-------|----------|
| DB 14 A                | 8,83  | 120      |

## Schlüter®-RONDEC-DB-AE

Alu. bruut mat geanodiseerd

| L = 2,50 m<br>Art.-No. | € / m | KV (st.) |
|------------------------|-------|----------|
| DB 14 AE               | 11,87 | 120      |

## Schlüter®-RONDEC-DB-AM

Alu. messing mat geanodiseerd

| L = 2,50 m<br>Art.-No. | € / m | KV (st.) |
|------------------------|-------|----------|
| DB 14 AM               | 11,87 | 120      |

## Schlüter®-RONDEC-DB-AC

Alu. met kleurcoating

| L = 2,50 m<br>Art.-No. | € / m | KV (st.) |
|------------------------|-------|----------|
| DB 14 ...*             | 13,74 | 120      |



## Art.-No. kleur toevoegen (bijv. DB 14 MBW)

BW MBW MGS

\* Kleuren: BW - MBW - MGS

Een overzicht van de oppervlakken en kleuren vindt u vanaf pagina 342.



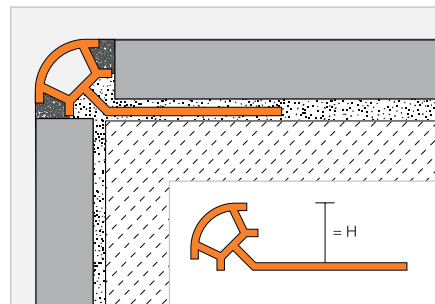
## Afsluitprofiel

### Schlüter®-RONDEC-PRO



Schlüter-RONDEC-PRO is een decoratief profiel uit gekleurd PVC voor symmetrisch afgeronde buitenhoeken in wandbeteugelingen, plinttegels en andere begrenzingen. De tegelkanten worden beschermd tegen mechanische beschadiging. Dankzij het voegribje wordt een vaste voegafstand tot de tegel bepaald.

(Productdatablad 2.1)



#### Schlüter®-RONDEC-PRO

PVC gekleurd

| H (mm) |   | L = 2,50 m<br>Art.-No. | € / m | KV (st.) |
|--------|---|------------------------|-------|----------|
| 6      | ⊗ | PRO 60 ...*            | 3,13  | 240      |
| 8      | ⊗ | PRO 80 ...*            | 3,28  | 240      |
| 10     | ⊗ | PRO 100 ...*           | 3,54  | 240      |
| 11     | ⊗ | PRO 110 ...**          | 3,67  | 240      |
| 12,5   | ⊗ | PRO 125 ...**          | 3,77  | 240      |

Voor 3 m lengte Art.-No. "/300" aanvullen (bijv. PRO 60 BW/300).

## Hoek



#### Schlüter®-RONDEC-PRO/E

Buitenhoek 90°

| H (mm) | Art.-No.          | € / St. | P (st.) |
|--------|-------------------|---------|---------|
| 6      | E / PRO 60 ...*   | 1,99    | 50      |
| 8      | E / PRO 80 ...*   | 1,99    | 50      |
| 10     | E / PRO 100 ...*  | 1,99    | 50      |
| 11     | E / PRO 110 ...** | 1,99    | 50      |
| 12,5   | E / PRO 125 ...** | 1,99    | 50      |

#### Schlüter®-RONDEC-PRO/I

Binnenhoek 90°

| H (mm) | Art.-No.          | € / St. | P (st.) |
|--------|-------------------|---------|---------|
| 6      | I / PRO 60 ...*   | 1,99    | 50      |
| 8      | I / PRO 80 ...*   | 1,99    | 50      |
| 10     | I / PRO 100 ...*  | 1,99    | 50      |
| 11     | I / PRO 110 ...** | 1,99    | 50      |
| 12,5   | I / PRO 125 ...** | 1,99    | 50      |

#### Art.-No. kleur toevoegen (bijv. I / PRO 60 CA)



\* Kleuren L = 2,50 m: AP - BH - BW - CA - G - GS - HB - HG - NB - PG - SP - W

\*\* Kleuren L = 2,50 m: BW - GS - PG - SP - W

Kleuren L = 3,00 m: BW - PG - W

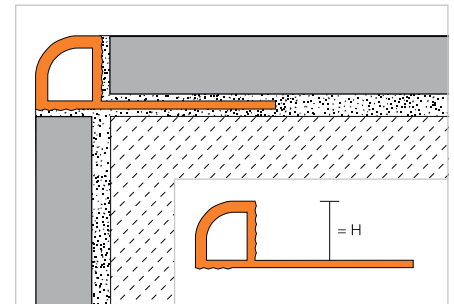
Een overzicht van de oppervlakken en kleuren vindt u vanaf pagina 342.

## Afsluitprofiel

## Schlüter®-RONDEC-PRG



Schlüter-PRG is een decoratief profiel uit gekleurd PVC voor symmetrisch afgeronde buitenhoeken in wandbeteugelingen, plinttegels en andere begrenzingen. De tegelkanten worden beschermd tegen mechanische beschadiging.  
(Productdatablad 2.1)



## Schlüter®-RONDEC-PRG

PVC gekleurd

| H (mm) |   | L = 2,50 m<br>Art.-No. | € / m | KV (st.) |
|--------|---|------------------------|-------|----------|
| 6      | ☺ | PRG 60 ...*            | 3,13  | 240      |
| 8      | ☺ | PRG 80 ...*            | 3,28  | 240      |
| 10     | ☺ | PRG 100 ...*           | 3,54  | 120      |
| 12,5   | ☺ | PRG 125 ...*           | 3,77  | 120      |

Voor 3 m lengte Art.-No. "/300" aanvullen (bijv. PRG 60 BW/300).

## Hoek



## Schlüter®-RONDEC-PRG/E

Buitenhoek 90°

| H (mm) | Art.-No.         | € / St. | P (st.) |
|--------|------------------|---------|---------|
| 6      | E / PRG 60 ...*  | 1,99    | 50      |
| 8      | E / PRG 80 ...*  | 1,99    | 50      |
| 10     | E / PRG 100 ...* | 1,99    | 50      |
| 12,5   | E / PRG 125 ...* | 1,99    | 50      |

## Schlüter®-RONDEC-PRG/I

Binnenhoek 90°

| H (mm) | Art.-No.         | € / St. | P (st.) |
|--------|------------------|---------|---------|
| 6      | I / PRG 60 ...*  | 1,99    | 50      |
| 8      | I / PRG 80 ...*  | 1,99    | 50      |
| 10     | I / PRG 100 ...* | 1,99    | 50      |
| 12,5   | I / PRG 125 ...* | 1,99    | 50      |

## Art.-No. kleur toevoegen (bijv. I / PRG 60 BW)

BW PG W

\* Kleuren: BW - PG - W

Een overzicht van de oppervlakken en kleuren vindt u vanaf pagina 342.



# Schlüter®-JOLLY

We hebben de klassiekers in een nieuw jasje gestoken

JOLLY-wandafsluitprofielen behoren tot de klassiekers in ons assortiment. Zodat u nog sneller kunt werken met nog mooiere resultaten, hebben we JOLLY opnieuw uitgevonden. Het resultaat:

- ✓ Geometrie met een hoek van 90°
- ✓ Hoeken met slimme klikverbindingen
- ✓ Geen versteksnede meer nodig
- ✓ Hoeken van massief materiaal
- ✓ Hoeken passen links en rechts

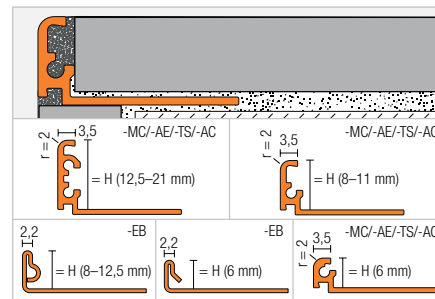


## Afsluitprofiel

## Schlüter®-JOLLY



Schlüter-JOLLY is een decoratief profiel uit metaal voor uitwendige hoeken in wandbekledingen, plinttegels en andere begrenzingen. Het afsluitvlak onder een hoek van 90° beschermt de tegels tegen mechanische beschadigingen. Door de voegribjes aan beide zijden ontstaan tussen het profiel en de tegels vaste voegruimtes. Door de geometrische insnijding aan de achterkant van het profiel ontstaat er een extra hechting voor het voegmateriaal. De hoekstukken met een innovatieve steekverbinding zorgen voor een zuivere en decoratieve hoekafwerking. (Productdatablad 2.3)



## Schlüter®-JOLLY-MC



Messing verchroomd

| H (mm) | L = 2,50 m<br>Art.-No. | € / m | KV (st.) |
|--------|------------------------|-------|----------|
| 6      | J 60 MC                | 29,15 | 120      |
| 8      | J 80 MC                | 29,76 | 120      |
| 10     | J 100 MC               | 30,35 | 120      |
| 11     | J 110 MC               | 30,94 | 120      |
| 12,5   | J 125 MC               | 31,54 | 120      |

## Schlüter®-JOLLY-EB



Roestvast staal V2A geborsteld

| H (mm) | L = 2,50 m<br>Art.-No. | € / m | KV (st.) |
|--------|------------------------|-------|----------|
| 6      | J 60 EB                | 17,39 | 120      |
| 8      | J 80 EB                | 17,74 | 120      |
| 10     | J 100 EB               | 18,08 | 120      |
| 11     | J 110 EB               | 18,43 | 120      |
| 12,5   | J 125 EB               | 18,79 | 120      |

## Schlüter®-JOLLY-AE



Alu. bruto mat geanodiseerd

| H (mm) | L = 2,50 m<br>Art.-No. | € / m | KV (st.) |
|--------|------------------------|-------|----------|
| 6      | J 60 AE                | 5,65  | 120      |
| 8      | J 80 AE                | 5,89  | 120      |
| 10     | J 100 AE               | 6,25  | 120      |
| 11     | J 110 AE               | 6,55  | 120      |
| 12,5   | J 125 AE               | 6,96  | 120      |

Voor 3 m lengte Art.-No. "/300" aanvullen (bijv. J 60 AE/300).

## Hoek | Verbindingsstuk

## Schlüter®-JOLLY-MC/EV

Buitenhoek 90°  
massief messing verchroomd

| H (mm) | Art.-No.      | € / St. | P (st.) |
|--------|---------------|---------|---------|
| 6      | EV / J 60 MC  | 18,45   | 50      |
| 8      | EV / J 80 MC  | 18,45   | 50      |
| 10     | EV / J 100 MC | 18,45   | 50      |
| 11     | EV / J 110 MC | 18,45   | 50      |
| 12,5   | EV / J 125 MC | 18,45   | 50      |

## Schlüter®-JOLLY-EB/EV

Buitenhoek 90°  
massief roestvast staal V2A geborsteld

| H (mm) | Art.-No.      | € / St. | P (st.) |
|--------|---------------|---------|---------|
| 6      | EV / J 60 EB  | 24,92   | 50      |
| 8      | EV / J 80 EB  | 24,92   | 50      |
| 10     | EV / J 100 EB | 24,92   | 50      |
| 11     | EV / J 110 EB | 24,92   | 50      |
| 12,5   | EV / J 125 EB | 24,92   | 50      |

## Schlüter®-JOLLY-AE/EV

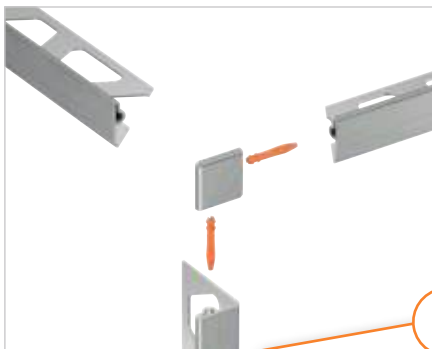
Buitenhoek 90°  
alu. bruto mat geanodiseerd

| H (mm) | Art.-No.      | € / St. | P (st.) |
|--------|---------------|---------|---------|
| 6      | EV / J 60 AE  | 14,87   | 50      |
| 8      | EV / J 80 AE  | 14,87   | 50      |
| 10     | EV / J 100 AE | 14,87   | 50      |
| 11     | EV / J 110 AE | 14,87   | 50      |
| 12,5   | EV / J 125 AE | 14,87   | 50      |

## Schlüter®-JOLLY/V

Verbindingsstuk voor JOLLY-profielen (4 stuks)

| Art.-No.  | € / Pakket | P (pakket) |
|-----------|------------|------------|
| V / JPP 4 | 3,19       | 50         |



**i** Verbindingspinnetjes zijn bij de levering van hoekstukken inbegrepen!

Een overzicht van de oppervlakken en kleuren vindt u vanaf pagina 342.



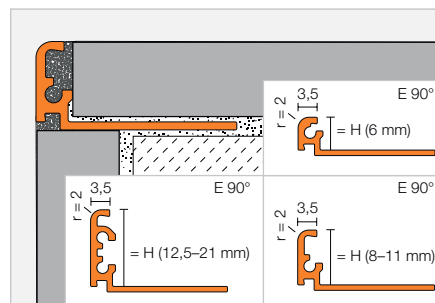
## Afsluitprofiel

### Schlüter®-JOLLY-TS



Schlüter-JOLLY-TS is een decoratief profiel voor uitwendige hoeken in wandbekledingen, plinttegels en andere begrenzingen. Het afsluitvlak onder een hoek van 90° beschermt de tegels tegen mechanische beschadigingen. Het is gemaakt van aluminium met een speciale structuurcoating en textuur. Door de voegribjes aan beide zijden ontstaan tussen het profiel en de tegels vaste voegruimtes. Door de geometrische insnijding aan de achterkant van het profiel ontstaat er een extra hechting voor het voegmateriaal. De hoekstukken met een innovatieve steekverbinding zorgen voor een zuivere en decoratieve hoekafwerking.

(Productdatablad 2.3)



### Schlüter®-JOLLY-AC



Alu. met kleurcoating

| H (mm) |   | L = 2,50 m Art.-No. | € / m | KV (st.) |
|--------|---|---------------------|-------|----------|
| 6      | ⊕ | J 60 ...*           | 6,96  | 120      |
| 8      | ⊕ | J 80 ...*           | 7,38  | 120      |
| 10     | ⊕ | J 100 ...*          | 7,97  | 120      |
| 11     | ⊕ | J 110 ...*          | 8,27  | 120      |
| 12,5   | ⊕ | J 125 ...*          | 8,63  | 120      |
| 14     |   | J 140 ...*          | 8,87  | 120      |
| 16     |   | J 160 ...*          | 9,23  | 120      |
| 21     |   | J 210 ...*          | 9,64  | 120      |

### Schlüter®-JOLLY-TS



Alu. structuur-gecoat

| H (mm) |   | L = 2,50 m Art.-No. | € / m | KV (st.) |
|--------|---|---------------------|-------|----------|
| 6      | ⊕ | J 60 ...**          | 13,39 | 120      |
| 8      | ⊕ | J 80 ...**          | 14,28 | 120      |
| 10     | ⊕ | J 100 ...**         | 14,58 | 120      |
| 11     | ⊕ | J 110 ...**         | 14,87 | 120      |
| 12,5   | ⊕ | J 125 ...**         | 15,47 | 120      |
| 14     |   | J 140 ...***        | 16,06 | 120      |
| 16     |   | J 160 ...***        | 16,66 | 120      |
| 21     |   | J 210 ...***        | 17,25 | 120      |

Voor 3 m lengte Art.-No. "/300" aanvullen (bijv. J 60 TSI/300).

## Hoek | Verbindingsstuk

### Schlüter®-JOLLY-AC/EV

Buitenhoek 90° voor JOLLY-MBW/-MGS alu. met kleurcoating

| H (mm) | Art.-No.        | € / St. | P (st.) |
|--------|-----------------|---------|---------|
| 6      | EV / J 60 ...*  | 14,28   | 50      |
| 8      | EV / J 80 ...*  | 14,28   | 50      |
| 10     | EV / J 100 ...* | 14,28   | 50      |
| 11     | EV / J 110 ...* | 14,28   | 50      |
| 12,5   | EV / J 125 ...* | 14,28   | 50      |
| 14     | EV / J 140 ...* | 17,07   | 50      |
| 16     | EV / J 160 ...* | 17,07   | 50      |
| 21     | EV / J 210 ...* | 17,07   | 50      |

### Schlüter®-JOLLY-TS/EV

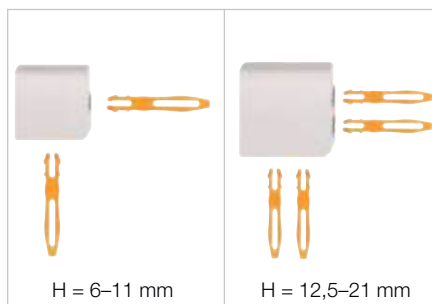
Buitenhoek 90° alu. structuur-gecoat

| H (mm) | Art.-No.          | € / St. | P (st.) |
|--------|-------------------|---------|---------|
| 6      | EV / J 60 ...**   | 14,87   | 50      |
| 8      | EV / J 80 ...**   | 14,87   | 50      |
| 10     | EV / J 100 ...**  | 14,87   | 50      |
| 11     | EV / J 110 ...**  | 14,87   | 50      |
| 12,5   | EV / J 125 ...**  | 14,87   | 50      |
| 14     | EV / J 140 ...*** | 17,25   | 50      |
| 16     | EV / J 160 ...*** | 17,25   | 50      |
| 21     | EV / J 210 ...*** | 17,25   | 50      |

### Schlüter®-JOLLY/V

Verbindingsstuk voor JOLLY-profielen (4 stuks)

| Art.-No.  | € / Pakket | P (pakket) |
|-----------|------------|------------|
| V / JPP 4 | 3,19       | 50         |



### Art.-No. aanvullen met oppervlak/kleur (bijv. EV / J 60 TSBG)

\* Oppervlakken/kleuren, L = 2,50 m: MBW - MGS

\*\* Oppervlakken/kleuren, L = 2,50 m: TSB - TSBG - TSC - TSDA - TSG - TSI - TSLA - TSOB - TSR - TSSG

\*\*\* Oppervlakken/kleuren, L = 2,50 m: TSI - TSOB - TSSG

Oppervlakken/kleuren, L = 3,00 m:

MBW - MGS - TSB - TSBG - TSC - TSDA - TSG - TSI - TSLA - TSOB - TSR - TSSG

## Beschikbare oppervlakken | Kleuren

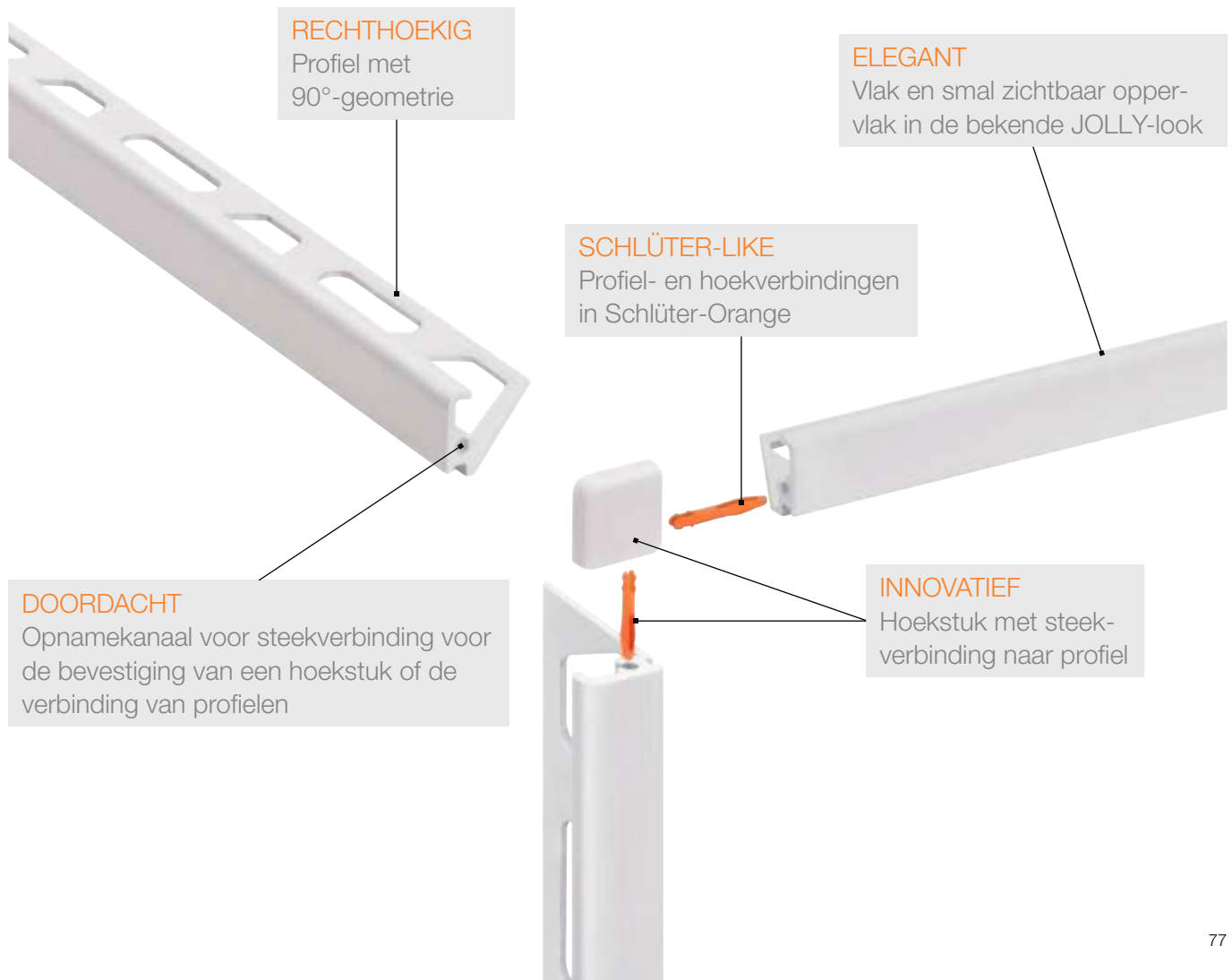


Een overzicht van de oppervlakken en kleuren vindt u vanaf pagina 342.

# Schlüter®-JOLLY

Design met rechte hoek – uw voordelen:

- ✓ Wandprofiel in 90°-geometrie
- ✓ Beproefd voegribje
- ✓ 2 voegruimtes: veilige en duurzame randbescherming
- ✓ Opnamekanaal voor profiel- en hoekverbindingen
- ✓ Innovatieve klikverbinding voor hoeken
- ✓ Eenvoudige hoekinbouw zonder in verstek te zagen
- ✓ Zuivere en symmetrische rand- en hoekafwerking
- ✓ Steekverbinding voor profiel en hoek
- ✓ Hoekstuk uit massief materiaal
- ✓ Hoekstuk universeel rechts of links te gebruiken
- ✓ Hoekstukken kunnen worden gebruikt voor een 2-zijdige of 3-zijdige hoek
- ✓ Hoekvorming naar keuze met of zonder vormstuk
- ✓ Ook combineerbaar met Schlüter-QUADEC profielen



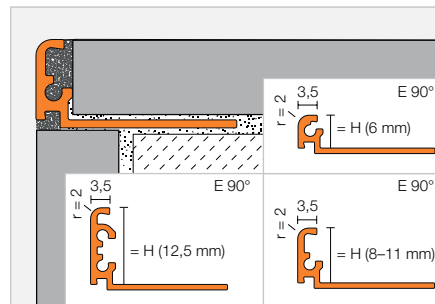


## Afsluitprofiel

### Schlüter®-JOLLY-A



Schlüter-JOLLY-A is een decoratief profiel uit geanodiseerd aluminium voor uitwendige hoeken in wandbekledingen, plinttegels en andere begrenzingen. Het afsluitvlak onder een hoek van 90° beschermt de tegels tegen mechanische beschadigingen. Door de voegribjes aan beide zijden ontstaan tussen het profiel en de tegels vaste voegruimtes. Door de geometrische insnijding aan de achterkant van het profiel ontstaat er een extra hechting voor het voegmateriaal. De hoekstukken met een innovatieve steekverbinding zorgen voor een zuivere en decoratieve hoekafwerking. (Productdatablad 2.3)



#### Schlüter®-JOLLY-ACG



Alu. chroom glanzend geanodiseerd

| H (mm) | L = 2,50 m Art.-No. | € / m        | KV (st.) |
|--------|---------------------|--------------|----------|
| 6      | J 60 ACG            | <b>13,39</b> | 120      |
| 8      | J 80 ACG            | <b>14,28</b> | 120      |
| 10     | J 100 ACG           | <b>14,58</b> | 120      |
| 11     | J 110 ACG           | <b>14,87</b> | 120      |
| 12,5   | J 125 ACG           | <b>15,17</b> | 120      |

#### Schlüter®-JOLLY-ACGB



Alu. chroom geborsteld geanodiseerd

| H (mm) | L = 2,50 m Art.-No. | € / m        | KV (st.) |
|--------|---------------------|--------------|----------|
| 6      | J 60 ACGB           | <b>13,39</b> | 120      |
| 8      | J 80 ACGB           | <b>14,28</b> | 120      |
| 10     | J 100 ACGB          | <b>14,58</b> | 120      |
| 11     | J 110 ACGB          | <b>14,87</b> | 120      |
| 12,5   | J 125 ACGB          | <b>15,17</b> | 120      |

Voor 3 m lengte Art.-No. "/300" aanvullen (bijv. J 60 ACG/300).

#### Schlüter®-JOLLY-AM



Alu. messing mat geanodiseerd

| H (mm) | L = 2,50 m Art.-No. | € / m        | KV (st.) |
|--------|---------------------|--------------|----------|
| 6      | J 60 AM             | <b>11,25</b> | 120      |
| 8      | J 80 AM             | <b>11,60</b> | 120      |
| 10     | J 100 AM            | <b>11,90</b> | 120      |
| 11     | J 110 AM            | <b>12,20</b> | 120      |
| 12,5   | J 125 AM            | <b>12,49</b> | 120      |

#### Schlüter®-JOLLY-AMG



Alu. messing glanzend geanodiseerd

| H (mm) | L = 2,50 m Art.-No. | € / m        | KV (st.) |
|--------|---------------------|--------------|----------|
| 6      | J 60 AMG            | <b>13,39</b> | 120      |
| 8      | J 80 AMG            | <b>14,28</b> | 120      |
| 10     | J 100 AMG           | <b>14,58</b> | 120      |
| 11     | J 110 AMG           | <b>14,87</b> | 120      |
| 12,5   | J 125 AMG           | <b>15,17</b> | 120      |

#### Schlüter®-JOLLY-AMGB



Alu. messing geborsteld geanodiseerd

| H (mm) | L = 2,50 m Art.-No. | € / m        | KV (st.) |
|--------|---------------------|--------------|----------|
| 6      | J 60 AMGB           | <b>13,39</b> | 120      |
| 8      | J 80 AMGB           | <b>14,28</b> | 120      |
| 10     | J 100 AMGB          | <b>14,58</b> | 120      |
| 11     | J 110 AMGB          | <b>14,87</b> | 120      |
| 12,5   | J 125 AMGB          | <b>15,17</b> | 120      |

#### Schlüter®-JOLLY-AK



Alu. koper mat geanodiseerd

| H (mm) | L = 2,50 m Art.-No. | € / m        | KV (st.) |
|--------|---------------------|--------------|----------|
| 6      | J 60 AK             | <b>11,25</b> | 120      |
| 8      | J 80 AK             | <b>11,60</b> | 120      |
| 10     | J 100 AK            | <b>11,90</b> | 120      |
| 11     | J 110 AK            | <b>12,20</b> | 120      |
| 12,5   | J 125 AK            | <b>12,49</b> | 120      |

#### Schlüter®-JOLLY-AKG



Alu. koper glanzend geanodiseerd

| H (mm) | L = 2,50 m Art.-No. | € / m        | KV (st.) |
|--------|---------------------|--------------|----------|
| 6      | J 60 AKG            | <b>13,39</b> | 120      |
| 8      | J 80 AKG            | <b>14,28</b> | 120      |
| 10     | J 100 AKG           | <b>14,58</b> | 120      |
| 11     | J 110 AKG           | <b>14,87</b> | 120      |
| 12,5   | J 125 AKG           | <b>15,17</b> | 120      |

#### Schlüter®-JOLLY-AKGB



Alu. koper geborsteld geanodiseerd

| H (mm) | L = 2,50 m Art.-No. | € / m        | KV (st.) |
|--------|---------------------|--------------|----------|
| 6      | J 60 AKGB           | <b>13,39</b> | 120      |
| 8      | J 80 AKGB           | <b>14,28</b> | 120      |
| 10     | J 100 AKGB          | <b>14,58</b> | 120      |
| 11     | J 110 AKGB          | <b>14,87</b> | 120      |
| 12,5   | J 125 AKGB          | <b>15,17</b> | 120      |

#### Schlüter®-JOLLY-AT



Alu. titanium mat geanodiseerd

| H (mm) | L = 2,50 m Art.-No. | € / m        | KV (st.) |
|--------|---------------------|--------------|----------|
| 6      | J 60 AT             | <b>11,25</b> | 120      |
| 8      | J 80 AT             | <b>11,60</b> | 120      |
| 10     | J 100 AT            | <b>11,90</b> | 120      |
| 11     | J 110 AT            | <b>12,20</b> | 120      |
| 12,5   | J 125 AT            | <b>12,49</b> | 120      |

#### Schlüter®-JOLLY-ATG



Alu. titanium glanzend geanodiseerd

| H (mm) | L = 2,50 m Art.-No. | € / m        | KV (st.) |
|--------|---------------------|--------------|----------|
| 6      | J 60 ATG            | <b>13,39</b> | 120      |
| 8      | J 80 ATG            | <b>14,28</b> | 120      |
| 10     | J 100 ATG           | <b>14,58</b> | 120      |
| 11     | J 110 ATG           | <b>14,87</b> | 120      |
| 12,5   | J 125 ATG           | <b>15,17</b> | 120      |

#### Schlüter®-JOLLY-ATGB



Alu. titanium geborsteld geanodiseerd

| H (mm) | L = 2,50 m Art.-No. | € / m        | KV (st.) |
|--------|---------------------|--------------|----------|
| 6      | J 60 ATGB           | <b>13,39</b> | 120      |
| 8      | J 80 ATGB           | <b>14,28</b> | 120      |
| 10     | J 100 ATGB          | <b>14,58</b> | 120      |
| 11     | J 110 ATGB          | <b>14,87</b> | 120      |
| 12,5   | J 125 ATGB          | <b>15,17</b> | 120      |

**Schlüter®-JOLLY-ABGB**

Alu. antiek brons geborsteld geanodiseerd

| H (mm) | L = 2,50 m<br>Art.-No. | € / m        | KV (st.) |
|--------|------------------------|--------------|----------|
| 6      | J 60 ABGB              | <b>13,39</b> | 120      |
| 8      | J 80 ABGB              | <b>14,28</b> | 120      |
| 10     | J 100 ABGB             | <b>14,58</b> | 120      |
| 11     | J 110 ABGB             | <b>14,87</b> | 120      |
| 12,5   | J 125 ABGB             | <b>15,17</b> | 120      |

**Schlüter®-JOLLY-AGRB**

Alu. grafiet geborsteld geanodiseerd

| H (mm) | L = 2,50 m<br>Art.-No. | € / m        | KV (st.) |
|--------|------------------------|--------------|----------|
| 6      | J 60 AGRB              | <b>13,39</b> | 120      |
| 8      | J 80 AGRB              | <b>14,28</b> | 120      |
| 10     | J 100 AGRB             | <b>14,58</b> | 120      |
| 11     | J 110 AGRB             | <b>14,87</b> | 120      |
| 12,5   | J 125 AGRB             | <b>15,17</b> | 120      |

**Schlüter®-JOLLY-AGSG**

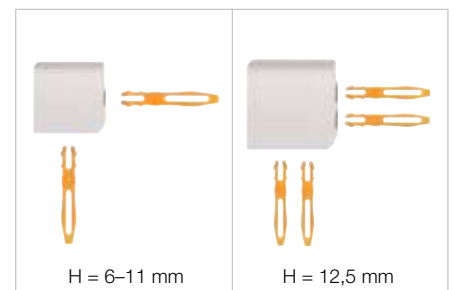
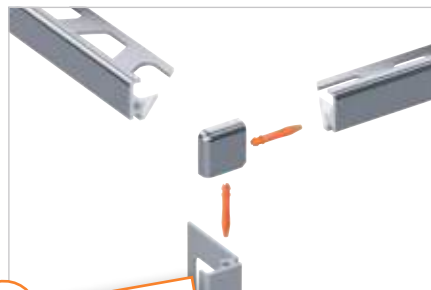
Alu. zwart glanzend geanodiseerd

| H (mm) | L = 2,50 m<br>Art.-No. | € / m        | KV (st.) |
|--------|------------------------|--------------|----------|
| 6      | J 60 AGSG              | <b>13,39</b> | 120      |
| 8      | J 80 AGSG              | <b>14,28</b> | 120      |
| 10     | J 100 AGSG             | <b>14,58</b> | 120      |
| 11     | J 110 AGSG             | <b>14,87</b> | 120      |
| 12,5   | J 125 AGSG             | <b>15,17</b> | 120      |

**Hoek | Verbindingsstuk****Schlüter®-JOLLY-A/EV**

Buitenhoek 90° massief alu.

| H (mm) | Art.-No.        | € / St.      | P (st.) |
|--------|-----------------|--------------|---------|
| 6      | EV / J 60 ...*  | <b>16,06</b> | 50      |
| 8      | EV / J 80 ...*  | <b>16,06</b> | 50      |
| 10     | EV / J 100 ...* | <b>16,06</b> | 50      |
| 11     | EV / J 110 ...* | <b>16,06</b> | 50      |
| 12,5   | EV / J 125 ...* | <b>16,06</b> | 50      |



H = 6-11 mm

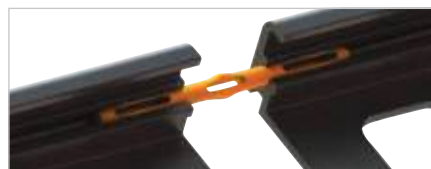
H = 12,5 mm

**i**  
Verbindingspinnetjes zijn bij de levering van hoekstukken inbegrepen!

**Schlüter®-JOLLY/V**

Verbindingsstuk voor JOLLY-profielen (4 stuks)

| Art.-No.  | € / Pakket  | P (pakket) |
|-----------|-------------|------------|
| V / JPP 4 | <b>3,19</b> | 50         |

**Art.-No. aanvullen met oppervlak (bijv. EV / J 60 ACG)**

\* Oppervlakken: ABGB - ACG - ACGB - AGRB - AGSG - AK - AKG - AKGB - AM - AMG - AMGB - AT - ATG - ATGB  
Een overzicht van de oppervlakken en kleuren vindt u vanaf pagina 342.

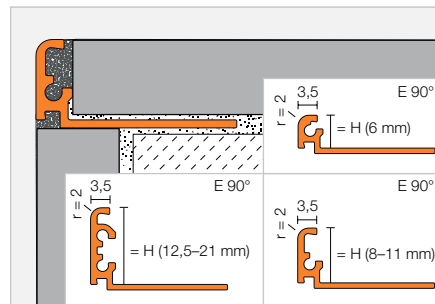


## Afsluitprofiel

### Schlüter®-JOLLY-AC



Schlüter-JOLLY-AC is een decoratief profiel uit kleurgecoat aluminium voor uitwendige hoeken in wandbekledingen, plinttegels en andere begrenzingen. Het afsluitvlak onder een hoek van 90° beschermt de tegels tegen mechanische beschadigingen. Door de voegribjes aan beide zijden ontstaan tussen het profiel en de tegels vaste voegruimtes. Door de geometrische insnijding aan de achterkant van het profiel ontstaat er een extra hechting voor het voegmateriaal. De hoekstukken met een innovatieve steekverbinding zorgen voor een zuivere en decoratieve hoekafwerking. (Productdatablad 2.3)



#### Schlüter®-JOLLY-AC



Alu. met kleurcoating

| H (mm) |   | L = 2,50 m<br>Art.-No. | € / m | KV (st.) |
|--------|---|------------------------|-------|----------|
| 6      | ☺ | J 60 ...*              | 6,96  | 120      |
| 8      | ☺ | J 80 ...*              | 7,38  | 120      |
| 10     | ☺ | J 100 ...*             | 7,97  | 120      |
| 11     | ☺ | J 110 ...*             | 8,27  | 120      |
| 12,5   | ☺ | J 125 ...*             | 8,63  | 120      |
| 14     |   | J 140 ...**            | 8,87  | 120      |
| 16     |   | J 160 ...**            | 9,23  | 120      |
| 21     |   | J 210 ...**            | 9,64  | 120      |

**MyDesign by Schlüter-Systems**  
Individuele print of coating in 190 RAL-Classic kleuren mogelijk.  
Meer info vanaf pagina 16.

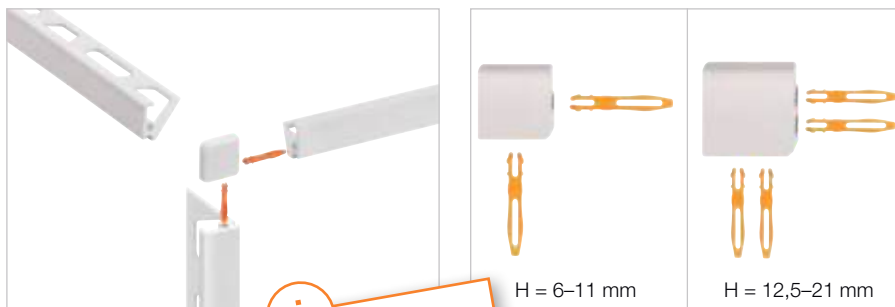
Voor 3 m lengte Art.-No. "/300" aanvullen (bijv. J 60 BW/300).

## Hoek | Verbindingsstuk

### Schlüter®-JOLLY-AC/EV

Buithoek 90° alu. met kleurcoating

| H (mm) | Art.-No.         | € / St. | P (st.) |
|--------|------------------|---------|---------|
| 6      | EV / J 60 ...*   | 14,28   | 50      |
| 8      | EV / J 80 ...*   | 14,28   | 50      |
| 10     | EV / J 100 ...*  | 14,28   | 50      |
| 11     | EV / J 110 ...*  | 14,28   | 50      |
| 12,5   | EV / J 125 ...*  | 14,28   | 50      |
| 14     | EV / J 140 ...** | 17,07   | 50      |
| 16     | EV / J 160 ...** | 17,07   | 50      |
| 21     | EV / J 210 ...** | 17,07   | 50      |



**i**  
Verbindingspinnetjes zijn bij de levering van hoekstukken inbegrepen!



Art.-No. kleur toevoegen (bijv. EV / J 60 MBW)



\* Kleuren L = 2,50 m: BW - G - GM - GS - MBW - MGS - PG - SB - W

\*\* Kleuren L = 2,50 m: BW - MBW - MGS

Kleuren L = 3,00 m: BW - GS - MBW - MGS - PG - W

Een overzicht van de oppervlakken en kleuren vindt u vanaf pagina 342.

### Schlüter®-JOLLY/V

Verbindingsstuk voor JOLLY-profielen (4 stuks)

| Art.-No.  | € / Pakket | P (pakket) |
|-----------|------------|------------|
| V / JPP 4 | 3,19       | 50         |

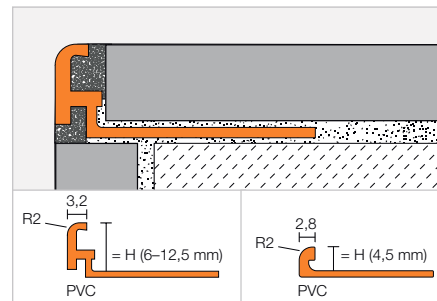


## Afsluitprofiel

## Schlüter®-JOLLY-P








Schlüter-JOLLY-P uit gekleurd PVC is een decoratief profiel voor uitwendige hoeken in wandbekledingen, plinttegels en andere begrenzingen. De tegelkanten worden beschermd tegen mechanische beschadiging. Dankzij het voegribje wordt een vaste voegafstand tot de tegel bepaald.  
(Productdatablad 2.3)



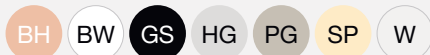
## Schlüter®-JOLLY-P

PVC gekleurd

| H (mm)   | L = 2,50 m<br>Art.-No. | € / m       | KV (st.) |
|--|------------------------|-------------|----------|
| 4,5  | ...* 45                | <b>2,91</b> | 240      |
| 6       | ...** 60               | <b>2,91</b> | 240      |
| 8       | ...** 80               | <b>3,13</b> | 240      |
| 10     | ...** 100              | <b>3,28</b> | 240      |
| 11    | ...** 110              | <b>3,60</b> | 240      |
| 12,5  | ...*** 125             | <b>4,07</b> | 240      |

Voor 3 m lengte Art.-No. "/300" aanvullen (bijv. BW 60/300).

## Art.-No. kleur toevoegen (bijv. W 45)



\* Kleuren L = 2,50 m: BW - HG - W

\*\* Kleuren L = 2,50 m: BH - BW - GS - HG - PG - SP - W

\*\*\* Kleuren L = 2,50 m: BW - HG - PG - W

Kleuren L = 3,00 m: BW - PG - W

Een overzicht van de oppervlakken en kleuren vindt u vanaf pagina 342.



# Schlüter®-FINEC

De kunst van fijne afsluitingen

Minder is meer. Onder dit motto biedt Schlüter-FINEC een elegant, smal hoekprofiel voor mooi gevormde wanden. Schlüter-FINEC combineert een hoge materiaalkwaliteit met een minimalistisch design. Verkrijgbaar in:

- ✓ Roestvast staal
- ✓ Aluminium geanodiseerd
- ✓ Aluminium met structuur
- ✓ Aluminium met kleurcoating
- ✓ Schlüter-FINEC-E, -TS en -A ook als hoekset verkrijgbaar





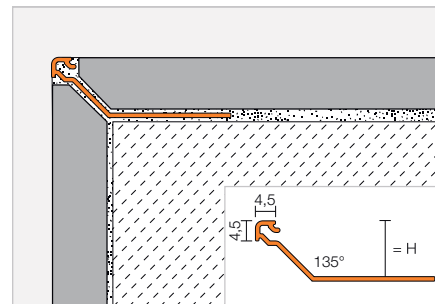
## Afsluitprofiel

## Schlüter®-FINEC-SQ



Schlüter-FINEC-SQ is een hoogwaardig afsluitprofiel uit geanodiseerd, gekleurd of structuur-gecoat aluminium voor uitwendige hoeken in wandbekledingen uit tegels. Het profiel beschermt de rand van de bekleding tegen mechanische schade en vormt een elegante, smalle, vierkante hoek.

(Productdatablad 2.17)



## Schlüter®-FINEC-SQ-AE

Alu. bruut mat geanodiseerd

| H (mm) | L = 2,50 m<br>Art.-No. | € / m       | KV (st.) |
|--------|------------------------|-------------|----------|
| 11     | F SQ 110 AE            | <b>7,53</b> | 120      |
| 12,5   | F SQ 125 AE            | <b>8,12</b> | 120      |
| 15     | F SQ 150 AE            | <b>8,69</b> | 120      |

## Schlüter®-FINEC-SQ-AC

Alu. met kleurcoating

| H (mm) | L = 2,50 m<br>Art.-No. | € / m        | KV (st.) |
|--------|------------------------|--------------|----------|
| 11     | F SQ 110 ...*          | <b>9,86</b>  | 120      |
| 12,5   | F SQ 125 ...*          | <b>10,43</b> | 120      |
| 15     | F SQ 150 ...*          | <b>11,01</b> | 120      |

## Schlüter®-FINEC-SQ-TS

Alu. structuur-gecoat

| H (mm) | L = 2,50 m<br>Art.-No. | € / m        | KV (st.) |
|--------|------------------------|--------------|----------|
| 11     | F SQ 110 ...**         | <b>16,81</b> | 120      |
| 12,5   | F SQ 125 ...**         | <b>17,21</b> | 120      |
| 15     | F SQ 150 ...**         | <b>17,57</b> | 120      |

## Hoek

## Schlüter®-QUADEC-A/EV

Buiten-/binnenhoek 90° massief alu.

| H (mm) | Art.-No.     | € / St.     | P (st.) |
|--------|--------------|-------------|---------|
| 4,5    | EV / Q 45 AE | <b>8,51</b> | 50      |

## Schlüter®-QUADEC-A/ED

Buitenhoek 90° imitatie alu.

| H (mm) | Art.-No.     | € / St.     | P (st.) |
|--------|--------------|-------------|---------|
| 4,5    | ED / Q 45 AE | <b>4,67</b> | 50      |

## Schlüter®-QUADEC-AC/EV

Buiten-/binnenhoek 90° voor QUADEC-MBW/-MGS massief alu.

| H (mm) | Art.-No.       | € / St.      | P (st.) |
|--------|----------------|--------------|---------|
| 4,5    | EV / Q 45 ...* | <b>12,52</b> | 50      |

## Schlüter®-QUADEC-AC/ED

Buitenhoek 90° voor QUADEC-MBW/-MGS imitatie metaal-spuitspuitgietwerk

| H (mm) | Art.-No.       | € / St.     | P (st.) |
|--------|----------------|-------------|---------|
| 4,5    | ED / Q 45 ...* | <b>4,67</b> | 50      |

## Schlüter®-QUADEC-TS/EV

Buiten-/binnenhoek 90° alu. structuur-gecoat

| H (mm) | Art.-No.        | € / St.      | P (st.) |
|--------|-----------------|--------------|---------|
| 4,5    | EV / Q 45 ...** | <b>12,52</b> | 50      |



## Art.-No. aanvullen met oppervlak/kleur (bijv. EV / Q 45 TSBG)

\* Oppervlakken/kleuren: MBW - MGS

\*\* Oppervlakken/kleuren: TSB - TSBG - TSC - TSDA - TSG - TSI - TSLA - TSOB - TSR - TSSG

## Beschikbare oppervlakken | Kleuren



Een overzicht van de oppervlakken en kleuren vindt u vanaf pagina 342.

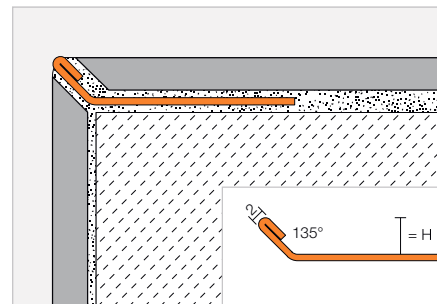


## Afsluitprofiel

### Schlüter®-FINEC-E



Schlüter-FINEC-E is een hoogwaardig afsluitprofiel uit roestvast staal voor uitwendige hoeken in wandbekledingen uit tegels, glasmozaïek of plamuursel/pleisterlaag. Het profiel beschermt de rand van de bekleding tegen mechanische schade en vormt een elegante, smalle hoek. FINEC-E uit roestvast staal is ook geschikt als smal kantprofiel voor betegelingen en coatingsystemen op trappen. (Productdatablad 2.17)



#### Schlüter®-FINEC-E

Roestvast staal V2A

| H (mm) | L = 2,50 m<br>Art.-No. | € / m        | KV (st.) |
|--------|------------------------|--------------|----------|
| 4,5    | F 45 E                 | <b>11,00</b> | 120      |
| 7      | F 70 E                 | <b>12,99</b> | 120      |
| 9      | F 90 E                 | <b>13,59</b> | 120      |
| 11     | F 110 E                | <b>14,46</b> | 120      |
| 12,5   | F 125 E                | <b>14,90</b> | 120      |



## Hoekset

### Schlüter®-FINEC-E/ES

Hoekset, roestvast staal V2A

| H (mm) | Art.-No.     | € / Set      | P (set) |
|--------|--------------|--------------|---------|
| 4,5    | ES / F 45 E  | <b>38,12</b> | 50      |
| 7      | ES / F 70 E  | <b>38,12</b> | 50      |
| 9      | ES / F 90 E  | <b>38,12</b> | 50      |
| 11     | ES / F 110 E | <b>38,12</b> | 50      |
| 12,5   | ES / F 125 E | <b>38,12</b> | 50      |



**Opmerking:**

De hoekset bestaat uit drie delen van telkens L = 10 cm.



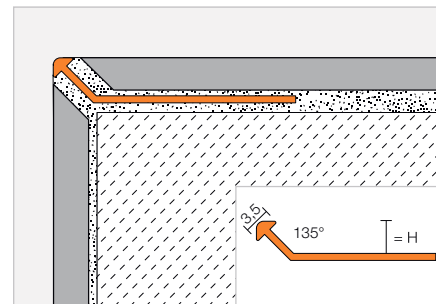
## Afsluitprofiel

## Schlüter®-FINEC-TS



Schlüter-FINEC-TS is een hoogwaardig afsluitprofiel uit structuur-gecoat aluminium voor uitwendige hoeken in wandbekledingen uit tegels, glasmozaïek of plamuursel/pleisterlaag. Het profiel beschermt de rand van de bekleding tegen mechanische schade en vormt een elegante, smalle hoek.

(Productdatablad 2.17)



## Schlüter®-FINEC-AC

Alu. met kleurcoating

| H (mm) | L = 2,50 m<br>Art.-No. | € / m       | KV (st.) |
|--------|------------------------|-------------|----------|
| 2,5    | F 25 ...*              | <b>7,20</b> | 120      |
| 4,5    | F 45 ...**             | <b>7,45</b> | 120      |
| 7      | F 70 ...**             | <b>7,85</b> | 120      |
| 9      | F 90 ...**             | <b>7,97</b> | 120      |
| 11     | F 110 ...**            | <b>8,10</b> | 120      |
| 12,5   | F 125 ...**            | <b>8,35</b> | 120      |

## Schlüter®-FINEC-TS

Alu. structuur-gecoat

| H (mm) | L = 2,50 m<br>Art.-No. | € / m        | KV (st.) |
|--------|------------------------|--------------|----------|
| 4,5    | F 45 ...***            | <b>15,03</b> | 120      |
| 7      | F 70 ...***            | <b>16,13</b> | 120      |
| 9      | F 90 ...***            | <b>16,39</b> | 120      |
| 11     | F 110 ...***           | <b>17,43</b> | 120      |
| 12,5   | F 125 ...***           | <b>18,21</b> | 120      |

## Hoekset

## Schlüter®-FINEC-AC/ES

Hoekset, alu. met kleurcoating

| H (mm) | Art.-No.         | € / Set      | P (set) |
|--------|------------------|--------------|---------|
| 2,5    | ES / F 25 ...*   | <b>20,59</b> | 50      |
| 4,5    | ES / F 45 ...**  | <b>20,59</b> | 50      |
| 7      | ES / F 70 ...**  | <b>20,59</b> | 50      |
| 9      | ES / F 90 ...**  | <b>20,59</b> | 50      |
| 11     | ES / F 110 ...** | <b>20,59</b> | 50      |
| 12,5   | ES / F 125 ...** | <b>20,59</b> | 50      |



## Schlüter®-FINEC-TS/ES

Hoekset, alu. structuur-gecoat

| H (mm) | Art.-No.          | € / Set      | P (set) |
|--------|-------------------|--------------|---------|
| 4,5    | ES / F 45 ...***  | <b>25,16</b> | 50      |
| 7      | ES / F 70 ...***  | <b>25,16</b> | 50      |
| 9      | ES / F 90 ...***  | <b>25,16</b> | 50      |
| 11     | ES / F 110 ...*** | <b>25,16</b> | 50      |
| 12,5   | ES / F 125 ...*** | <b>25,16</b> | 50      |

## Opmerking:

De hoekset bestaat uit drie delen van telkens L = 10 cm.

## Art.-No. aanvullen met oppervlak/kleur (bijv. ES / F 45 TSSG)

\* Oppervlakken/kleuren: MBW

\*\* Oppervlakken/kleuren: MBW - MGS

\*\*\* Oppervlakken/kleuren: TSB - TSBG - TSC - TSDA - TSG - TSI - TSLA - TSOB - TSR - TSSG

## Beschikbare oppervlakken | Kleuren



Een overzicht van de oppervlakken en kleuren vindt u vanaf pagina 342.

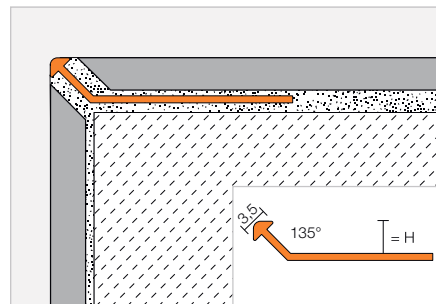


## Afsluitprofiel

### Schlüter®-FINEC-A



Schlüter-FINEC-A is een hoogwaardig afsluitprofiel uit geanodiseerd of kleurgecoat aluminium voor uitwendige hoeken in wandbekledingen uit tegels, glasmozaïek of plamuursel/pleisterlaag. Het profiel beschermt de rand van de bekleding tegen mechanische schade en vormt een elegante, smalle hoek. (Productdatablad 2.17)



### Schlüter®-FINEC-AE

Alu. bruut mat geanodiseerd

| H (mm) | L = 2,50 m<br>Art.-No. | € / m       | KV (st.) |
|--------|------------------------|-------------|----------|
| 2,5    | F 25 AE                | <b>6,68</b> | 120      |
| 4,5    | F 45 AE                | <b>6,75</b> | 120      |
| 7      | F 70 AE                | <b>7,06</b> | 120      |
| 9      | F 90 AE                | <b>7,45</b> | 120      |
| 11     | F 110 AE               | <b>8,04</b> | 120      |
| 12,5   | F 125 AE               | <b>8,29</b> | 120      |



### Schlüter®-FINEC-AC

Alu. met kleurcoating

| H (mm) | L = 2,50 m<br>Art.-No. | € / m       | KV (st.) |
|--------|------------------------|-------------|----------|
| 2,5    | F 25 ...*              | <b>7,20</b> | 120      |
| 4,5    | F 45 ...**             | <b>7,45</b> | 120      |
| 7      | F 70 ...**             | <b>7,85</b> | 120      |
| 9      | F 90 ...**             | <b>7,97</b> | 120      |
| 11     | F 110 ...**            | <b>8,10</b> | 120      |
| 12,5   | F 125 ...**            | <b>8,35</b> | 120      |

## Hoekset

### Schlüter®-FINEC-AE/ES

Hoekset, alu. bruut mat geanodiseerd

| H (mm) | Art.-No.      | € / Set      | P (set) |
|--------|---------------|--------------|---------|
| 2,5    | ES / F 25 AE  | <b>20,59</b> | 50      |
| 4,5    | ES / F 45 AE  | <b>20,59</b> | 50      |
| 7      | ES / F 70 AE  | <b>20,59</b> | 50      |
| 9      | ES / F 90 AE  | <b>20,59</b> | 50      |
| 11     | ES / F 110 AE | <b>20,59</b> | 50      |
| 12,5   | ES / F 125 AE | <b>20,59</b> | 50      |



### Schlüter®-FINEC-AC/ES

Hoekset, alu. met kleurcoating

| H (mm) | Art.-No.         | € / Set      | P (set) |
|--------|------------------|--------------|---------|
| 2,5    | ES / F 25 ...*   | <b>20,59</b> | 50      |
| 4,5    | ES / F 45 ...**  | <b>20,59</b> | 50      |
| 7      | ES / F 70 ...**  | <b>20,59</b> | 50      |
| 9      | ES / F 90 ...**  | <b>20,59</b> | 50      |
| 11     | ES / F 110 ...** | <b>20,59</b> | 50      |
| 12,5   | ES / F 125 ...** | <b>20,59</b> | 50      |

### Opmerking:

De hoekset bestaat uit drie delen van telkens L = 10 cm.

Art.-No. kleur toevoegen (bijv. ES / F 25 MBW)



\* Kleuren: MBW

\*\* Kleuren: MBW - MGS

Een overzicht van de oppervlakken en kleuren vindt u vanaf pagina 342.



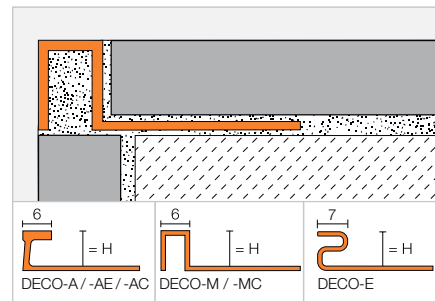


## Afsluitprofiel

## Schlüter®-DECO



Schlüter-DECO is een profiel met een 6 mm breed zichtbaar oppervlak voor het maken van decoratieve voegen in tegelbekledingen. Schlüter-DECO-M en -MC kunnen ook als afsluitprofielen voor uitwendige hoeken in wandbekleding worden gebruikt. Schlüter-DECO uit aluminium, messing en roestvast staal zijn ook geschikt voor vloerbekledingen. (Productdatablad 1.6)



## Schlüter®-DECO-E

Roestvast staal V2A

| H (mm) | L = 2,50 m<br>Art.-No. | € / m | KV (st.) |
|--------|------------------------|-------|----------|
| 10     | E 100 D                | 17,30 | 120      |
| 11     | E 110 D                | 17,56 | 120      |
| 12,5   | E 125 D                | 17,95 | 120      |
| 16     | E 160 D                | 18,83 | 120      |
| 21     | E 210 D                | 20,02 | 120      |

## Schlüter®-DECO-MC

Messing verchromd

| H (mm) | L = 2,50 m<br>Art.-No. | € / m | KV (st.) |
|--------|------------------------|-------|----------|
| 9      | MC 90 D                | 39,47 | 120      |
| 11     | MC 110 D               | 40,64 | 120      |
| 12,5   | MC 125 D               | 41,40 | 120      |

## Schlüter®-DECO-M

Messing

| H (mm) | L = 2,50 m<br>Art.-No. | € / m | KV (st.) |
|--------|------------------------|-------|----------|
| 9      | M 90 D                 | 18,00 | 120      |
| 11     | M 110 D                | 18,78 | 120      |
| 12,5   | M 125 D                | 19,84 | 120      |

## Schlüter®-DECO-A

Aluminium

| H (mm) | L = 2,50 m<br>Art.-No. | € / m | KV (st.) |
|--------|------------------------|-------|----------|
| 8      | A 80 D                 | 6,93  | 120      |
| 10     | A 100 D                | 7,38  | 120      |
| 12,5   | A 125 D                | 7,94  | 120      |

## Schlüter®-DECO-AE

Alu. bruut mat geanodiseerd

| H (mm) | L = 2,50 m<br>Art.-No. | € / m | KV (st.) |
|--------|------------------------|-------|----------|
| 8      | AE 80 D                | 9,12  | 120      |
| 10     | AE 100 D               | 9,84  | 120      |
| 12,5   | AE 125 D               | 10,53 | 120      |

## Schlüter®-DECO-AC

Alu. met kleurcoating

| H (mm) | L = 2,50 m<br>Art.-No. | € / m | KV (st.) |
|--------|------------------------|-------|----------|
| 8      | ...* 80 D              | 10,86 | 120      |
| 10     | ...* 100 D             | 11,74 | 120      |
| 12,5   | ...* 125 D             | 12,63 | 120      |

## Hoek

## Schlüter®-DECO-MC/EV

Buitenhoek 90° massief messing verchromd

| H (mm) | Art.-No.      | € / St. | P (st.) |
|--------|---------------|---------|---------|
| 9      | EV / MC 90 D  | 21,85   | 50      |
| 11     | EV / MC 110 D | 21,85   | 50      |
| 12,5   | EV / MC 125 D | 21,85   | 50      |



Schlüter-DECO-MC/EV



Art.-No. kleur toevoegen (bijv. MGS 80 D)

BW MBW MGS

\* Kleuren: BW - MBW - MGS

Een overzicht van de oppervlakken en kleuren vindt u vanaf pagina 342.

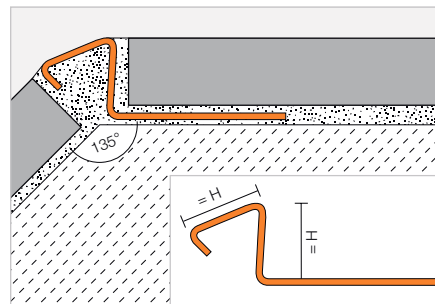


## Afsluitprofiel

### Schlüter®-DECO-DE



Schlüter-DECO-DE is een hoogwaardig afsluitprofiel uit roestvast staal voor uitwendige hoeken van 135° in wandbetegeling en biedt een goede randbescherming. (Productdatablad 2.14)



#### Schlüter®-DECO-DE-E-S

Roestvast staal V2A

| H (mm) | L = 2,50 m Art.-No. | € / m        | KV (st.) |
|--------|---------------------|--------------|----------|
| 8      | DE 80 ES            | <b>17,90</b> | 120      |
| 10     | DE 100 ES           | <b>18,47</b> | 120      |
| 11     | DE 110 ES           | <b>18,93</b> | 120      |
| 12,5   | DE 125 ES           | <b>19,55</b> | 120      |

#### Schlüter®-DECO-DE-EB-S

Roestvast staal V2A geborsteld

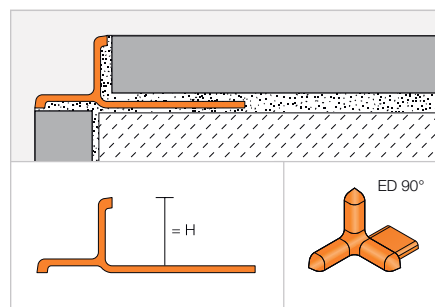
| H (mm) | L = 2,50 m Art.-No. | € / m        | KV (st.) |
|--------|---------------------|--------------|----------|
| 8      | DE 80 EBS           | <b>22,88</b> | 120      |
| 10     | DE 100 EBS          | <b>23,61</b> | 120      |
| 11     | DE 110 EBS          | <b>24,15</b> | 120      |
| 12,5   | DE 125 EBS          | <b>24,97</b> | 120      |

## Afsluitprofiel

### Schlüter®-INDEC



Schlüter-INDEC is een hoogwaardig afsluitprofiel uit geanodiseerd aluminium voor uitwendige hoeken en afsluitingen van wandbetegeling. Het zichtbare oppervlak van het profiel vormt een terugspringende sierrand. (Productdatablad 2.12)



#### Schlüter®-INDEC-AE

Alu. bruut mat geanodiseerd

| H (mm) | L = 2,50 m Art.-No. | € / m        | KV (st.) |
|--------|---------------------|--------------|----------|
| 8      | IN 80 AE            | <b>11,01</b> | 120      |
| 10     | IN 100 AE           | <b>11,53</b> | 120      |
| 11     | IN 110 AE           | <b>13,29</b> | 120      |
| 12,5   | IN 125 AE           | <b>13,72</b> | 120      |

#### Schlüter®-INDEC-ACG

Alu. chroom glanzend geanodiseerd

| H (mm) | L = 2,50 m Art.-No. | € / m        | KV (st.) |
|--------|---------------------|--------------|----------|
| 8      | IN 80 ACG           | <b>19,46</b> | 120      |
| 10     | IN 100 ACG          | <b>20,03</b> | 120      |
| 11     | IN 110 ACG          | <b>21,02</b> | 120      |
| 12,5   | IN 125 ACG          | <b>21,94</b> | 120      |



## Hoek

### Schlüter®-INDEC/EV

Buitenhoek 90°

| H (mm) | Art.-No.         | € / St.     | P (st.) |
|--------|------------------|-------------|---------|
| 8      | ED / IN 80 ...*  | <b>4,98</b> | 50      |
| 10     | ED / IN 100 ...* | <b>4,98</b> | 50      |
| 11     | ED / IN 110 ...* | <b>4,98</b> | 50      |
| 12,5   | ED / IN 125 ...* | <b>4,98</b> | 50      |

Art.-No. aanvullen met oppervlak (bijv. ED / IN 80 AE)

\* Oppervlakken: ACG - AE

Een overzicht van de oppervlakken en kleuren vindt u vanaf pagina 342.

# Schlüter-hoekprofielen

## De juiste oplossing voor hoeken en randen

Op de volgende pagina's vindt u speciale profielvormen voor wandbekledingen:

- ✓ Randbescherming voor privé en commerciële ruimten
- ✓ Randbescherming voor uitwendige en inwendige hoeken
- ✓ Randbescherming en decoratie voor werkbladen en wastafels
- ✓ Decoratieve sierstrips voor bekledingen

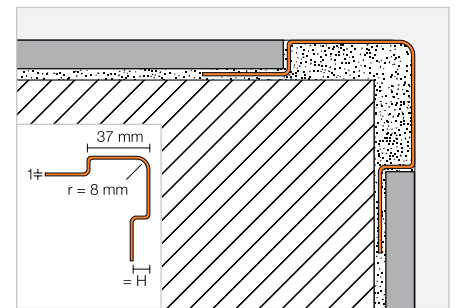


### Hoekprofiel

#### Schlüter®-ECK-E



Schlüter-ECK-E is een roestvaststalen hoekprofiel voor uitwendige hoeken in wandbekledingen en biedt een goede bescherming voor zwaar belastbare kanten. De geperforeerde bevestigingsvlakken worden bij het plaatsen van de tegels in de lijmlaag ingebed. (Productdatablad 2.6)



#### Schlüter®-ECK-E

Roestvast staal V2A

| H (mm)     | L = 3,00 m<br>Art.-No. | € / m        | KV (st.) |
|------------|------------------------|--------------|----------|
| 6          | E37 V2A 60/300         | <b>37,24</b> | 60       |
| 8          | E37 V2A 80/300         | <b>38,67</b> | 60       |
| 11         | E37 V2A 110/300        | <b>40,28</b> | 60       |
| L = 2,50 m |                        |              |          |
| 6          | E37 V2A 60/250         | <b>37,24</b> | 60       |
| 8          | E37 V2A 80/250         | <b>38,67</b> | 60       |
| 11         | E37 V2A 110/250        | <b>40,28</b> | 60       |
| L = 2,00 m |                        |              |          |
| 6          | E37 V2A 60/200         | <b>37,24</b> | 60       |
| 8          | E37 V2A 80/200         | <b>38,67</b> | 60       |
| 11         | E37 V2A 110/200        | <b>40,28</b> | 60       |
| L = 1,50 m |                        |              |          |
| 6          | E37 V2A 60/150         | <b>37,24</b> | 60       |
| 8          | E37 V2A 80/150         | <b>38,67</b> | 60       |
| 11         | E37 V2A 110/150        | <b>40,28</b> | 60       |

#### Schlüter®-ECK-EB

Roestvast staal V2A geborsteld

| H (mm)     | L = 3,00 m<br>Art.-No. | € / m        | KV (st.) |
|------------|------------------------|--------------|----------|
| 6          | E37 V2A EB 60/300      | <b>48,41</b> | 60       |
| 8          | E37 V2A EB 80/300      | <b>50,27</b> | 60       |
| 11         | E37 V2A EB 110/300     | <b>52,39</b> | 60       |
| L = 2,50 m |                        |              |          |
| 6          | E37 V2A EB 60/250      | <b>48,41</b> | 60       |
| 8          | E37 V2A EB 80/250      | <b>50,27</b> | 60       |
| 11         | E37 V2A EB 110/250     | <b>52,39</b> | 60       |
| L = 2,00 m |                        |              |          |
| 6          | E37 V2A EB 60/200      | <b>48,41</b> | 60       |
| 8          | E37 V2A EB 80/200      | <b>50,27</b> | 60       |
| 11         | E37 V2A EB 110/200     | <b>52,39</b> | 60       |
| L = 1,50 m |                        |              |          |
| 6          | E37 V2A EB 60/150      | <b>48,41</b> | 60       |
| 8          | E37 V2A EB 80/150      | <b>50,27</b> | 60       |
| 11         | E37 V2A EB 110/150     | <b>52,39</b> | 60       |

#### Schlüter®-ECK-E V4A

Roestvast staal V4A

| H (mm)     | L = 3,00 m<br>Art.-No. | € / m        | KV (st.) |
|------------|------------------------|--------------|----------|
| 8          | E37 V4A 80/300         | <b>42,54</b> | 60       |
| 11         | E37 V4A 110/300        | <b>44,34</b> | 60       |
| L = 2,50 m |                        |              |          |
| 8          | E37 V4A 80/250         | <b>42,54</b> | 60       |
| 11         | E37 V4A 110/250        | <b>44,34</b> | 60       |
| L = 2,00 m |                        |              |          |
| 8          | E37 V4A 80/200         | <b>42,54</b> | 60       |
| 11         | E37 V4A 110/200        | <b>44,34</b> | 60       |
| L = 1,50 m |                        |              |          |
| 8          | E37 V4A 80/150         | <b>42,54</b> | 60       |
| 11         | E37 V4A 110/150        | <b>44,34</b> | 60       |



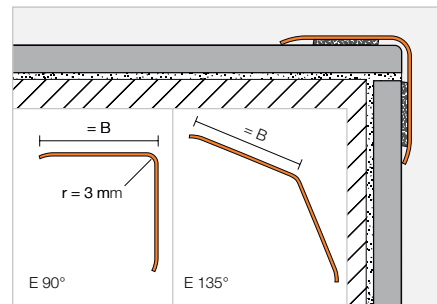
## Hoekprofiel

### Schlüter®-ECK-K



Schlüter-ECK-K is een roestvaststalen hoekprofiel dat achteraf op uitwendige hoeken van tegels of andere wandbekledingen wordt gekleefd.

(Productdatablad 2.7)



#### Schlüter®-ECK-K-E

Roestvast staal V2A

| B (mm) | L = 3,00 m<br>Art.-No. | € / m | KV (st.) |
|--------|------------------------|-------|----------|
| 15     | K15 V2A/300            | 25,73 | 60       |
| 32     | K32 V2A/300            | 37,53 | 60       |
| 50     | K50 V2A/300            | 48,33 | 60       |
|        | L = 2,50 m             |       |          |
| 15     | K15 V2A/250            | 25,73 | 60       |
| 32     | K32 V2A/250            | 37,53 | 60       |
| 50     | K50 V2A/250            | 48,33 | 60       |
|        | L = 2,00 m             |       |          |
| 15     | K15 V2A/200            | 25,73 | 60       |
| 32     | K32 V2A/200            | 37,53 | 60       |
| 50     | K50 V2A/200            | 48,33 | 60       |
|        | L = 1,50 m             |       |          |
| 15     | K15 V2A/150            | 25,73 | 60       |
| 32     | K32 V2A/150            | 37,53 | 60       |
| 50     | K50 V2A/150            | 48,33 | 60       |

#### Schlüter®-ECK-K-EB

Roestvast staal V2A geborsteld

| B (mm) | L = 3,00 m<br>Art.-No. | € / m | KV (st.) |
|--------|------------------------|-------|----------|
| 15     | K15 V2A EB/300         | 33,44 | 60       |
| 32     | K32 V2A EB/300         | 48,82 | 60       |
| 50     | K50 V2A EB/300         | 62,77 | 60       |
|        | L = 2,50 m             |       |          |
| 15     | K15 V2A EB/250         | 33,44 | 60       |
| 32     | K32 V2A EB/250         | 48,82 | 60       |
| 50     | K50 V2A EB/250         | 62,77 | 60       |
|        | L = 2,00 m             |       |          |
| 15     | K15 V2A EB/200         | 33,44 | 60       |
| 32     | K32 V2A EB/200         | 48,82 | 60       |
| 50     | K50 V2A EB/200         | 62,77 | 60       |
|        | L = 1,50 m             |       |          |
| 15     | K15 V2A EB/150         | 33,44 | 60       |
| 32     | K32 V2A EB/150         | 48,82 | 60       |
| 50     | K50 V2A EB/150         | 62,77 | 60       |

#### Schlüter®-ECK-K-E V4A

Roestvast staal V4A

| B (mm) | L = 2,50 m<br>Art.-No. | € / m | KV (st.) |
|--------|------------------------|-------|----------|
| 32     | K32 V4A/250            | 41,30 | 60       |
|        | L = 2,00 m             |       |          |
| 32     | K32 V4A/200            | 41,30 | 60       |
|        | L = 1,50 m             |       |          |
| 32     | K32 V4A/150            | 41,30 | 60       |

#### Schlüter®-ECK-K-E-S

Roestvast staal V2A, hoek van 135°

| B (mm) | L = 3,00 m<br>Art.-No. | € / m | KV (st.) |
|--------|------------------------|-------|----------|
| 32     | K32 ES/300             | 36,71 | 60       |
|        | L = 2,50 m             |       |          |
| 32     | K32 ES                 | 36,71 | 60       |
|        | L = 2,00 m             |       |          |
| 32     | K32 ES/200             | 36,71 | 60       |
|        | L = 1,50 m             |       |          |
| 32     | K32 ES/150             | 36,71 | 60       |

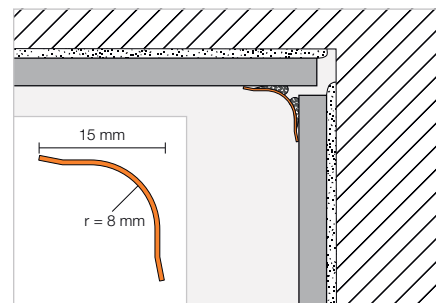
## Holplintprofiel

## Schlüter®-ECK-KHK



Schlüter-ECK-KHK is een als holle plint uit-gevoerd hoekprofiel uit roestvast staal om achteraf op inwendige hoeken van tegels of andere wandbekledingen te kleven.

(Productdatablad 2.7)



## Schlüter®-ECK-KHK-E

Roestvast staal V2A

| B (mm) | L = 3,00 m<br>Art.-No. | € / m | KV (st.) |
|--------|------------------------|-------|----------|
| 15     | KHK15 E/300            | 25,73 | 60       |
|        | L = 2,50 m             |       |          |
| 15     | KHK15 E                | 25,73 | 60       |
|        | L = 2,00 m             |       |          |
| 15     | KHK15 E/200            | 25,73 | 60       |
|        | L = 1,50 m             |       |          |
| 15     | KHK15 E/150            | 25,73 | 60       |

## Schlüter®-ECK-KHK-EB

Roestvast staal V2A geborsteld

| B (mm) | L = 3,00 m<br>Art.-No. | € / m | KV (st.) |
|--------|------------------------|-------|----------|
| 15     | KHK15 EB/300           | 33,44 | 60       |
|        | L = 2,50 m             |       |          |
| 15     | KHK15 EB               | 33,44 | 60       |
|        | L = 2,00 m             |       |          |
| 15     | KHK15 EB/200           | 33,44 | 60       |
|        | L = 1,50 m             |       |          |
| 15     | KHK15 EB/150           | 33,44 | 60       |

## Hoek | Verbindingsstuk

## Schlüter®-ECK-KHK-E/E

Buitenhoek 90° roestvast staal V2A

| Art.-No.    | € / St. | P (st.) |
|-------------|---------|---------|
| E / KHK15 E | 8,52    | 50      |

## Schlüter®-ECK-KHK-EB/E

Buitenhoek 90° roestvast staal V2A geborsteld

| Art.-No.     | € / St. | P (st.) |
|--------------|---------|---------|
| E / KHK15 EB | 9,38    | 50      |

## Schlüter®-ECK-KHK-E/I

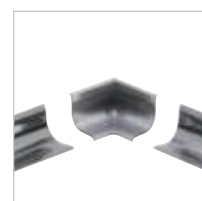
Binnenhoek 90° roestvast staal V2A

| Art.-No.    | € / St. | P (st.) |
|-------------|---------|---------|
| I/2 KHK15 E | 8,52    | 50      |
| I/3 KHK15 E | 8,52    | 50      |

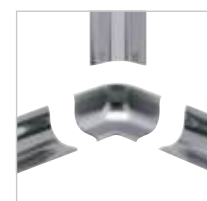
## Schlüter®-ECK-KHK-EB/I

Binnenhoek 90° roestvast staal V2A geborsteld

| Art.-No.     | € / St. | P (st.) |
|--------------|---------|---------|
| I/2 KHK15 EB | 9,38    | 50      |
| I/3 KHK15 EB | 9,38    | 50      |



I2 = 2 overgangen



I3 = 3 overgangen

## Schlüter®-ECK-KHK-E/V

Verbindingsstuk roestvast staal V2A

| Art.-No.    | € / St. | P (st.) |
|-------------|---------|---------|
| V / KHK15 E | 8,52    | 50      |

## Schlüter®-ECK-KHK-EB/V

Verbindingsstuk roestvast staal V2A geborsteld

| Art.-No.     | € / St. | P (st.) |
|--------------|---------|---------|
| V / KHK15 EB | 9,38    | 50      |



E / KHK I/2 KHK I/3 KHK V / KHK



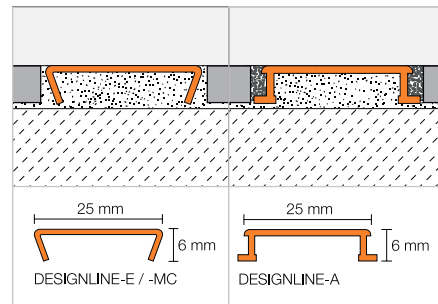
## Sierstrip

### Schlüter®-DESIGNLINE



Schlüter-DESIGNLINE is een sierstrip waarmee u optisch aantrekkelijke wandbekledingen kunt vervaardigen. De profielserie kan worden gecombineerd met de overeenkomstige Schlüter-RONDEC, -QUADEC of -JOLLY profielen voor uitwendige hoeken in wandbekledingen.

(Productdatablad 2.2)



#### Schlüter®-DESIGNLINE-MC

Messing verchromd

| L = 2,50 m<br>Art.-No. | € / m | KV (st.) |
|------------------------|-------|----------|
| DL 625 MC              | 37,35 | 120      |

#### Schlüter®-DESIGNLINE-E

Roestvast staal V2A glanzend

| L = 2,50 m<br>Art.-No. | € / m | KV (st.) |
|------------------------|-------|----------|
| DL 625 E               | 26,55 | 120      |

#### Schlüter®-DESIGNLINE-EB

Roestvast staal V2A geborsteld

| L = 2,50 m<br>Art.-No. | € / m | KV (st.) |
|------------------------|-------|----------|
| DL 625 EB              | 30,58 | 120      |

#### Schlüter®-DESIGNLINE-AME

Aluminium mat geanodiseerd

| L = 2,50 m<br>Art.-No. | € / m | KV (st.) |
|------------------------|-------|----------|
| DL 625 ...*            | 13,07 | 120      |

#### Schlüter®-DESIGNLINE-AGE

Aluminium glanzend geanodiseerd

| L = 2,50 m<br>Art.-No. | € / m | KV (st.) |
|------------------------|-------|----------|
| DL 625 ...**           | 24,12 | 120      |

#### Schlüter®-DESIGNLINE-AGBE

Aluminium geborsteld geanodiseerd

| L = 2,50 m<br>Art.-No. | € / m | KV (st.) |
|------------------------|-------|----------|
| DL 625 ...***          | 25,37 | 120      |

#### Schlüter®-DESIGNLINE-AC

Alu. met kleurcoating

| L = 2,50 m<br>Art.-No. | € / m | KV (st.) |
|------------------------|-------|----------|
| DL 625 ...****         | 15,13 | 120      |



#### Art.-No. aanvullen met oppervlak/kleur (bijv. DL 625 MBW)

\* Oppervlakken/kleuren: AE - AK - AM - AT

\*\* Oppervlakken/kleuren: ACG - AKG - AMG - ATG

\*\*\* Oppervlakken/kleuren: ACGB - AKGB - AMGB - ATGB

\*\*\*\* Oppervlakken/kleuren: BW - MBW - MGS

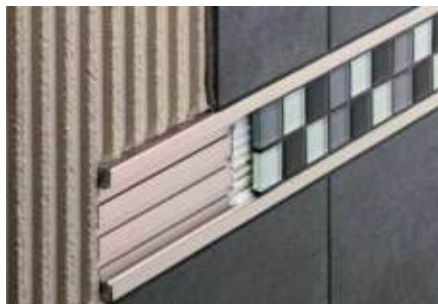
Een overzicht van de oppervlakken en kleuren vindt u vanaf pagina 342.

#### Opmerking:

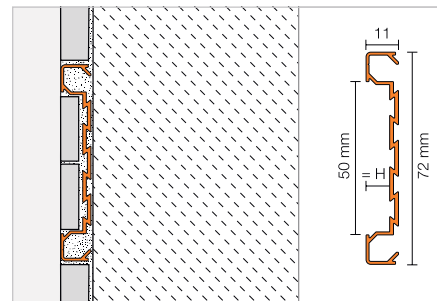
Voor Schlüter-DESIGNLINE passen alle -RONDEC, -QUADEC en -JOLLY profielen met het vergelijkbare Art.-No. oppervlak bij elkaar.

## Decoratief profiel

## Schlüter®-QUADEC-FS



Schlüter-QUADEC-FS is een decoratief profiel voor de omranding van boorden of ornamenteel geplaatste tegelstrips.  
(Productdatablad 2.11)



## Schlüter®-QUADEC-FS

Aluminium mat geanodiseerd

| H (mm) | L = 2,50 m<br>Art.-No. | € / m | KV (st.) |
|--------|------------------------|-------|----------|
| 8      | QF 8/50 ...*           | 45,04 | 120      |

## Hoek

## Schlüter®-QUADEC-FS/E

Buiten-/binnenhoek 90°

| H (mm) | Art.-No.          | € / St. | P (st.) |
|--------|-------------------|---------|---------|
| 8      | EV / QF 8/50 ...* | 31,55   | 50      |



Het hoekstukje kan zowel voor binnen- als voor buitenhoeken worden gebruikt.

## Art.-No. aanvullen met oppervlak (bijv. EV / QF 8/50 AT)

\* Oppervlakken: AE - AT

Een overzicht van de oppervlakken en kleuren vindt u vanaf pagina 342.



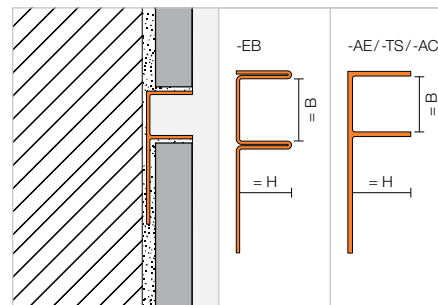
## Opnameprofiel

### Schlüter®-DECO-SG



Schlüter-DECO-SG is een decoratief profiel als voeguitsparing in tegelbekledingen. Het vormt een 12 mm of 15 mm brede schaduwvoeg. De voeg is uitermate geschikt voor het plaatsen en bevestigen van glaselementen in de vloer en wand.

(Productdatablad 2.16)



#### Schlüter®-DECO-SG-EB

Roestvast staal V4A geborsteld, B = 12 mm

| H (mm) | L = 2,50 m Art.-No. | € / m        | KV (st.) |
|--------|---------------------|--------------|----------|
| 8      | SG 80 EB 12         | <b>52,42</b> | 120      |
| 10     | SG 100 EB 12        | <b>55,05</b> | 120      |
| 11     | SG 110 EB 12        | <b>57,66</b> | 120      |
| 12,5   | SG 125 EB 12        | <b>60,27</b> | 120      |

#### Schlüter®-DECO-SG-EB

Roestvast staal V4A geborsteld, B = 15 mm

| H (mm) | L = 2,50 m Art.-No. | € / m        | KV (st.) |
|--------|---------------------|--------------|----------|
| 8      | SG 80 EB 15         | <b>56,35</b> | 120      |
| 10     | SG 100 EB 15        | <b>58,97</b> | 120      |
| 11     | SG 110 EB 15        | <b>61,60</b> | 120      |
| 12,5   | SG 125 EB 15        | <b>64,22</b> | 120      |

#### Schlüter®-DECO-SG-AE

Alu. bruut mat geanodiseerd, B = 12 mm

| H (mm) | L = 2,50 m Art.-No. | € / m        | KV (st.) |
|--------|---------------------|--------------|----------|
| 8      | SG 80 AE 12         | <b>18,74</b> | 120      |
| 10     | SG 100 AE 12        | <b>19,23</b> | 120      |
| 11     | SG 110 AE 12        | <b>19,67</b> | 120      |
| 12,5   | SG 125 AE 12        | <b>20,19</b> | 120      |

#### Schlüter®-DECO-SG-AE

Alu. bruut mat geanodiseerd, B = 15 mm

| H (mm) | L = 2,50 m Art.-No. | € / m        | KV (st.) |
|--------|---------------------|--------------|----------|
| 8      | SG 80 AE 15         | <b>21,68</b> | 120      |
| 10     | SG 100 AE 15        | <b>22,00</b> | 120      |
| 11     | SG 110 AE 15        | <b>22,77</b> | 120      |
| 12,5   | SG 125 AE 15        | <b>23,27</b> | 120      |

#### Schlüter®-DECO-SG-AC

Alu. met kleurcoating, B = 12 mm

| H (mm) | L = 2,50 m Art.-No. | € / m        | KV (st.) |
|--------|---------------------|--------------|----------|
| 8      | SG 80 ...* 12       | <b>21,93</b> | 120      |
| 10     | SG 100 ...* 12      | <b>22,45</b> | 120      |
| 11     | SG 110 ...* 12      | <b>22,97</b> | 120      |
| 12,5   | SG 125 ...* 12      | <b>23,49</b> | 120      |

#### Schlüter®-DECO-SG-AC

Alu. met kleurcoating, B = 15 mm

| H (mm) | L = 2,50 m Art.-No. | € / m        | KV (st.) |
|--------|---------------------|--------------|----------|
| 8      | SG 80 ...* 15       | <b>25,57</b> | 120      |
| 10     | SG 100 ...* 15      | <b>26,10</b> | 120      |
| 11     | SG 110 ...* 15      | <b>26,62</b> | 120      |
| 12,5   | SG 125 ...* 15      | <b>27,14</b> | 120      |

#### Schlüter®-DECO-SG-TS

Alu. structuur-gecoat, B = 12 mm

| H (mm) | L = 2,50 m Art.-No. | € / m        | KV (st.) |
|--------|---------------------|--------------|----------|
| 8      | SG 80 ...** 12      | <b>26,32</b> | 120      |
| 10     | SG 100 ...** 12     | <b>26,94</b> | 120      |
| 11     | SG 110 ...** 12     | <b>27,56</b> | 120      |
| 12,5   | SG 125 ...** 12     | <b>28,18</b> | 120      |

#### Schlüter®-DECO-SG-TS

Alu. structuur-gecoat, B = 15 mm

| H (mm) | L = 2,50 m Art.-No. | € / m        | KV (st.) |
|--------|---------------------|--------------|----------|
| 8      | SG 80 ...** 15      | <b>30,69</b> | 120      |
| 10     | SG 100 ...** 15     | <b>31,33</b> | 120      |
| 11     | SG 110 ...** 15     | <b>31,95</b> | 120      |
| 12,5   | SG 125 ...** 15     | <b>32,57</b> | 120      |

**MyDesign by Schlüter-Systems**  
Individuele coating in  
190 RAL-Classic kleuren mogelijk.  
Meer info vanaf pagina 16.



Art.-No. aanvullen met oppervlak/kleur (bijv. SG 80 TSOB 15)

\* Kleuren: MBW - MGS

\*\* Kleuren: TSBG - TSC - TSDA - TSG - TSI - TSOB - TSSG

## Beschikbare oppervlakken | Kleuren



Een overzicht van de oppervlakken en kleuren vindt u vanaf pagina 342.

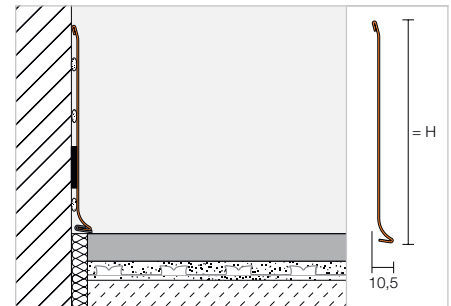
## Plintprofiel

## Schlüter®-DESIGNBASE-SL-E



Schlüter-DESIGNBASE-SL-E is een hoogwaardig profiel van roestvast staal, voor het snel realiseren van plintbekledingen in intensief gebruikte ruimtes. Het profiel wordt met een geschikte lijm aan de wand bevestigd. Met de verbindingselementen, die ook van roestvast staal zijn, is een eenvoudige en snelle montage mogelijk. Optioneel kan het profiel worden voorzien van een als toebehoren verkrijgbare afdichtlip, om de randvoegen te beschermen tegen het binnendringen van vocht en de overdracht van contactgeluid te verminderen.

(Productdatablad 16.2)



## Schlüter®-DESIGNBASE-SL-EB

Roestvast staal V2A geborsteld

| H (mm) | L = 2,50 m<br>Art.-No. | € / m        | KV (st.) |
|--------|------------------------|--------------|----------|
| 110    | DB SL 110 EB           | <b>47,18</b> | 60       |
| 160    | DB SL 160 EB           | <b>58,97</b> | 60       |

## Hoek | Eindkapje | Verbindingsstuk | Afdichtlip

## Schlüter®-DESIGNBASE-SL-EB/E 90°

Buitenhoek 90° roestvast staal V2A geborsteld

| H (mm) | Art.-No.            | € / St.      | P (st.) |
|--------|---------------------|--------------|---------|
| 110    | E 90 / DB SL 110 EB | <b>45,86</b> | 50      |
| 160    | E 90 / DB SL 160 EB | <b>48,49</b> | 50      |



## Schlüter®-DESIGNBASE-SL-EB/I 90°

Binnenhoek 90° roestvast staal V2A geborsteld

| H (mm) | Art.-No.            | € / St.      | P (st.) |
|--------|---------------------|--------------|---------|
| 110    | I 90 / DB SL 110 EB | <b>45,86</b> | 50      |
| 160    | I 90 / DB SL 160 EB | <b>48,49</b> | 50      |

## Schlüter®-DESIGNBASE-SL-EB/EK

Eindkapje links roestvast staal V2A geborsteld

| H (mm) | Art.-No.          | € / St.      | P (st.) |
|--------|-------------------|--------------|---------|
| 110    | EL / DB SL 110 EB | <b>32,75</b> | 50      |
| 160    | EL / DB SL 160 EB | <b>34,07</b> | 50      |



## Schlüter®-DESIGNBASE-SL-EB/EK

Eindkapje rechts roestvast staal V2A geborsteld

| H (mm) | Art.-No.          | € / St.      | P (st.) |
|--------|-------------------|--------------|---------|
| 110    | ER / DB SL 110 EB | <b>32,75</b> | 50      |
| 160    | ER / DB SL 160 EB | <b>34,07</b> | 50      |

## Schlüter®-DESIGNBASE-SL-EB/V

Verbindingsstuk roestvast staal V2A geborsteld

| H (mm) | Art.-No.         | € / St.      | P (st.) |
|--------|------------------|--------------|---------|
| 110    | V / DB SL 110 EB | <b>19,66</b> | 50      |
| 160    | V / DB SL 160 EB | <b>20,96</b> | 50      |



## Schlüter®-DESIGNBASE-SL/ZS

Afdichtlip

| L = 2,50 m<br>Art.-No. | € / m       | KV (st.) |
|------------------------|-------------|----------|
| DB ZS LLE              | <b>5,91</b> | 60       |

**Kleuren:**

DB ZS LLE = lichtgrijs



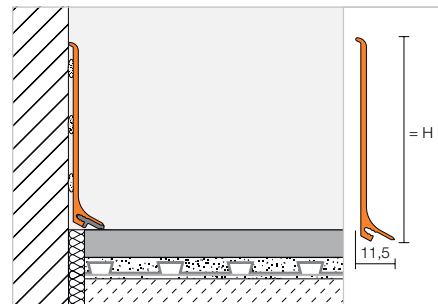


## Plintprofiel

### Schlüter®-DESIGNBASE-SL-A



Schlüter-DESIGNBASE-SL-A is een profiel van hoogwaardig gecoat of geanodiseerd aluminium voor het snel realiseren van aantrekkelijke plintbekledingen. Het profiel wordt eenvoudig met een geschikte lijm aan de wand bevestigd. Optioneel kan het profiel worden voorzien van een als toebehoren verkrijgbare afdichtlip, om de randvoegen te beschermen tegen het binnendringen van vocht en de overdracht van contactgeluid te verminderen. (Productdatablad 16.2)



#### Schlüter®-DESIGNBASE-SL-AE

Alu. bruut mat geanodiseerd

| H (mm) | L = 2,50 m<br>Art.-No. | € / m | KV (st.) |
|--------|------------------------|-------|----------|
| 60     | DB SL 60 AE            | 14,77 | 60       |
| 80     | DB SL 80 AE            | 18,79 | 60       |

#### Schlüter®-DESIGNBASE-SL-AEEB

Alu. rvs-look geborsteld geanodiseerd

| H (mm) | L = 2,50 m<br>Art.-No. | € / m | KV (st.) |
|--------|------------------------|-------|----------|
| 60     | DB SL 60 AEEB          | 25,50 | 60       |
| 80     | DB SL 80 AEEB          | 32,90 | 60       |

#### Schlüter®-DESIGNBASE-SL-AC

Alu. met kleurcoating

| H (mm) | L = 2,50 m<br>Art.-No. | € / m | KV (st.) |
|--------|------------------------|-------|----------|
| 60     | DB SL 60 MBW           | 19,47 | 60       |
| 80     | DB SL 80 MBW           | 24,17 | 60       |

## Hoek | Eindkapje | Verbindingsstuk | Afdichtlip

#### Schlüter®-DESIGNBASE-SL-AE/ED

Buitenhoek 90°  
alu. bruut mat geanodiseerd

| H (mm) | Art.-No.         | € / St. | P (st.) |
|--------|------------------|---------|---------|
| 60     | ED / DB SL 60 AE | 13,42   | 50      |
| 80     | ED / DB SL 80 AE | 13,42   | 50      |

#### Schlüter®-DESIGNBASE-SL-AEEB/ED

Buitenhoek 90°  
alu. rvs-look geborsteld geanodiseerd

| H (mm) | Art.-No.           | € / St. | P (st.) |
|--------|--------------------|---------|---------|
| 60     | ED / DB SL 60 AEEB | 13,42   | 50      |
| 80     | ED / DB SL 80 AEEB | 13,42   | 50      |

#### Schlüter®-DESIGNBASE-SL-AC/ED

Buitenhoek 90°  
alu. met kleurcoating

| H (mm) | Art.-No.          | € / St. | P (st.) |
|--------|-------------------|---------|---------|
| 60     | ED / DB SL 60 MBW | 13,42   | 50      |
| 80     | ED / DB SL 80 MBW | 13,42   | 50      |

#### Schlüter®-DESIGNBASE-SL-AE/ID

Binnenhoek 90° alu. bruut mat geanodiseerd

| H (mm) | Art.-No.         | € / St. | P (st.) |
|--------|------------------|---------|---------|
| 60     | ID / DB SL 60 AE | 13,42   | 50      |
| 80     | ID / DB SL 80 AE | 13,42   | 50      |

#### Schlüter®-DESIGNBASE-SL-AEEB/ID

Binnenhoek 90° alu. rvs-look geanodiseerd

| H (mm) | Art.-No.           | € / St. | P (st.) |
|--------|--------------------|---------|---------|
| 60     | ID / DB SL 60 AEEB | 13,42   | 50      |
| 80     | ID / DB SL 80 AEEB | 13,42   | 50      |

#### Schlüter®-DESIGNBASE-SL-AC/ID

Binnenhoek 90° alu. met kleurcoating

| H (mm) | Art.-No.          | € / St. | P (st.) |
|--------|-------------------|---------|---------|
| 60     | ID / DB SL 60 MBW | 13,42   | 50      |
| 80     | ID / DB SL 80 MBW | 13,42   | 50      |

### Opmerking:

De binnenhoeken (ID / DB SL 60 AEEB en ID / DB SL 80 AEEB) zijn wegens productietechnische redenen niet geborsteld.

#### Schlüter®-DESIGNBASE-SL-AE/EK

Eindkapje links  
alu. bruut mat geanodiseerd

| H (mm) | Art.-No.         | € / St. | P (st.) |
|--------|------------------|---------|---------|
| 60     | EL / DB SL 60 AE | 13,42   | 50      |
| 80     | EL / DB SL 80 AE | 13,42   | 50      |

#### Schlüter®-DESIGNBASE-SL-AEEB/EK

Eindkapje links  
alu. rvs-look geborsteld geanodiseerd

| H (mm) | Art.-No.           | € / St. | P (st.) |
|--------|--------------------|---------|---------|
| 60     | EL / DB SL 60 AEEB | 13,42   | 50      |
| 80     | EL / DB SL 80 AEEB | 13,42   | 50      |

#### Schlüter®-DESIGNBASE-SL-AC/EK

Eindkapje links  
alu. met kleurcoating

| H (mm) | Art.-No.          | € / St. | P (st.) |
|--------|-------------------|---------|---------|
| 60     | EL / DB SL 60 MBW | 13,42   | 50      |
| 80     | EL / DB SL 80 MBW | 13,42   | 50      |

#### Schlüter®-DESIGNBASE-SL-AE/EK

Eindkapje rechts  
alu. bruut mat geanodiseerd

| H (mm) | Art.-No.         | € / St. | P (st.) |
|--------|------------------|---------|---------|
| 60     | ER / DB SL 60 AE | 13,42   | 50      |
| 80     | ER / DB SL 80 AE | 13,42   | 50      |

#### Schlüter®-DESIGNBASE-SL-AEEB/EK

Eindkapje rechts  
alu. rvs-look geborsteld geanodiseerd

| H (mm) | Art.-No.           | € / St. | P (st.) |
|--------|--------------------|---------|---------|
| 60     | ER / DB SL 60 AEEB | 13,42   | 50      |
| 80     | ER / DB SL 80 AEEB | 13,42   | 50      |

#### Schlüter®-DESIGNBASE-SL-AC/EK

Eindkapje rechts  
alu. met kleurcoating

| H (mm) | Art.-No.          | € / St. | P (st.) |
|--------|-------------------|---------|---------|
| 60     | ER / DB SL 60 MBW | 13,42   | 50      |
| 80     | ER / DB SL 80 MBW | 13,42   | 50      |

**Schlüter®-DESIGNBASE-SL-AE/V**Verbindingsstuk  
alu. bruut mat geanodiseerd

| H (mm) | Art.-No.        | € / St. | P (st.) |
|--------|-----------------|---------|---------|
| 60     | V / DB SL 60 AE | 13,42   | 50      |
| 80     | V / DB SL 80 AE | 13,42   | 50      |

**Verkrijgbare kleurcoating:**

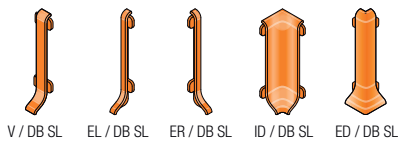
MBW

Kleuren: MBW

Een overzicht van de oppervlakken en kleuren vindt u vanaf pagina 342.

**Schlüter®-DESIGNBASE-SL-AEEB/V**Verbindingsstuk  
alu. rvs-look geborsteld geanodiseerd

| H (mm) | Art.-No.          | € / St. | P (st.) |
|--------|-------------------|---------|---------|
| 60     | V / DB SL 60 AEEB | 13,42   | 50      |
| 80     | V / DB SL 80 AEEB | 13,42   | 50      |

**Schlüter®-DESIGNBASE-SL-AC/V**Verbindingsstuk  
alu. met kleurcoating

| H (mm) | Art.-No.         | € / St. | P (st.) |
|--------|------------------|---------|---------|
| 60     | V / DB SL 60 MBW | 13,42   | 50      |
| 80     | V / DB SL 80 MBW | 13,42   | 50      |

**Schlüter®-DESIGNBASE-SL/ZS**

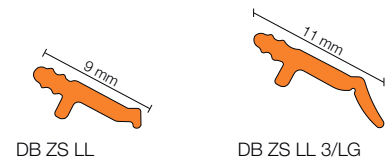
Afdichtlip

| L = 2,50 m<br>Art.-No. | € / m | KV (st.) |
|------------------------|-------|----------|
| DB ZS LL               | 5,31  | 60       |
| DB ZS LL 3/LG          | 6,58  | 60       |

**Kleuren:**

DB ZS LL = lichtgrijs

DB ZS LL 3/LG = lichtgrijs

**Opmerking:**

Verlengde afdichtlip DB ZS LL 3/LG voor dekvloeroneffenheden in nieuwbouw.

**Opmerking:**

Schlüter-DESIGNBASE-SL-A kan met de buigmachine Schlüter-RUMA onder bepaalde voorwaarden in een radius worden gebogen. Neem indien nodig contact met ons op. Plinten met LED-verlichting maakt u met Schlüter-DESIGNBASE-QD, zie prijslijst LT.



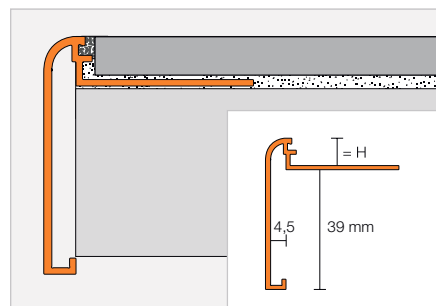
## Afsluitprofiel

### Schlüter®-RONDEC-STEP



Schlüter-RONDEC-STEP is een kantprofiel met voegribje voor werkbladen of plateaus waarop een keramische bekleding komt. De bovenste afsluitkant heeft een afgeronde rand.

(Productdatablad 2.8)



#### Schlüter®-RONDEC-STEP-AE

Alu. bruut mat geanodiseerd

| H (mm) | L = 2,50 m<br>Art.-No. | € / m        | KV (st.) |
|--------|------------------------|--------------|----------|
| 8      | RS 80 AE 39            | <b>27,98</b> | 60       |
| 10     | RS 100 AE 39           | <b>28,59</b> | 60       |
| 12,5   | RS 125 AE 39           | <b>29,16</b> | 60       |

#### Schlüter®-RONDEC-STEP-ACGB

Alu. chroom geborsteld geanodiseerd

| H (mm) | L = 2,50 m<br>Art.-No. | € / m        | KV (st.) |
|--------|------------------------|--------------|----------|
| 8      | RS 80 ACGB 39          | <b>34,57</b> | 60       |
| 10     | RS 100 ACGB 39         | <b>35,14</b> | 60       |
| 12,5   | RS 125 ACGB 39         | <b>35,67</b> | 60       |

#### Schlüter®-RONDEC-STEP-AC

Alu. met kleurcoating

| H (mm) | L = 2,50 m<br>Art.-No. | € / m        | KV (st.) |
|--------|------------------------|--------------|----------|
| 8      | RS 80 ...* 39          | <b>31,01</b> | 60       |
| 10     | RS 100 ...* 39         | <b>32,03</b> | 60       |
| 12,5   | RS 125 ...* 39         | <b>33,06</b> | 60       |

## Hoek

#### Schlüter®-RONDEC-STEP/E 90°

Buitenhoek 90°

| H (mm) | Art.-No.            | € / St.      | P (st.) |
|--------|---------------------|--------------|---------|
| 8      | E90 RS 80 ...** 39  | <b>31,35</b> | 50      |
| 10     | E90 RS 100 ...** 39 | <b>31,35</b> | 50      |
| 12,5   | E90 RS 125 ...** 39 | <b>31,35</b> | 50      |

#### Schlüter®-RONDEC-STEP/E 135°

Buitenhoek 135°

| H (mm) | Art.-No.             | € / St.      | P (st.) |
|--------|----------------------|--------------|---------|
| 8      | E135 RS 80 ...** 39  | <b>31,35</b> | 50      |
| 10     | E135 RS 100 ...** 39 | <b>31,35</b> | 50      |
| 12,5   | E135 RS 125 ...** 39 | <b>31,35</b> | 50      |



#### Schlüter®-RONDEC-STEP-AC/E 90°

Buitenhoek 90° massief alu.

| H (mm) | Art.-No.           | € / St.      | P (st.) |
|--------|--------------------|--------------|---------|
| 8      | E90 RS 80 ...* 39  | <b>30,24</b> | 50      |
| 10     | E90 RS 100 ...* 39 | <b>30,24</b> | 50      |
| 12,5   | E90 RS 125 ...* 39 | <b>30,24</b> | 50      |

#### Schlüter®-RONDEC-STEP-AC/E 135°

Buitenhoek 135° massief alu.

| H (mm) | Art.-No.            | € / St.      | P (st.) |
|--------|---------------------|--------------|---------|
| 8      | E135 RS 80 ...* 39  | <b>30,24</b> | 50      |
| 10     | E135 RS 100 ...* 39 | <b>30,24</b> | 50      |
| 12,5   | E135 RS 125 ...* 39 | <b>30,24</b> | 50      |

**MyDesign by Schlüter-Systems**  
Individuele print mogelijk.  
Meer info vanaf pagina 26.

#### Schlüter®-RONDEC-STEP/I 90°

Binnenhoek 90°

| H (mm) | Art.-No.            | € / St.      | P (st.) |
|--------|---------------------|--------------|---------|
| 8      | I90 RS 80 ...** 39  | <b>31,35</b> | 50      |
| 10     | I90 RS 100 ...** 39 | <b>31,35</b> | 50      |
| 12,5   | I90 RS 125 ...** 39 | <b>31,35</b> | 50      |

#### Schlüter®-RONDEC-STEP/I 135°

Binnenhoek 135°

| H (mm) | Art.-No.             | € / St.      | P (st.) |
|--------|----------------------|--------------|---------|
| 8      | I135 RS 80 ...** 39  | <b>31,35</b> | 50      |
| 10     | I135 RS 100 ...** 39 | <b>31,35</b> | 50      |
| 12,5   | I135 RS 125 ...** 39 | <b>31,35</b> | 50      |



#### Schlüter®-RONDEC-STEP-AC/I 90°

Binnenhoek 90° massief alu.

| H (mm) | Art.-No.           | € / St.      | P (st.) |
|--------|--------------------|--------------|---------|
| 8      | I90 RS 80 ...* 39  | <b>30,24</b> | 50      |
| 10     | I90 RS 100 ...* 39 | <b>30,24</b> | 50      |
| 12,5   | I90 RS 125 ...* 39 | <b>30,24</b> | 50      |

#### Schlüter®-RONDEC-STEP-AC/I 135°

Binnenhoek 135° massief alu.

| H (mm) | Art.-No.            | € / St.      | P (st.) |
|--------|---------------------|--------------|---------|
| 8      | I135 RS 80 ...* 39  | <b>30,24</b> | 50      |
| 10     | I135 RS 100 ...* 39 | <b>30,24</b> | 50      |
| 12,5   | I135 RS 125 ...* 39 | <b>30,24</b> | 50      |

Art.-No. aanvullen met oppervlak/kleur  
(bijv. I135 RS 80 MBW 39)

BW MBW MGS

\* Oppervlakken/kleuren: BW - MBW - MGS

\*\* Oppervlakken/kleuren: ACGB - AE

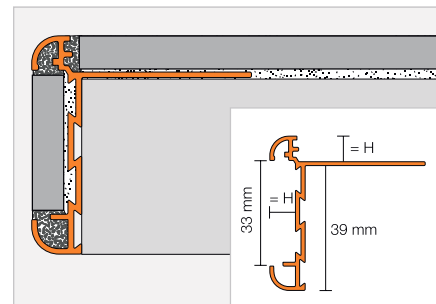
Een overzicht van de oppervlakken en kleuren vindt u vanaf pagina 342.

## Afsluitprofiel

## Schlüter®-RONDEC-STEP-CT



Schlüter-RODEC-STEP-CT is een kantprofiel met voegribje voor werkbladen of plateaus waarop een keramische bekleding komt. In de voorste uitsparing van het profiel kan de bekleding van het werkblad of een ander decoratief materiaal worden aangebracht. (Productdatablad 2.8)



## Schlüter®-RONDEC-STEP-CT-AE

Alu. bruut mat geanodiseerd

| H (mm) | L = 2,50 m<br>Art.-No. | € / m        | KV (st.) |
|--------|------------------------|--------------|----------|
| 8      | RC 80 AE 39            | <b>45,95</b> | 60       |
| 10     | RC 100 AE 39           | <b>46,98</b> | 60       |
| 12,5   | RC 125 AE 39           | <b>47,93</b> | 60       |

## Schlüter®-RONDEC-STEP-CT-ACGB

Alu. chroom geborsteld geanodiseerd

| H (mm) | L = 2,50 m<br>Art.-No. | € / m        | KV (st.) |
|--------|------------------------|--------------|----------|
| 8      | RC 80 ACGB 39          | <b>49,80</b> | 60       |
| 10     | RC 100 ACGB 39         | <b>50,80</b> | 60       |
| 12,5   | RC 125 ACGB 39         | <b>51,76</b> | 60       |

## Hoek

## Schlüter®-RONDEC-STEP-CT/E 90°

Buitenhoek 90°

| H (mm) | Art.-No.           | € / St.      | P (st.) |
|--------|--------------------|--------------|---------|
| 8      | E90 RC 80 ...* 39  | <b>31,35</b> | 10      |
| 10     | E90 RC 100 ...* 39 | <b>31,35</b> | 10      |
| 12,5   | E90 RC 125 ...* 39 | <b>31,35</b> | 10      |

## Schlüter®-RONDEC-STEP-CT/E 135°

Buitenhoek 135°

| H (mm) | Art.-No.            | € / St.      | P (st.) |
|--------|---------------------|--------------|---------|
| 8      | E135 RC 80 ...* 39  | <b>31,35</b> | 10      |
| 10     | E135 RC 100 ...* 39 | <b>31,35</b> | 10      |
| 12,5   | E135 RC 125 ...* 39 | <b>31,35</b> | 10      |



## Schlüter®-RONDEC-STEP-CT/I 90°

Binnenhoek 90°

| H (mm) | Art.-No.           | € / St.      | P (st.) |
|--------|--------------------|--------------|---------|
| 8      | I90 RC 80 ...* 39  | <b>31,35</b> | 10      |
| 10     | I90 RC 100 ...* 39 | <b>31,35</b> | 10      |
| 12,5   | I90 RC 125 ...* 39 | <b>31,35</b> | 10      |

## Schlüter®-RONDEC-STEP-CT/I 135°

Binnenhoek 135°

| H (mm) | Art.-No.            | € / St.      | P (st.) |
|--------|---------------------|--------------|---------|
| 8      | I135 RC 80 ...* 39  | <b>31,35</b> | 10      |
| 10     | I135 RC 100 ...* 39 | <b>31,35</b> | 10      |
| 12,5   | I135 RC 125 ...* 39 | <b>31,35</b> | 10      |



Art.-No. aanvullen met oppervlak (bijv. I135 RC 80 AE 39)

\* Oppervlakken: ACGB - AE

Een overzicht van de oppervlakken en kleuren vindt u vanaf pagina 342.



## Afsluitprofiel | Hoek | Verbindingsstuk

### Schlüter®-SCHIENE-STEP-EB



Schlüter-SCHIENE-STEP-EB is een hoogwaardig afsluitprofiel uit geborsteld roestvast staal. Door de variabele geometrie kan dit profiel worden gebruikt voor verschillende toepassingen zoals bijv. werkbladen, trapreden of voor het afwerken van een renovatie met "tegels op tegels".

(Productdatablad 2.15)

### Profielhoogte H1 = 11 mm

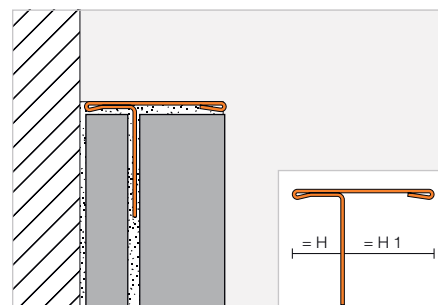


#### Schlüter®-SCHIENE-STEP-EB



Roestvast staal V2A geborsteld, H1 = 11 mm

| H (mm) | L = 2,50 m<br>Art.-No. | € / m | KV (st.) |
|--------|------------------------|-------|----------|
| 6      | SS 60 EB 11            | 38,12 | 60       |
| 12,5   | SS 125 EB 11           | 39,16 | 60       |



#### Schlüter®-SCHIENE-STEP-EB/V

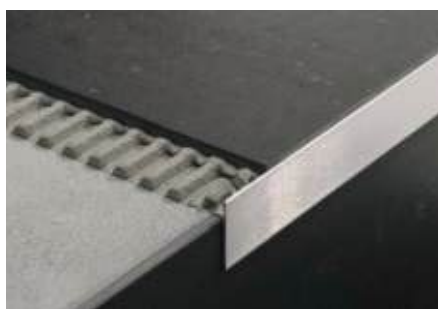
Verbindingsstuk roestvast staal V2A geborsteld

| H (mm) | Art.-No.         | € / St. | P (st.) |
|--------|------------------|---------|---------|
| 6      | V / SS 60 EB 11  | 15,25   | 50      |
| 12,5   | V / SS 125 EB 11 | 15,25   | 50      |



V / SS EB

### Profielhoogte H1 = 30 mm

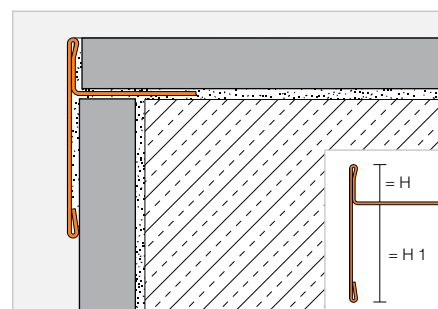


#### Schlüter®-SCHIENE-STEP-EB



Roestvast staal V2A geborsteld, H1 = 30 mm

| H (mm) | L = 2,50 m<br>Art.-No. | € / m | KV (st.) |
|--------|------------------------|-------|----------|
| 9      | SS 90 EB 30            | 42,62 | 60       |
| 11     | SS 110 EB 30           | 43,68 | 60       |
| 12,5   | SS 125 EB 30           | 44,68 | 60       |



#### Schlüter®-SCHIENE-STEP-EB/E 90°

Buitenhoek 90° roestvast staal V2A geborsteld

| H (mm) | Art.-No.           | € / St. | P (st.) |
|--------|--------------------|---------|---------|
| 9      | E90 / SS 90 EB 30  | 17,33   | 50      |
| 11     | E90 / SS 110 EB 30 | 17,33   | 50      |
| 12,5   | E90 / SS 125 EB 30 | 17,33   | 50      |

#### Schlüter®-SCHIENE-STEP-EB/V

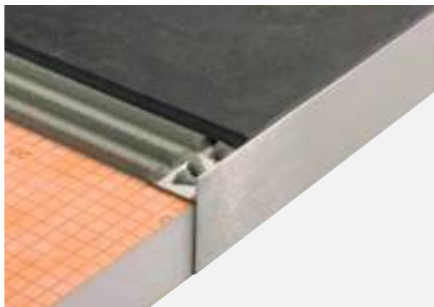
Verbindingsstuk roestvast staal V2A geborsteld

| H (mm) | Art.-No.         | € / St. | P (st.) |
|--------|------------------|---------|---------|
| 9      | V / SS 90 EB 30  | 15,25   | 50      |
| 11     | V / SS 110 EB 30 | 15,25   | 50      |
| 12,5   | V / SS 125 EB 30 | 15,25   | 50      |

#### Opmerking:

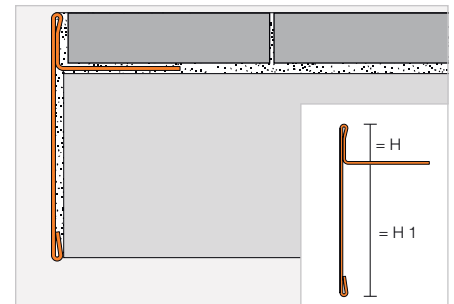
De buitenhoek 90° is ook bruikbaar als eindkapje.

## Profielhoogte H1 = 39 mm

**Schlüter®-SCHIENE-STEP-EB**

Roestvast staal V2A geborsteld, H1 = 39 mm

| H (mm) | L = 2,50 m<br>Art.-No. | € / m        | KV (st.) |
|--------|------------------------|--------------|----------|
| 6      | SS 60 EB 39            | <b>51,28</b> | 60       |
| 9      | SS 90 EB 39            | <b>53,35</b> | 60       |
| 11     | SS 110 EB 39           | <b>54,40</b> | 60       |
| 12,5   | SS 125 EB 39           | <b>56,14</b> | 60       |

**Schlüter®-SCHIENE-STEP-EB/E 90°**

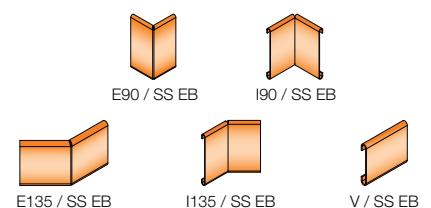
Buitenhoek 90° roestvast staal V2A geborsteld

| H (mm) | Art.-No.           | € / St.      | P (st.) |
|--------|--------------------|--------------|---------|
| 6      | E90 / SS 60 EB 39  | <b>17,33</b> | 50      |
| 9      | E90 / SS 90 EB 39  | <b>17,33</b> | 50      |
| 11     | E90 / SS 110 EB 39 | <b>17,33</b> | 50      |
| 12,5   | E90 / SS 125 EB 39 | <b>17,33</b> | 50      |

**Schlüter®-SCHIENE-STEP-EB/I 90°**

Binnenhoek 90° roestvast staal V2A geborsteld

| H (mm) | Art.-No.           | € / St.      | P (st.) |
|--------|--------------------|--------------|---------|
| 6      | I90 / SS 60 EB 39  | <b>17,33</b> | 50      |
| 9      | I90 / SS 90 EB 39  | <b>17,33</b> | 50      |
| 11     | I90 / SS 110 EB 39 | <b>17,33</b> | 50      |
| 12,5   | I90 / SS 125 EB 39 | <b>17,33</b> | 50      |

**Schlüter®-SCHIENE-STEP-EB/E 135°**

Buitenhoek 135° roestvast staal V2A geborsteld

| H (mm) | Art.-No.            | € / St.      | P (st.) |
|--------|---------------------|--------------|---------|
| 6      | E135 / SS 60 EB 39  | <b>17,33</b> | 50      |
| 9      | E135 / SS 90 EB 39  | <b>17,33</b> | 50      |
| 11     | E135 / SS 110 EB 39 | <b>17,33</b> | 50      |
| 12,5   | E135 / SS 125 EB 39 | <b>17,33</b> | 50      |

**Schlüter®-SCHIENE-STEP-EB/I 135°**

Binnenhoek 135° roestvast staal V2A geborsteld

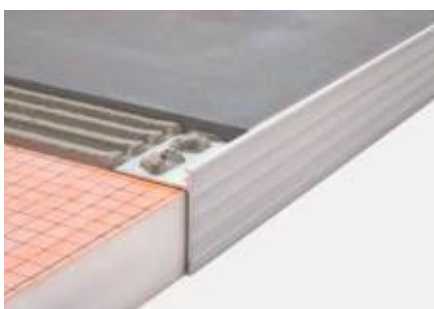
| H (mm) | Art.-No.            | € / St.      | P (st.) |
|--------|---------------------|--------------|---------|
| 6      | I135 / SS 60 EB 39  | <b>17,33</b> | 50      |
| 9      | I135 / SS 90 EB 39  | <b>17,33</b> | 50      |
| 11     | I135 / SS 110 EB 39 | <b>17,33</b> | 50      |
| 12,5   | I135 / SS 125 EB 39 | <b>17,33</b> | 50      |

**Schlüter®-SCHIENE-STEP-EB/V**

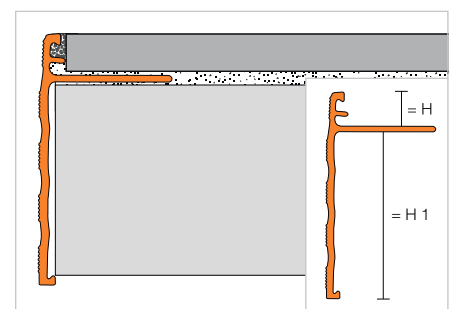
Verbindingsstuk roestvast staal V2A geborsteld

| H (mm) | Art.-No.         | € / St.      | P (st.) |
|--------|------------------|--------------|---------|
| 6      | V / SS 60 EB 39  | <b>15,25</b> | 50      |
| 9      | V / SS 90 EB 39  | <b>15,25</b> | 50      |
| 11     | V / SS 110 EB 39 | <b>15,25</b> | 50      |
| 12,5   | V / SS 125 EB 39 | <b>15,25</b> | 50      |

## Afsluitprofiel

**Schlüter®-SCHIENE-STEP**

Schlüter-SCHIENE-STEP is een kantprofiel met voegribje voor werkbladen of plateaus waarop een keramische bekleding komt. (Productdatablad 2.15)

**Schlüter®-SCHIENE-STEP-AE**

Alu. bruto mat geanodiseerd, H1 = 30 mm

| H (mm) | L = 2,50 m<br>Art.-No. | € / m        | KV (st.) |
|--------|------------------------|--------------|----------|
| 8      | SS 80 AE 30            | <b>27,21</b> | 60       |
| 10     | SS 100 AE 30           | <b>27,66</b> | 60       |
| 12,5   | SS 125 AE 30           | <b>28,48</b> | 60       |
| 15     | SS 150 AE 30           | <b>29,23</b> | 60       |

**Schlüter®-SCHIENE-STEP-AE**

Alu. bruto mat geanodiseerd, H1 = 39 mm

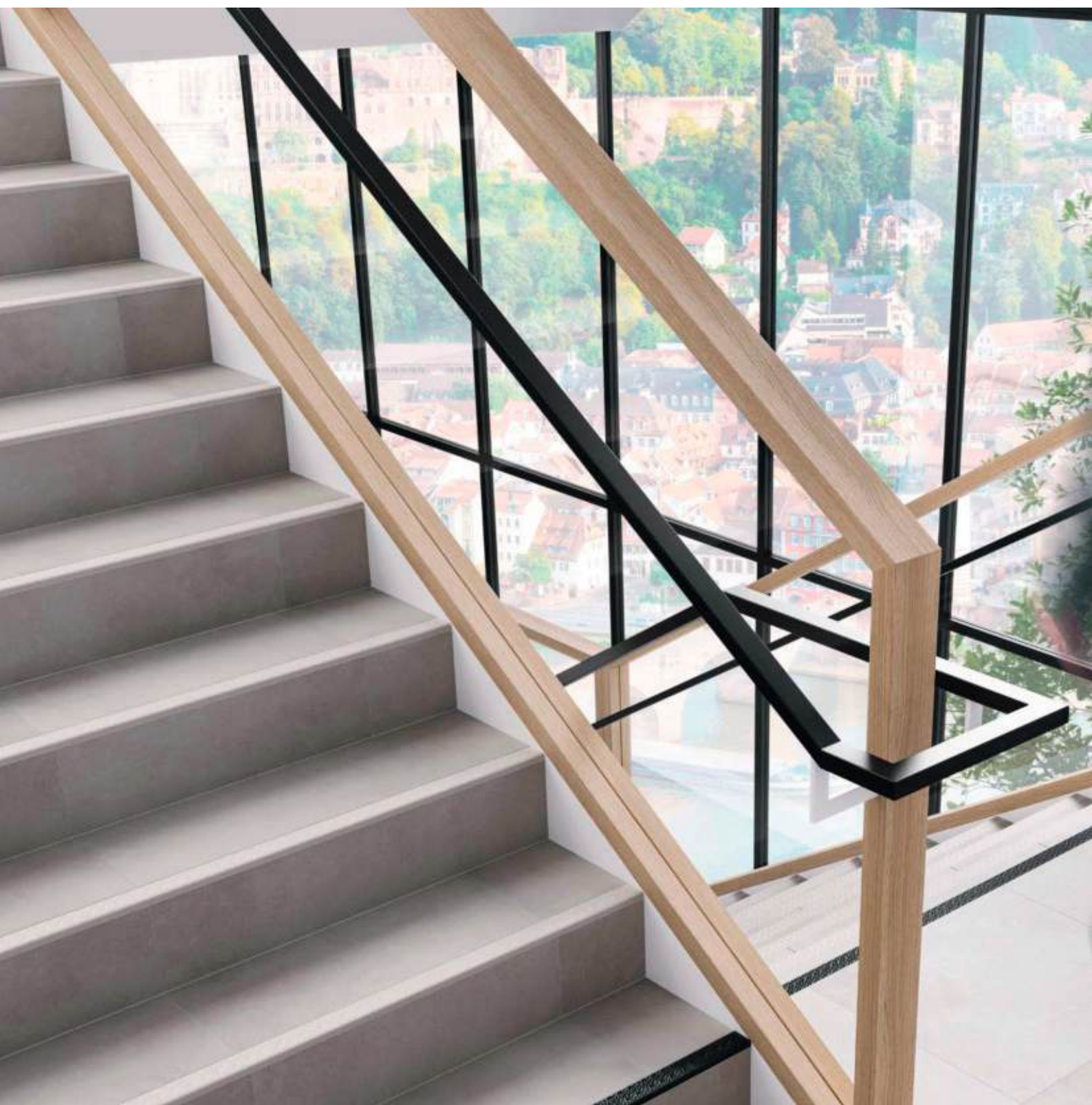
| H (mm) | L = 2,50 m<br>Art.-No. | € / m        | KV (st.) |
|--------|------------------------|--------------|----------|
| 8      | SS 80 AE 39            | <b>27,96</b> | 60       |
| 10     | SS 100 AE 39           | <b>28,37</b> | 60       |
| 12,5   | SS 125 AE 39           | <b>29,23</b> | 60       |
| 15     | SS 150 AE 39           | <b>29,70</b> | 60       |



# Schlüter-profielen

## Trapprofielen

Randen van traptreden zijn blootgesteld aan hoge mechanische belastingen. Daarnaast zijn ze ook een belangrijke oorzaak van ongevallen. Door hun slijpwerende en optisch opvallende uitvoering bieden Schlüter-TREP-profielen, die ook achteraf aangebracht kunnen worden, meer veiligheid op trappen. Ze beschermen de trapranden tegen beschadiging en voorkomen zo schade aan de traptegels. Schlüter-TREP-profielen kunnen ook perfect met de Schlüter-LIPROTEC LichtProfielTechniek worden gecombineerd.





## Trapprofielen

|                      |     |
|----------------------|-----|
| Schlüter®-TREP-V     | 105 |
| Schlüter®-TREP-S/-B  | 106 |
| Schlüter®-TREP-E     | 107 |
| Schlüter®-TREP-G/-GL | 108 |
| Schlüter®-TREP-FL    | 109 |

## Trapprofielen voor montage achteraf

|                        |     |
|------------------------|-----|
| Schlüter®-TREP-EK      | 111 |
| Schlüter®-TREP-EFK     | 111 |
| Schlüter®-TREP-GK/-GLK | 112 |

## Montagelijm

|                     |     |
|---------------------|-----|
| Schlüter®-KERDI-FIX | 112 |
|---------------------|-----|



# Schlüter®-TREP-V

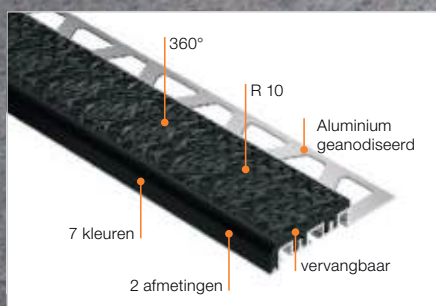
## Design en functie in harmonie

Schlüter-TREP-V combineert de nieuwste ontwikkelingen op het gebied van antislip met de aanbevelingen van de momenteel geldende voorschriften. TREP-V zorgt met antislip R 10 volgens DIN EN 16165 voor een veilig gebruik van trappen en kan worden toegepast in alle niet-vochtbelaste binnenruimten.

De kleuren van de gepatenteerde vervangbare loopvlakken zijn zodanig afgestemd, dat een optimaal contrasteffect met de gangbare tegelkleuren kan worden bereikt. In twee praktische afmetingen en met een breed, modern kleurenpalet kunt u met TREP-V aantrekkelijke en normconforme trappen realiseren.



TREP-V 42

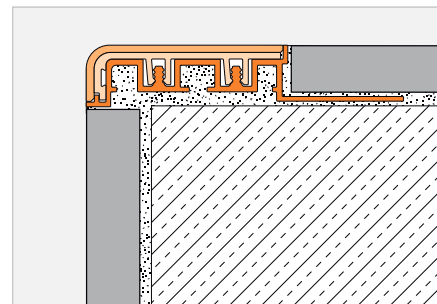


## Trapprofiel

## Schlüter®-TREP-V



Schlüter-TREP-V is een trapprofiel uit aluminium met een vervangbaar loopvlak van antislip kunststof. Het uitgebreide kleurenpalet van de loopvlakken kan zorgen voor het vereiste contrast met de aangrenzende vloerbekleding. Het profiel is naar keuze leverbaar met een smal (TREP-V 42) of een breed (TREP-V 60) loopvlak.  
(Productdatablad 3.6)



## Schlüter®-TREP-V 42

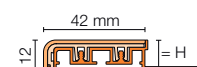
Draagprofiel (42 mm / 12 mm)  
alu. bruint mat geanodiseerd, R 10

| H (mm)     | L = 3,00 m<br>Art.-No. | € / m | KV (st.) |
|------------|------------------------|-------|----------|
| 9          | TVL 42 ...* 90/300     | 28,71 | 60       |
| 11         | TVL 42 ...* 110/300    | 29,75 | 60       |
| 12,5       | TVL 42 ...* 125/300    | 30,80 | 60       |
| L = 2,00 m |                        |       |          |
| 9          | TVL 42 ...* 90/200     | 28,71 | 60       |
| 11         | TVL 42 ...* 110/200    | 29,75 | 60       |
| 12,5       | TVL 42 ...* 125/200    | 30,80 | 60       |
| L = 1,50 m |                        |       |          |
| 9          | TVL 42 ...* 90/150     | 28,71 | 60       |
| 11         | TVL 42 ...* 110/150    | 29,75 | 60       |
| 12,5       | TVL 42 ...* 125/150    | 30,80 | 60       |
| L = 1,00 m |                        |       |          |
| 9          | TVL 42 ...* 90/100     | 28,71 | 60       |
| 11         | TVL 42 ...* 110/100    | 29,75 | 60       |
| 12,5       | TVL 42 ...* 125/100    | 30,80 | 60       |

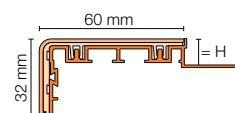
## Schlüter®-TREP-V 60

Draagprofiel (60 mm / 32 mm)  
alu. bruint mat geanodiseerd, R 10

| H (mm)     | L = 3,00 m<br>Art.-No. | € / m | KV (st.) |
|------------|------------------------|-------|----------|
| 9          | TVL 60 ...* 90/300     | 38,10 | 60       |
| 11         | TVL 60 ...* 110/300    | 39,67 | 60       |
| 12,5       | TVL 60 ...* 125/300    | 41,24 | 60       |
| L = 2,00 m |                        |       |          |
| 9          | TVL 60 ...* 90/200     | 38,10 | 60       |
| 11         | TVL 60 ...* 110/200    | 39,67 | 60       |
| 12,5       | TVL 60 ...* 125/200    | 41,24 | 60       |
| L = 1,50 m |                        |       |          |
| 9          | TVL 60 ...* 90/150     | 38,10 | 60       |
| 11         | TVL 60 ...* 110/150    | 39,67 | 60       |
| 12,5       | TVL 60 ...* 125/150    | 41,24 | 60       |
| L = 1,00 m |                        |       |          |
| 9          | TVL 60 ...* 90/100     | 38,10 | 60       |
| 11         | TVL 60 ...* 110/100    | 39,67 | 60       |
| 12,5       | TVL 60 ...* 125/100    | 41,24 | 60       |



Schlüter-TREP-V 42



Schlüter-TREP-V 60

**Opmerking:**

R 10 = Antislip classificatie volgens  
DIN EN 16165

## Eindkapje



## Toebehoren voor TREP-V



## Schlüter®-TREP-V 42/EK

Eindkapje links + rechts

| Art.-No.       | € / Set | P (set) |
|----------------|---------|---------|
| E / TV 42 ...* | 3,97    | 50      |

## Schlüter®-TREP-V 60/EK

Eindkapje links + rechts

| Art.-No.       | € / Set | P (set) |
|----------------|---------|---------|
| E / TV 60 ...* | 4,70    | 50      |

## Schlüter®-TREP-V 42/EL

Vervangstuk: inlage (42 mm / 12 mm), R 10

| L = 3,00 m<br>Art.-No. | € / m | P (st.) |
|------------------------|-------|---------|
| TVL 42 ...*/300        | 8,87  | 60      |
| L = 2,00 m             |       |         |
| TVL 42 ...*/200        | 8,87  | 60      |

## Schlüter®-TREP-V 60/EL

Vervangstuk: inlage (60 mm / 32 mm), R 10

| L = 3,00 m<br>Art.-No. | € / m | P (st.) |
|------------------------|-------|---------|
| TVL 60 ...*/300        | 12,53 | 60      |
| L = 2,00 m             |       |         |
| TVL 60 ...*/200        | 12,53 | 60      |



Art.-No. kleur toevoegen (bijv. TVL 60 GS/300)



\* Kleuren: FG - GS - HB - HG - NB - SG - SP

Een overzicht van de oppervlakken en kleuren vindt u vanaf pagina 342.

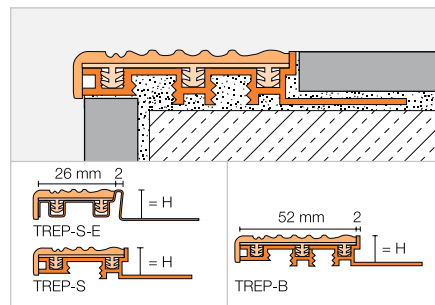


## Trapprofiel

### Schlüter®-TREP-S/-B



Schlüter-TREP-S/-B zijn aluminium of roestvaststalen trapprofielen met een ingeklemd, vervangbaar loopvlak van antislip kunststof. Ze zijn naar keuze leverbaar met een breed (TREP-B) of smal (TREP-S) loopvlak. (Productdatablad 3.2)



#### Schlüter®-TREP-B

Aluminium draagprofiel breed (52 mm), R 9

| H (mm)     | L = 2,50 m<br>Art.-No. | € / m | KV (st.) |
|------------|------------------------|-------|----------|
| 8          | ...* 8 B               | 28,91 | 60       |
| 10         | ...* 10 B              | 30,66 | 60       |
| 12,5       | ...* 12 B              | 32,02 | 60       |
| 15         | ...* 15 B              | 33,77 | 60       |
| 25         | ...* 25 B              | 34,58 | 60       |
| L = 1,50 m |                        |       |          |
| 8          | ...* 8 B/150           | 28,91 | 60       |
| 10         | ...* 10 B/150          | 30,66 | 60       |
| 12,5       | ...* 12 B/150          | 32,02 | 60       |
| 15         | ...* 15 B/150          | 33,77 | 60       |
| 25         | ...* 25 B/150          | 34,58 | 60       |
| L = 1,00 m |                        |       |          |
| 8          | ...* 8 B/100           | 29,84 | 60       |
| 10         | ...* 10 B/100          | 31,63 | 60       |
| 12,5       | ...* 12 B/100          | 33,04 | 60       |
| 15         | ...* 15 B/100          | 34,73 | 60       |
| 25         | ...* 25 B/100          | 35,52 | 60       |

#### Schlüter®-TREP-S

Aluminium draagprofiel smal (26 mm), R 9

| H (mm)     | L = 2,50 m<br>Art.-No. | € / m | KV (st.) |
|------------|------------------------|-------|----------|
| 8          | ...* 8 S               | 20,73 | 60       |
| 10         | ...* 10 S              | 21,32 | 60       |
| 12,5       | ...* 12 S              | 22,20 | 60       |
| L = 1,50 m |                        |       |          |
| 8          | ...* 8 S/150           | 20,73 | 60       |
| 10         | ...* 10 S/150          | 21,32 | 60       |
| 12,5       | ...* 12 S/150          | 22,20 | 60       |
| L = 1,00 m |                        |       |          |
| 8          | ...* 8 S/100           | 21,82 | 60       |
| 10         | ...* 10 S/100          | 22,32 | 60       |
| 12,5       | ...* 12 S/100          | 23,15 | 60       |

#### Toebehoren voor TREP-B

##### Schlüter®-TREP-B/EK

Eindkapje, breed (52 mm)

| Art.-No.    | € / St. | P (st.) |
|-------------|---------|---------|
| E 52 / ...* | 2,19    | 50      |

##### Schlüter®-TREP-B/EL

Vervangstuk: inlage breed (52 mm)

| L = 2,50 m<br>Art.-No. | € / m | KV (st.) |
|------------------------|-------|----------|
| PE 52 / ...*           | 8,02  | 60       |

#### Toebehoren voor TREP-S/-S-E

##### Schlüter®-TREP-S/EK

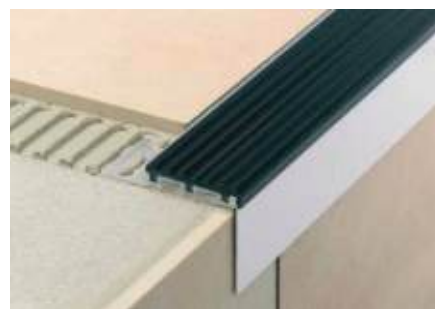
Eindkapje, smal (26 mm)

| Art.-No.    | € / St. | P (st.) |
|-------------|---------|---------|
| E 26 / ...* | 1,32    | 50      |

##### Schlüter®-TREP-S/EL

Vervangstuk: inlage smal (26 mm)

| L = 2,50 m<br>Art.-No. | € / m | KV (st.) |
|------------------------|-------|----------|
| PE 26 / ...*           | 6,79  | 60       |



Art.-No. kleur toevoegen (bijv. PE 26 / HB)



\* Kleuren: CG - G - GS - HB - NB

#### Schlüter®-TREP-S-E

Roestvast staal V2A draagprofiel smal (26 mm), R 9

| H (mm)     | L = 2,50 m<br>Art.-No. | € / m | KV (st.) |
|------------|------------------------|-------|----------|
| 8          | ...* 8 SE              | 29,03 | 60       |
| 10         | ...* 10 SE             | 29,92 | 60       |
| 12,5       | ...* 12 SE             | 30,79 | 60       |
| L = 1,50 m |                        |       |          |
| 8          | ...* 8 SE/150          | 29,03 | 60       |
| 10         | ...* 10 SE/150         | 29,92 | 60       |
| 12,5       | ...* 12 SE/150         | 30,79 | 60       |
| L = 1,00 m |                        |       |          |
| 8          | ...* 8 SE/100          | 30,09 | 60       |
| 10         | ...* 10 SE/100         | 30,88 | 60       |
| 12,5       | ...* 12 SE/100         | 31,90 | 60       |

#### Schlüter®-TREP-TAP

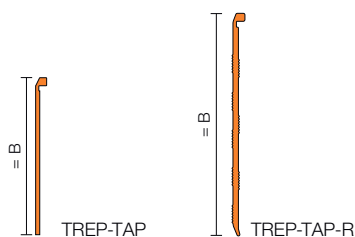
Afdeekprofiel

| B (mm)     | L = 2,50 m<br>Art.-No. | € / m | KV (st.) |
|------------|------------------------|-------|----------|
| 50         | TAP 50 AE              | 15,01 | 60       |
| L = 1,50 m |                        |       |          |
| 50         | TAP 50 AE/150          | 15,01 | 60       |
| L = 1,00 m |                        |       |          |
| 50         | TAP 50 AE/100          | 15,01 | 60       |

#### Schlüter®-TREP-TAP-R

Afdeekprofiel, geribbeld

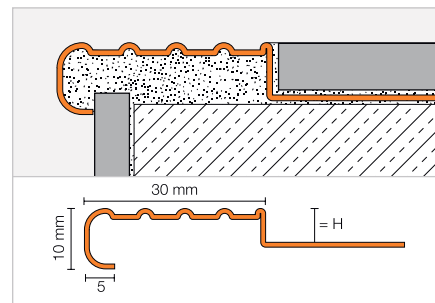
| B (mm)     | L = 2,50 m<br>Art.-No. | € / m | KV (st.) |
|------------|------------------------|-------|----------|
| 61         | TAP R61 AE             | 15,62 | 60       |
| L = 1,50 m |                        |       |          |
| 61         | TAP R61 AE/150         | 15,62 | 60       |



## Trapprofiel

**Schlüter®-TREP-E**


Schlüter-TREP-E is een roestvaststalen trapprofiel met een speciale antislip profilering. (Productdatablad 3.3)


**Schlüter®-TREP-E**

Roestvast staal V2A, R 10 V 6

| H (mm) | L = 2,50 m<br>Art.-No. | € / m | KV (st.) |
|--------|------------------------|-------|----------|
| 2      | TE 20                  | 18,93 | 60       |
| 3      | TE 30                  | 19,16 | 60       |
| 5      | TE 50                  | 19,55 | 60       |
| 8      | TE 80                  | 20,12 | 60       |
| 9      | TE 90                  | 20,32 | 60       |
| 10     | TE 100                 | 20,52 | 60       |
| 11     | TE 110                 | 20,75 | 60       |
| 13     | TE 130                 | 21,25 | 60       |
| 16     | TE 160                 | 21,77 | 60       |
| 22     | TE 220                 | 23,02 | 60       |
| 25     | TE 250                 | 23,61 | 60       |

**Schlüter®-TREP-E**

Roestvast staal V2A, R 10 V 6

| H (mm) | L = 1,50 m<br>Art.-No. | € / m | KV (st.) |
|--------|------------------------|-------|----------|
| 2      | TE 20/150              | 18,93 | 60       |
| 3      | TE 30/150              | 19,16 | 60       |
| 5      | TE 50/150              | 19,55 | 60       |
| 8      | TE 80/150              | 20,12 | 60       |
| 9      | TE 90/150              | 20,32 | 60       |
| 10     | TE 100/150             | 20,52 | 60       |
| 11     | TE 110/150             | 20,75 | 60       |
| 13     | TE 130/150             | 21,25 | 60       |
| 16     | TE 160/150             | 21,77 | 60       |
| 22     | TE 220/150             | 23,02 | 60       |
| 25     | TE 250/150             | 23,61 | 60       |

**Schlüter®-TREP-E**

Roestvast staal V2A, R 10 V 6

| H (mm) | L = 1,00 m<br>Art.-No. | € / m | KV (st.) |
|--------|------------------------|-------|----------|
| 2      | TE 20/100              | 19,94 | 60       |
| 3      | TE 30/100              | 20,12 | 60       |
| 5      | TE 50/100              | 20,51 | 60       |
| 8      | TE 80/100              | 21,11 | 60       |
| 9      | TE 90/100              | 21,34 | 60       |
| 10     | TE 100/100             | 21,54 | 60       |
| 11     | TE 110/100             | 21,77 | 60       |
| 13     | TE 130/100             | 22,22 | 60       |
| 16     | TE 160/100             | 22,83 | 60       |
| 22     | TE 220/100             | 24,04 | 60       |
| 25     | TE 250/100             | 24,62 | 60       |

**Schlüter®-TREP-E V4A**

Roestvast staal V4A, R 10 V 6

| H (mm) | L = 2,50 m<br>Art.-No. | € / m | KV (st.) |
|--------|------------------------|-------|----------|
| 8      | TE 80/V4A              | 22,14 | 60       |
| 11     | TE 110/V4A             | 22,80 | 60       |
| 13     | TE 130/V4A             | 23,38 | 60       |
| 16     | TE 160/V4A             | 23,90 | 60       |

**Schlüter®-TREP-E V4A**

Roestvast staal V4A, R 10 V 6

| H (mm) | L = 1,50 m<br>Art.-No. | € / m | KV (st.) |
|--------|------------------------|-------|----------|
| 8      | TE 80/150/V4A          | 22,14 | 60       |
| 11     | TE 110/150/V4A         | 22,80 | 60       |
| 13     | TE 130/150/V4A         | 23,38 | 60       |
| 16     | TE 160/150/V4A         | 23,90 | 60       |

**Schlüter®-TREP-E V4A**

Roestvast staal V4A, R 10 V 6

| H (mm) | L = 1,00 m<br>Art.-No. | € / m | KV (st.) |
|--------|------------------------|-------|----------|
| 8      | TE 80/100/V4A          | 23,24 | 60       |
| 11     | TE 110/100/V4A         | 23,90 | 60       |
| 13     | TE 130/100/V4A         | 24,34 | 60       |
| 16     | TE 160/100/V4A         | 25,13 | 60       |

## Eindkapje

**Schlüter®-TREP-E V4A/EK**

Eindkapje roestvast staal V4A

| Art.-No. | € / St. | P (st.) |
|----------|---------|---------|
| E / TE   | 2,67    | 50      |



TREP-E V4A/EK

Ook geschikt voor V2A profielen.

**Opmerking:**

R 10 V 6 = Antislip classificatie volgens DIN 51 130

Voor 3 m lengte Art.-No. "/300" aanvullen (bijv. TE 80/300).



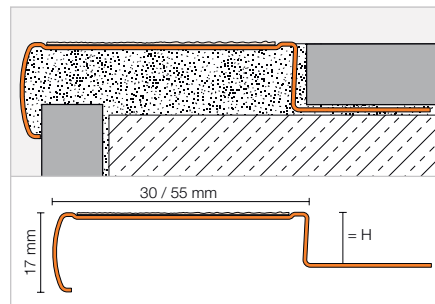
## Trapprofiel

### Schlüter®-TREP-G/-GL



Schlüter-TREP-G is een trapprofiel uit roestvast staal geborsteld met een ingelijmd, anti-slip loopvlak.

(Productdatablad 3.5)



#### Schlüter®-TREP-G-B

Roestvast staal V2A geborsteld, breed (55 mm), R 11

| H (mm)     | L = 2,50 m<br>Art.-No. | € / m | KV (st.) |
|------------|------------------------|-------|----------|
| 9          | GB EB 90 ...*          | 56,59 | 60       |
| 11         | GB EB 110 ...*         | 59,01 | 60       |
| 13         | GB EB 130 ...*         | 61,44 | 60       |
| 15         | GB EB 150 ...*         | 64,26 | 60       |
| L = 1,50 m |                        |       |          |
| 9          | GB EB 90 ...*/150      | 56,59 | 60       |
| 11         | GB EB 110 ...*/150     | 59,01 | 60       |
| 13         | GB EB 130 ...*/150     | 61,44 | 60       |
| 15         | GB EB 150 ...*/150     | 64,26 | 60       |
| L = 1,00 m |                        |       |          |
| 9          | GB EB 90 ...*/100      | 57,78 | 60       |
| 11         | GB EB 110 ...*/100     | 60,23 | 60       |
| 13         | GB EB 130 ...*/100     | 62,66 | 60       |
| 15         | GB EB 150 ...*/100     | 67,08 | 60       |

#### Schlüter®-TREP-G-S

Roestvast staal V2A geborsteld, smal (30 mm), R 11

| H (mm)     | L = 2,50 m<br>Art.-No. | € / m | KV (st.) |
|------------|------------------------|-------|----------|
| 9          | GS EB 90 ...*          | 45,26 | 60       |
| 11         | GS EB 110 ...*         | 47,69 | 60       |
| 13         | GS EB 130 ...*         | 50,51 | 60       |
| 15         | GS EB 150 ...*         | 52,53 | 60       |
| L = 1,50 m |                        |       |          |
| 9          | GS EB 90 ...*/150      | 45,26 | 60       |
| 11         | GS EB 110 ...*/150     | 47,69 | 60       |
| 13         | GS EB 130 ...*/150     | 50,51 | 60       |
| 15         | GS EB 150 ...*/150     | 52,53 | 60       |
| L = 1,00 m |                        |       |          |
| 9          | GS EB 90 ...*/100      | 46,46 | 60       |
| 11         | GS EB 110 ...*/100     | 48,92 | 60       |
| 13         | GS EB 130 ...*/100     | 51,73 | 60       |
| 15         | GS EB 150 ...*/100     | 53,75 | 60       |

#### Toebehoren voor TREP-G-B

##### Schlüter®-TREP-G-B/EK

Eindkapje, breed

| Art.-No. | € / St. | P (st.) |
|----------|---------|---------|
| E/GB EB  | 3,39    | 50      |

##### Schlüter®-TREP-G-B/KB

Vervangstuk: zelfklevende band, breed, R 11

| 44 mm x 18,3 m<br>Art.-No. | € / m | P (rol) |
|----------------------------|-------|---------|
| GB KB 183 ...*             | 10,60 | 60      |

##### Schlüter®-TREP-GL-B/KB

Vervangstuk: zelfklevende band, breed, R 10

| 44 mm x 6 m<br>Art.-No. | € / m | P (rol) |
|-------------------------|-------|---------|
| GLB KB 60 ...*          | 11,98 | 60      |

#### Schlüter®-TREP-GL-B

Roestvast staal V2A geborsteld, breed (55 mm), R 10

| H (mm)     | L = 2,50 m<br>Art.-No. | € / m | KV (st.) |
|------------|------------------------|-------|----------|
| 9          | GLB EB 90 ...*         | 56,59 | 60       |
| 11         | GLB EB 110 ...*        | 59,01 | 60       |
| 13         | GLB EB 130 ...*        | 61,44 | 60       |
| 15         | GLB EB 150 ...*        | 64,26 | 60       |
| L = 1,50 m |                        |       |          |
| 9          | GLB EB 90 ...*/150     | 56,59 | 60       |
| 11         | GLB EB 110 ...*/150    | 59,01 | 60       |
| 13         | GLB EB 130 ...*/150    | 61,44 | 60       |
| 15         | GLB EB 150 ...*/150    | 64,26 | 60       |
| L = 1,00 m |                        |       |          |
| 9          | GLB EB 90 ...*/100     | 57,78 | 60       |
| 11         | GLB EB 110 ...*/100    | 60,23 | 60       |
| 13         | GLB EB 130 ...*/100    | 62,66 | 60       |
| 15         | GLB EB 150 ...*/100    | 67,08 | 60       |

#### Schlüter®-TREP-GL-S

Roestvast staal V2A geborsteld, smal (30 mm), R 10

| H (mm)     | L = 2,50 m<br>Art.-No. | € / m | KV (st.) |
|------------|------------------------|-------|----------|
| 9          | GLS EB 90 ...*         | 45,26 | 60       |
| 11         | GLS EB 110 ...*        | 47,69 | 60       |
| 13         | GLS EB 130 ...*        | 50,51 | 60       |
| 15         | GLS EB 150 ...*        | 52,53 | 60       |
| L = 1,50 m |                        |       |          |
| 9          | GLS EB 90 ...*/150     | 45,26 | 60       |
| 11         | GLS EB 110 ...*/150    | 47,69 | 60       |
| 13         | GLS EB 130 ...*/150    | 50,51 | 60       |
| 15         | GLS EB 150 ...*/150    | 52,53 | 60       |
| L = 1,00 m |                        |       |          |
| 9          | GLS EB 90 ...*/100     | 46,46 | 60       |
| 11         | GLS EB 110 ...*/100    | 48,92 | 60       |
| 13         | GLS EB 130 ...*/100    | 51,73 | 60       |
| 15         | GLS EB 150 ...*/100    | 53,75 | 60       |

#### Toebehoren voor TREP-G-S

##### Schlüter®-TREP-G-S/EK

Eindkapje, smal

| Art.-No. | € / St. | P (st.) |
|----------|---------|---------|
| E/GS EB  | 2,99    | 50      |

##### Schlüter®-TREP-G-S/KB

Vervangstuk: zelfklevende band, smal, R 11

| 19 mm x 18,3 m<br>Art.-No. | € / m | P (rol) |
|----------------------------|-------|---------|
| GS KB 183 ...*             | 7,07  | 60      |

##### Schlüter®-TREP-GL-S/KB

Vervangstuk: zelfklevende band, smal, R 10

| 19 mm x 6 m<br>Art.-No. | € / m | P (rol) |
|-------------------------|-------|---------|
| GLS KB 60 ...*          | 8,33  | 60      |

#### Opmerking:

R 10 / R 11 = Antislip classificatie volgens DIN 51 130

Art.-No. kleur toevoegen (bijv. GLS KB 60 T)



\* Kleuren: GS - T



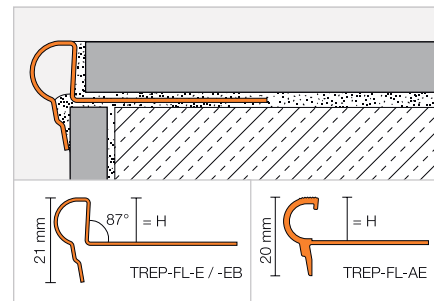
## Trapprofiel

## Schlüter®-TREP-FL



Schlüter-TREP-FL is een Florentin-vormig trapprofiel van aluminium met antislip profilering of van roestvast staal voor veilige en mooi gevormde trederanden. Het laat zich verwerken in trappen die met tegels of natuursteen worden bekleed.

(Productdatablad 3.4)



## Schlüter®-TREP-FL-AE

Alu. bruut mat geanodiseerd

| H (mm) | L = 2,50 m<br>Art.-No. | € / m | KV (st.) |
|--------|------------------------|-------|----------|
| 9      | FL 90 AE               | 17,25 | 60       |
| 11     | FL 110 AE              | 17,25 | 60       |
| 12,5   | FL 125 AE              | 17,25 | 60       |
|        | L = 1,50 m             |       |          |
| 9      | FL 90 AE/150           | 17,25 | 60       |
| 11     | FL 110 AE/150          | 17,25 | 60       |
| 12,5   | FL 125 AE/150          | 17,25 | 60       |
|        | L = 1,00 m             |       |          |
| 9      | FL 90 AE/100           | 18,08 | 60       |
| 11     | FL 110 AE/100          | 18,08 | 60       |
| 12,5   | FL 125 AE/100          | 18,08 | 60       |

## Schlüter®-TREP-FL-E

Roestvast staal V2A

| H (mm) | L = 2,50 m<br>Art.-No. | € / m | KV (st.) |
|--------|------------------------|-------|----------|
| 9      | FL 90 E                | 23,24 | 60       |
| 11     | FL 110 E               | 23,24 | 60       |
| 12,5   | FL 125 E               | 23,24 | 60       |
|        | L = 1,50 m             |       |          |
| 9      | FL 90 E/150            | 23,24 | 60       |
| 11     | FL 110 E/150           | 23,24 | 60       |
| 12,5   | FL 125 E/150           | 23,24 | 60       |
|        | L = 1,00 m             |       |          |
| 9      | FL 90 E/100            | 24,08 | 60       |
| 11     | FL 110 E/100           | 24,08 | 60       |
| 12,5   | FL 125 E/100           | 24,08 | 60       |

## Schlüter®-TREP-FL-EB

Roestvast staal V2A geborsteld

| H (mm) | L = 2,50 m<br>Art.-No. | € / m | KV (st.) |
|--------|------------------------|-------|----------|
| 9      | FL 90 EB               | 29,06 | 60       |
| 11     | FL 110 EB              | 29,06 | 60       |
| 12,5   | FL 125 EB              | 29,06 | 60       |
|        | L = 1,50 m             |       |          |
| 9      | FL 90 EB/150           | 29,06 | 60       |
| 11     | FL 110 EB/150          | 29,06 | 60       |
| 12,5   | FL 125 EB/150          | 29,06 | 60       |
|        | L = 1,00 m             |       |          |
| 9      | FL 90 EB/100           | 30,03 | 60       |
| 11     | FL 110 EB/100          | 30,03 | 60       |
| 12,5   | FL 125 EB/100          | 30,03 | 60       |

Voor 3 m lengte Art.-No. "/300" aanvullen (bijv. FL 90 AE/300).

## Eindkapje

## Schlüter®-TREP-FL-AE/EK

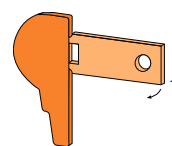
Eindkapje alu. bruut mat geanodiseerd

| Art.-No.  | € / St. | P (st.) |
|-----------|---------|---------|
| E / FL AE | 2,60    | 50      |

## Schlüter®-TREP-FL-EB/EK\*

Eindkapje roestvast staal V2A geborsteld

| Art.-No.  | € / St. | P (st.) |
|-----------|---------|---------|
| E / FL EB | 2,67    | 50      |



\* Voor Schlüter-TREP-FL-E en -EB geschikt.



# Schlüter®-TREP

Veiligheid kan ook achteraf worden gemonteerd

Bij nieuwe trappen wordt niet altijd meteen aan de inbouw van trapprofielen gedacht. Opdat u ook achteraf de veiligheid van uw trap zou kunnen verhogen, bieden wij ook Schlüter-TREP-profielen aan voor verlijming achteraf. Schlüter-KERDI-FIX is geschikt voor een duurzame hechting van de volgende profielen:

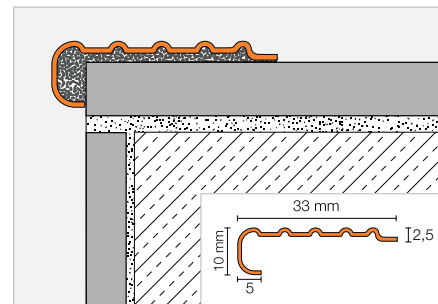
- ✓ Schlüter-TREP-EK met antislip profilering
- ✓ Schlüter-TREP-EFK voor de verlijming in uitfrezingen
- ✓ Schlüter-TREP-GK/-GLK met ingelijmd antislip loopvlak



## Trapprofiel

**Schlüter®-TREP-EK**


Schlüter-TREP-EK is een trapprofiel uit roestvast staal met een speciale antislip profilering voor veilige en mooi gevormde trederanden. Het kan achteraf worden gelijmd op met tegels of natuursteen bezette treden. (Productdatablad 3.3)


**Schlüter®-TREP-EK**

Roestvast staal V2A, R 10 V 6

| L = 2,50 m<br>Art.-No. | € / m | KV (st.) |
|------------------------|-------|----------|
| TEK                    | 18,11 | 60       |

**Schlüter®-TREP-EK**

Roestvast staal V2A, R 10 V 6

| L = 1,50 m<br>Art.-No. | € / m | KV (st.) |
|------------------------|-------|----------|
| TEK/150                | 18,11 | 60       |

**Schlüter®-TREP-EK**

Roestvast staal V2A, R 10 V 6

| L = 1,00 m<br>Art.-No. | € / m | KV (st.) |
|------------------------|-------|----------|
| TEK/100                | 19,07 | 60       |

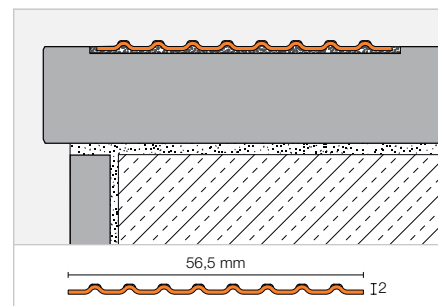
**Opmerking:**

R 10 V 6 = Antislip classificatie volgens DIN 51 130

## Trapprofiel

**Schlüter®-TREP-EFK**


Schlüter-TREP-EFK is een trapprofiel uit roestvast staal met een speciale antislip profilering voor veilige en mooi gevormde treden. Het product kan met montagelijm in de daarvoor voorziene uitfrezingen of achteraf op treden worden aangebracht. (Productdatablad 3.3)


**Schlüter®-TREP-EFK**

Roestvast staal V4A, R 10 V 6

| L = 2,50 m<br>Art.-No. | € / m | KV (st.) |
|------------------------|-------|----------|
| TEF 56K/V4A            | 25,18 | 60       |

**Opmerking:**

R 10 V 6 = Antislip classificatie volgens DIN 51 130

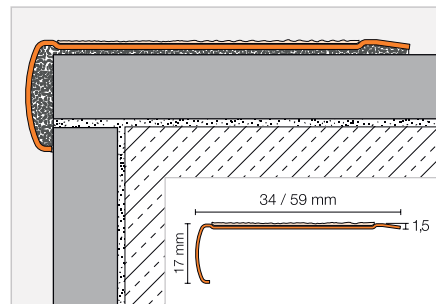


## Trapprofiel

### Schlüter®-TREP-GK-/GLK



Schlüter-TREP-GK is een trapprofiel uit roestvast staal geborsteld met een ingelijmd, anti-slip loopvlak. Het kan achteraf worden gelijmd op met tegels of natuursteen bezette treden. (Productdatablad 3.5)



#### Schlüter®-TREP-GK-B

Roestvast staal V2A geborsteld, breed (59 mm), R 11

| L = 2,50 m<br>Art.-No. | € / m | KV (st.) |
|------------------------|-------|----------|
| GB EBK ...*            | 48,50 | 60       |
| L = 1,50 m             |       |          |
| GB EBK ...*/150        | 48,50 | 60       |
| L = 1,00 m             |       |          |
| GB EBK ...*/100        | 49,71 | 60       |

#### Schlüter®-TREP-GK-S

Roestvast staal V2A geborsteld, smal (34 mm), R 11

| L = 2,50 m<br>Art.-No. | € / m | KV (st.) |
|------------------------|-------|----------|
| GS EBK ...*            | 39,61 | 60       |
| L = 1,50 m             |       |          |
| GS EBK ...*/150        | 39,61 | 60       |
| L = 1,00 m             |       |          |
| GS EBK ...*/100        | 40,81 | 60       |

#### Toebehoren voor TREP-GK-B

##### Schlüter®-TREP-G-B/KB

Vervangstuk: zelfklevende band, breed, R 11

| 44 mm x 18,3 m<br>Art.-No. | € / m | P (rol) |
|----------------------------|-------|---------|
| GB KB 183 ...*             | 10,60 | 60      |

##### Schlüter®-TREP-GL-B/KB

Vervangstuk: zelfklevende band, breed, R 10

| 44 mm x 6 m<br>Art.-No. | € / m | P (rol) |
|-------------------------|-------|---------|
| GLB KB 60 ...*          | 11,98 | 60      |

#### Schlüter®-TREP-GLK-B

Roestvast staal V2A geborsteld, breed (59 mm), R 10

| L = 2,50 m<br>Art.-No. | € / m | KV (st.) |
|------------------------|-------|----------|
| GLB EBK ...*           | 48,50 | 60       |
| L = 1,50 m             |       |          |
| GLB EBK ...*/150       | 48,50 | 60       |
| L = 1,00 m             |       |          |
| GLB EBK ...*/100       | 49,71 | 60       |

#### Schlüter®-TREP-GLK-S

Roestvast staal V2A geborsteld, smal (34 mm), R 10

| L = 2,50 m<br>Art.-No. | € / m | KV (st.) |
|------------------------|-------|----------|
| GLS EBK ...*           | 39,61 | 60       |
| L = 1,50 m             |       |          |
| GLS EBK ...*/150       | 39,61 | 60       |
| L = 1,00 m             |       |          |
| GLS EBK ...*/100       | 40,81 | 60       |

#### Toebehoren voor TREP-GK-S

##### Schlüter®-TREP-G-S/KB

Vervangstuk: zelfklevende band, smal, R 11

| 19 mm x 18,3 m<br>Art.-No. | € / m | P (rol) |
|----------------------------|-------|---------|
| GS KB 183 ...*             | 7,07  | 60      |

##### Schlüter®-TREP-GL-S/KB

Vervangstuk: zelfklevende band, smal, R 10

| 19 mm x 6 m<br>Art.-No. | € / m | P (rol) |
|-------------------------|-------|---------|
| GLS KB 60 ...*          | 8,33  | 60      |

#### Opmerking:

R 10 / R 11 = Antislip classificatie volgens DIN 51 130

Art.-No. kleur toevoegen (bijv. GLS KB 60 T)



\* Kleuren: GS - T

Een overzicht van de oppervlakken en kleuren vindt u vanaf pagina 342.

## Montagelijm

### Schlüter®-KERDI-FIX



Schlüter-KERDI-FIX is een elastische montagelijm op basis van een MS-polymeer. Het is geschikt om profielen en Schlüter-KERDI-BOARD te verlijmen, alsook de aansluitingen van de Schlüter-KERDI-afdichtingsbanden af te dichten. (Productdatablad 8.3)

#### Schlüter®-KERDI-FIX

MS-polymeer

| Inhoud (ml) | Art.-No.      | € / St. | P (st.) |
|-------------|---------------|---------|---------|
| 290         | KERDIFIX / BW | 24,29   | 12      |
| 290         | KERDIFIX / G  | 24,29   | 12      |

#### Kleuren:

BW = zuiver wit

G = grijs





# Schlüter-profielen

## Bewegings-, rand- en aansluitvoegen

Met de profielen van de Schlüter-DILEX-reeks stellen we onderhoudsvrije en functionele oplossingen voor alle relevante bewegingsvoegen in tegelbekledingen voor. Het leveringsprogramma omvat profielvarianten voor constructievoegen, veldbegrenzingsvoegen, rand- en aansluitvoegen. Alle profielen worden tijdens het plaatsen van de tegels ingewerkt. In functie van de latere mechanische of chemische belasting van de bekleding zijn onze DILEX-profielen verkrijgbaar in diverse materiaaluitvoeringen en zorgen zelfs voor vrijwel onzichtbare bewegingsvoegen.



## Bewegingsvoegprofielen

|                      |     |
|----------------------|-----|
| Schlüter®-DILEX-EDP  | 116 |
| Schlüter®-DILEX-KS   | 117 |
| Schlüter®-DILEX-EKSB | 118 |
| Schlüter®-DILEX-AKWS | 118 |
| Schlüter®-DILEX-BWB  | 119 |
| Schlüter®-DILEX-BWS  | 119 |
| Schlüter®-DILEX-F    | 121 |
| Schlüter®-DILEX-EMP  | 144 |

## Ontspannings- en sierprofielen

|                          |     |
|--------------------------|-----|
| Schlüter®-DILEX-EZ 6 + 9 | 122 |
|--------------------------|-----|

## Bouwscheidingsvoegprofielen

|                        |         |
|------------------------|---------|
| Schlüter®-DILEX-STF    | 122     |
| Schlüter®-DILEX-BT     | 123     |
| Schlüter®-DILEX-BTO    | 123     |
| Schlüter®-DILEX-BTS    | 124     |
| Schlüter®-DILEX-KSBT   | 124–125 |
| Schlüter®-DILEX-BT/MT  | 126     |
| Schlüter®-DILEX-BT/OT  | 126     |
| Schlüter®-RENO-VT      | 126     |
| Schlüter®-DILEX-BT/MTS | 126     |

## Aansluitprofielen

|                     |     |
|---------------------|-----|
| Schlüter®-DILEX-KSA | 128 |
| Schlüter®-DILEX-BWA | 129 |
| Schlüter®-DILEX-AS  | 129 |

## Hoekvoegprofielen

|                     |     |
|---------------------|-----|
| Schlüter®-DILEX-EF  | 130 |
| Schlüter®-DILEX-EKE | 130 |

## Randvoegprofielen

|                    |     |
|--------------------|-----|
| Schlüter®-DILEX-RF | 131 |
| Schlüter®-DILEX-EK | 132 |

## Holplintprofielen

|                        |         |
|------------------------|---------|
| Schlüter®-DILEX-HK     | 133     |
| Schlüter®-DILEX-HKW    | 134     |
| Schlüter®-ECK-KHK      | 135     |
| Schlüter®-DILEX-HKS    | 136     |
| Schlüter®-DILEX-EHK    | 137     |
| Schlüter®-DILEX-HKU    | 138–139 |
| Schlüter®-DILEX-AHK-TS | 140     |
| Schlüter®-DILEX-AHK    | 141–142 |
| Schlüter®-DILEX-AHKA   | 142–143 |

## Uitzettingsvoegprofielen

|                     |     |
|---------------------|-----|
| Schlüter®-DILEX-MP  | 144 |
| Schlüter®-DILEX-MOP | 145 |
| Schlüter®-DILEX-DFP | 145 |



# Schlüter<sup>®</sup>-DILEX

## Profielen voor bewegingsvoegen

Tegelbekledingen moeten volgens de regels van de techniek worden verdeeld in velden. Met Schlüter-DILEX-profielen is dit mogelijk:

- ✓ Duurzaam onderhoudsvrij
- ✓ Direct bij het leggen van de tegels
- ✓ Bestand tegen weers- en temperatuursinvloeden
- ✓ Voor binnen- en buitentoepassingen



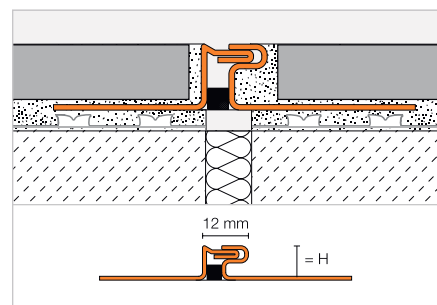
### Bewegingsvoegprofiel

#### Schlüter<sup>®</sup>-DILEX-EDP



Schlüter-DILEX-EDP is een roestvaststalen bewegingsvoegprofiel dat vanwege een groef-mesverbinding horizontale bewegingen kan opvangen.

(Productdatablad 4.16)



#### Schlüter<sup>®</sup>-DILEX-EDP

Roestvast staal V2A

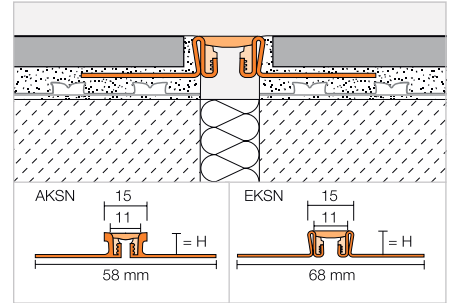
| H (mm) | L = 2,50 m<br>Art.-No. | € / m        | KV (st.) |
|--------|------------------------|--------------|----------|
| 10     | EDP 100                | <b>41,55</b> | 40       |
| 11     | EDP 110                | <b>41,97</b> | 40       |
| 12,5   | EDP 125                | <b>42,66</b> | 40       |
| 16     | EDP 160                | <b>44,23</b> | 40       |
| 21     | EDP 210                | <b>46,38</b> | 40       |

## Bewegingsvoegprofiel

## Schlüter®-DILEX-KS



Schlüter-DILEX-KS is een bewegingsvoegprofiel met een randbescherming. Het is opgebouwd uit zijdelingse bevestigingsvlakken in aluminium of roestvast staal, die met een verwisselbare bewegingszone van zachte kunststof zijn verbonden. (Productdatablad 4.8)



## Schlüter®-DILEX-AKSN

Aluminium

| H (mm) | L = 2,50 m<br>Art.-No. | € / m | KV (st.) |
|--------|------------------------|-------|----------|
| 8      | AKSN 80 ...*           | 21,62 | 40       |
| 10     | AKSN 100 ...*          | 22,32 | 40       |
| 11     | AKSN 110 ...*          | 22,68 | 40       |
| 12,5   | AKSN 125 ...*          | 23,07 | 40       |
| 14     | AKSN 140 ...*          | 24,12 | 40       |
| 16     | AKSN 160 ...*          | 25,86 | 40       |
| ★ 21   | AKSN 210 ...*          | 26,84 | 40       |

## Schlüter®-DILEX-EKSN

Roestvast staal V2A

| H (mm) | L = 2,50 m<br>Art.-No. | € / m | KV (st.) |
|--------|------------------------|-------|----------|
| 8      | EKSN 80 ...*           | 43,75 | 40       |
| 10     | EKSN 100 ...*          | 44,23 | 40       |
| 11     | EKSN 110 ...*          | 44,68 | 40       |
| 12,5   | EKSN 125 ...*          | 45,66 | 40       |
| 14     | EKSN 140 ...*          | 46,44 | 40       |
| 16     | EKSN 160 ...*          | 47,74 | 40       |
| 18,5   | EKSN 185 ...*          | 48,93 | 40       |
| 21     | EKSN 210 ...*          | 50,20 | 40       |
| 25     | EKSN 250 ...*          | 52,61 | 40       |
| 30     | EKSN 300 ...*          | 54,93 | 40       |

## Schlüter®-DILEX-EKSN V4A

Roestvast staal V4A

| H (mm) | L = 2,50 m<br>Art.-No. | € / m | KV (st.) |
|--------|------------------------|-------|----------|
| 8      | EKSN 80 ...* / V4A     | 48,10 | 40       |
| 10     | EKSN 100 ...* / V4A    | 48,70 | 40       |
| 11     | EKSN 110 ...* / V4A    | 49,30 | 40       |
| 12,5   | EKSN 125 ...* / V4A    | 50,20 | 40       |
| 14     | EKSN 140 ...* / V4A    | 51,09 | 40       |
| 16     | EKSN 160 ...* / V4A    | 52,49 | 40       |
| ★ 21   | EKSN 210 ...* / V4A    | 54,74 | 40       |



## Toebehoren

## Schlüter®-DILEX-KS/EL

Vervangstuk: inlage

| L = 2,50 m<br>Art.-No. | € / m | KV (st.) |
|------------------------|-------|----------|
| KSE / ...*             | 5,05  | 40       |



KS/EL

## Schlüter®-DILEX-KS/K

Kruisvormige inlage (150 x 150 mm)

| Art.-No.     | € / St. | P (st.) |
|--------------|---------|---------|
| KS EK / ...* | 22,72   | 50      |

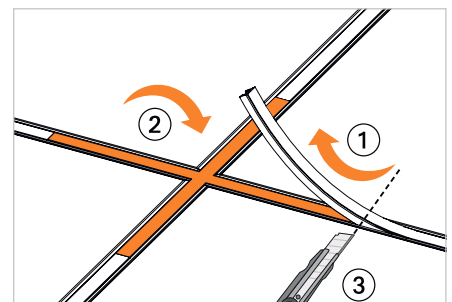
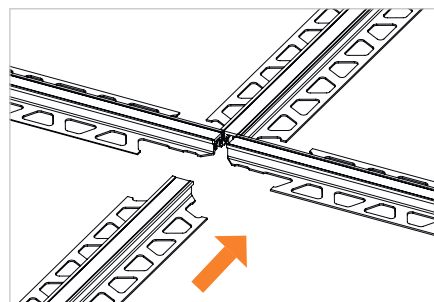
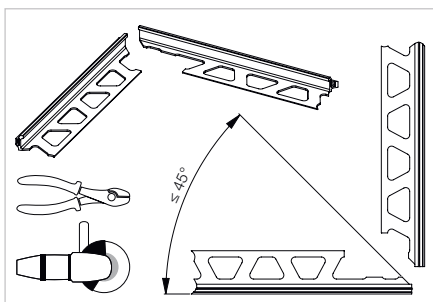


## Art.-No. kleur toevoegen (bijv. KS EK / PG)



\* Kleuren: C - DA - FG - G - GS - HB - PG - SG

Een overzicht van de oppervlakken en kleuren vindt u vanaf pagina 342.



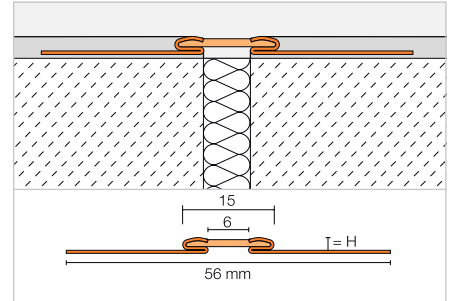


## Bewegingsvoegprofiel

### Schlüter®-DILEX-EKSB



Schlüter-DILEX-EKSB is een bewegingsvoegprofiel met randbescherming voor coatings en andere dunlagige vloerbekledingen. Het bestaat uit zijdelingse roestvaststalen bevestigingsvlakken die met elkaar zijn verbonden door middel van een niet-verwisselbare bewegingszone van zachte kunststof. (Productdatablad 4.8)



#### Schlüter®-DILEX-EKSB

Roestvast staal V2A

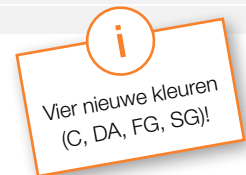
| H (mm) | L = 2,50 m<br>Art.-No. | € / m        | KV (st.) |
|--------|------------------------|--------------|----------|
| 2,5    | EKSB 25 ...*           | <b>33,51</b> | 40       |
| 4,5    | EKSB 45 ...*           | <b>35,06</b> | 40       |
| 6      | EKSB 60 ...*           | <b>36,49</b> | 40       |

Art.-No. kleur toevoegen (bijv. EKSB 25 PG)



\* Kleuren: C - DA - FG - G - GS - HB - PG - SG

Een overzicht van de oppervlakken en kleuren vindt u vanaf pagina 342.

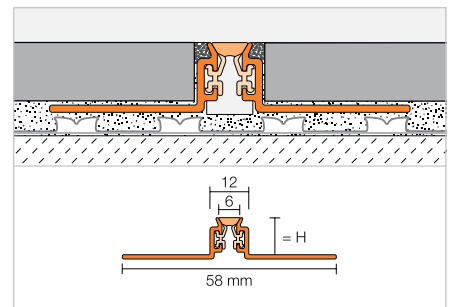


## Bewegingsvoegprofiel

### Schlüter®-DILEX-AKWS



Schlüter-DILEX-AKWS is een bewegingsvoegprofiel met zijdelingse bevestigingsvlakken in aluminium die met een bewegingszone van zachte kunststof verbonden zijn. (Productdatablad 4.18)



#### Schlüter®-DILEX-AKWS

Aluminium

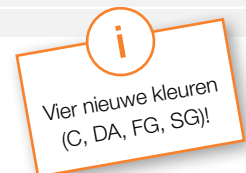
| H (mm) | L = 2,50 m<br>Art.-No. | € / m        | KV (st.) |
|--------|------------------------|--------------|----------|
| 10     | AKWS 100 ...*          | <b>21,18</b> | 60       |
| 11     | AKWS 110 ...*          | <b>21,39</b> | 60       |
| 12,5   | AKWS 125 ...*          | <b>21,82</b> | 60       |
| 14     | AKWS 140 ...*          | <b>22,20</b> | 60       |
| 16     | AKWS 160 ...*          | <b>22,47</b> | 60       |
| 21     | AKWS 210 ...*          | <b>23,27</b> | 60       |

Art.-No. kleur toevoegen (bijv. AKWS 100 PG)



\* Kleuren: C - DA - FG - G - GS - HB - PG - SG

Een overzicht van de oppervlakken en kleuren vindt u vanaf pagina 342.



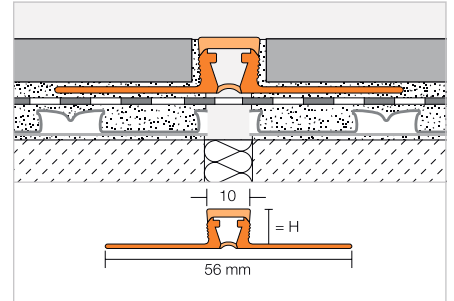
## Bewegingsvoegprofiel

## Schlüter®-DILEX-BWB



Schlüter-DILEX-BWB is een bewegingsvoegprofiel met zijken van hard-PVC-regeneraat. De bovenste bewegingszone bestaat uit zachte kunststof en vormt het 10 mm brede, zichtbare vlak.

(Productdatablad 4.6)



## Schlüter®-DILEX-BWB

PVC / CPE

| H (mm) | L = 2,50 m<br>Art.-No. | € / m | KV (st.) |
|--------|------------------------|-------|----------|
| 6      | BWB 60 ...*            | 7,56  | 60       |
| 8      | BWB 80 ...**           | 7,69  | 60       |
| 10     | BWB 100 ...**          | 7,86  | 60       |
| 12,5   | BWB 125 ...**          | 8,17  | 60       |
| 15     | BWB 150 ...***         | 9,37  | 60       |
| 20     | BWB 200 ...***         | 10,06 | 60       |

## Art.-No. kleur toevoegen (bijv. BWB 60 G)

BW C DA FG G GS HB PG SG SP

\* Kleuren: BW - C - DA - FG - G - GS - HB - PG - SG

\*\* Kleuren: BW - C - DA - FG - G - GS - HB - PG - SG - SP

\*\*\* Kleuren: C - DA - FG - G - GS - HB - PG - SG

Een overzicht van de oppervlakken en kleuren vindt u vanaf pagina 342.



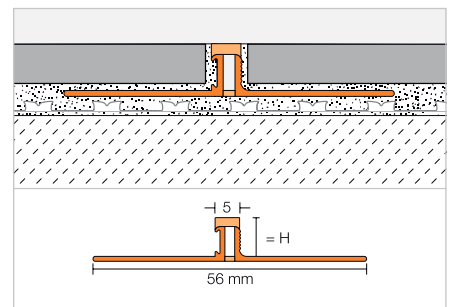
## Bewegingsvoegprofiel

## Schlüter®-DILEX-BWS



Schlüter-DILEX-BWS is een bewegingsvoegprofiel met zijken van hard-PVC-regeneraat. De bovenste bewegingszone bestaat uit zachte kunststof en vormt het 5 mm brede, zichtbare vlak.

(Productdatablad 4.7)



## Schlüter®-DILEX-BWS

PVC / CPE

| H (mm) | L = 2,50 m<br>Art.-No. | € / m | KV (st.) |
|--------|------------------------|-------|----------|
| 4,5    | BWS 45 ...*            | 6,97  | 120      |
| 6      | BWS 60 ...**           | 6,97  | 120      |
| 8      | BWS 80 ...*            | 6,97  | 120      |
| 9      | BWS 90 ...*            | 7,38  | 120      |
| 10     | BWS 100 ...*           | 7,38  | 120      |
| 11     | BWS 110 ...*           | 7,38  | 120      |
| 12,5   | BWS 125 ...*           | 7,38  | 120      |

## Art.-No. kleur toevoegen (bijv. BWS 45 HB)

BW C DA FG G GS HB PG SG SP

\* Kleuren: BW - C - DA - FG - G - GS - HB - PG - SG - SP

\*\* Kleuren: BW - C - DA - FG - G - GS - HB - PG - SG

Een overzicht van de oppervlakken en kleuren vindt u vanaf pagina 342.



# Schlüter®-DILEX-F

## Fijne bewegingsvoegen, met inlage op rol

Schlüter-DILEX-F is een vrijwel onzichtbare bewegingsvoeg voor projecten die door personenverkeer worden belast. Ondanks het zeer smalle profiel compenseert deze de gebruikelijke bewegingen van tegelbekledingen. Het systeem vormt een bewegingsvoeg die visueel nauwelijks te onderscheiden is van een cementaire voeg. Dat betekent dat technisch noodzakelijke voegen vanaf nu onopvallend kunnen worden aangebracht.

DILEX-F bestaat uit het profiel Schlüter-DILEX-FCS en de inlage Schlüter-DILEX-FIS die op rol verkrijgbaar is in tien verschillende kleuren. Naast de discrete look biedt het systeem nog meer voordelen: door het vuilafstotende oppervlak van de inlage kan de voeg zeer gemakkelijk worden gereinigd, de geïntegreerde nylondraad voorkomt toevallige lengteveranderingen van de inlage en met de meegeleverde montagehulp kan de inlage gemakkelijk en snel in het profiel worden aangebracht. Zo ontstaan zeer smalle bewegingsvoegen zonder zichtbare onderbrekingen.

- ✓ **Eerste bewegingsvoegprofiel zonder cementaire voegen**
- ✓ **Gelijkmatig en smal voegbeeld**
- ✓ **Doorlopende inlage (materiaal op rol)**
- ✓ **Platina uitgehakte siliconen inlage met vuilafstotende eigenschap**
- ✓ **Geen lengteverandering van de inlage dankzij de rekbescherming**
- ✓ **Voegprofiel met beschermstrip**
- ✓ **Toepassingen:**
  - woningen
  - kantoren
  - autoshowrooms
  - verkoopruimtes (zonder belasting van magazijnvoertuig of winkelwagen)

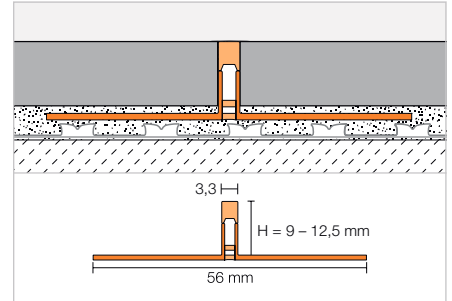


## Bewegingsvoegprofiel

## Schlüter®-DILEX-FCS



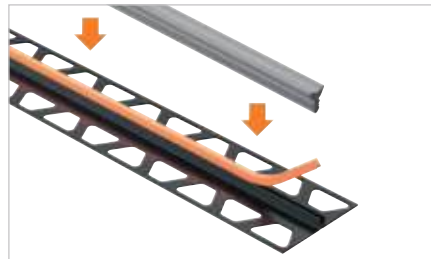
Schlüter-DILEX-FCS is een profiel dat bewegingen opvangt met zijdelen van hard-PVC-regeneraat en vormt een ca. 3,5 mm smalle bewegingsvoeg zonder randbescherming en zonder cementaire voeg. De geïntegreerde beschermstrip wordt na het plaatsen van de tegels verwijderd om de Schlüter-DILEX-FIS inlage aan te brengen. (Productdatablad 4.23)



## Schlüter®-DILEX-FCS

Opnameprofiel PVC/CPE

| H (mm) | L = 2,50 m<br>Art.-No. | € / m | KV (st.) |
|--------|------------------------|-------|----------|
| 9      | FCS 90                 | 4,84  | 120      |
| 10     | FCS 100                | 4,84  | 120      |
| 11     | FCS 110                | 4,84  | 120      |
| 12,5   | FCS 125                | 4,84  | 120      |

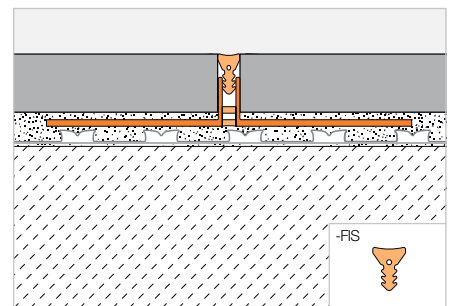


## Inlage

## Schlüter®-DILEX-FIS



Schlüter-DILEX-FIS is een inlage van platina uitgeharde silicone, op rol, voor smalle bewegingsvoegen met een zichtbaar vlak van ca. 3,5 mm. De inlage is in onderstaande gangbare voegkleuren verkrijgbaar. De inlage kan met de meegeleverde montagehulp gelijkmatig en snel in het geplaatste opnameprofiel Schlüter-DILEX-FCS worden gedrukt. Een toevallige lengteverandering wordt voorkomen door de geïntegreerde rekbescherming. (Productdatablad 4.23)



## Schlüter®-DILEX-FIS

Inlage

| L (m) | Art.-No.     | € / m | P (rol) |
|-------|--------------|-------|---------|
| 30    | FIS 300 ...* | 7,64  | 10      |

**Opmerking:**

Het montagehulpmiddel is bij de levering inbegrepen.

## Art.-No. kleur toevoegen (bijv. FIS 300 C)



\* Kleuren: BW - C - DA - FG - G - GS - HB - PG - SG - SP

Een overzicht van de oppervlakken en kleuren vindt u vanaf pagina 342.

**Opmerking:**

De handleiding voor Schlüter-DILEX-F vindt u bij het downloadgedeelte.

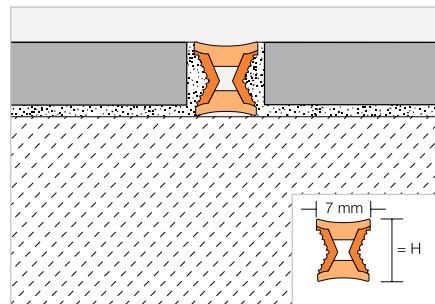


## Ontspannings- en sierprofiel

### Schlüter®-DILEX-EZ 6 + 9



Schlüter-DILEX-EZ 6 en 9 zijn speciale ontspannings- en sierprofielen voor de decoratieve vormgeving van voegen met een extra spanningsafbouwende functie in bekledingen van tegels en natuursteen welke verlijmd zijn. (Productdatablad 4.1)



#### Schlüter®-DILEX-EZ 6

PVC

| H (mm) | L = 2,50 m<br>Art.-No. | € / m       | KV (st.) |
|--------|------------------------|-------------|----------|
| 6      | EZ C/CG 6              | <b>5,25</b> | 120      |
| 6      | EZ M/G 6               | <b>5,25</b> | 120      |

#### Schlüter®-DILEX-EZ 9

PVC

| H (mm) | L = 2,50 m<br>Art.-No. | € / m       | KV (st.) |
|--------|------------------------|-------------|----------|
| 9      | EZ C/CG 9              | <b>5,75</b> | 120      |
| 9      | EZ M/G 9               | <b>5,75</b> | 120      |

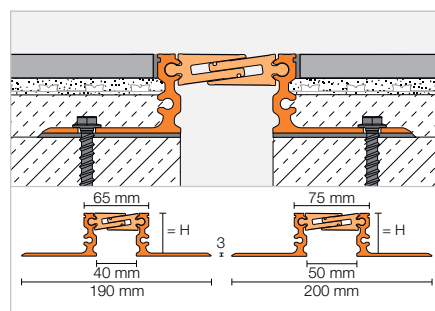
C/CG = Chroom inlage / geel  
M/G = Messing inlage / grijs

## Bouwscheidingsvoegprofiel

### Schlüter®-DILEX-STF



Schlüter-DILEX-STF is een bouwscheidingsvoegprofiel van aluminium, met een zijdelingse scharnierverbinding van het in elkaar verschuifbare middenstuk. Daardoor kan het driedimensionale bewegingen opvangen. Het profiel wordt mechanisch op de ondergrond bevestigd en is geschikt voor hoge belastingsvereisten. (Productdatablad 4.24)



#### Schlüter®-DILEX-STF-A



Aluminium

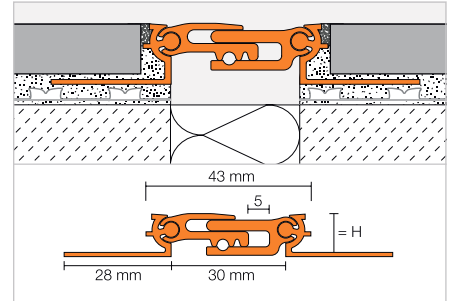
| H (mm) | B (mm) | L = 3,00 m<br>Art.-No. | € / m         | KV (st.) |
|--------|--------|------------------------|---------------|----------|
| 22     | 40     | ASTF 2240 / 300        | <b>154,45</b> | 40       |
| 22     | 50     | ASTF 2250 / 300        | <b>162,30</b> | 40       |
| 40     | 40     | ASTF 4040 / 300        | <b>176,61</b> | 40       |
| 40     | 50     | ASTF 4050 / 300        | <b>185,91</b> | 40       |
| 52     | 40     | ASTF 5240 / 300        | <b>183,39</b> | 40       |
| 52     | 50     | ASTF 5250 / 300        | <b>192,68</b> | 40       |

## Bouwscheidingsvoegprofiel

## Schlüter®-DILEX-BT



Schlüter-DILEX-BT is een bouwscheidingsvoegprofiel uit aluminium, met een zijdelingse scharnierverbinding van het in elkaar verschuifbare middenstuk. Hierdoor is een bewegingsopvang in drie richtingen mogelijk. (Productdatablad 4.20)



## Schlüter®-DILEX-BT-A

Aluminium

| H (mm) | L = 2,50 m<br>Art.-No. | € / m | KV (st.) |
|--------|------------------------|-------|----------|
| 8      | ABT 80                 | 41,90 | 40       |
| 10     | ABT 100                | 42,49 | 40       |
| ★ 11   | ABT 110                | 43,00 | 40       |
| 12,5   | ABT 125                | 43,51 | 40       |
| 15     | ABT 150                | 43,95 | 40       |
| 17,5   | ABT 175                | 44,59 | 40       |
| 20     | ABT 200                | 45,96 | 40       |

## Schlüter®-DILEX-BT-AE

Alu. bruut mat geanodiseerd

| H (mm) | L = 2,50 m<br>Art.-No. | € / m | KV (st.) |
|--------|------------------------|-------|----------|
| 8      | AEBT 80                | 58,94 | 40       |
| 10     | AEBT 100               | 59,93 | 40       |
| ★ 11   | AEBT 110               | 60,50 | 40       |
| 12,5   | AEBT 125               | 61,07 | 40       |
| 15     | AEBT 150               | 62,06 | 40       |
| 17,5   | AEBT 175               | 63,30 | 40       |
| 20     | AEBT 200               | 66,49 | 40       |

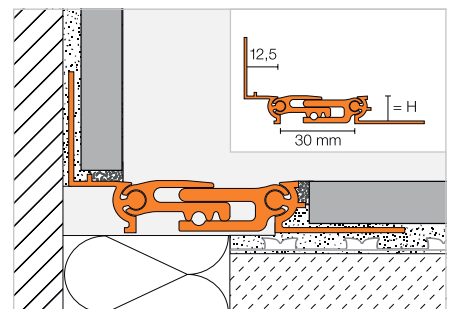


## Bouwscheidingsvoegprofiel

## Schlüter®-DILEX-BTO



Schlüter-DILEX-BTO is een bouwscheidingsvoegprofiel uit aluminium voor vloer/wandovergangen. Door de zijdelingse scharnierverbinding van het in elkaar verschuifbare middenstuk is een driedimensionale bewegingsopvang mogelijk. (Productdatablad 4.20)



## Schlüter®-DILEX-BTO-A

Aluminium

| H (mm) | L = 2,50 m<br>Art.-No. | € / m | KV (st.) |
|--------|------------------------|-------|----------|
| 8      | ABT 80/0 125           | 42,97 | 40       |
| 10     | ABT 100/0 125          | 43,29 | 40       |
| 12,5   | ABT 125/0 125          | 43,72 | 40       |
| 15     | ABT 150/0 125          | 43,95 | 40       |
| 17,5   | ABT 175/0 125          | 44,27 | 40       |
| 20     | ABT 200/0 125          | 45,01 | 40       |

## Schlüter®-DILEX-BTO-AE

Alu. bruut mat geanodiseerd

| H (mm) | L = 2,50 m<br>Art.-No. | € / m | KV (st.) |
|--------|------------------------|-------|----------|
| 8      | AEBT 80/0 125          | 60,84 | 40       |
| 10     | AEBT 100/0 125         | 61,27 | 40       |
| 12,5   | AEBT 125/0 125         | 61,87 | 40       |
| 15     | AEBT 150/0 125         | 62,34 | 40       |
| 17,5   | AEBT 175/0 125         | 63,01 | 40       |
| 20     | AEBT 200/0 125         | 64,60 | 40       |



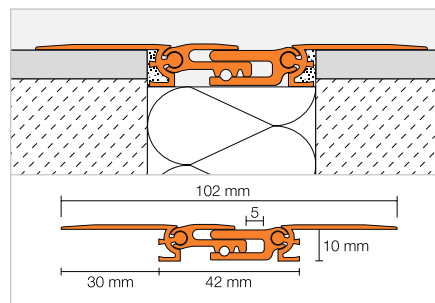
## Bouwscheidingsvoegprofiel

### Schlüter®-DILEX-BTS



Schlüter-DILEX-BTS is een bouwscheidingsvoegprofiel uit aluminium dat achteraf wordt ingebouwd in afgewerkte bekledingsoppervlakken. Door de zijdelingse scharnierverbinding van het in elkaar verschuifbare middenstuk is een driedimensionale bewegingsopvang mogelijk.

(Productdatablad 4.20)



#### Schlüter®-DILEX-BTS-A

Aluminium

| H (mm) | L = 2,50 m<br>Art.-No. | € / m        | KV (st.) |
|--------|------------------------|--------------|----------|
| 10     | ABTS 100               | <b>43,51</b> | 60       |

#### Schlüter®-DILEX-BTS-AE

Alu. bruto mat geanodiseerd

| H (mm) | L = 2,50 m<br>Art.-No. | € / m        | KV (st.) |
|--------|------------------------|--------------|----------|
| 10     | AEBTS 100              | <b>61,07</b> | 60       |

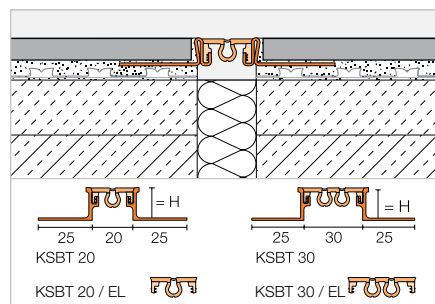
## Bouwscheidingsvoegprofiel

### Schlüter®-DILEX-KSBT



Schlüter-DILEX-KSBT is een bouwscheidingsvoegprofiel met randbescherming, bestaand uit bevestigingsvlakken in aluminium of roestvast staal, welke met een 20 of 30 mm brede bewegingszone van zachte kunststof verbonden zijn.

(Productdatablad 4.19)



#### Schlüter®-DILEX-AKSBT 20

Aluminium

| H (mm) | L = 2,50 m<br>Art.-No. | € / m        | KV (st.) |
|--------|------------------------|--------------|----------|
| 8      | AKS 80 BT 20 ...*      | <b>23,87</b> | 40       |
| 10     | AKS 100 BT 20 ...*     | <b>24,55</b> | 40       |
| 11     | AKS 110 BT 20 ...*     | <b>24,86</b> | 40       |
| 12,5   | AKS 125 BT 20 ...*     | <b>25,32</b> | 40       |
| 14     | AKS 140 BT 20 ...*     | <b>26,35</b> | 40       |

#### Schlüter®-DILEX-EKSBT 20

Roestvast staal V2A

| H (mm) | L = 2,50 m<br>Art.-No. | € / m        | KV (st.) |
|--------|------------------------|--------------|----------|
| 8      | KS V2A 80 BT 20 ...*   | <b>46,03</b> | 40       |
| 10     | KS V2A 100 BT 20 ...*  | <b>46,53</b> | 40       |
| 11     | KS V2A 110 BT 20 ...*  | <b>47,47</b> | 40       |
| 12,5   | KS V2A 125 BT 20 ...*  | <b>47,90</b> | 40       |
| 14     | KS V2A 140 BT 20 ...*  | <b>48,76</b> | 40       |
| 16     | KS V2A 160 BT 20 ...*  | <b>50,04</b> | 40       |
| 18,5   | KS V2A 185 BT 20 ...*  | <b>51,20</b> | 40       |
| 21     | KS V2A 210 BT 20 ...*  | <b>52,51</b> | 40       |
| 25     | KS V2A 250 BT 20 ...*  | <b>54,93</b> | 40       |
| 30     | KS V2A 300 BT 20 ...*  | <b>57,18</b> | 40       |

#### Schlüter®-DILEX-EKSBT 20 V4A

Roestvast staal V4A

| H (mm) | L = 2,50 m<br>Art.-No. | € / m        | KV (st.) |
|--------|------------------------|--------------|----------|
| 8      | KS V4A 80 BT 20 ...*   | <b>50,65</b> | 40       |
| 10     | KS V4A 100 BT 20 ...*  | <b>51,20</b> | 40       |
| 11     | KS V4A 110 BT 20 ...*  | <b>51,95</b> | 40       |
| 12,5   | KS V4A 125 BT 20 ...*  | <b>52,71</b> | 40       |
| 14     | KS V4A 140 BT 20 ...*  | <b>53,61</b> | 40       |
| 16     | KS V4A 160 BT 20 ...*  | <b>55,03</b> | 40       |

Art.-No. kleur toevoegen (bijv. KS V4A 80 BT 20 GS)



\* Kleuren: C - DA - FG - G - GS - HB - SG

Een overzicht van de oppervlakken en kleuren vindt u vanaf pagina 342.

**Schlüter®-DILEX-AKSBT 30**

Aluminium

| H (mm) | L = 2,50 m<br>Art.-No. | € / m        | KV (st.) |
|--------|------------------------|--------------|----------|
| 8      | AKS 80 BT 30 ...*      | <b>26,13</b> | 40       |
| 10     | AKS 100 BT 30 ...*     | <b>26,78</b> | 40       |
| 11     | AKS 110 BT 30 ...*     | <b>27,30</b> | 40       |
| 12,5   | AKS 125 BT 30 ...*     | <b>27,54</b> | 40       |
| 14     | AKS 140 BT 30 ...*     | <b>28,63</b> | 40       |

**Schlüter®-DILEX-EKSBT 30**

Roestvast staal V2A

| H (mm) | L = 2,50 m<br>Art.-No. | € / m        | KV (st.) |
|--------|------------------------|--------------|----------|
| 8      | KS V2A 80 BT 30 ...*   | <b>48,38</b> | 40       |
| 10     | KS V2A 100 BT 30 ...*  | <b>48,82</b> | 40       |
| 11     | KS V2A 110 BT 30 ...*  | <b>49,69</b> | 40       |
| 12,5   | KS V2A 125 BT 30 ...*  | <b>50,20</b> | 40       |
| 14     | KS V2A 140 BT 30 ...*  | <b>51,03</b> | 40       |
| 16     | KS V2A 160 BT 30 ...*  | <b>52,33</b> | 40       |
| 18,5   | KS V2A 185 BT 30 ...*  | <b>53,51</b> | 40       |
| 21     | KS V2A 210 BT 30 ...*  | <b>54,83</b> | 40       |
| 25     | KS V2A 250 BT 30 ...*  | <b>57,18</b> | 40       |
| 30     | KS V2A 300 BT 30 ...*  | <b>59,49</b> | 40       |

**Schlüter®-DILEX-EKSBT 30 V4A**

Roestvast staal V4A

| H (mm) | L = 2,50 m<br>Art.-No. | € / m        | KV (st.) |
|--------|------------------------|--------------|----------|
| 8      | KS V4A 80 BT 30 ...*   | <b>53,18</b> | 40       |
| 10     | KS V4A 100 BT 30 ...*  | <b>53,71</b> | 40       |
| 11     | KS V4A 110 BT 30 ...*  | <b>54,45</b> | 40       |
| 12,5   | KS V4A 125 BT 30 ...*  | <b>55,24</b> | 40       |
| 14     | KS V4A 140 BT 30 ...*  | <b>56,14</b> | 40       |
| 16     | KS V4A 160 BT 30 ...*  | <b>57,57</b> | 40       |

## Toebehoren voor KSBT 20

**Schlüter®-DILEX-KSBT 20/K**

Kruisvormige inlage (200 x 200 mm)

| Art.-No.        | € / St.      | P (st.) |
|-----------------|--------------|---------|
| KSG 20 K / ...* | <b>23,88</b> | 50      |

**Schlüter®-DILEX-KSBT 20/EL**

Vervangstuk: inlage

| L = 2,50 m<br>Art.-No. | € / m       | KV (st.) |
|------------------------|-------------|----------|
| KSG 20 ...*            | <b>8,27</b> | 40       |

## Toebehoren voor KSBT 30

**Schlüter®-DILEX-KSBT 30/K**

Kruisvormige inlage (200 x 200 mm)

| Art.-No.        | € / St.      | P (st.) |
|-----------------|--------------|---------|
| KSG 30 K / ...* | <b>24,54</b> | 50      |

**Schlüter®-DILEX-KSBT 30/VE**

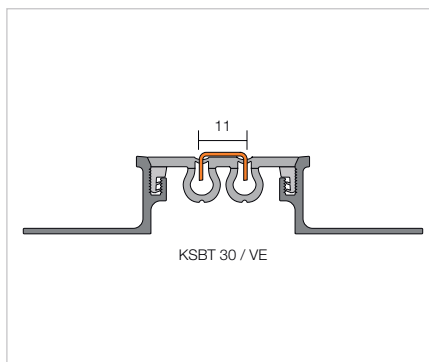
Inlegstuk: roestvast staal V2A geborsteld

| L = 2,50 m<br>Art.-No. | € / m        | KV (st.) |
|------------------------|--------------|----------|
| KSBT VE                | <b>19,70</b> | 40       |

**Schlüter®-DILEX-KSBT 30/EL**

Vervangstuk: inlage

| L = 2,50 m<br>Art.-No. | € / m       | KV (st.) |
|------------------------|-------------|----------|
| KSG 30 ...*            | <b>9,70</b> | 40       |



## Art.-No. kleur toevoegen (bijv. KSG 30 GS)



\* Kleuren: C - DA - FG - G - GS - HB - SG

Een overzicht van de oppervlakken en kleuren vindt u vanaf pagina 342.



## Bouwscheidingsvoegprofiel

### Schlüter®-DILEX-BT/MT

Schlüter-DILEX-BT/MT is het middelste deel van de bouwscheidingsvoeg en kan in elke afmeting vrij worden gecombineerd met Schlüter-DILEX-BT/OT en -RENO-VT.  
(Productdatablad 4.20)

#### Schlüter®-DILEX-BT-A/MT

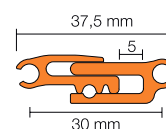
Middenstuk aluminium

| B (mm) | L = 2,50 m<br>Art.-No. | € / m        | KV (st.) |
|--------|------------------------|--------------|----------|
| 37,5   | ABT 30 MT              | <b>22,91</b> | 60       |

#### Schlüter®-DILEX-BT-AE/MT

Middenstuk alu. bruant mat geanodiseerd

| B (mm) | L = 2,50 m<br>Art.-No. | € / m        | KV (st.) |
|--------|------------------------|--------------|----------|
| 37,5   | AEBT 30 MT             | <b>33,66</b> | 60       |



### Schlüter®-DILEX-BT/OT

Schlüter-DILEX-BT/OT is het wand-draagprofiel van de bouwscheidingsvoegen en kan in elke afmeting vrij worden gecombineerd met Schlüter-DILEX-BT/MT en -RENO-VT.  
(Productdatablad 4.20)

#### Schlüter®-DILEX-BT-A/OT

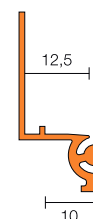
Wand-draagprofiel aluminium

| H (mm) | L = 2,50 m<br>Art.-No. | € / m       | KV (st.) |
|--------|------------------------|-------------|----------|
| 12,5   | ABTO 125               | <b>8,61</b> | 60       |

#### Schlüter®-DILEX-BT-AE/OT

Wand-draagprofiel alu. bruant mat geanodiseerd

| H (mm) | L = 2,50 m<br>Art.-No. | € / m        | KV (st.) |
|--------|------------------------|--------------|----------|
| 12,5   | AEBTO 125              | <b>11,93</b> | 60       |



### Schlüter®-RENO-VT

Schlüter-RENO-VT is het vloer-draagprofiel van de bouwscheidingsvoegen en kan vrij worden gecombineerd met Schlüter-DILEX-BT/MT en -BT/OT.  
(Productdatablad 1.7)

#### Schlüter®-RENO-AVT

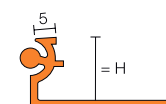
Vloer-draagprofiel aluminium

| H (mm) | L = 2,50 m<br>Art.-No. | € / m       | KV (st.) |
|--------|------------------------|-------------|----------|
| 8      | AVT 80                 | <b>7,76</b> | 60       |
| 10     | AVT 100                | <b>8,18</b> | 60       |
| 12,5   | AVT 125                | <b>8,61</b> | 60       |
| 15     | AVT 150                | <b>8,83</b> | 60       |
| 17,5   | AVT 175                | <b>9,22</b> | 60       |
| 20     | AVT 200                | <b>9,90</b> | 60       |

#### Schlüter®-RENO-AEVT

Vloer-draagprofiel alu. bruant mat geanodiseerd

| H (mm) | L = 2,50 m<br>Art.-No. | € / m        | KV (st.) |
|--------|------------------------|--------------|----------|
| 8      | A EVT 80               | <b>10,37</b> | 60       |
| 10     | A EVT 100              | <b>10,89</b> | 60       |
| 12,5   | A EVT 125              | <b>11,43</b> | 60       |
| 15     | A EVT 150              | <b>12,07</b> | 60       |
| 17,5   | A EVT 175              | <b>12,60</b> | 60       |
| 20     | A EVT 200              | <b>14,28</b> | 60       |



#### Opmerking:

Het profiel VT wordt ook bij de profielreeks Schlüter-RENO-V toegepast als variabel draagprofiel (zie pagina 47).

### Schlüter®-DILEX-BT/VTS

Schlüter-DILEX-BT/VTS is het renovatie-draagprofiel van de bouwscheidingsvoegen en kan worden gecombineerd met Schlüter-DILEX-BT/MT.  
(Productdatablad 4.20)

#### Schlüter®-DILEX-BT-A/VTS

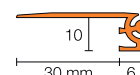
Renovatie-draagprofiel aluminium

| H (mm) | L = 2,50 m<br>Art.-No. | € / m       | KV (st.) |
|--------|------------------------|-------------|----------|
| 10     | AVTS 100               | <b>8,61</b> | 60       |

#### Schlüter®-DILEX-BT-AE/VTS

Renovatie-draagprofiel alu. bruant mat geanodiseerd

| H (mm) | L = 2,50 m<br>Art.-No. | € / m        | KV (st.) |
|--------|------------------------|--------------|----------|
| 10     | A EVTS 100             | <b>11,43</b> | 60       |



# Schlüter rand- en aansluitvoegen

## Een mooie oplossing

Het realiseren van propere randvoegen en aansluitvoegen is geen gemakkelijke opgave. Tenslotte moet spanning van de bekleding voorkomen worden en mogen er geen geluidsbruggen ontstaan. Om dit op te lossen, stelt Schlüter-Systems profielen ter beschikking:

- ✓ In verschillende materialen
- ✓ Met verschillende bewegingsopname
- ✓ Met verwisselbare bewegingszones
- ✓ Met en zonder holle plint
- ✓ Duurzaam en onderhoudsvrij



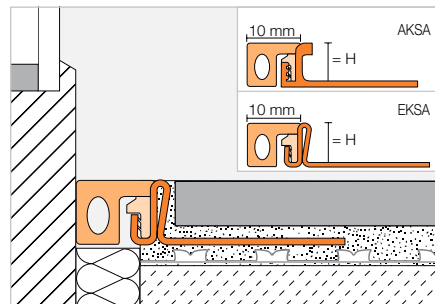


## Aansluitprofiel

### Schlüter®-DILEX-KSA



Schlüter-DILEX-KSA is een aansluitprofiel met randbescherming, bestaand uit een zijdelings bevestigingsvlak uit aluminium of roestvast staal, dat met een verwisselbare bewegingszone van zachte kunststof is verbonden. Het dient voor de aansluiting van tegelbekledingen op vaste bouwelementen zoals raamkozijnen. (Productdatablad 4.8)



#### Schlüter®-DILEX-AKSA

Aluminium

| H (mm) | L = 2,50 m<br>Art.-No. | € / m        | KV (st.) |
|--------|------------------------|--------------|----------|
| 8      | AKSA 80 ...*           | <b>12,93</b> | 40       |
| 10     | AKSA 100 ...*          | <b>13,39</b> | 40       |
| 11     | AKSA 110 ...*          | <b>13,61</b> | 40       |
| 12,5   | AKSA 125 ...*          | <b>13,86</b> | 40       |
| 14     | AKSA 140 ...*          | <b>14,51</b> | 40       |

#### Schlüter®-DILEX-EKSA

Roestvast staal V2A

| H (mm) | L = 2,50 m<br>Art.-No. | € / m        | KV (st.) |
|--------|------------------------|--------------|----------|
| 8      | EKSA 80 ...*           | <b>26,25</b> | 40       |
| 10     | EKSA 100 ...*          | <b>26,54</b> | 40       |
| 11     | EKSA 110 ...*          | <b>26,95</b> | 40       |
| 12,5   | EKSA 125 ...*          | <b>27,39</b> | 40       |
| 14     | EKSA 140 ...*          | <b>27,89</b> | 40       |
| 16     | EKSA 160 ...*          | <b>28,64</b> | 40       |
| 18,5   | EKSA 185 ...*          | <b>29,33</b> | 40       |
| 21     | EKSA 210 ...*          | <b>30,12</b> | 40       |
| 25     | EKSA 250 ...*          | <b>31,58</b> | 40       |
| 30     | EKSA 300 ...*          | <b>32,95</b> | 40       |

#### Schlüter®-DILEX-EKSA V4A

Roestvast staal V4A

| H (mm) | L = 2,50 m<br>Art.-No. | € / m        | KV (st.) |
|--------|------------------------|--------------|----------|
| 8      | EKSA 80 ...* / V4A     | <b>28,91</b> | 40       |
| 10     | EKSA 100 ...* / V4A    | <b>29,21</b> | 40       |
| 11     | EKSA 110 ...* / V4A    | <b>29,70</b> | 40       |
| 12,5   | EKSA 125 ...* / V4A    | <b>30,12</b> | 40       |
| 14     | EKSA 140 ...* / V4A    | <b>30,65</b> | 40       |
| 16     | EKSA 160 ...* / V4A    | <b>31,51</b> | 40       |

## Toebehoren

### Schlüter®-DILEX-KSA/EL

Vervangstuk: inlage

| L = 2,50 m<br>Art.-No. | € / m       | KV (st.) |
|------------------------|-------------|----------|
| KSAE / ...*            | <b>5,05</b> | 40       |



#### Art.-No. kleur toevoegen (bijv. KSAE / GS)



\* Kleuren: G - GS - HB - PG

Een overzicht van de oppervlakken en kleuren vindt u vanaf pagina 342.

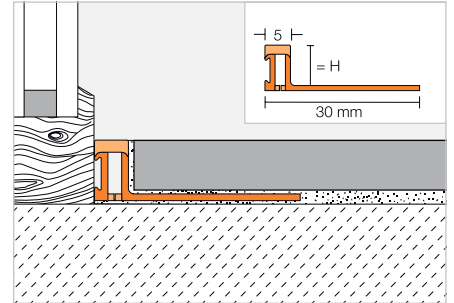
## Aansluitprofiel

## Schlüter®-DILEX-BWA



Schlüter-DILEX-BWA is een flexibel aansluitprofiel van kunststof voor aansluitvoegen van tegelbekledingen naar bestaande bekledingen of bouwelementen zoals deur- en raamkozijnen.

(Productdatablad 4.9)



## Schlüter®-DILEX-BWA

PVC / CPE

| H (mm) | L = 2,50 m<br>Art.-No. | € / m       | KV (st.) |
|--------|------------------------|-------------|----------|
| 4,5    | BWA 45 ...*            | <b>6,91</b> | 120      |
| 6      | BWA 60 ...*            | <b>6,97</b> | 120      |
| 8      | BWA 80 ...*            | <b>7,04</b> | 120      |
| 10     | BWA 100 ...*           | <b>7,22</b> | 120      |
| 12,5   | BWA 125 ...*           | <b>7,47</b> | 120      |

## Art.-No. kleur toevoegen (bijv. BWA 45 G)



\* Kleuren: BW - C - DA - FG - G - GS - HB - PG - SG

Een overzicht van de oppervlakken en kleuren vindt u vanaf pagina 342.

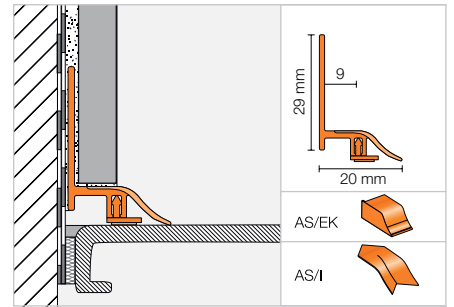
## Aansluitprofiel

## Schlüter®-DILEX-AS



Schlüter-DILEX-AS is een flexibel aansluitprofiel aan bouwelementen zoals douchebakken, deur- en raamkozijnen.

(Productdatablad 4.10)



## Schlüter®-DILEX-AS

PVC

| L = 2,50 m<br>Art.-No. | € / m        | KV (st.) |
|------------------------|--------------|----------|
| AS 20 BW               | <b>10,13</b> | 90       |

## Hoek | Eindkapje

## Schlüter®-DILEX-AS/I

Binnenhoek 90°

| Art.-No.     | € / St.     | P (st.) |
|--------------|-------------|---------|
| I / AS 20 BW | <b>1,54</b> | 10      |

## Schlüter®-DILEX-AS/EK

Eindkapje

| Art.-No.      | € / Set     | P (set) |
|---------------|-------------|---------|
| EK / AS 20 BW | <b>3,05</b> | 10      |

Set = 1 x links, 1 x rechts

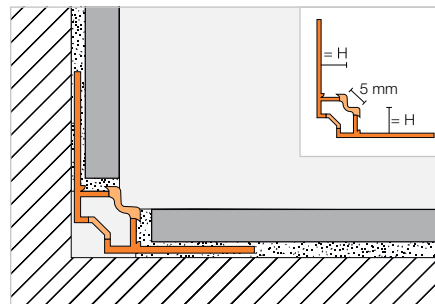


## Hoekvoegprofiel

### Schlüter®-DILEX-EF



Schlüter-DILEX-EF is een flexibel, eendelig hoekprofiel van gecombineerde harde en zachte kunststof voor verticale inwendige hoeken of voor wand-vloeraansluitingen. Het kan worden ingezet bij niet-zwevende vloeren. (Productdatablad 4.13)



#### Schlüter®-DILEX-EF

PVC / CPE

| H (mm) | L = 2,50 m<br>Art.-No. | € / m | KV (st.) |
|--------|------------------------|-------|----------|
| 8      | EF 80 ...*             | 7,54  | 60       |
| 10     | EF 100 ...*            | 7,54  | 60       |
| 12,5   | EF 125 ...*            | 7,54  | 60       |
| 15     | EF 150 ...*            | 7,54  | 60       |

#### Art.-No. kleur toevoegen (bijv. EF 80 G)

BW G HB PG SP

\* Kleuren: BW - G - HB - PG - SP

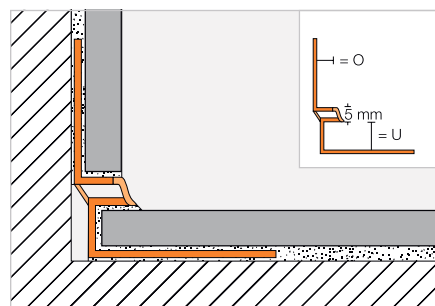
Een overzicht van de oppervlakken en kleuren vindt u vanaf pagina 342.

## Hoekvoegprofiel

### Schlüter®-DILEX-EKE



Schlüter-DILEX-EKE is een flexibel, eendelig hoekprofiel van gecombineerde harde en zachte kunststof voor verticale inwendige hoeken of voor wand-vloeraansluitingen. Het profiel beschikt over een geïntegreerde tegelruimte en kan worden ingezet bij niet-zwevende vloeren. (Productdatablad 4.13)



#### Schlüter®-DILEX-EKE

PVC / CPE, 0 = mm

| U (mm) | L = 2,50 m<br>Art.-No. | € / m | KV (st.) |
|--------|------------------------|-------|----------|
| 8      | EKE U 8 / 0 7 ...*     | 7,54  | 60       |
| 9      | EKE U 9 / 0 8 ...*     | 7,54  | 60       |
| 11     | EKE U 11 / 0 10 ...*   | 7,54  | 60       |
| 13     | EKE U 13 / 0 12 ...*   | 7,54  | 60       |
| 15     | EKE U 15 / 0 14 ...*   | 7,54  | 60       |

#### Art.-No. kleur toevoegen (bijv. EKE U 8 / 0 7 G)

BW G **GS** HB PG SP

\* Kleuren: BW - G - GS - HB - PG - SP

Een overzicht van de oppervlakken en kleuren vindt u vanaf pagina 342.

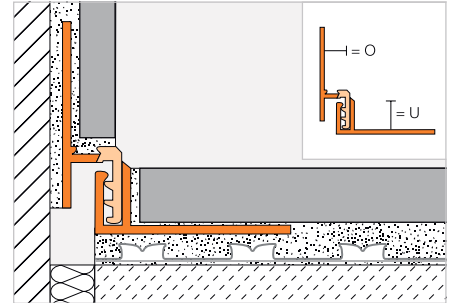
## Randvoegprofiel

## Schlüter®-DILEX-RF



Schlüter-DILEX-RF is een tweedelig profiel van gecombineerde harde en zachte kunststof, met een groef-mesverbinding voor duurzaam flexibele en onderhoudsvrije randvoegen zoals vloer-wandaansluitingen of plintaansluitingen.

(Productdatablad 4.14)



## Schlüter®-DILEX-RF

PVC / CPE, O = 8 mm

| U (mm) | L = 2,50 m<br>Art.-No. | € / m        | KV (st.) |
|--------|------------------------|--------------|----------|
| 10     | RF U 100 / O 80 ...*   | <b>12,93</b> | 60       |
| 12,5   | RF U 125 / O 80 ...*   | <b>12,93</b> | 60       |
| 15     | RF U 150 / O 80 ...*   | <b>12,93</b> | 60       |
| 18     | RF U 180 / O 80 ...*   | <b>12,93</b> | 60       |
| 22     | RF U 220 / O 80 ...*   | <b>12,93</b> | 60       |

## Schlüter®-DILEX-RF

PVC / CPE, O = 10 mm

| U (mm) | L = 2,50 m<br>Art.-No. | € / m        | KV (st.) |
|--------|------------------------|--------------|----------|
| 10     | RF U 100 / O 100 ...*  | <b>12,93</b> | 60       |
| 12,5   | RF U 125 / O 100 ...*  | <b>12,93</b> | 60       |
| 15     | RF U 150 / O 100 ...*  | <b>12,93</b> | 60       |
| 18     | RF U 180 / O 100 ...*  | <b>12,93</b> | 60       |
| 22     | RF U 220 / O 100 ...*  | <b>12,93</b> | 60       |

## Schlüter®-DILEX-RF

PVC / CPE, O = 12,5 mm

| U (mm) | L = 2,50 m<br>Art.-No. | € / m        | KV (st.) |
|--------|------------------------|--------------|----------|
| 10     | RF U 100 / O 125 ...*  | <b>12,93</b> | 60       |
| 12,5   | RF U 125 / O 125 ...*  | <b>12,93</b> | 60       |
| 15     | RF U 150 / O 125 ...*  | <b>12,93</b> | 60       |
| 18     | RF U 180 / O 125 ...*  | <b>12,93</b> | 60       |
| 22     | RF U 220 / O 125 ...*  | <b>12,93</b> | 60       |

## Schlüter®-DILEX-RF

PVC / CPE, O = 15 mm

| U (mm) | L = 2,50 m<br>Art.-No. | € / m        | KV (st.) |
|--------|------------------------|--------------|----------|
| 10     | RF U 100 / O 150 ...*  | <b>12,93</b> | 60       |
| 12,5   | RF U 125 / O 150 ...*  | <b>12,93</b> | 60       |
| 15     | RF U 150 / O 150 ...*  | <b>12,93</b> | 60       |
| 18     | RF U 180 / O 150 ...*  | <b>12,93</b> | 60       |
| 22     | RF U 220 / O 150 ...*  | <b>12,93</b> | 60       |

## Schlüter®-DILEX-RF

PVC / CPE, O = 18 mm

| U (mm) | L = 2,50 m<br>Art.-No. | € / m        | KV (st.) |
|--------|------------------------|--------------|----------|
| 10     | RF U 100 / O 180 ...*  | <b>12,93</b> | 60       |
| 12,5   | RF U 125 / O 180 ...*  | <b>12,93</b> | 60       |
| 15     | RF U 150 / O 180 ...*  | <b>12,93</b> | 60       |
| 18     | RF U 180 / O 180 ...*  | <b>12,93</b> | 60       |
| 22     | RF U 220 / O 180 ...*  | <b>12,93</b> | 60       |

## Art.-No. kleur toevoegen (bijv. RF U 100 / O 180 PG)



\* Kleuren: G - PG

Een overzicht van de oppervlakken en kleuren vindt u vanaf pagina 342.

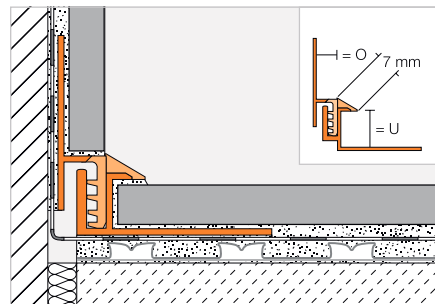


## Randvoegprofiel

### Schlüter®-DILEX-EK



Schlüter-DILEX-EK is een tweedelig profiel van gecombineerde harde en zachte kunststof, met een groef-mesverbinding en een geïntegreerde tegelruimte. Het dient voor de plaatsing van duurzaam flexibele en onderhoudsvrije randvoegen zoals vloer-wandaansluitingen of plintaansluitingen. (Productdatablad 4.14)



#### Schlüter®-DILEX-EK

PVC / CPE, O = 7 mm

| U (mm) | L = 2,50 m<br>Art.-No. | € / m        | KV (st.) |
|--------|------------------------|--------------|----------|
| 8      | EK U 8 / 0 7 ...*      | <b>12,93</b> | 60       |
| 11     | EK U 11 / 0 7 ...*     | <b>12,93</b> | 60       |
| 15     | EK U 15 / 0 7 ...**    | <b>12,93</b> | 60       |

#### Schlüter®-DILEX-EK

PVC / CPE, O = 10 mm

| U (mm) | L = 2,50 m<br>Art.-No. | € / m        | KV (st.) |
|--------|------------------------|--------------|----------|
| 8      | EK U 8 / 0 10 ...*     | <b>12,93</b> | 60       |
| 11     | EK U 11 / 0 10 ...*    | <b>12,93</b> | 60       |
| 15     | EK U 15 / 0 10 ...**   | <b>12,93</b> | 60       |

#### Schlüter®-DILEX-EK

PVC / CPE, O = 14 mm

| U (mm) | L = 2,50 m<br>Art.-No. | € / m        | KV (st.) |
|--------|------------------------|--------------|----------|
| 8      | EK U 8 / 0 14 G        | <b>12,93</b> | 60       |
| 11     | EK U 11 / 0 14 G       | <b>12,93</b> | 60       |
| 15     | EK U 15 / 0 14 G       | <b>12,93</b> | 60       |

#### Art.-No. kleur toevoegen (bijv. EK U 8 / 0 10 G)



\* Kleuren: BW - G - GS - HB - PG

\*\* Kleuren: G

Een overzicht van de oppervlakken en kleuren vindt u vanaf pagina 342.

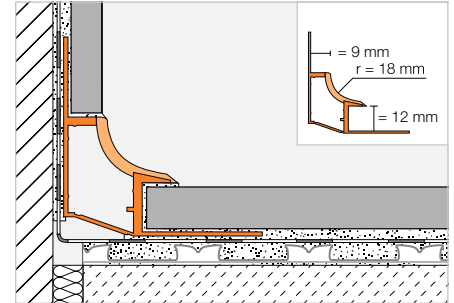
## Holplintprofiel

## Schlüter®-DILEX-HK



Schlüter-DILEX-HK is een holplintprofiel van hard-PVC-regeneraat met een holle plint van zachte kunststof en een geïntegreerde tegelruimte voor de wand-vloeraansluiting. Het profiel voldoet aan bijzondere vereisten betreffende hygiëne en reinigingsmogelijkheden in de levensmiddelenindustrie, grootkeukens en dergelijke.

(Productdatablad 4.11)



## Schlüter®-DILEX-HK

PVC / CPE, 0 = 9 mm

| L = 2,50 m<br>Art.-No. | € / m | KV (st.) |
|------------------------|-------|----------|
| HK U12 / 09 ...*       | 13,95 | 60       |

## Hoek | Eindkapje | Verbindingsstuk

## Schlüter®-DILEX-HK/E

Buitenhoek 90°

| Art.-No.      | € / St. | P (st.) |
|---------------|---------|---------|
| A / HK / ...* | 4,42    | 50      |

## Schlüter®-DILEX-HK/I

Binnenhoek 90°

| Overgangen | Art.-No.            | € / St. | P (st.) |
|------------|---------------------|---------|---------|
| 2          | I / HK 2 R18 / ...* | 4,42    | 50      |
| 3          | I / HK 3 R18 / ...* | 4,42    | 50      |



I2 = 2 overgangen



I3 = 3 overgangen

## Schlüter®-DILEX-HK/EK

Eindkapje

| Art.-No.    | € / St. | P (st.) |
|-------------|---------|---------|
| ER / HK / G | 3,31    | 50      |
| EL / HK / G | 3,31    | 50      |

## Schlüter®-DILEX-HK/V

Verbindingsstuk

| Art.-No. | € / St. | P (st.) |
|----------|---------|---------|
| V / HK   | 1,85    | 50      |

ER = rechts / EL = links



## Art.-No. kleur toevoegen (bijv. I / HK 2 R18 / HB)

BW G HB

\* Kleuren: BW - G - HB

Een overzicht van de oppervlakken en kleuren vindt u vanaf pagina 342.



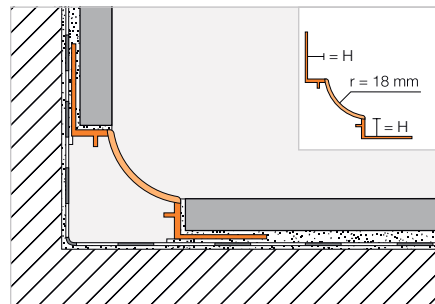
## Holplintprofiel

### Schlüter®-DILEX-HKW



Schlüter-DILEX-HKW is een holplintprofiel van harde kunststof voor verticale inwendige hoeken en voor wand-vloeraansluitingen wanneer slechts geringe bewegingen verwacht worden.

(Productdatablad 4.12)



### Schlüter®-DILEX-HKW

PVC

| H (mm) | L = 2,50 m<br>Art.-No. | € / m | KV (st.) |
|--------|------------------------|-------|----------|
| 7      | HKW U 7 / 0 7 ...*     | 9,72  | 60       |
| 9      | HKW U 9 / 0 9 ...*     | 9,72  | 60       |
| 11     | HKW U 11 / 0 11 ...*   | 9,72  | 60       |

## Hoek | Eindkapje

### Schlüter®-DILEX-HKW/E

Buitenhoek 90°

| Art.-No.       | € / St. | P (st.) |
|----------------|---------|---------|
| A / HKW / ...* | 4,42    | 50      |

### Schlüter®-DILEX-HKW/I

Binnenhoek 90°

| Overgangen | Art.-No.             | € / St. | P (st.) |
|------------|----------------------|---------|---------|
| 2          | I / HKW 2 R18 / ...* | 4,42    | 50      |
| 3          | I / HKW 3 R18 / ...* | 4,42    | 50      |



I2 = 2 overgangen

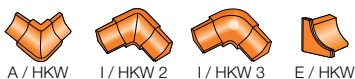


I3 = 3 overgangen

### Schlüter®-DILEX-HKW/EK

Eindkapje

| Art.-No.    | € / St. | P (st.) |
|-------------|---------|---------|
| E / HKW / G | 3,31    | 50      |



### Art.-No. kleur toevoegen (bijv. I / HKW 2 R18 / G)



\* Kleuren: BW - G - HB - PG

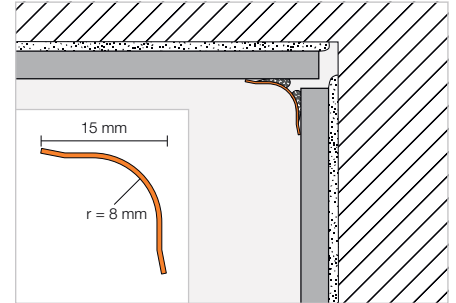
Een overzicht van de oppervlakken en kleuren vindt u vanaf pagina 342.

## Holplintprofiel

## Schlüter®-ECK-KHK



Schlüter-ECK-KHK is een als holle plint uit-gevoerd hoekprofiel uit roestvast staal om achteraf op inwendige hoeken van tegels of andere wandbekledingen te kleven.  
(Productdatablad 2.7)



## Schlüter®-ECK-KHK-E

Roestvast staal V2A

| B (mm) | L = 3,00 m<br>Art.-No. | € / m | KV (st.) |
|--------|------------------------|-------|----------|
| 15     | KHK15 E/300            | 25,73 | 60       |
|        | L = 2,50 m             |       |          |
| 15     | KHK15 E                | 25,73 | 60       |
|        | L = 2,00 m             |       |          |
| 15     | KHK15 E/200            | 25,73 | 60       |
|        | L = 1,50 m             |       |          |
| 15     | KHK15 E/150            | 25,73 | 60       |

## Schlüter®-ECK-KHK-EB

Roestvast staal V2A geborsteld

| B (mm) | L = 3,00 m<br>Art.-No. | € / m | KV (st.) |
|--------|------------------------|-------|----------|
| 15     | KHK15 EB/300           | 33,44 | 60       |
|        | L = 2,50 m             |       |          |
| 15     | KHK15 EB               | 33,44 | 60       |
|        | L = 2,00 m             |       |          |
| 15     | KHK15 EB/200           | 33,44 | 60       |
|        | L = 1,50 m             |       |          |
| 15     | KHK15 EB/150           | 33,44 | 60       |

## Hoek | Verbindingsstuk

## Schlüter®-ECK-KHK-E/E

Buitenhoek 90° roestvast staal V2A

| Art.-No.    | € / St. | P (st.) |
|-------------|---------|---------|
| E / KHK15 E | 8,52    | 50      |

## Schlüter®-ECK-KHK-EB/E

Buitenhoek 90° roestvast staal V2A geborsteld

| Art.-No.     | € / St. | P (st.) |
|--------------|---------|---------|
| E / KHK15 EB | 9,38    | 50      |

## Schlüter®-ECK-KHK-E/I

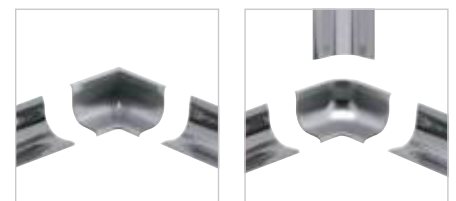
Binnenhoek 90° roestvast staal V2A

| Art.-No.    | € / St. | P (st.) |
|-------------|---------|---------|
| I/2 KHK15 E | 8,52    | 50      |
| I/3 KHK15 E | 8,52    | 50      |

## Schlüter®-ECK-KHK-EB/I

Binnenhoek 90° roestvast staal V2A geborsteld

| Art.-No.     | € / St. | P (st.) |
|--------------|---------|---------|
| I/2 KHK15 EB | 9,38    | 50      |
| I/3 KHK15 EB | 9,38    | 50      |



I2 = 2 overgangen

I3 = 3 overgangen

## Schlüter®-ECK-KHK-E/V

Verbindingsstuk roestvast staal V2A

| Art.-No.    | € / St. | P (st.) |
|-------------|---------|---------|
| V / KHK15 E | 8,52    | 50      |

## Schlüter®-ECK-KHK-EB/V

Verbindingsstuk roestvast staal V2A geborsteld

| Art.-No.     | € / St. | P (st.) |
|--------------|---------|---------|
| V / KHK15 EB | 9,38    | 50      |



E / KHK I/2 KHK I/3 KHK V / KHK

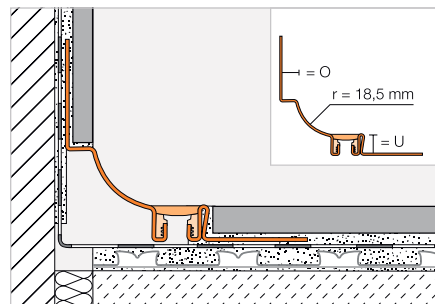


## Holplintprofiel

### Schlüter®-DILEX-HKS



Schlüter-DILEX-HKS is een combinatie van een roestvaststalen holplintprofiel en een flexibel bewegingsvoegprofiel voor de vloerwandaansluiting van betegelde oppervlakken. (Productdatablad 4.15)



#### Schlüter®-DILEX-HKS-E

Roestvast staal V2A, 0 = 7 mm

| U (mm) | L = 2,50 m Art.-No.     | € / m | KV (st.) |
|--------|-------------------------|-------|----------|
| 8      | HKS V2A U 8 / 0 7 ...*  | 54,12 | 40       |
| 10     | HKS V2A U 10 / 0 7 ...* | 54,72 | 40       |
| 14     | HKS V2A U 14 / 0 7 ...* | 55,70 | 40       |
| 16     | HKS V2A U 16 / 0 7 ...* | 56,11 | 40       |
| 18     | HKS V2A U 18 / 0 7 ...* | 56,63 | 40       |
| 21     | HKS V2A U 21 / 0 7 ...* | 57,18 | 40       |
| 25     | HKS V2A U 25 / 0 7 ...* | 58,21 | 40       |
| 30     | HKS V2A U 30 / 0 7 ...* | 58,92 | 40       |
| 12,5   | HKS V2A U 12 / 0 7 ...* | 55,43 | 40       |

#### Schlüter®-DILEX-HKS-E

Roestvast staal V2A, 0 = 9 mm

| U (mm) | L = 2,50 m Art.-No.     | € / m | KV (st.) |
|--------|-------------------------|-------|----------|
| 8      | HKS V2A U 8 / 0 9 ...*  | 54,12 | 40       |
| 10     | HKS V2A U 10 / 0 9 ...* | 54,72 | 40       |
| 14     | HKS V2A U 14 / 0 9 ...* | 55,70 | 40       |
| 16     | HKS V2A U 16 / 0 9 ...* | 56,11 | 40       |
| 18     | HKS V2A U 18 / 0 9 ...* | 56,63 | 40       |
| 21     | HKS V2A U 21 / 0 9 ...* | 57,18 | 40       |
| 25     | HKS V2A U 25 / 0 9 ...* | 58,21 | 40       |
| 30     | HKS V2A U 30 / 0 9 ...* | 58,92 | 40       |
| 12,5   | HKS V2A U 12 / 0 9 ...* | 55,43 | 40       |

#### Schlüter®-DILEX-HKS-E

Roestvast staal V2A, 0 = 11 mm

| U (mm) | L = 2,50 m Art.-No.      | € / m | KV (st.) |
|--------|--------------------------|-------|----------|
| 8      | HKS V2A U 8 / 0 11 ...*  | 54,12 | 40       |
| 10     | HKS V2A U 10 / 0 11 ...* | 54,72 | 40       |
| 14     | HKS V2A U 14 / 0 11 ...* | 55,70 | 40       |
| 16     | HKS V2A U 16 / 0 11 ...* | 56,11 | 40       |
| 18     | HKS V2A U 18 / 0 11 ...* | 56,63 | 40       |
| 21     | HKS V2A U 21 / 0 11 ...* | 57,18 | 40       |
| 25     | HKS V2A U 25 / 0 11 ...* | 58,21 | 40       |
| 30     | HKS V2A U 30 / 0 11 ...* | 58,92 | 40       |
| 12,5   | HKS V2A U 12 / 0 11 ...* | 55,43 | 40       |

#### Schlüter®-DILEX-HKS-E V4A

Roestvast staal V4A, 0 = 7 mm

| U (mm) | L = 2,50 m Art.-No.     | € / m | KV (st.) |
|--------|-------------------------|-------|----------|
| 8      | HKS V4A U 8 / 0 7 ...*  | 59,53 | 40       |
| 10     | HKS V4A U 10 / 0 7 ...* | 60,18 | 40       |
| 14     | HKS V4A U 14 / 0 7 ...* | 61,30 | 40       |
| 16     | HKS V4A U 16 / 0 7 ...* | 61,71 | 40       |
| 12,5   | HKS V4A U 12 / 0 7 ...* | 60,97 | 40       |

#### Schlüter®-DILEX-HKS-E V4A

Roestvast staal V4A, 0 = 9 mm

| U (mm) | L = 2,50 m Art.-No.     | € / m | KV (st.) |
|--------|-------------------------|-------|----------|
| 8      | HKS V4A U 8 / 0 9 ...*  | 59,53 | 40       |
| 10     | HKS V4A U 10 / 0 9 ...* | 60,18 | 40       |
| 14     | HKS V4A U 14 / 0 9 ...* | 61,30 | 40       |
| 16     | HKS V4A U 16 / 0 9 ...* | 61,71 | 40       |
| 12,5   | HKS V4A U 12 / 0 9 ...* | 60,97 | 40       |

#### Schlüter®-DILEX-HKS-E V4A

Roestvast staal V4A, 0 = 11 mm

| U (mm) | L = 2,50 m Art.-No.      | € / m | KV (st.) |
|--------|--------------------------|-------|----------|
| 8      | HKS V4A U 8 / 0 11 ...*  | 59,53 | 40       |
| 10     | HKS V4A U 10 / 0 11 ...* | 60,18 | 40       |
| 14     | HKS V4A U 14 / 0 11 ...* | 61,30 | 40       |
| 16     | HKS V4A U 16 / 0 11 ...* | 61,71 | 40       |
| 12,5   | HKS V4A U 12 / 0 11 ...* | 60,97 | 40       |

## Hoek

#### Schlüter®-DILEX-HKS-E/E 90°

Voorgesneden hoek 90° roestvast staal V2A

| Art.-No.      | € / Set | P (set) |
|---------------|---------|---------|
| E90 V2A ...** | 46,44   | 50      |

#### Schlüter®-DILEX-HKS-E V4A/E 90°

Voorgesneden hoek 90° roestvast staal V4A

| Art.-No.      | € / Set | P (set) |
|---------------|---------|---------|
| E90 V4A ...** | 46,44   | 50      |



### Opmerking:

Vormelementen (binnenhoeken, buitenhoeken en verbindingstukken) zie Schlüter-DILEX-EHK.

Art.-No. kleur toevoegen (bijv. E90 V4A U 10 / 0 11 HB)



\* Kleuren: G - GS - HB - PG

\*\* Art.-No. U ... / 0 ... en kleur toevoegen (bijv. E90 V2A U 10 / 0 11 G). Kleuren: G - GS - HB - PG

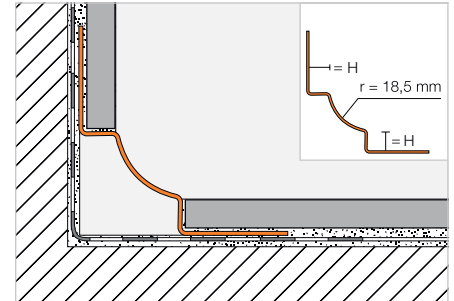
Een overzicht van de oppervlakken en kleuren vindt u vanaf pagina 342.

## Hollintprofiel

## Schlüter®-DILEX-EHK



Schlüter-DILEX-EHK is een volledig uit roestvast staal vervaardigd holpintprofiel voor hygiënische verticale inwendige hoeken en vloer-wandaansluitingen.  
(Productdatablad 4.15)



## Schlüter®-DILEX-EHK

Roestvast staal V2A

| H (mm) | L = 2,50 m<br>Art.-No. | € / m | KV (st.) |
|--------|------------------------|-------|----------|
| 7      | EHK U 7 / 0 7          | 30,79 | 40       |
| 9      | EHK U 9 / 0 9          | 31,70 | 40       |
| 11     | EHK U 11 / 0 11        | 32,64 | 40       |

## Schlüter®-DILEX-EBHK

Roestvast staal V2A geborsteld

| H (mm) | L = 2,50 m<br>Art.-No. | € / m | KV (st.) |
|--------|------------------------|-------|----------|
| 7      | EBHK U 7 / 0 7         | 40,04 | 40       |
| 9      | EBHK U 9 / 0 9         | 41,22 | 40       |
| 11     | EBHK U 11 / 0 11       | 42,48 | 40       |

## Schlüter®-DILEX-EHK V4A

Roestvast staal V4A

| H (mm) | L = 2,50 m<br>Art.-No. | € / m | KV (st.) |
|--------|------------------------|-------|----------|
| 7      | EHK U 7 / 0 7 / V4A    | 33,88 | 40       |
| 9      | EHK U 9 / 0 9 / V4A    | 34,85 | 40       |
| 11     | EHK U 11 / 0 11 / V4A  | 35,94 | 40       |
| 16     | EHK U 16 / 0 16 / V4A  | 38,21 | 40       |

## Hoek | Verbindingsstuk in roestvast staal V4A

## Schlüter®-DILEX-EHK/E

Buitenhoek 90° roestvast staal V4A

| Art.-No.      | € / St. | P (st.) |
|---------------|---------|---------|
| A / EHK 2 R18 | 8,72    | 50      |

## Schlüter®-DILEX-EHK/E 135°

Buitenhoek 135° roestvast staal V4A

| Art.-No.          | € / St. | P (st.) |
|-------------------|---------|---------|
| E 135 / EHK 2 R18 | 8,72    | 50      |

## Schlüter®-DILEX-EHK/V

Verbindingsstuk roestvast staal V4A

| Art.-No. | € / St. | P (st.) |
|----------|---------|---------|
| V / EHK  | 8,72    | 50      |

## Schlüter®-DILEX-EHK/I

Binnenhoek 90° roestvast staal V4A

| Art.-No.      | € / St. | P (st.) |
|---------------|---------|---------|
| I / EHK 2 R18 | 8,72    | 50      |
| I / EHK 3 R18 | 8,72    | 50      |

## Schlüter®-DILEX-EHK/I 135°

Binnenhoek 135° roestvast staal V4A

| Art.-No.          | € / St. | P (st.) |
|-------------------|---------|---------|
| I 135 / EHK 2 R18 | 8,72    | 50      |



I2 = 2 overgangen

I3 = 3 overgangen

## Hoek | Verbindingsstuk in geborsteld roestvast staal V2A

## Schlüter®-DILEX-EBHK/E

Buitenhoek 90° roestvast staal V2A geborsteld

| Art.-No.       | € / St. | P (st.) |
|----------------|---------|---------|
| A / EBHK 2 R18 | 11,34   | 50      |

## Schlüter®-DILEX-EBHK/E 135°

Buitenhoek 135° roestvast staal V2A geborsteld

| Art.-No.            | € / St. | P (st.) |
|---------------------|---------|---------|
| E 135 / EB HK 2 R18 | 11,34   | 50      |

## Schlüter®-DILEX-EBHK/V

Verbindingsstuk roestvast staal V2A geborsteld

| Art.-No. | € / St. | P (st.) |
|----------|---------|---------|
| V / EBHK | 11,34   | 50      |

## Schlüter®-DILEX-EBHK/I

Binnenhoek 90° roestvast staal V2A geborsteld

| Art.-No.       | € / St. | P (st.) |
|----------------|---------|---------|
| I / EBHK 2 R18 | 11,34   | 50      |
| I / EBHK 3 R18 | 11,34   | 50      |

## Schlüter®-DILEX-EBHK/I 135°

Binnenhoek 135° roestvast staal V2A geborsteld

| Art.-No.            | € / St. | P (st.) |
|---------------------|---------|---------|
| I 135 / EB HK 2 R18 | 11,34   | 50      |

**Opmerking:**

De toebehoren voor Schlüter-DILEX-EHK zijn van V4A en kunnen ook met V2A-profielen worden gecombineerd (geldt niet voor geborsteld roestvast staal = EBHK). Als eindkapjes adviseren wij Schlüter-DILEX-HKW/EK uit kunststof.



A / EHK E 135 / EHK I / EHK 2 I / EHK 3 I 135 / EHK V / EHK



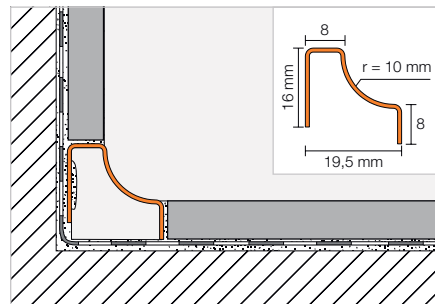
## Holplintprofiel

### Schlüter®-DILEX-HKU



Schlüter-DILEX-HKU is een volledig uit roestvast staal vervaardigd holplintprofiel voor hygiënische verticale inwendige hoeken en vloer-wandaansluitingen. Dankzij het binnenliggende bevestigingsvlak kan het profiel variabel voor verschillende bekledingsdikten worden gebruikt.

(Productdatablad 4.22)



#### Schlüter®-DILEX-HKU 10-E

Roestvast staal V2A

| L = 2,50 m<br>Art.-No. | € / m | KV (st.) |
|------------------------|-------|----------|
| HKUR 10 E              | 28,97 | 40       |

#### Schlüter®-DILEX-HKU 10-EB

Roestvast staal V2A geborsteld

| L = 2,50 m<br>Art.-No. | € / m | KV (st.) |
|------------------------|-------|----------|
| HKUR 10 EB             | 31,76 | 40       |

#### Schlüter®-DILEX-HKU 10-E V4A

Roestvast staal V4A

| L = 2,50 m<br>Art.-No. | € / m | KV (st.) |
|------------------------|-------|----------|
| HKUR 10 E / V4A        | 43,48 | 40       |

## Hoek | Eindkapje | Verbindingsstuk in roestvast staal V4A

#### Schlüter®-DILEX-HKU 10-E/EQ

Buitenhoek 90° roestvast staal V4A

| Art.-No.       | € / St. | P (st.) |
|----------------|---------|---------|
| EQ / HKUR 10 E | 8,52    | 50      |

#### Schlüter®-DILEX-HKU 10-E 135°

Buitenhoek 135° roestvast staal V4A

| Art.-No.         | € / St. | P (st.) |
|------------------|---------|---------|
| E135 / HKUR 10 E | 8,52    | 50      |

#### Opmerking:

De toebehoren voor Schlüter-DILEX-HKU 10 zijn van V4A en kunnen ook met V2A-profielen worden gecombineerd (geldt niet voor geborsteld roestvast staal = HKU-EB).

#### Schlüter®-DILEX-HKU 10-E/I

Binnenhoek 90° roestvast staal V4A

| Art.-No.          | € / St. | P (st.) |
|-------------------|---------|---------|
| I / HKUR 3 R 10 E | 8,52    | 50      |

#### Schlüter®-DILEX-HKU 10-E/I 135°

Binnenhoek 135° roestvast staal V4A

| Art.-No.         | € / St. | P (st.) |
|------------------|---------|---------|
| I135 / HKUR 10 E | 8,52    | 50      |

#### Schlüter®-DILEX-HKU 10-E/EK

Eindkapje roestvast staal V4A

| Art.-No.       | € / St. | P (st.) |
|----------------|---------|---------|
| EK / HKUR 10 E | 7,33    | 50      |

#### Schlüter®-DILEX-HKU 10-E/V

Verbindingsstuk roestvast staal V4A

| Art.-No.      | € / St. | P (st.) |
|---------------|---------|---------|
| V / HKUR 10 E | 8,52    | 50      |



## Hoek | Eindkapje | Verbindingsstuk in geborsteld roestvast staal V2A

### Schlüter®-DILEX-HKU 10-EB/EQ

Buitenhoek 90° roestvast staal V2A geborsteld

| Art.-No.        | € / St. | P (st.) |
|-----------------|---------|---------|
| EQ / HKUR 10 EB | 9,38    | 50      |

### Schlüter®-DILEX-HKU 10-EB 135°

Buitenhoek 135° roestvast staal V2A geborsteld

| Art.-No.          | € / St. | P (st.) |
|-------------------|---------|---------|
| E135 / HKUR 10 EB | 9,38    | 50      |

### Schlüter®-DILEX-HKU 10-EB/I

Binnenhoek 90° roestvast staal V2A geborsteld

| Art.-No.          | € / St. | P (st.) |
|-------------------|---------|---------|
| I / HKU 3 R 10 EB | 9,38    | 50      |

### Schlüter®-DILEX-HKU 10-EB/I 135°

Binnenhoek 135° roestvast staal V2A geborsteld

| Art.-No.          | € / St. | P (st.) |
|-------------------|---------|---------|
| I135 / HKUR 10 EB | 9,38    | 50      |



### Schlüter®-DILEX-HKU 10-EB/EK

Eindkapje roestvast staal V2A geborsteld

| Art.-No.        | € / St. | P (st.) |
|-----------------|---------|---------|
| EK / HKUR 10 EB | 8,67    | 50      |

### Schlüter®-DILEX-HKU 10-EB/V

Verbindingsstuk roestvast staal V2A geborsteld

| Art.-No.       | € / St. | P (st.) |
|----------------|---------|---------|
| V / HKUR 10 EB | 9,38    | 50      |

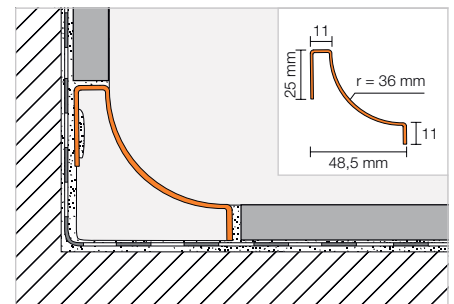


## Holplintprofiel

### Schlüter®-DILEX-HKU 36-E

Roestvast staal V2A

| L = 2,50 m<br>Art.-No. | € / m | KV (st.) |
|------------------------|-------|----------|
| HKUR 36 E              | 34,26 | 40       |



## Hoek | Eindkapje | Verbindingsstuk

### Schlüter®-DILEX-HKU 36-E/E

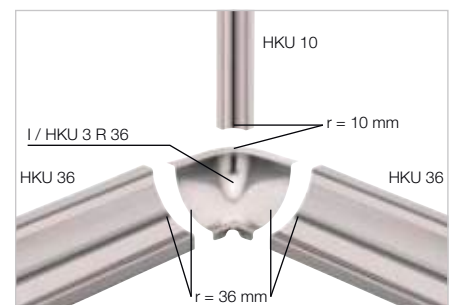
Buitenhoek 90° roestvast staal V2A

| Art.-No.      | € / St. | P (st.) |
|---------------|---------|---------|
| E / HKUR 36 E | 9,74    | 50      |

### Schlüter®-DILEX-HKU 36-E/I

Binnenhoek 90° roestvast staal V2A

| Art.-No.            | € / St. | P (st.) |
|---------------------|---------|---------|
| I / HKU 3 R 36 10 E | 9,74    | 50      |



### Schlüter®-DILEX-HKU 36-E/V

Verbindingsstuk roestvast staal V2A

| Art.-No.      | € / St. | P (st.) |
|---------------|---------|---------|
| V / HKUR 36 E | 9,74    | 50      |

### Schlüter®-DILEX-HKU 36/VI

Verbindingsstuk aan binnenkant

| Art.-No.     | € / St. | P (st.) |
|--------------|---------|---------|
| VI / HKUR 36 | 4,28    | 50      |

### Schlüter®-DILEX-HKU 36/EK

Eindkapje PVC

| Art.-No.       | € / St. | P (st.) |
|----------------|---------|---------|
| EK / HKUR 36 E | 4,28    | 50      |





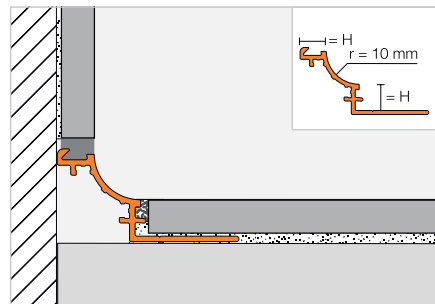
## Holplintprofiel

### Schlüter®-DILEX-AHK-TS



Schlüter-DILEX-AHK-TS is een aluminium holplintprofiel met de speciale TRENDLINE-structuur en textuur. Het is geschikt voor inwendige hoeken van wanden, keukenwerkbladen of plateaus die een keramische bekleding krijgen. Het profiel kan gecombineerd worden met de profielen Schlüter-RONDEC, -JOLLY, -SCHIENE of -QUADEC in de bijpassende structuurcoating.

(Productdatablad 4.21)



#### Schlüter®-DILEX-AHK-TSI

Alu. structuur-gecoat ivoor

| H (mm) | L = 2,50 m<br>Art.-No. | € / m | KV (st.) |
|--------|------------------------|-------|----------|
| 8      | AHK 1S 80 TSI          | 26,40 | 40       |
| 10     | AHK 1S 100 TSI         | 27,41 | 40       |
| 12,5   | AHK 1S 125 TSI         | 28,40 | 40       |

#### Schlüter®-DILEX-AHK-TSSG

Alu. structuur-gecoat steengrijs

| H (mm) | L = 2,50 m<br>Art.-No. | € / m | KV (st.) |
|--------|------------------------|-------|----------|
| 8      | AHK 1S 80 TSSG         | 26,40 | 40       |
| 10     | AHK 1S 100 TSSG        | 27,41 | 40       |
| 12,5   | AHK 1S 125 TSSG        | 28,40 | 40       |

#### Schlüter®-DILEX-AHK-TSDA

Alu. structuur-gecoat donker antraciet

| H (mm) | L = 2,50 m<br>Art.-No. | € / m | KV (st.) |
|--------|------------------------|-------|----------|
| 8      | AHK 1S 80 TSDA         | 26,40 | 40       |
| 10     | AHK 1S 100 TSDA        | 27,41 | 40       |
| 12,5   | AHK 1S 125 TSDA        | 28,40 | 40       |

## Hoek | Eindkapje | Verbindingsstuk

#### Schlüter®-DILEX-AHK-TS/E

Buitenhoek 90° (RONDEC-aansluiting)

| Art.-No.            | € / St. | P (st.) |
|---------------------|---------|---------|
| E90 / AHK 1S / ...* | 27,59   | 50      |

#### Schlüter®-DILEX-AHK-TS/E 90 Q

Buitenhoek 90° (QUADEC-aansluiting)

| Art.-No.              | € / St. | P (st.) |
|-----------------------|---------|---------|
| E90 Q / AHK 1S / ...* | 27,59   | 50      |

#### Schlüter®-DILEX-AHK-TS/E 135°

Buitenhoek 135°

| Art.-No.             | € / St. | P (st.) |
|----------------------|---------|---------|
| E135 / AHK 1S / ...* | 27,59   | 50      |

#### Schlüter®-DILEX-AHK-TS/I

Binnenhoek 90°

| Art.-No.            | € / St. | P (st.) |
|---------------------|---------|---------|
| I90 / AHK 1S / ...* | 27,59   | 50      |

#### Schlüter®-DILEX-AHK-TS/I 135°

Binnenhoek 135°

| Art.-No.             | € / St. | P (st.) |
|----------------------|---------|---------|
| I135 / AHK 1S / ...* | 27,59   | 50      |

#### Schlüter®-DILEX-AHK-TS/EK

Eindkapje

| Art.-No.          | € / St. | P (st.) |
|-------------------|---------|---------|
| E / AHK 1S / ...* | 17,71   | 50      |



#### Schlüter®-DILEX-AHK/V

Verbindingsstuk

| Art.-No. | € / St. | P (st.) |
|----------|---------|---------|
| V / AHK  | 4,28    | 50      |

Art.-No. aanvullen met oppervlak (bijv. E / AHK 1S / TSI)



\* Oppervlakken: TSDA - TSI - TSSG

Een overzicht van de oppervlakken en kleuren vindt u vanaf pagina 342.

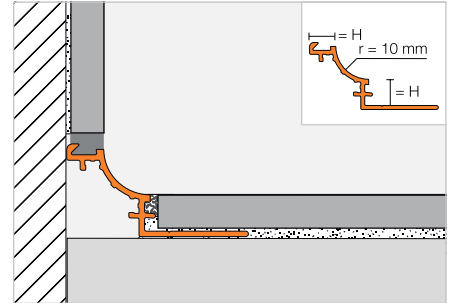
## Holplintprofiel



## Schlüter®-DILEX-AHK



Schlüter-DILEX-AHK is een aluminium holplintprofiel voor inwendige hoeken van wanden, keukenwerkbladen of plateaus, die een keramische bekleding krijgen. Het is verkrijgbaar in diverse geanodiseerde oppervlakken of in kleurgecoat aluminium. (Productdatablad 4.21)



## Schlüter®-DILEX-AHK-AE

Alu. bruut mat geanodiseerd

| H (mm) | L = 2,50 m<br>Art.-No. | € / m | KV (st.) |
|--------|------------------------|-------|----------|
| 8      | AHK 1S 80 AE           | 20,78 | 40       |
| 10     | AHK 1S 100 AE          | 21,58 | 40       |
| 12,5   | AHK 1S 125 AE          | 22,45 | 40       |

## Schlüter®-DILEX-AHK-ACG

Alu. chroom glanzend geanodiseerd

| H (mm) | L = 2,50 m<br>Art.-No. | € / m | KV (st.) |
|--------|------------------------|-------|----------|
| 8      | AHK 1S 80 ACG          | 39,61 | 40       |
| 10     | AHK 1S 100 ACG         | 40,93 | 40       |
| 12,5   | AHK 1S 125 ACG         | 41,90 | 40       |

## Schlüter®-DILEX-AHK-ACGB

Alu. chroom geborsteld geanodiseerd

| H (mm) | L = 2,50 m<br>Art.-No. | € / m | KV (st.) |
|--------|------------------------|-------|----------|
| 8      | AHK 1S 80 ACGB         | 30,57 | 40       |
| 10     | AHK 1S 100 ACGB        | 31,34 | 40       |
| 12,5   | AHK 1S 125 ACGB        | 32,33 | 40       |

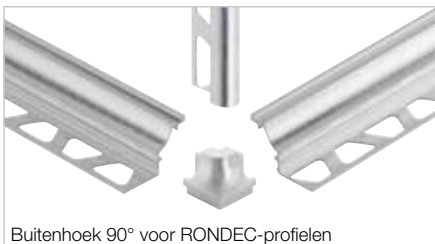
## Schlüter®-DILEX-AHK-AC

Alu. met kleurcoating

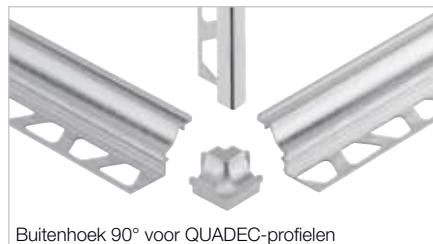
| H (mm) | L = 2,50 m<br>Art.-No. | € / m | KV (st.) |
|--------|------------------------|-------|----------|
| 8      | AHK 1S 80 ...*         | 20,36 | 40       |
| 10     | AHK 1S 100 ...*        | 21,40 | 40       |
| 12,5   | AHK 1S 125 ...*        | 22,45 | 40       |



## Hoek | Eindkapje | Verbindingsstuk



Buitenhoek 90° voor RONDEC-profielen



Buitenhoek 90° voor QUADDEC-profielen



E90 / AHK



E135 / AHK



E190 / AHK



I135 / AHK



ER / AHK



EL / AHK

## Schlüter®-DILEX-AHK/E

Buitenhoek 90° (RONDEC-aansluiting)

| Art.-No.             | € / St. | P (st.) |
|----------------------|---------|---------|
| E90 / AHK 1S / ...** | 27,59   | 50      |

## Schlüter®-DILEX-AHK/E 90 Q

Buitenhoek 90° (QUADDEC-aansluiting)

| Art.-No.               | € / St. | P (st.) |
|------------------------|---------|---------|
| E90 Q / AHK 1S / ...** | 27,59   | 50      |

## Schlüter®-DILEX-AHK/E 135°

Buitenhoek 135°

| Art.-No.              | € / St. | P (st.) |
|-----------------------|---------|---------|
| E135 / AHK 1S / ...** | 27,59   | 50      |

## Schlüter®-DILEX-AHK-AC/E

Buitenhoek 90° (RONDEC-aansluiting)

| Art.-No.            | € / St. | P (st.) |
|---------------------|---------|---------|
| E90 / AHK 1S / ...* | 27,58   | 50      |

## Schlüter®-DILEX-AHK-AC/E 90 Q

Buitenhoek 90° (QUADDEC-aansluiting)

| Art.-No.              | € / St. | P (st.) |
|-----------------------|---------|---------|
| E90 Q / AHK 1S / ...* | 27,58   | 50      |

## Schlüter®-DILEX-AHK-AC/E 135°

Buitenhoek 135°

| Art.-No.             | € / St. | P (st.) |
|----------------------|---------|---------|
| E135 / AHK 1S / ...* | 27,58   | 50      |

Art.-No. aanvullen met oppervlak/kleur (bijv. E135 / AHK 1S / BW)

\* Oppervlakken/kleuren: BW - MBW - MGS

\*\* Oppervlakken/kleuren: ACG - ACGB - AE

Een overzicht van de oppervlakken en kleuren vindt u vanaf pagina 342.



## Hoek | Eindkapje | Verbindingsstuk

### Schlüter®-DILEX-AHK/I

Binnenhoek 90°

| Art.-No.             | € / St.      | P (st.) |
|----------------------|--------------|---------|
| I90 / AHK 1S / ...** | <b>27,59</b> | 50      |

### Schlüter®-DILEX-AHK-AC/I

Binnenhoek 90°

| Art.-No.            | € / St.      | P (st.) |
|---------------------|--------------|---------|
| I90 / AHK 1S / ...* | <b>27,58</b> | 50      |

### Schlüter®-DILEX-AHK/V

Verbindingsstuk

| Art.-No. | € / St.     | P (st.) |
|----------|-------------|---------|
| V / AHK  | <b>4,28</b> | 50      |

### Schlüter®-DILEX-AHK/I 135°

Binnenhoek 135°

| Art.-No.              | € / St.      | P (st.) |
|-----------------------|--------------|---------|
| I135 / AHK 1S / ...** | <b>27,59</b> | 50      |

### Schlüter®-DILEX-AHK-AC/I 135°

Binnenhoek 135°

| Art.-No.             | € / St.      | P (st.) |
|----------------------|--------------|---------|
| I135 / AHK 1S / ...* | <b>27,58</b> | 50      |

### Schlüter®-DILEX-AHK/EK

Eindkapje

| Art.-No.           | € / St.      | P (st.) |
|--------------------|--------------|---------|
| E / AHK 1S / ...** | <b>17,71</b> | 50      |

### Schlüter®-DILEX-AHK-AC/EK

Eindkapje

| Art.-No.          | € / St.      | P (st.) |
|-------------------|--------------|---------|
| E / AHK 1S / ...* | <b>20,84</b> | 50      |



Art.-No. aanvullen met oppervlak/kleur (bijv. E / AHK 1S / BW)

BW MBW MGS

\* Oppervlakken/kleuren: BW - MBW - MGS

\*\* Oppervlakken/kleuren: ACG - ACGB - AE

Een overzicht van de oppervlakken en kleuren vindt u vanaf pagina 342.

## Holplintprofiel

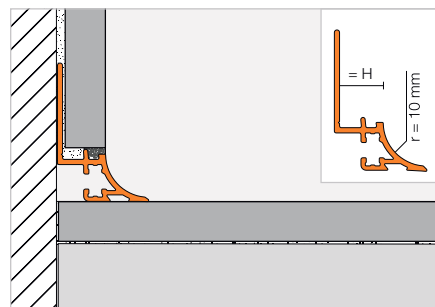


### Schlüter®-DILEX-AHKA



Schlüter-DILEX-AHKA is een aluminium holplintprofiel voor inwendige hoeken van wanden, keukenwerkbladen of plateaus, die een keramische bekleding krijgen. Het is verkrijgbaar in diverse geanodiseerde oppervlakken of in kleurgecoat aluminium en kan eenzijdig worden aangesloten op een bestaande bekleding.

(Productdatablad 4.21)



### Schlüter®-DILEX-AHKA-AE

Alu. bruut mat geanodiseerd

| H (mm) | L = 2,50 m Art.-No. | € / m        | KV (st.) |
|--------|---------------------|--------------|----------|
| 8      | AHKA 80 AE          | <b>20,78</b> | 40       |
| 10     | AHKA 100 AE         | <b>21,58</b> | 40       |
| 12,5   | AHKA 125 AE         | <b>22,45</b> | 40       |
| 15     | AHKA 150 AE         | <b>23,09</b> | 40       |

### Schlüter®-DILEX-AHKA-ACGB

Alu. chroom geborsteld geanodiseerd

| H (mm) | L = 2,50 m Art.-No. | € / m        | KV (st.) |
|--------|---------------------|--------------|----------|
| 8      | AHKA 80 ACGB        | <b>30,57</b> | 40       |
| 10     | AHKA 100 ACGB       | <b>31,34</b> | 40       |
| 12,5   | AHKA 125 ACGB       | <b>32,33</b> | 40       |
| 15     | AHKA 150 ACGB       | <b>33,34</b> | 40       |

### Schlüter®-DILEX-AHKA-AC

Alu. met kleurcoating

| H (mm) | L = 2,50 m Art.-No. | € / m        | KV (st.) |
|--------|---------------------|--------------|----------|
| 8      | AHKA 80 ...*        | <b>20,36</b> | 40       |
| 10     | AHKA 100 ...*       | <b>21,40</b> | 40       |
| 12,5   | AHKA 125 ...*       | <b>22,45</b> | 40       |
| 15     | AHKA 150 ...*       | <b>23,49</b> | 40       |



## Hoek | Eindkapje

**Schlüter®-DILEX-AHKA/E**

Buitenhoek 90°

| Art.-No.           | € / St. | P (st.) |
|--------------------|---------|---------|
| E90 / AHKA / ...** | 27,59   | 50      |

**Schlüter®-DILEX-AHKA-AC/E**

Buitenhoek 90°

| Art.-No.          | € / St. | P (st.) |
|-------------------|---------|---------|
| E90 / AHKA / ...* | 27,58   | 50      |

**Schlüter®-DILEX-AHKA/I**

Binnenhoek 90°

| Art.-No.           | € / St. | P (st.) |
|--------------------|---------|---------|
| I90 / AHKA / ...** | 27,59   | 50      |

**Schlüter®-DILEX-AHKA-AC/I**

Binnenhoek 90°

| Art.-No.          | € / St. | P (st.) |
|-------------------|---------|---------|
| I90 / AHKA / ...* | 27,58   | 50      |

**Schlüter®-DILEX-AHKA/EL**

Eindkapje, links

| Art.-No.          | € / St. | P (st.) |
|-------------------|---------|---------|
| EL / AHKA / ...** | 17,71   | 50      |

**Schlüter®-DILEX-AHKA-AC/EL**

Eindkapje, links

| Art.-No.         | € / St. | P (st.) |
|------------------|---------|---------|
| EL / AHKA / ...* | 20,84   | 50      |

**Schlüter®-DILEX-AHKA/E 135°**

Buitenhoek 135°

| Art.-No.            | € / St. | P (st.) |
|---------------------|---------|---------|
| E135 / AHKA / ...** | 27,59   | 50      |

**Schlüter®-DILEX-AHKA-AC/E 135°**

Buitenhoek 135°

| Art.-No.           | € / St. | P (st.) |
|--------------------|---------|---------|
| E135 / AHKA / ...* | 27,58   | 50      |

**Schlüter®-DILEX-AHKA/I 135°**

Binnenhoek 135°

| Art.-No.            | € / St. | P (st.) |
|---------------------|---------|---------|
| I135 / AHKA / ...** | 27,59   | 50      |

**Schlüter®-DILEX-AHKA-AC/I 135°**

Binnenhoek 135°

| Art.-No.           | € / St. | P (st.) |
|--------------------|---------|---------|
| I135 / AHKA / ...* | 27,58   | 50      |

**Schlüter®-DILEX-AHKA/ER**

Eindkapje, rechts

| Art.-No.          | € / St. | P (st.) |
|-------------------|---------|---------|
| ER / AHKA / ...** | 17,71   | 50      |

**Schlüter®-DILEX-AHKA-AC/ER**

Eindkapje, rechts

| Art.-No.         | € / St. | P (st.) |
|------------------|---------|---------|
| ER / AHKA / ...* | 20,84   | 50      |



E90 / AHKA E135 / AHKA I90 / AHKA I135 / AHKA ER / AHKA EL / AHKA

Art.-No. aanvullen met oppervlak/kleur (bijv. ER / AHKA / BW)

BW MBW MGS

\* Oppervlakken/kleuren: BW - MBW - MGS

\*\* Oppervlakken/kleuren: ACGB - AE

Een overzicht van de oppervlakken en kleuren vindt u vanaf pagina 342.



**MyDesign by Schlüter-Systems**  
Individuele print mogelijk.  
Meer info vanaf pagina 26.

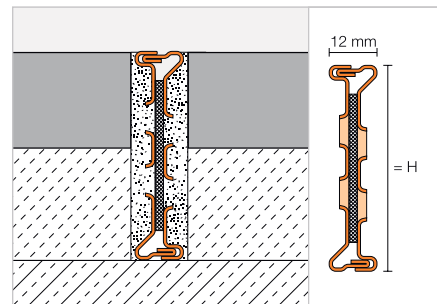


## Bewegingsvoegprofiel

### Schlüter®-DILEX-EMP



Schlüter-DILEX-EMP is een roestvaststalen bewegingsvoegprofiel voor in het mortelbed gelegde vloeren en kan door een groef-mes-verbinding horizontale bewegingen opvangen. (Productdatablad 4.17)



#### Schlüter®-DILEX-EMP

Roestvast staal V2A

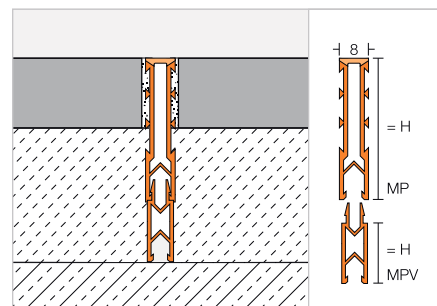
| H (mm) | L = 2,50 m<br>Art.-No. | € / m | KV (st.) |
|--------|------------------------|-------|----------|
| 35     | EMP 35                 | 39,23 | 60       |
| 50     | EMP 50                 | 44,65 | 60       |
| 65     | EMP 65                 | 50,11 | 60       |

## Uitzettingsvoegprofiel | Ophoogstuk

### Schlüter®-DILEX-MP



Schlüter-DILEX-MP is een uitzettingsvoegprofiel met ingesneden zijken van hard-PVC-regeneraat en een zijkant-overlappende bewegingszone van zachte CPE met ophoogprofielen voor de inbouw in mortelbed gelegde vloeren. (Productdatablad 4.3)



#### Schlüter®-DILEX-MP 35

PVC / CPE

| H (mm) | L = 2,50 m<br>Art.-No. | € / m | KV (st.) |
|--------|------------------------|-------|----------|
| 35     | MP 35 ...*             | 5,75  | 120      |

#### Schlüter®-DILEX-MP/V

Ophoogstuk

| H (mm) | L = 2,50 m<br>Art.-No. | € / m | KV (st.) |
|--------|------------------------|-------|----------|
| 15     | MPV 15                 | 3,33  | 120      |
| 25     | MPV 25                 | 3,51  | 120      |

#### Art.-No. kleur toevoegen (bijv. MP 35 GS)



\* Kleuren: G - GS - HB

Een overzicht van de oppervlakken en kleuren vindt u vanaf pagina 342.

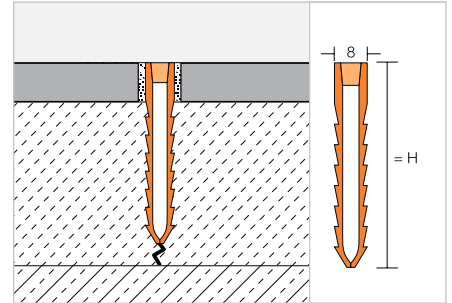
## Uitzettingsvoegprofiel

## Schlüter®-DILEX-MOP



Schlüter-DILEX-MOP is een uitzettingsvoegprofiel met stabiele, getande zijken van hard-PVC-regeneraat en een tussen de zijken liggende bewegingszone van zachte kunststof voor de inbouw in mortelbed gelegde vloeren.

(Productdatablad 4.4)



## Schlüter®-DILEX-MOP

PVC

| H (mm) | L = 2,50 m<br>Art.-No. | € / m | KV (st.) |
|--------|------------------------|-------|----------|
| 25     | MOP 25 ...*            | 4,12  | 120      |
| 35     | MOP 35 ...*            | 4,30  | 120      |
| 50     | MOP 50 ...*            | 5,53  | 120      |
| 65     | MOP 65 ...*            | 6,12  | 120      |

Art.-No. kleur toevoegen (bijv. MOP 25 DA)

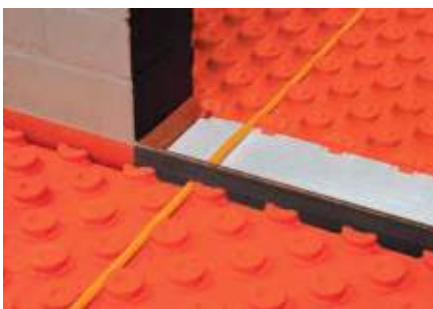


\* Kleuren: DA - G - GS

Een overzicht van de oppervlakken en kleuren vindt u vanaf pagina 342.

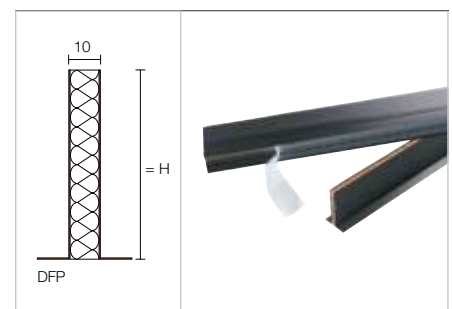
## Uitzettingsvoegprofiel voor dekvloer

## Schlüter®-DILEX-DFP



Schlüter-DILEX-DFP is een uitzettingsvoegprofiel met klevende voet voor de inbouw aan deuren of om de dekvloer in velden te verdelen.

(Productdatablad 9.1)



## Schlüter®-DILEX-DFP

PE-schuim

| H (mm) | L = 2,50 m<br>Art.-No. | € / m | KV (st.) |
|--------|------------------------|-------|----------|
| 100    | DFP 10/250             | 17,92 | 40       |

## Schlüter®-DILEX-DFP

PE-schuim

| H (mm) | L = 1,00 m<br>Art.-No. | € / m | P (st.) |
|--------|------------------------|-------|---------|
| 60     | DFP 6/100              | 13,55 | 25      |
| 80     | DFP 8/100              | 15,92 | 25      |
| 100    | DFP 10/100             | 18,55 | 25      |



# Schlüter-profielen voor vinyl en dergelijke

## Profielen voor elastische wand- en vloerbekledingen

Steeds meer tegelzeters en handelaars breiden hun assortiment uit met elastische bekledingen, zoals bijv. vinyl. Als uitvinder van de originele Schlüter-SCHIENE, bieden wij met Schlüter-VINPRO een assortiment voor solide afsluitingen en overgangen van elastische bekledingen. Op de vloer, aan de wand of op de trap: met Schlüter-VINPRO is er ook Schlüter-kwaliteit voor elastische bekledingen.





## Overgangsprofielen

Schlüter®-VINPRO-T 148

Schlüter®-VINPRO-U 149

## Afsluitprofielen

Schlüter®-VINPRO-S 150

Schlüter®-VINPRO-RO 151

## Trapprofielen

Schlüter®-VINPRO-STEP 152

Schlüter®-VINPRO-STEP-R 153



# Schlüter®-VINPRO

Profielen voor elastische bekledingen

- ✓ Beschermen bekledingsranden op de vloer, aan de wand en op de trap
- ✓ Snel en eenvoudig in te bouwen
- ✓ Voorkomen struikelgevaar bij overgangen tussen verschillende vloerbekledingen en hoogtes
- ✓ Verkrijgbaar in de oppervlakken:
  - alu. chroom geborsteld geanodiseerd (ACGB)
  - alu. titanium geborsteld geanodiseerd (ATGB)
  - alu. antiek brons geborsteld geanodiseerd (ABGB)

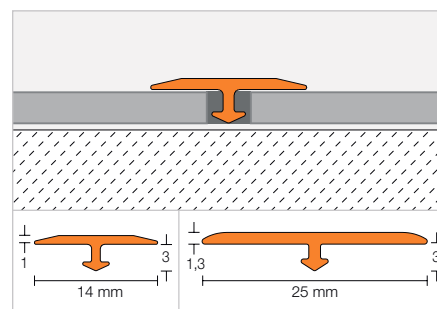


## Overgangsprofiel

### Schlüter®-VINPRO-T



Schlüter-VINPRO-T is een profiel dat achteraf wordt geplaatst als overgang tussen op gelijke hoogte aan elkaar grenzende, elastische vloerbekledingen (bijv. LVT, designbekleding). (Productdatablad 18.2)



#### Schlüter®-VINPRO-T-ACGB

Alu. chroom geborsteld geanodiseerd

| H (mm) | B (mm) | L = 2,50 m Art.-No. | € / m | KV (st.) |
|--------|--------|---------------------|-------|----------|
| 3      | 14     | VPT 3/14 ACGB       | 5,99  | 120      |
| 3      | 25     | VPTL 3/25 ACGB      | 6,73  | 120      |

#### Schlüter®-VINPRO-T-ATGB

Alu. titanium geborsteld geanodiseerd

| H (mm) | B (mm) | L = 2,50 m Art.-No. | € / m | KV (st.) |
|--------|--------|---------------------|-------|----------|
| 3      | 14     | VPT 3/14 ATGB       | 5,99  | 120      |
| 3      | 25     | VPTL 3/25 ATGB      | 6,73  | 120      |

#### Schlüter®-VINPRO-T-ABGB

Alu. antiek brons geborsteld geanodiseerd

| H (mm) | B (mm) | L = 2,50 m Art.-No. | € / m | KV (st.) |
|--------|--------|---------------------|-------|----------|
| 3      | 14     | VPT 3/14 ABGB       | 5,99  | 120      |
| 3      | 25     | VPTL 3/25 ABGB      | 6,73  | 120      |

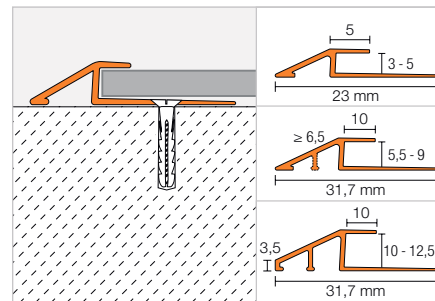
Een overzicht van de oppervlakken en kleuren vindt u vanaf pagina 342.

## Overgangsprofiel

**Schlüter®-VINPRO-U**


Schlüter-VINPRO-U is een profiel voor een traploze overgang van een elastische vloerbekleding (bijv. LVT, designbekleding) naar een aangrenzende, lager gelegen vloerbekleding of beton.

(Productdatablad 18.3)


**Schlüter®-VINPRO-U-ACGB**

Alu. chroom geborsteld geanodiseerd

| H (mm) | L = 2,50 m<br>Art.-No. | € / m        | KV (st.) |
|--------|------------------------|--------------|----------|
| 3      | VPU 30 ACGB            | <b>10,01</b> | 120      |
| 4      | VPU 40 ACGB            | <b>10,20</b> | 120      |
| 5      | VPU 50 ACGB            | <b>10,52</b> | 120      |
| 5,5    | VPUL 55 ACGB           | <b>10,75</b> | 120      |
| 6      | VPUL 60 ACGB           | <b>11,39</b> | 120      |
| 6,5    | VPUL 65 ACGB           | <b>11,80</b> | 120      |
| 7      | VPUL 70 ACGB           | <b>12,41</b> | 120      |
| 7,5    | VPUL 75 ACGB           | <b>13,00</b> | 120      |
| 8      | VPUL 80 ACGB           | <b>13,87</b> | 120      |
| 8,5    | VPUL 85 ACGB           | <b>14,76</b> | 120      |
| 9      | VPUL 90 ACGB           | <b>15,63</b> | 120      |
| 10     | VPUL 100 ACGB          | <b>16,53</b> | 120      |
| 11     | VPUL 110 ACGB          | <b>17,42</b> | 120      |
| 12,5   | VPUL 125 ACGB          | <b>18,30</b> | 120      |

**Schlüter®-VINPRO-U-ATGB**

Alu. titanium geborsteld geanodiseerd

| H (mm) | L = 2,50 m<br>Art.-No. | € / m        | KV (st.) |
|--------|------------------------|--------------|----------|
| 3      | VPU 30 ATGB            | <b>10,01</b> | 120      |
| 4      | VPU 40 ATGB            | <b>10,20</b> | 120      |
| 5      | VPU 50 ATGB            | <b>10,52</b> | 120      |
| 5,5    | VPUL 55 ATGB           | <b>10,75</b> | 120      |
| 6      | VPUL 60 ATGB           | <b>11,39</b> | 120      |
| 6,5    | VPUL 65 ATGB           | <b>11,80</b> | 120      |
| 7      | VPUL 70 ATGB           | <b>12,41</b> | 120      |
| 7,5    | VPUL 75 ATGB           | <b>13,00</b> | 120      |
| 8      | VPUL 80 ATGB           | <b>13,87</b> | 120      |
| 8,5    | VPUL 85 ATGB           | <b>14,76</b> | 120      |
| 9      | VPUL 90 ATGB           | <b>15,63</b> | 120      |
| 10     | VPUL 100 ATGB          | <b>16,53</b> | 120      |
| 11     | VPUL 110 ATGB          | <b>17,42</b> | 120      |
| 12,5   | VPUL 125 ATGB          | <b>18,30</b> | 120      |

**Schlüter®-VINPRO-U-ABGB**

Alu. antiek brons geborsteld geanodiseerd

| H (mm) | L = 2,50 m<br>Art.-No. | € / m        | KV (st.) |
|--------|------------------------|--------------|----------|
| 3      | VPU 30 ABGB            | <b>10,01</b> | 120      |
| 4      | VPU 40 ABGB            | <b>10,20</b> | 120      |
| 5      | VPU 50 ABGB            | <b>10,52</b> | 120      |
| 5,5    | VPUL 55 ABGB           | <b>10,75</b> | 120      |
| 6      | VPUL 60 ABGB           | <b>11,39</b> | 120      |
| 6,5    | VPUL 65 ABGB           | <b>11,80</b> | 120      |
| 7      | VPUL 70 ABGB           | <b>12,41</b> | 120      |
| 7,5    | VPUL 75 ABGB           | <b>13,00</b> | 120      |
| 8      | VPUL 80 ABGB           | <b>13,87</b> | 120      |
| 8,5    | VPUL 85 ABGB           | <b>14,76</b> | 120      |
| 9      | VPUL 90 ABGB           | <b>15,63</b> | 120      |
| 10     | VPUL 100 ABGB          | <b>16,53</b> | 120      |
| 11     | VPUL 110 ABGB          | <b>17,42</b> | 120      |
| 12,5   | VPUL 125 ABGB          | <b>18,30</b> | 120      |

Een overzicht van de oppervlakken en kleuren vindt u vanaf pagina 342.



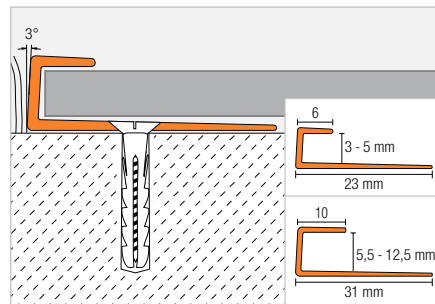
## Afsluitprofiel

### Schlüter®-VINPRO-S



Schlüter-VINPRO-S is een profiel voor de omranding van elastische bekledingen (bijv. LVT, designbekleding). Het biedt een randbescherming bij het afwerken van een bekleding met een aangrenzende bekleding van dezelfde of vergelijkbare hoogte of als afsluitrand van plinten.

(Productdatablad 18.1)



#### Schlüter®-VINPRO-S-ACGB

Alu. chroom geborsteld geanodiseerd

| H (mm) | L = 2,50 m<br>Art.-No. | € / m        | KV (st.) |
|--------|------------------------|--------------|----------|
| 3      | VPS 30 ACGB            | <b>8,92</b>  | 120      |
| 4      | VPS 40 ACGB            | <b>8,99</b>  | 120      |
| 5      | VPS 50 ACGB            | <b>9,06</b>  | 120      |
| 5,5    | VPSL 55 ACGB           | <b>9,45</b>  | 120      |
| 6      | VPSL 60 ACGB           | <b>9,79</b>  | 120      |
| 6,5    | VPSL 65 ACGB           | <b>10,15</b> | 120      |
| 7      | VPSL 70 ACGB           | <b>10,51</b> | 120      |
| 7,5    | VPSL 75 ACGB           | <b>10,86</b> | 120      |
| 8      | VPSL 80 ACGB           | <b>11,21</b> | 120      |
| 8,5    | VPSL 85 ACGB           | <b>11,58</b> | 120      |
| 9      | VPSL 90 ACGB           | <b>11,93</b> | 120      |
| 10     | VPSL 100 ACGB          | <b>12,27</b> | 120      |
| 11     | VPSL 110 ACGB          | <b>12,63</b> | 120      |
| 12,5   | VPSL 125 ACGB          | <b>13,00</b> | 120      |

#### Schlüter®-VINPRO-S-ATGB

Alu. titanium geborsteld geanodiseerd

| H (mm) | L = 2,50 m<br>Art.-No. | € / m        | KV (st.) |
|--------|------------------------|--------------|----------|
| 3      | VPS 30 ATGB            | <b>8,92</b>  | 120      |
| 4      | VPS 40 ATGB            | <b>8,99</b>  | 120      |
| 5      | VPS 50 ATGB            | <b>9,06</b>  | 120      |
| 5,5    | VPSL 55 ATGB           | <b>9,45</b>  | 120      |
| 6      | VPSL 60 ATGB           | <b>9,79</b>  | 120      |
| 6,5    | VPSL 65 ATGB           | <b>10,15</b> | 120      |
| 7      | VPSL 70 ATGB           | <b>10,51</b> | 120      |
| 7,5    | VPSL 75 ATGB           | <b>10,86</b> | 120      |
| 8      | VPSL 80 ATGB           | <b>11,21</b> | 120      |
| 8,5    | VPSL 85 ATGB           | <b>11,58</b> | 120      |
| 9      | VPSL 90 ATGB           | <b>11,93</b> | 120      |
| 10     | VPSL 100 ATGB          | <b>12,27</b> | 120      |
| 11     | VPSL 110 ATGB          | <b>12,63</b> | 120      |
| 12,5   | VPSL 125 ATGB          | <b>13,00</b> | 120      |

#### Schlüter®-VINPRO-S-ABGB

Alu. antiek brons geborsteld geanodiseerd

| H (mm) | L = 2,50 m<br>Art.-No. | € / m        | KV (st.) |
|--------|------------------------|--------------|----------|
| 3      | VPS 30 ABGB            | <b>8,92</b>  | 120      |
| 4      | VPS 40 ABGB            | <b>8,99</b>  | 120      |
| 5      | VPS 50 ABGB            | <b>9,06</b>  | 120      |
| 5,5    | VPSL 55 ABGB           | <b>9,45</b>  | 120      |
| 6      | VPSL 60 ABGB           | <b>9,79</b>  | 120      |
| 6,5    | VPSL 65 ABGB           | <b>10,15</b> | 120      |
| 7      | VPSL 70 ABGB           | <b>10,51</b> | 120      |
| 7,5    | VPSL 75 ABGB           | <b>10,86</b> | 120      |
| 8      | VPSL 80 ABGB           | <b>11,21</b> | 120      |
| 8,5    | VPSL 85 ABGB           | <b>11,58</b> | 120      |
| 9      | VPSL 90 ABGB           | <b>11,93</b> | 120      |
| 10     | VPSL 100 ABGB          | <b>12,27</b> | 120      |
| 11     | VPSL 110 ABGB          | <b>12,63</b> | 120      |
| 12,5   | VPSL 125 ABGB          | <b>13,00</b> | 120      |

Een overzicht van de oppervlakken en kleuren vindt u vanaf pagina 342.



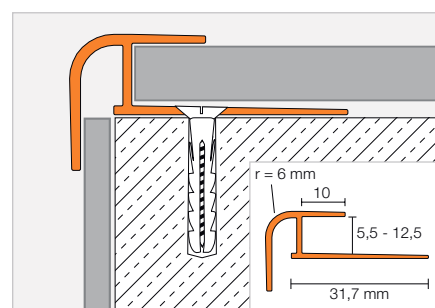
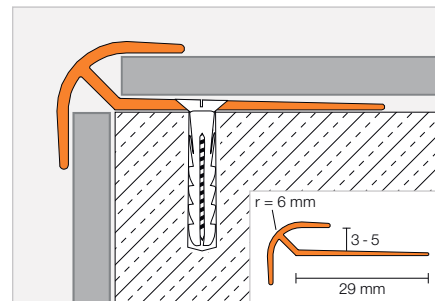
Voorbeeld: wandafsluiting

## Afsluitprofiel

## Schlüter®-VINPRO-RO



Schlüter-VINPRO-RO is een afsluit- en randbeschermingsprofiel, waarmee een symmetrisch afgeronde buitenhoek aan een wand met elastische bekledingen (bijv. LVT, design-bekleding) kan worden gemaakt. (Productdatablad 18.5)



## Schlüter®-VINPRO-RO-ACGB

Alu. chroom geborsteld geanodiseerd

| H (mm) | L = 2,50 m<br>Art.-No. | € / m        | KV (st.) |
|--------|------------------------|--------------|----------|
| 3      | VPRO 30 ACGB           | <b>10,52</b> | 120      |
| 4      | VPRO 40 ACGB           | <b>10,84</b> | 120      |
| 5      | VPRO 50 ACGB           | <b>11,16</b> | 120      |
| 5,5    | VPROL 55 ACGB          | <b>11,51</b> | 120      |
| 6      | VPROL 60 ACGB          | <b>12,41</b> | 120      |
| 6,5    | VPROL 65 ACGB          | <b>13,28</b> | 120      |
| 7      | VPROL 70 ACGB          | <b>13,87</b> | 120      |
| 7,5    | VPROL 75 ACGB          | <b>14,46</b> | 120      |
| 8      | VPROL 80 ACGB          | <b>15,05</b> | 120      |
| 8,5    | VPROL 85 ACGB          | <b>15,63</b> | 120      |
| 9      | VPROL 90 ACGB          | <b>16,23</b> | 120      |
| 10     | VPROL 100 ACGB         | <b>16,83</b> | 120      |
| 11     | VPROL 110 ACGB         | <b>17,42</b> | 120      |
| 12,5   | VPROL 125 ACGB         | <b>18,00</b> | 120      |

## Schlüter®-VINPRO-RO-ATGB

Alu. titanium geborsteld geanodiseerd

| H (mm) | L = 2,50 m<br>Art.-No. | € / m        | KV (st.) |
|--------|------------------------|--------------|----------|
| 3      | VPRO 30 ATGB           | <b>10,52</b> | 120      |
| 4      | VPRO 40 ATGB           | <b>10,84</b> | 120      |
| 5      | VPRO 50 ATGB           | <b>11,16</b> | 120      |
| 5,5    | VPROL 55 ATGB          | <b>11,51</b> | 120      |
| 6      | VPROL 60 ATGB          | <b>12,41</b> | 120      |
| 6,5    | VPROL 65 ATGB          | <b>13,28</b> | 120      |
| 7      | VPROL 70 ATGB          | <b>13,87</b> | 120      |
| 7,5    | VPROL 75 ATGB          | <b>14,46</b> | 120      |
| 8      | VPROL 80 ATGB          | <b>15,05</b> | 120      |
| 8,5    | VPROL 85 ATGB          | <b>15,63</b> | 120      |
| 9      | VPROL 90 ATGB          | <b>16,23</b> | 120      |
| 10     | VPROL 100 ATGB         | <b>16,83</b> | 120      |
| 11     | VPROL 110 ATGB         | <b>17,42</b> | 120      |
| 12,5   | VPROL 125 ATGB         | <b>18,00</b> | 120      |

## Schlüter®-VINPRO-RO-ABGB

Alu. antiek brons geborsteld geanodiseerd

| H (mm) | L = 2,50 m<br>Art.-No. | € / m        | KV (st.) |
|--------|------------------------|--------------|----------|
| 3      | VPRO 30 ABGB           | <b>10,52</b> | 120      |
| 4      | VPRO 40 ABGB           | <b>10,84</b> | 120      |
| 5      | VPRO 50 ABGB           | <b>11,16</b> | 120      |
| 5,5    | VPROL 55 ABGB          | <b>11,51</b> | 120      |
| 6      | VPROL 60 ABGB          | <b>12,41</b> | 120      |
| 6,5    | VPROL 65 ABGB          | <b>13,28</b> | 120      |
| 7      | VPROL 70 ABGB          | <b>13,87</b> | 120      |
| 7,5    | VPROL 75 ABGB          | <b>14,46</b> | 120      |
| 8      | VPROL 80 ABGB          | <b>15,05</b> | 120      |
| 8,5    | VPROL 85 ABGB          | <b>15,63</b> | 120      |
| 9      | VPROL 90 ABGB          | <b>16,23</b> | 120      |
| 10     | VPROL 100 ABGB         | <b>16,83</b> | 120      |
| 11     | VPROL 110 ABGB         | <b>17,42</b> | 120      |
| 12,5   | VPROL 125 ABGB         | <b>18,00</b> | 120      |

Een overzicht van de oppervlakken en kleuren vindt u vanaf pagina 342.

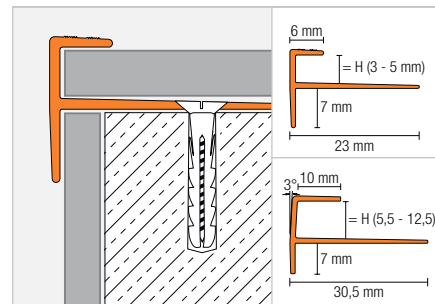


## Trapprofiel

### Schlüter®-VINPRO-STEP



Schlüter-VINPRO-STEP is een afsluit- en randbeschermingsprofiel voor elastische bekledingen (bijv. LVT, designbekleding) op trappen. Het profiel is rechthoekig van vorm met een geribbeld antislip oppervlak.  
(Productdatablad 18.4)



#### Schlüter®-VINPRO-STEP-ACGB

Alu. chroom geborsteld geanodiseerd

| H (mm) | L = 2,50 m<br>Art.-No. | € / m        | KV (st.) |
|--------|------------------------|--------------|----------|
| 3      | VPST 30 ACGB           | <b>10,57</b> | 120      |
| 4      | VPST 40 ACGB           | <b>10,84</b> | 120      |
| 5      | VPST 50 ACGB           | <b>11,16</b> | 120      |
| 5,5    | VPSTL 55 ACGB          | <b>12,10</b> | 120      |
| 6      | VPSTL 60 ACGB          | <b>12,52</b> | 120      |
| 6,5    | VPSTL 65 ACGB          | <b>12,92</b> | 120      |
| 7      | VPSTL 70 ACGB          | <b>13,34</b> | 120      |
| 7,5    | VPSTL 75 ACGB          | <b>13,75</b> | 120      |
| 8      | VPSTL 80 ACGB          | <b>14,17</b> | 120      |
| 8,5    | VPSTL 85 ACGB          | <b>14,58</b> | 120      |
| 9      | VPSTL 90 ACGB          | <b>14,99</b> | 120      |
| 10     | VPSTL 100 ACGB         | <b>15,46</b> | 120      |
| 11     | VPSTL 110 ACGB         | <b>15,71</b> | 120      |
| 12,5   | VPSTL 125 ACGB         | <b>16,05</b> | 120      |

#### Schlüter®-VINPRO-STEP-ATGB

Alu. titanium geborsteld geanodiseerd

| H (mm) | L = 2,50 m<br>Art.-No. | € / m        | KV (st.) |
|--------|------------------------|--------------|----------|
| 3      | VPST 30 ATGB           | <b>10,57</b> | 120      |
| 4      | VPST 40 ATGB           | <b>10,84</b> | 120      |
| 5      | VPST 50 ATGB           | <b>11,16</b> | 120      |
| 5,5    | VPSTL 55 ATGB          | <b>12,10</b> | 120      |
| 6      | VPSTL 60 ATGB          | <b>12,52</b> | 120      |
| 6,5    | VPSTL 65 ATGB          | <b>12,92</b> | 120      |
| 7      | VPSTL 70 ATGB          | <b>13,34</b> | 120      |
| 7,5    | VPSTL 75 ATGB          | <b>13,75</b> | 120      |
| 8      | VPSTL 80 ATGB          | <b>14,17</b> | 120      |
| 8,5    | VPSTL 85 ATGB          | <b>14,58</b> | 120      |
| 9      | VPSTL 90 ATGB          | <b>14,99</b> | 120      |
| 10     | VPSTL 100 ATGB         | <b>15,46</b> | 120      |
| 11     | VPSTL 110 ATGB         | <b>15,71</b> | 120      |
| 12,5   | VPSTL 125 ATGB         | <b>16,05</b> | 120      |

#### Schlüter®-VINPRO-STEP-ABGB

Alu. antiek brons geborsteld geanodiseerd

| H (mm) | L = 2,50 m<br>Art.-No. | € / m        | KV (st.) |
|--------|------------------------|--------------|----------|
| 3      | VPST 30 ABGB           | <b>10,57</b> | 120      |
| 4      | VPST 40 ABGB           | <b>10,84</b> | 120      |
| 5      | VPST 50 ABGB           | <b>11,16</b> | 120      |
| 5,5    | VPSTL 55 ABGB          | <b>12,10</b> | 120      |
| 6      | VPSTL 60 ABGB          | <b>12,52</b> | 120      |
| 6,5    | VPSTL 65 ABGB          | <b>12,92</b> | 120      |
| 7      | VPSTL 70 ABGB          | <b>13,34</b> | 120      |
| 7,5    | VPSTL 75 ABGB          | <b>13,75</b> | 120      |
| 8      | VPSTL 80 ABGB          | <b>14,17</b> | 120      |
| 8,5    | VPSTL 85 ABGB          | <b>14,58</b> | 120      |
| 9      | VPSTL 90 ABGB          | <b>14,99</b> | 120      |
| 10     | VPSTL 100 ABGB         | <b>15,46</b> | 120      |
| 11     | VPSTL 110 ABGB         | <b>15,71</b> | 120      |
| 12,5   | VPSTL 125 ABGB         | <b>16,05</b> | 120      |

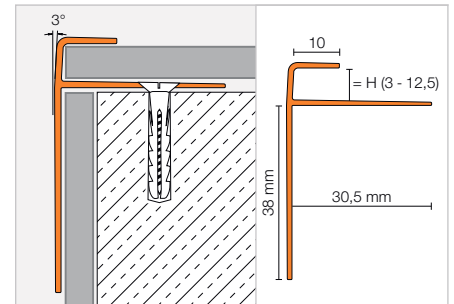
Een overzicht van de oppervlakken en kleuren vindt u vanaf pagina 342.

## Trapprofiel

**Schlüter®-VINPRO-STEP-R**


Schlüter-VINPRO-STEP-R is een afsluit- en randprofiel voor de inbouw van elastische bekledingen (bijv. LVT, designbekleding) op trappen. Het bovenste deel van het profiel heeft een 10 mm breed, afgeschuind afdekvlak met een afgeronde voorzijde die de snijrand van de elastische vloerbekleding verbergt.

Het verlengde verticale gedeelte aan het stootbord zorgt voor een betere zichtbaarheid. Voor het schroeven van VINPRO-STEP-R is het tapse bevestigingsvlak voorzien van gaten die gelijkmatig over de lengte van het profiel zijn verdeeld. Het bevestigingsvlak kan ook met een montagelijm, zoals Schlüter-KERDI-FIX, op de ondergrond worden vastgelijmd. (Productdatablad 18.4)


**Schlüter®-VINPRO-STEP-R-ACGB**

Alu. chroom geborsteld geanodiseerd

| H (mm) | L = 2,50 m<br>Art.-No. | € / m | KV (st.) |
|--------|------------------------|-------|----------|
| 3      | VPSTRL 30 ACGB         | 15,63 | 120      |
| 4      | VPSTRL 40 ACGB         | 15,93 | 120      |
| 5      | VPSTRL 50 ACGB         | 16,05 | 120      |
| 5,5    | VPSTRL 55 ACGB         | 16,23 | 120      |
| 6      | VPSTRL 60 ACGB         | 16,53 | 120      |
| 6,5    | VPSTRL 65 ACGB         | 17,12 | 120      |
| 7      | VPSTRL 70 ACGB         | 17,71 | 120      |
| 7,5    | VPSTRL 75 ACGB         | 18,30 | 120      |
| 8      | VPSTRL 80 ACGB         | 18,88 | 120      |
| 8,5    | VPSTRL 85 ACGB         | 19,48 | 120      |
| 9      | VPSTRL 90 ACGB         | 20,07 | 120      |
| 10     | VPSTRL 100 ACGB        | 20,66 | 120      |
| 11     | VPSTRL 110 ACGB        | 21,26 | 120      |
| 12,5   | VPSTRL 125 ACGB        | 22,14 | 120      |

**Schlüter®-VINPRO-STEP-R-ATGB**

Alu. titanium geborsteld geanodiseerd

| H (mm) | L = 2,50 m<br>Art.-No. | € / m | KV (st.) |
|--------|------------------------|-------|----------|
| 3      | VPSTRL 30 ATGB         | 15,63 | 120      |
| 4      | VPSTRL 40 ATGB         | 15,93 | 120      |
| 5      | VPSTRL 50 ATGB         | 16,05 | 120      |
| 5,5    | VPSTRL 55 ATGB         | 16,23 | 120      |
| 6      | VPSTRL 60 ATGB         | 16,53 | 120      |
| 6,5    | VPSTRL 65 ATGB         | 17,12 | 120      |
| 7      | VPSTRL 70 ATGB         | 17,71 | 120      |
| 7,5    | VPSTRL 75 ATGB         | 18,30 | 120      |
| 8      | VPSTRL 80 ATGB         | 18,88 | 120      |
| 8,5    | VPSTRL 85 ATGB         | 19,48 | 120      |
| 9      | VPSTRL 90 ATGB         | 20,07 | 120      |
| 10     | VPSTRL 100 ATGB        | 20,66 | 120      |
| 11     | VPSTRL 110 ATGB        | 21,26 | 120      |
| 12,5   | VPSTRL 125 ATGB        | 22,14 | 120      |

**Schlüter®-VINPRO-STEP-R-ABGB**

Alu. antiek brons geborsteld geanodiseerd

| H (mm) | L = 2,50 m<br>Art.-No. | € / m | KV (st.) |
|--------|------------------------|-------|----------|
| 3      | VPSTRL 30 ABGB         | 15,63 | 120      |
| 4      | VPSTRL 40 ABGB         | 15,93 | 120      |
| 5      | VPSTRL 50 ABGB         | 16,05 | 120      |
| 5,5    | VPSTRL 55 ABGB         | 16,23 | 120      |
| 6      | VPSTRL 60 ABGB         | 16,53 | 120      |
| 6,5    | VPSTRL 65 ABGB         | 17,12 | 120      |
| 7      | VPSTRL 70 ABGB         | 17,71 | 120      |
| 7,5    | VPSTRL 75 ABGB         | 18,30 | 120      |
| 8      | VPSTRL 80 ABGB         | 18,88 | 120      |
| 8,5    | VPSTRL 85 ABGB         | 19,48 | 120      |
| 9      | VPSTRL 90 ABGB         | 20,07 | 120      |
| 10     | VPSTRL 100 ABGB        | 20,66 | 120      |
| 11     | VPSTRL 110 ABGB        | 21,26 | 120      |
| 12,5   | VPSTRL 125 ABGB        | 22,14 | 120      |

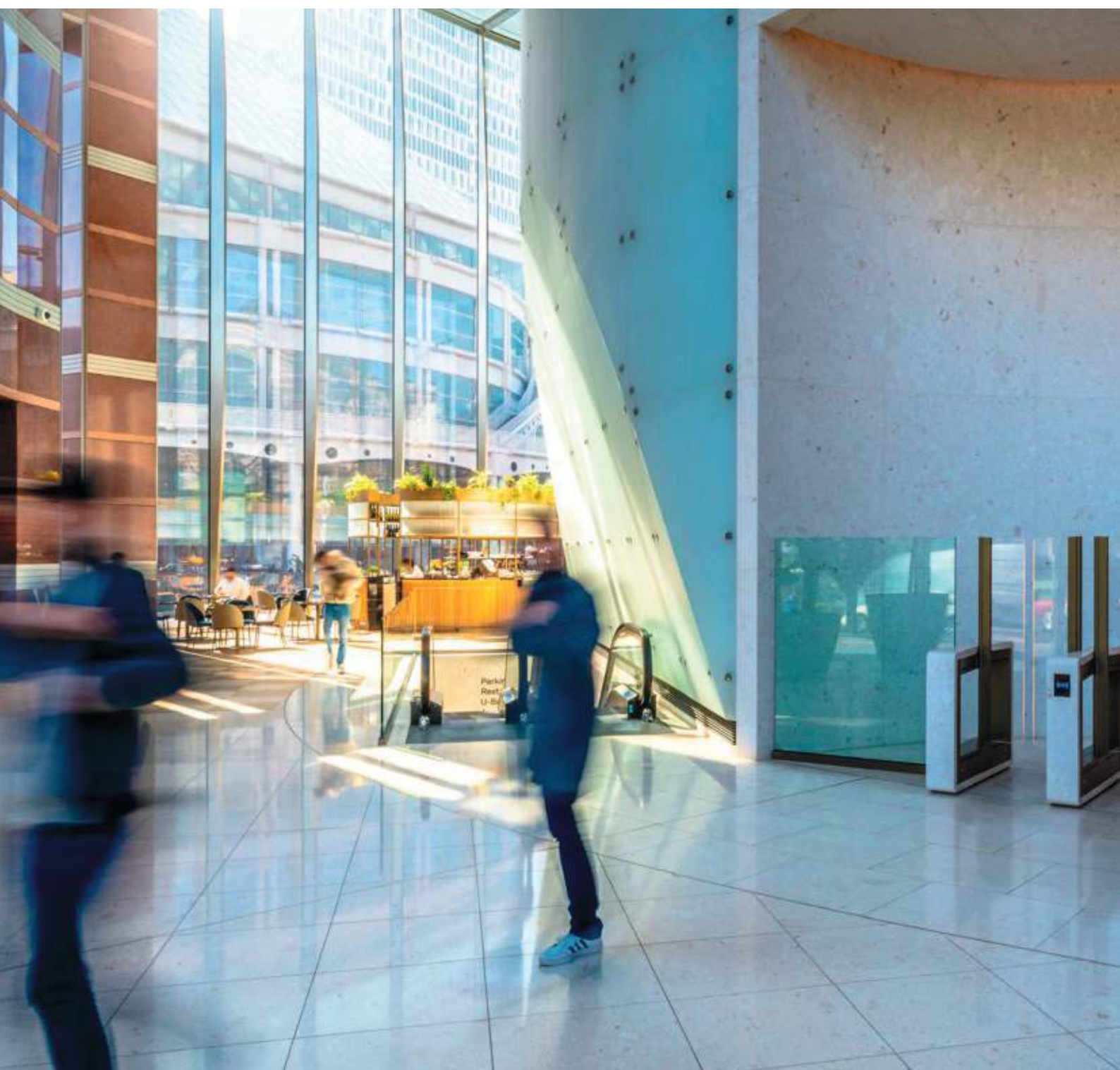
Een overzicht van de oppervlakken en kleuren vindt u vanaf pagina 342.



# Schlüter®-DITRA

Afdichting, ontkoppeling, hechtende drainage,  
verwarming, contactgeluidsisolatie

Ontkoppelingsmatten en contactafdichtingen uit de Schlüter-DITRA productfamilie worden al decennialang wereldwijd met succes gebruikt. Ze maken het plaatsen van tegels ook in moeilijke situaties mogelijk – en nu ook met een snel te plaatsen, zelfklevende variant. Zo wordt de bekleding bijv. ontkoppeld en langs onder verlucht dankzij de eerste, capillair passieve hechtende drainage Schlüter-DITRA-DRAIN waardoor een betrouwbare en snelle droging van de tegellijm ontstaat, ook onder grootformaat tegels. Schlüter-DITRA-HEAT-E biedt ook een snelle en prijsgunstige elektrische temperatuurregeling van doelgerichte bekledingsvlakken.





## Ontkoppeling

|                    |     |
|--------------------|-----|
| Schlüter®-DITRA    | 157 |
| Schlüter®-DITRA-PS | 159 |

## Ontkoppeling en verwarming

|  |         |
|--|---------|
| Schlüter®-DITRA-HEAT                       | 161     |
| Schlüter®-DITRA-HEAT-DUO                   | 161     |
| Schlüter®-DITRA-HEAT-PS                    | 163     |
| Schlüter®-DITRA-HEAT-DUO-PS                | 163     |
| Schlüter®-DITRA-HEAT-E – complete sets     | 168–169 |
| Schlüter®-DITRA-HEAT-E-DUO – complete sets | 170–171 |

## Verwarmingkabel

|                            |     |
|----------------------------|-----|
| Schlüter®-DITRA-HEAT-E-HK  | 164 |
| Schlüter®-DITRA-HEAT-E-CHC | 165 |

## Thermostaat

|                          |         |
|--------------------------|---------|
| Schlüter®-DITRA-HEAT-E-R | 166–167 |
|--------------------------|---------|

## Toebehoren

|                             |     |
|-----------------------------|-----|
| Schlüter®-DITRA-HEAT-E-KARO | 167 |
| Schlüter®-DITRA-HEAT-E-CT   | 167 |
| Schlüter®-DITRA-HEAT-E-ZS   | 167 |

## Ontkoppeling en hechtende drainage

|                         |     |
|-------------------------|-----|
| Schlüter®-DITRA-DRAIN 4 | 173 |
| Schlüter®-DITRA-DRAIN 8 | 173 |

## Contactgeluidsisolatie

|                       |     |
|-----------------------|-----|
| Schlüter®-DITRA-SOUND | 175 |
|-----------------------|-----|



# Schlüter®-DITRA

Het origineel. Met Easyfill- en Easycut-technologie.

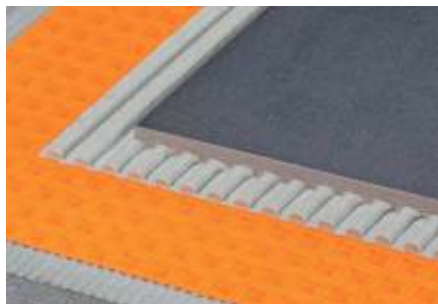


Met haar talrijke functies heeft de DITRA mat zich over de hele wereld bewezen als universele ondergrond voor betegeling. Dankzij de verbeterde geometrie kan DITRA nu nog gemakkelijker worden verwerkt. De voordelen in één oogopslag:

- ✓ **Eenvoudig, zeker en snel te plaatsen**
- ✓ **Easycut-snijraster – eenvoudig en snel op maat te snijden**
- ✓ **Easyfill-design – eenvoudiger opvullen met tegellijm dankzij geïntegreerde luchtgaten**
- ✓ **Verbeterde hechting van de tegellijm dankzij de gewijzigde geometrie**
- ✓ **Eenvoudig afrolbaar**
- ✓ **Beproefde functies:**
  - afdichting
  - ontkoppeling
  - dampdrukknivellering
  - lastverdeling
  - warmtespreiding

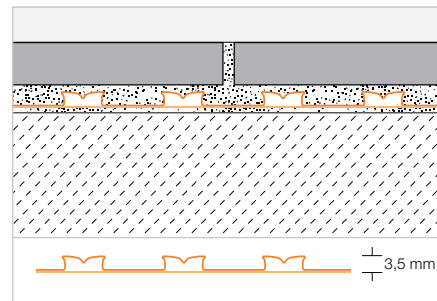
## Ontkoppeling

## Schlüter®-DITRA



Schlüter-DITRA is een polypropyleenmat met zwaluwstaartvormige, kwadratisch verdiepte oppervlakken met een Easyfill-design, die aan de achterzijde is voorzien van een dragende vlieslaag. Het vormt een universele ondergrond voor tegelbekledingen als ont koppelingslaag, contactafdichting en dampdruk nivelleringslaag.

(Productdatablad 6.1)



## Schlüter®-DITRA

Polypropyleen op rol

| L x B = m <sup>2</sup> | Art.-No. | € / m <sup>2</sup> | PL (rol) |
|------------------------|----------|--------------------|----------|
| 5,1 x 0,995 = 5        | D 5M     | <b>23,61</b>       | 22       |
| 30,2 x 0,995 = 30      | D 30M    | <b>19,57</b>       | 6        |

**Tip gereedschap:**

Schlüter-TROWEL, vertanding 4 x 4, zie pagina 338.





# Schlüter®-DITRA-PS

Nu ook zelfklevend – bespaart tijd en lijm

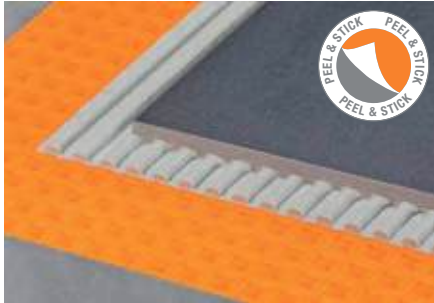
Handig en snel te verwerken: de nieuwe DITRA-PS met zelfklevend draagvlies kan direct op een geschikte ondergrond worden geplaatst. Dat bespaart niet alleen tijd, maar ook materiaal, omdat er geen lijm-laag onder de mat meer nodig is. Natuurlijk ontkoppelt DITRA-PS net zo betrouwbaar de bekleding van de ondergrond als de klassieke DITRA.

- ✓ Zelfklevend draagvlies
- ✓ Gemakkelijk te herpositioneren tijdens de plaatsing
- ✓ Tijd- en materiaalwinst

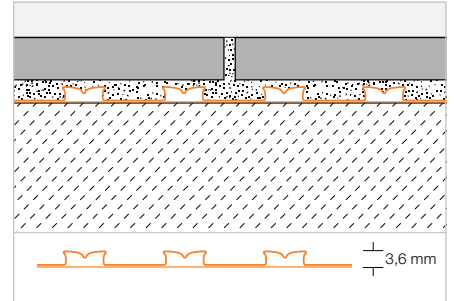


## Zelfklevende ont koppeling

## Schlüter®-DITRA-PS



Schlüter-DITRA-PS is een polypropyleenmat met zwaluwstaartvormige, kwadratisch verdiepte oppervlakken met een Easyfill-design, die aan de achterzijde is voorzien van een zelfklevend draagvlies. De mat is niet waterdoorlatend. Wanneer de beschermfolie is verwijderd, kan DITRA-PS op een geschikte ondergrond worden geplaatst zonder dat er tegellijm moet worden gebruikt en dient zo als ont koppelings- en dampdrukknivelleringslaag. (Productdatablad 6.7)



## Schlüter®-DITRA-PS

Zelfklevende polypropyleen mat

| L x B = m <sup>2</sup> | Art.-No. | € / m <sup>2</sup> | PL (st.) |
|------------------------|----------|--------------------|----------|
| 0,735 x 0,985 = 0,72   | D PS MA  | <b>29,54</b>       | 100      |

## Schlüter®-DITRA-PS

Zelfklevend polypropyleen op rol

| L x B = m <sup>2</sup> | Art.-No.  | € / m <sup>2</sup> | PL (rol) |
|------------------------|-----------|--------------------|----------|
| 25,4 x 0,985 = 25      | D PS 25 M | <b>24,44</b>       | 6        |





# Schlüter®-DITRA-HEAT-E

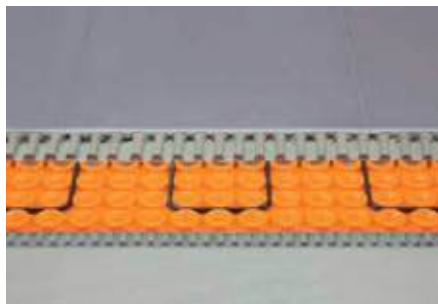
## Warme voeten gegarandeerd

Wie denkt dat elektrische vloer- of wandverwarming een dure luxe is, heeft zonder Schlüter-DITRA-HEAT-E gerekend. De snelle opwarming en precieze tijdsturing maken van warme voeten een betaalbaar genot. Door de handige plaatsing van de verwarmingskabels in de ontkoppelingsmat wordt al veel tijd gewonnen bij de installatie.

- ✓ Aangenaam woonklimaat, ook geschikt voor mensen met een allergie
- ✓ Exacte en precieze sturing
- ✓ Voordelig, duurzaam en onderhoudsvrij
- ✓ Nu nog eenvoudiger te snijden en te plaatsen
- ✓ Ontkoppelt de bekleding van de ondergrond
- ✓ Extra contactgeluidsisolatie met Schlüter-DITRA-HEAT-DUO beschikbaar
- ✓ Ook als afdichting geschikt

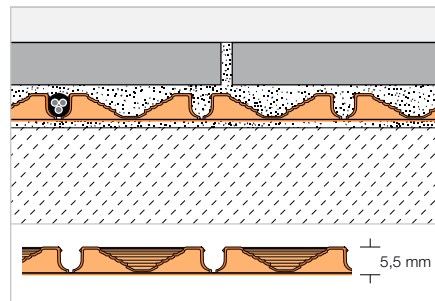


## Ontkoppeling | Verwarming

**Schlüter®-DITRA-HEAT**

Schlüter-DITRA-HEAT is een polypropyleen mat met een ingesneden noppenstructuur, die aan de achterzijde van een draagvlies is voorzien. Het is een universele ondergrond voor tegelbekledingen met de functies ontkoppeling, contactafdichting en dampdrukniervelling, en kan de systeemconforme verwarmingskabels voor vloer- en wandverwarming opnemen.

(Productdatablad 6.4)

**Schlüter®-DITRA-HEAT-MA**

Polypropyleen mat

| L x B = m <sup>2</sup> | Art.-No. | € / m <sup>2</sup> | PL (st.) |
|------------------------|----------|--------------------|----------|
| 0,8 x 0,98 = 0,78      | DH5 MA   | <b>24,62</b>       | 100      |

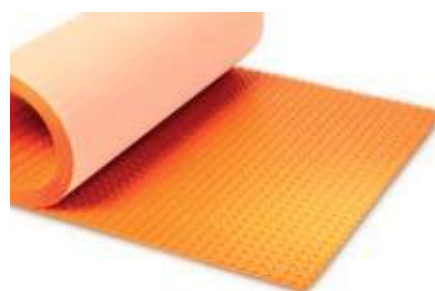
**Tip gereedschap:**

Schlüter-TROWEL, vertanding 6 x 6, zie pagina 338.

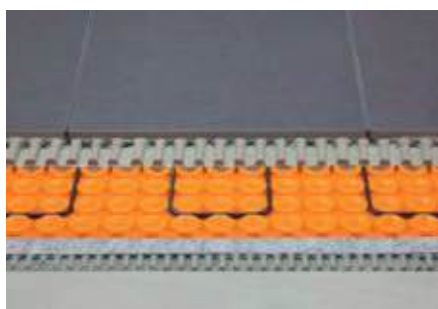
**Schlüter®-DITRA-HEAT**

Polypropyleen op rol

| L x B = m <sup>2</sup> | Art.-No. | € / m <sup>2</sup> | PL (rol) |
|------------------------|----------|--------------------|----------|
| 12,76 x 0,98 = 12,5    | DH5 12M  | <b>21,88</b>       | 6        |

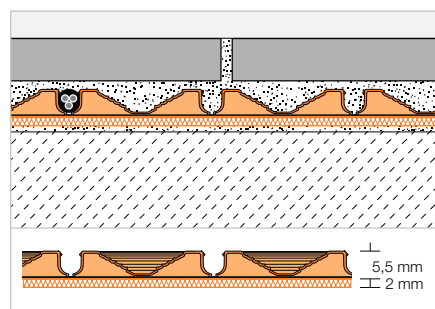


## Ontkoppeling | Verwarming

**Schlüter®-DITRA-HEAT-DUO**

Schlüter-DITRA-HEAT-DUO is een polypropyleenmat met een ingesneden noppenstructuur, die aan de achterzijde voorzien is van een 2 mm dik, speciaal draagvlies. Ze vormt een universele ondergrond voor tegelbekleding met de functies contactafdichting, ontkoppeling en dampdrukniervelling, en kan de systeemconforme verwarmingskabels voor vloer- en wandverwarming opnemen. Het speciale, thermische barrièrevlies zorgt naast het verminderen van het contactgeluid van max. 13 dB voor een snellere opwarming van de vloer- en wandbekleding.

(Productdatablad 6.4)

**Schlüter®-DITRA-HEAT-DUO-MA**

Polypropyleen mat met 2 mm thermische barrière

| L x B = m <sup>2</sup> | Art.-No.  | € / m <sup>2</sup> | PL (st.) |
|------------------------|-----------|--------------------|----------|
| 0,8 x 0,98 = 0,78      | DH D 8 MA | <b>29,87</b>       | 100      |

**Tip gereedschap:**

Schlüter-TROWEL, vertanding 6 x 6, zie pagina 338.

**Schlüter®-DITRA-HEAT-DUO**

Polypropyleen op rol met 2 mm thermische barrière

| L x B = m <sup>2</sup> | Art.-No.   | € / m <sup>2</sup> | PL (rol) |
|------------------------|------------|--------------------|----------|
| 10,2 x 0,98 = 10       | DH D 810 M | <b>26,52</b>       | 6        |





# Schlüter®-DITRA-HEAT-PS

Snel gelegd dankzij de Peel & Stick technologie

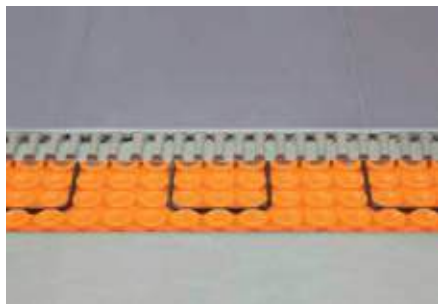
Wanneer de ondergrond hiervoor geschikt is, is de zelfklevende variant een tijd- en materiaalbesparend alternatief voor de klassieke DITRA-HEAT. Bij het verwerken van de nieuwe DITRA-HEAT-PS (Peel & Stick) is er geen lijmlaag onder de mat meer nodig, omdat het product over een zelfklevend draagvlies beschikt. U bespaart hierdoor dus materiaal en tijd. Alle andere functies van de beproefde DITRA-HEAT blijven behouden.

- ✓ **Zelfklevend draagvlies**
- ✓ **Eenvoudig en snel te plaatsen**
- ✓ **Gemakkelijk te herpositioneren tijdens de plaatsing**
- ✓ **Tijd- en materiaalwinst**
- ✓ **Direct na het plaatsen al begaanbaar**
- ✓ **Ontkoppelt de bekleding van de ondergrond**
- ✓ **Eenvoudige plaatsing van de verwarmingskabels**
- ✓ **Ook verkrijgbaar als DITRA-HEAT-DUO-PS met extra contactgeluidsisolatie en snellere opwarming**



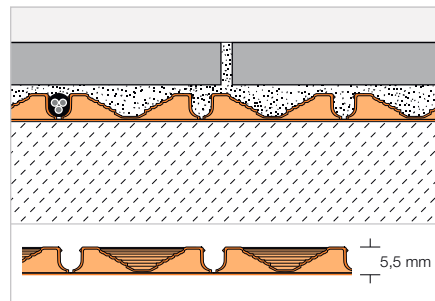
## Zelfklevende ont koppeling | Verwarming

## Schlüter®-DITRA-HEAT-PS



Schlüter-DITRA-HEAT-PS is een polypropyleenmat met een ingesneden noppenstructuur, die aan de achterzijde van een zelfklevend draagvlies is voorzien. Wanneer de beschermfolie is verwijderd, kan DITRA-HEAT-PS op een geschikte ondergrond worden geplaatst zonder dat er tegelijm moet worden gebruikt. De mat is niet waterdoorlatend en dient als opname voor verwarmingskabels, als ont koppeling en als dampdruknivelleringslaag.

(Productdatablad 6.5)



## Schlüter®-DITRA-HEAT-MA-PS

Zelfklevende polypropyleen mat

| L x B = m <sup>2</sup> | Art.-No.   | € / m <sup>2</sup> | PL (st.) |
|------------------------|------------|--------------------|----------|
| 0,8 x 0,98 = 0,78      | DH PS 5 MA | <b>32,16</b>       | 100      |

## Schlüter®-DITRA-HEAT-PS

Zelfklevend polypropyleen op rol

| L x B = m <sup>2</sup> | Art.-No.    | € / m <sup>2</sup> | PL (rol) |
|------------------------|-------------|--------------------|----------|
| 12,76 x 0,98 = 12,5    | DH PS 512 M | <b>28,33</b>       | 6        |



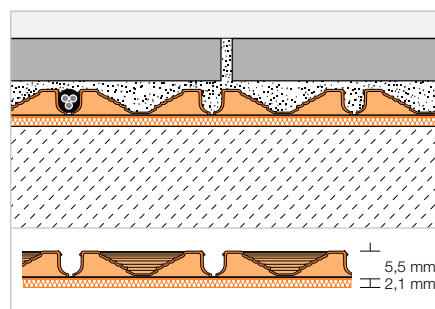
## Zelfklevende ont koppeling | Verwarming

## Schlüter®-DITRA-HEAT-DUO-PS



Schlüter-DITRA-HEAT-DUO-PS is een polypropyleenmat met een ingesneden noppenstructuur, die aan de achterzijde van een 2 mm zelfklevend, geluidsreducerend draagvlies is voorzien. Wanneer de beschermfolie is verwijderd, kan DITRA-HEAT-DUO-PS op een geschikte ondergrond worden geplaatst zonder dat er tegelijm moet worden gebruikt. De mat is niet waterdoorlatend en dient als opname voor verwarmingskabels, als ont koppeling en als dampdruknivelleringslaag. Het speciale vliesweefsel vermindert niet alleen het contactgeluid tot 14 dB, maar zorgt ook voor een snellere opwarming.

(Productdatablad 6.5)



## Schlüter®-DITRA-HEAT-DUO-MA-PS

Zelfklevende polypropyleen mat met 2 mm thermo-vlies

| L x B = m <sup>2</sup> | Art.-No.     | € / m <sup>2</sup> | PL (st.) |
|------------------------|--------------|--------------------|----------|
| 0,8 x 0,98 = 0,78      | DH D PS 8 MA | <b>38,38</b>       | 100      |

## Schlüter®-DITRA-HEAT-DUO-PS

Zelfklevend polypropyleen op rol met 2 mm thermo-vlies

| L x B = m <sup>2</sup> | Art.-No.      | € / m <sup>2</sup> | PL (rol) |
|------------------------|---------------|--------------------|----------|
| 10,2 x 0,98 = 10       | DH D PS 810 M | <b>34,82</b>       | 6        |

**Opmerking:**

DITRA-HEAT-PS/-DUO-PS zijn waterdicht en kunnen in badkamers worden toegepast, als de stootnaden van de matten worden afgedicht met KERDI-KEBA en KERDI-COLL. Er is geen certificering conform ETA (European Technical Assessment) of abP (algemeen bouwtechnisch testcertificaat). Indien nodig, adviseren wij het gebruik van de oorspronkelijke DITRA-HEAT die met dunbedmortel op de ondergrond wordt verlijmd.



## Verwarmingskabel

### Schlüter®-DITRA-HEAT-E-HK

12,5 W/m



Schlüter-DITRA-HEAT-E-HK is een elektrische verwarmingskabel met enkelzijdige aansluiting voor plaatsing in de ontkoppelingsmat Schlüter-DITRA-HEAT. De kabel heeft een vermogen van 12,5 W/m.  
(Productdatablad 6.6)



### Schlüter®-DITRA-HEAT-E-HK

Dunbed-verwarmingskabel

| L (m)  | Vloer verwarmd, 136 W/m <sup>2</sup> * | Wand verwarmd, 200 W/m <sup>2</sup> ** | Watt | Art.-No.    | € / St. | P (st.) |
|--------|--|--|------|-------------|---------|---------|
|        | m <sup>2</sup>                         | m <sup>2</sup>                         |      |             |         |         |
| 4      | 0,4                                    | 0,25                                   | 50   | DH E HK 4   | 125,15  | 10      |
| 6,76   | 0,6                                    | 0,43                                   | 85   | DH E HK 6   | 132,95  | 10      |
| 12,07  | 1,1                                    | 0,7                                    | 150  | DH E HK 12  | 205,30  | 10      |
| 17,66  | 1,6                                    | 1                                      | 225  | DH E HK 17  | 242,74  | 10      |
| 23,77  | 2,2                                    | 1,5                                    | 300  | DH E HK 23  | 270,49  | 10      |
| 29,87  | 2,7                                    | 1,8                                    | 375  | DH E HK 29  | 319,06  | 10      |
| 35,97  | 3,3                                    | 2,2                                    | 450  | DH E HK 35  | 367,58  | 10      |
| 41,56  | 3,8                                    | 2,6                                    | 525  | DH E HK 41  | 409,18  | 10      |
| 47,67  | 4,4                                    | 2,9                                    | 600  | DH E HK 47  | 468,86  | 10      |
| 53,77  | 5                                      | 3,3                                    | 675  | DH E HK 53  | 520,20  | 10      |
| 59,87  | 5,5                                    | 3,7                                    | 750  | DH E HK 59  | 554,86  | 10      |
| 71,57  | 6,6                                    | 4,4                                    | 900  | DH E HK 71  | 638,07  | 10      |
| 83,77  | 7,7                                    | 5,1                                    | 1050 | DH E HK 83  | 749,06  | 10      |
| 95,47  | 8,8                                    | 5,9                                    | 1200 | DH E HK 95  | 853,07  | 10      |
| 107,67 | 10                                     | 6,6                                    | 1350 | DH E HK 107 | 936,32  | 10      |
| 136,16 | 12,7                                   | 8,4                                    | 1700 | DH E HK 136 | 1122,34 | 10      |
| 164,07 | 15                                     | 10                                     | 2050 | DH E HK 164 | 1342,48 | 10      |
| 192,27 | 17,7                                   | 11,8                                   | 2400 | DH E HK 192 | 1570,71 | 10      |
| 216,27 | 20                                     | 13,2                                   | 2700 | DH E HK 216 | 1765,39 | 10      |
| 244,37 | 22,7                                   | 15,1                                   | 3050 | DH E HK 244 | 1980,18 | 10      |

\* geschikt voor vloer- en wandmontage \*\* alleen geschikt voor wandmontage

#### Opmerking:

Verwarmingskabels mogen niet worden ingekort.

Let er bij de keuze van de verwarmingskabel op dat in de tabel met het verwarmde oppervlak in m<sup>2</sup> geen rekening wordt gehouden met de kamergrootte. Bij de berekening van het verwarmde oppervlak moeten de niet-verwarmde zones, bijv. randzones en bedekte vlakken, van de kamergrootte worden afgetrokken.

## Verwarmingskabel

## Schlüter®-DITRA-HEAT-E-CHC



Schlüter-DITRA-HEAT-E-CHC is een elektrische verwarmingskabel met enkelzijdige aansluiting voor plaatsing in de ontkoppelingmat Schlüter-DITRA-HEAT. Met zijn vermogen van 7,5 W/m is de kabel voor bijv. energie-efficiënte gebouwen een slimme oplossing. (Productdatablad 6.6)



## Schlüter®-DITRA-HEAT-E-CHC

Dunbed-verwarmingskabel

| L (m)  | Vloer verwarmd 80 W/m <sup>2</sup> * | Wand verwarmd 120 W/m <sup>2</sup> ** | Watt | Art.-No.     | € / St. | P (st.) |
|--------|--------------------------------------|---------------------------------------|------|--------------|---------|---------|
|        | m <sup>2</sup>                       | m <sup>2</sup>                        |      |              |         |         |
| 4      | 0,4                                  | 0,25                                  | 30   | DH E CHC 4   | 125,15  | 10      |
| 6,76   | 0,6                                  | 0,43                                  | 51   | DH E CHC 6   | 132,95  | 10      |
| 12,07  | 1,1                                  | 0,7                                   | 91   | DH E CHC 12  | 205,30  | 10      |
| 17,66  | 1,6                                  | 1                                     | 132  | DH E CHC 17  | 242,74  | 10      |
| 23,77  | 2,2                                  | 1,5                                   | 178  | DH E CHC 23  | 270,49  | 10      |
| 29,87  | 2,7                                  | 1,8                                   | 224  | DH E CHC 29  | 319,06  | 10      |
| 35,97  | 3,3                                  | 2,2                                   | 270  | DH E CHC 35  | 367,58  | 10      |
| 41,56  | 3,8                                  | 2,6                                   | 312  | DH E CHC 41  | 409,18  | 10      |
| 47,67  | 4,4                                  | 2,9                                   | 358  | DH E CHC 47  | 468,86  | 10      |
| 53,77  | 5                                    | 3,3                                   | 403  | DH E CHC 53  | 520,20  | 10      |
| 59,87  | 5,5                                  | 3,7                                   | 449  | DH E CHC 59  | 554,86  | 10      |
| 71,57  | 6,6                                  | 4,4                                   | 537  | DH E CHC 71  | 638,07  | 10      |
| 83,77  | 7,7                                  | 5,1                                   | 628  | DH E CHC 83  | 749,06  | 10      |
| 95,47  | 8,8                                  | 5,9                                   | 716  | DH E CHC 95  | 853,07  | 10      |
| 107,67 | 10                                   | 6,6                                   | 808  | DH E CHC 107 | 936,32  | 10      |
| 136,16 | 12,7                                 | 8,4                                   | 1021 | DH E CHC 136 | 1122,34 | 10      |
| 164,07 | 15                                   | 10                                    | 1231 | DH E CHC 164 | 1342,48 | 10      |
| 192,27 | 17,7                                 | 11,8                                  | 1442 | DH E CHC 192 | 1570,71 | 10      |
| 216,27 | 20                                   | 13,2                                  | 1622 | DH E CHC 216 | 1765,39 | 10      |
| 244,37 | 22,7                                 | 15,1                                  | 1833 | DH E CHC 244 | 1980,18 | 10      |

\* geschikt voor vloer- en wandmontage \*\* alleen geschikt voor wandmontage

**Opmerking:**

Verwarmingskabels mogen niet worden ingekort.

Let er bij de keuze van de verwarmingskabel op dat in de tabel met het verwarmde oppervlak in m<sup>2</sup> geen rekening wordt gehouden met de kamergrootte. Bij de berekening van het verwarmde oppervlak moeten de niet-verwarmde zones, bijv. randzones en bedekte vlakken, van de kamergrootte worden afgetrokken.



## Thermostaat

### Schlüter®-DITRA-HEAT-E-R6



Schlüter-DITRA-HEAT-E-R6 is een all-in-one thermostaat met wifiverbinding en optionele spraakbesturing. Deze regelt de met Schlüter-DITRA-HEAT-E elektrisch verwarmde vloer- en wandbekledingen. Het apparaat wordt bediend via het 2" (5,1 cm) grote touchscreen-display, de Schlüter-HEAT-CONTROL app voor iOS en Android of via spraakbesturing met Amazon Alexa of Google Assistant. De thermostaat regelt naar keuze de oppervlakte- of kamertemperatuur volgens een tijdschema. Er is een reservesensor meegeleverd.

(Productdatablad 6.6)

#### Schlüter®-DITRA-HEAT-E-R6

Touchscreen thermostaat (230 V) met twee externe sensoren, wifi en spraakbesturingsfunctie

| Art.-No.       | € / Set       | P (set) |
|----------------|---------------|---------|
| DH E RT 6 / BW | <b>336,48</b> | 10      |
| DH E RT 6 / DA | <b>342,22</b> | 10      |

#### Beschikbare kleuren:



BW = zuiver wit

DA = donker antraciet

### Schlüter®-DITRA-HEAT-E-R



Schlüter-DITRA-HEAT-E-R is een thermostaat voor de regeling van de met Schlüter-DITRA-HEAT-E elektrisch verwarmde vloer- en wandbekledingen. Het apparaat wordt bediend via het 2" (5,1 cm) grote touchscreen-display. De thermostaat regelt naar keuze de oppervlakte- of kamertemperatuur volgens een tijdschema. Er is een reservesensor meegeleverd.

(Productdatablad 6.6)

#### Schlüter®-DITRA-HEAT-E-R

Touchscreen thermostaat (230 V) met twee externe sensoren

| Art.-No.       | € / Set       | P (set) |
|----------------|---------------|---------|
| DH E RT 2 / BW | <b>234,93</b> | 10      |
| DH E RT 2 / DA | <b>240,68</b> | 10      |

#### Beschikbare kleuren:



BW = zuiver wit

DA = donker antraciet

### Schlüter®-DITRA-HEAT-E-R3



Schlüter-DITRA-HEAT-E-R3 is een thermostaat voor de regeling van de met Schlüter-DITRA-HEAT-E elektrisch verwarmde vloer- en wandbekledingen. Hij wordt bediend via het 3,5" (8,9 cm) grote touchscreen-display. De thermostaat regelt naar keuze de oppervlakte- of kamertemperatuur volgens een tijdschema. Er is een reservesensor meegeleverd.

(Productdatablad 6.6)

#### Schlüter®-DITRA-HEAT-E-R3

Touchscreen thermostaat (230 V) met twee externe sensoren

| Art.-No.       | € / Set       | P (set) |
|----------------|---------------|---------|
| DH E RT 3 / BW | <b>312,12</b> | 10      |

## Thermostaat

### Schlüter®-DITRA-HEAT-E-R4



Schlüter-DITRA-HEAT-E-R4 is een analoge thermostaat voor de elektrische temperatuurregeling van vloer- en wandbekledingen met Schlüter-DITRA-HEAT-E. De gebruiksvriendelijke thermostaat beschikt over een aan-uitschakelaar en een draaischijf waarmee de gewenste temperatuur kan worden ingesteld. Er is een reservesensor meegeleverd.

(Productdatablad 6.6)

#### Schlüter®-DITRA-HEAT-E-R4

Thermostaat (230 V)  
met aan/uit schakelaar en twee externe sensoren

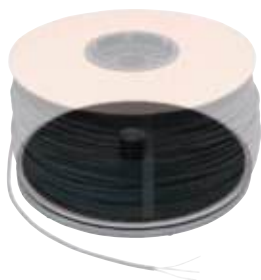
| Art.-No.       | € / Set | P (set) |
|----------------|---------|---------|
| DH E RT 4 / BW | 175,21  | 10      |

#### Opmerking:

Wanneer de externe sensor direct in de ontkoppelingmat Schlüter-DITRA-HEAT wordt gelegd, moet de meegeleverde reservesensor meteen mee worden geïnstalleerd.

## Afrolsysteem voor verwarmingskabel

### Schlüter®-DITRA-HEAT-E-KARO



Schlüter-DITRA-HEAT-E-KARO is een eenvoudig, transportvriendelijk hulpmiddel voor het efficiënt en probleemloos leggen van DITRA-HEAT-E-verwarmingskabels. Het is geschikt voor alle leverbare DITRA-HEAT-verwarmingskabel lengtes.

(Productdatablad 6.6)

#### Schlüter®-DITRA-HEAT-E-KARO

Afrolsysteem voor verwarmingskabel

| Art.-No. | € / St. | P (st.) |
|----------|---------|---------|
| DH ZK A  | 380,93  | 5       |

## Testgereedschap

### Schlüter®-DITRA-HEAT-E-CT



Schlüter-DITRA-HEAT-E-CT is een testapparaat voor de meting en controle van de weerstand van de elektrische verwarmingskabel Schlüter-DITRA-HEAT-E-HK en -CHC en de externe sensoren die bij de thermostaat Schlüter-DITRA-HEAT-E gevoegd zijn. Tijdens de hele inbouwfase bewaakt het apparaat de weerstand van de verwarmingskabels. In geval van schade wordt de verwerker door een akoestisch signaal gewaarschuwd.

(Productdatablad 6.6)

#### Schlüter®-DITRA-HEAT-E-CT

Kabeltester

| Art.-No. | € / St. | P (st.) |
|----------|---------|---------|
| DH E CT  | 40,08   | 10      |

## Montageset

### Schlüter®-DITRA-HEAT-E-ZS



Schlüter-DITRA-HEAT-E-ZS is een montageset die bestaat uit een mantelbuis (3 m), aansluitdoos en voelerhuls. Deze set kan worden gebruikt als u ervoor kiest om de externe sensor in de mantelbuis te monteren.

(Productdatablad 6.6)

#### Schlüter®-DITRA-HEAT-E-ZS

Montageset voor thermostaat

| Art.-No.  | € / Set | P (set) |
|-----------|---------|---------|
| DH E ZS 1 | 16,10   | 10      |



## Ontkoppeling | Verwarming



### Schlüter®-DITRA-HEAT-E-S



Schlüter-DITRA-HEAT-E-S zijn complete sets voor elektrische verwarming of temperatuurregeling van vloer- en wandbekledingen. Ze bevatten de ontkoppelingsmatten Schlüter-DITRA-HEAT-MA, de verwarmingskabel Schlüter-DITRA-HEAT-E-HK en de touchscreen thermostaat Schlüter-DITRA-HEAT-E-R of de touchscreen thermostaat DITRA-HEAT-E-R6 met wifi-functie en optionele spraakbesturing. Indien nodig kan het ontkoppelde oppervlak vergroot worden door het plaatsen van extra Schlüter-DITRA-HEAT-matten. (Productdatablad 6.4)

#### Alle sets bevatten:

- Schlüter-DITRA-HEAT-MA ontkoppelingsmatten, volgens tabel
- verwarmingskabel Schlüter-DITRA-HEAT-E-HK, volgens tabel (plaatsing elke 3de nop  $\triangleq$  136 W/m<sup>2</sup> / plaatsing elke 2de nop  $\triangleq$  200 W/m<sup>2</sup>)
- 1 touchscreen thermostaat Schlüter-DITRA-HEAT-E-R of touchscreen thermostaat DITRA-HEAT-E-R6 met wifi-functie en optionele spraakbesturing
- 2 aansluitdozen
- 1 mantelbuis (3 m)

### Schlüter®-DITRA-HEAT-E-S

Volledige set voor vloer en wand

| Schlüter®-DITRA-HEAT-MA |  | Schlüter®-DITRA-HEAT-E-HK              |     |  |     | Art.-No. | € / Set       | P (set) |
|-------------------------|--|--|-----|--|-----|----------|---------------|---------|
| Aantal matten           | Ontkoppeld oppervlak in m <sup>2</sup> | Vloer verwarmd, 136 W/m <sup>2</sup> * |     | Wand verwarmd, 200 W/m <sup>2</sup> ** |     |          |               |         |
|                         |  | m <sup>2</sup>                         | W   | m <sup>2</sup>                         | W   |          |               |         |
| 4                       | 3,1                                    | 2,2                                    | 300 | 1,5                                    | 300 | DH S3    | <b>571,13</b> | 9       |
| 7                       | 5,4                                    | 3,8                                    | 525 | 2,6                                    | 525 | DH S1    | <b>761,52</b> | 4       |
| 10                      | 7,8                                    | 5,5                                    | 750 | 3,7                                    | 750 | DH S2    | <b>945,32</b> | 4       |

### Schlüter®-DITRA-HEAT-E-S



Volledige set voor vloer en wand, met wifi en optionele spraakbesturing

| Schlüter®-DITRA-HEAT-MA |  | Schlüter®-DITRA-HEAT-E-HK              |     |  |     | Art.-No.  | € / Set       | P (set) |
|-------------------------|--|--|-----|--|-----|-----------|---------------|---------|
| Aantal matten           | Ontkoppeld oppervlak in m <sup>2</sup> | Vloer verwarmd, 136 W/m <sup>2</sup> * |     | Wand verwarmd, 200 W/m <sup>2</sup> ** |     |           |               |         |
|                         |  | m <sup>2</sup>                         | W   | m <sup>2</sup>                         | W   |           |               |         |
| 4                       | 3,1                                    | 2,2                                    | 300 | 1,5                                    | 300 | DH RT6 S3 | <b>602,27</b> | 9       |
| 7                       | 5,4                                    | 3,8                                    | 525 | 2,6                                    | 525 | DH RT6 S1 | <b>790,75</b> | 4       |
| 10                      | 7,8                                    | 5,5                                    | 750 | 3,7                                    | 750 | DH RT6 S2 | <b>975,37</b> | 4       |

\* geschikt voor vloer- en wandmontage \*\* alleen geschikt voor wandmontage

## Ontkoppeling | Verwarming



## Schlüter®-DITRA-HEAT-E-WS



Schlüter-DITRA-HEAT-E-WS zijn complete sets voor elektrische verwarming of temperatuurregeling van wandbekledingen. Ze bevatten de ont koppelingsmatten Schlüter-DITRA-HEAT-MA, de verwarmingskabel Schlüter-DITRA-HEAT-E-HK en de touchscreen thermostaat Schlüter-DITRA-HEAT-E-R of de touchscreen thermostaat DITRA-HEAT-E-R6 met wifi-functie en optionele spraakbesturing. Indien nodig kan het ont koppelde oppervlak vergroot worden door het plaatsen van extra Schlüter-DITRA-HEAT-matten.

(Productdatablad 6.4)

## Alle sets bevatten:

- Schlüter-DITRA-HEAT-MA ont koppelingsmatten, volgens tabel
- verwarmingskabel Schlüter-DITRA-HEAT-E-HK, volgens tabel (plaatsing elke 2de nop  $\Delta$  200 W/m<sup>2</sup>)
- 1 touchscreen thermostaat Schlüter-DITRA-HEAT-E-R of touchscreen thermostaat DITRA-HEAT-E-R6 met wifi-functie en optionele spraakbesturing
- 2 aansluitdozen
- 1 mantelbuis (3 m)

## Schlüter®-DITRA-HEAT-E-WS

Volledige set voor de wand

| Schlüter®-DITRA-HEAT-MA |  | Schlüter®-DITRA-HEAT-E-HK           |     | Art.-No. | € / Set       | P (set) |
|-------------------------|--|-------------------------------------|-----|----------|---------------|---------|
| Aantal matten           | Ontkoppeld oppervlak in m <sup>2</sup> | Wand verwarmd, 200 W/m <sup>2</sup> |     |          |               |         |
|                         |  | m <sup>2</sup>                      | W   |          |               |         |
| 3                       | 2,3                                    | 1,8                                 | 375 | DH WS2   | <b>610,53</b> | 9       |
| 4                       | 3,1                                    | 2,6                                 | 525 | DH WS1   | <b>722,12</b> | 9       |

## Schlüter®-DITRA-HEAT-E-WS



Volledige set voor de wand, met wifi en optionele spraakbesturing

| Schlüter®-DITRA-HEAT-MA |  | Schlüter®-DITRA-HEAT-E-HK           |     | Art.-No.   | € / Set       | P (set) |
|-------------------------|--|-------------------------------------|-----|------------|---------------|---------|
| Aantal matten           | Ontkoppeld oppervlak in m <sup>2</sup> | Wand verwarmd, 200 W/m <sup>2</sup> |     |            |               |         |
|                         |  | m <sup>2</sup>                      | W   |            |               |         |
| 3                       | 2,3                                    | 1,8                                 | 375 | DH RT6 WS2 | <b>639,71</b> | 9       |
| 4                       | 3,1                                    | 2,6                                 | 525 | DH RT6 WS1 | <b>752,03</b> | 9       |



## Ontkoppeling | Verwarming



### Schlüter®-DITRA-HEAT-E-DUO-S



Schlüter-DITRA-HEAT-E-DUO-S zijn complete sets voor elektrische verwarming of temperatuurregeling van vloer- en wandbekledingen. Ze bevatten de ontkoppelmatten Schlüter-DITRA-HEAT-DUO-MA (0,8 x 0,98 m), de verwarmingskabel Schlüter-DITRA-HEAT-E-HK en de touchscreen thermostaat Schlüter-DITRA-HEAT-E-R of de touchscreen thermostaat DITRA-HEAT-E-R6 met wifi-functie en optionele spraakbesturing. Door het speciale draagvlies zorgt de ontkoppelmatten voor minder contactgeluid en een snellere opwarming. Indien nodig kan het ontkoppelde oppervlak vergroot worden door het plaatsen van extra Schlüter-DITRA-HEAT-DUO-matten. (Productdatablad 6.4)

#### Alle sets bevatten:

- Schlüter-DITRA-HEAT-DUO-MA ontkoppelmatten, volgens tabel
- verwarmingskabel Schlüter-DITRA-HEAT-E-HK, volgens tabel (plaatsing elke 3de nop  $\Delta$  136 W/m<sup>2</sup> / plaatsing elke 2de nop  $\Delta$  200 W/m<sup>2</sup>)
- 1 touchscreen thermostaat Schlüter-DITRA-HEAT-E-R of touchscreen thermostaat DITRA-HEAT-E-R6 met wifi-functie en optionele spraakbesturing
- 2 aansluitdozen
- 1 mantelbuis (3 m)

### Schlüter®-DITRA-HEAT-E-DUO-S

Volledige set voor vloer en wand

| Schlüter®-DITRA-HEAT-DUO-MA |  | Schlüter®-DITRA-HEAT-E-HK              |     |  |     | Art.-No. | € / Set        | P (set) |
|-----------------------------|--|--|-----|--|-----|----------|----------------|---------|
| Aantal matten               | Ontkoppeld oppervlak in m <sup>2</sup> | Vloer verwarmd, 136 W/m <sup>2</sup> * |     | Wand verwarmd, 200 W/m <sup>2</sup> ** |     |          |                |         |
|                             |  | m <sup>2</sup>                         | W   | m <sup>2</sup>                         | W   |          |                |         |
| 2                           | 1,5                                    | 1,1                                    | 150 | 0,7                                    | 150 | DH D S1  | <b>508,12</b>  | 9       |
| 3                           | 2,3                                    | 1,6                                    | 225 | 1                                      | 225 | DH D S2  | <b>564,57</b>  | 9       |
| 4                           | 3,1                                    | 2,2                                    | 300 | 1,5                                    | 300 | DH D S3  | <b>610,53</b>  | 9       |
| 5                           | 3,9                                    | 2,7                                    | 375 | 1,8                                    | 375 | DH D S4  | <b>676,17</b>  | 8       |
| 6                           | 4,7                                    | 3,3                                    | 450 | 2,2                                    | 450 | DH D S5  | <b>741,80</b>  | 8       |
| 7                           | 5,4                                    | 3,8                                    | 525 | 2,6                                    | 525 | DH D S6  | <b>816,66</b>  | 5       |
| 8                           | 6,2                                    | 4,4                                    | 600 | 2,9                                    | 600 | DH D S7  | <b>882,31</b>  | 5       |
| 9                           | 7                                      | 5                                      | 675 | 3,3                                    | 675 | DH D S8  | <b>961,09</b>  | 4       |
| 10                          | 7,8                                    | 5,5                                    | 750 | 3,7                                    | 750 | DH D S9  | <b>1017,54</b> | 4       |

### Schlüter®-DITRA-HEAT-E-DUO-S



Volledige set voor vloer en wand, met wifi en optionele spraakbesturing

| Schlüter®-DITRA-HEAT-DUO-MA |  | Schlüter®-DITRA-HEAT-E-HK              |     |  |     | Art.-No.    | € / Set        | P (set) |
|-----------------------------|--|--|-----|--|-----|-------------|----------------|---------|
| Aantal matten               | Ontkoppeld oppervlak in m <sup>2</sup> | Vloer verwarmd, 136 W/m <sup>2</sup> * |     | Wand verwarmd, 200 W/m <sup>2</sup> ** |     |             |                |         |
|                             |  | m <sup>2</sup>                         | W   | m <sup>2</sup>                         | W   |             |                |         |
| 2                           | 1,5                                    | 1,1                                    | 150 | 0,7                                    | 150 | DH D RT6 S1 | <b>540,30</b>  | 9       |
| 3                           | 2,3                                    | 1,6                                    | 225 | 1                                      | 225 | DH D RT6 S2 | <b>594,52</b>  | 9       |
| 4                           | 3,1                                    | 2,2                                    | 300 | 1,5                                    | 300 | DH D RT6 S3 | <b>639,71</b>  | 9       |
| 5                           | 3,9                                    | 2,7                                    | 375 | 1,8                                    | 375 | DH D RT6 S4 | <b>705,56</b>  | 8       |
| 6                           | 4,7                                    | 3,3                                    | 450 | 2,2                                    | 450 | DH D RT6 S5 | <b>771,38</b>  | 8       |
| 7                           | 5,4                                    | 3,8                                    | 525 | 2,6                                    | 525 | DH D RT6 S6 | <b>846,27</b>  | 5       |
| 8                           | 6,2                                    | 4,4                                    | 600 | 2,9                                    | 600 | DH D RT6 S7 | <b>912,12</b>  | 5       |
| 9                           | 7                                      | 5                                      | 675 | 3,3                                    | 675 | DH D RT6 S8 | <b>990,87</b>  | 4       |
| 10                          | 7,8                                    | 5,5                                    | 750 | 3,7                                    | 750 | DH D RT6 S9 | <b>1050,24</b> | 4       |

\* geschikt voor vloer- en wandmontage \*\* alleen geschikt voor wandmontage

## Ontkoppeling | Verwarming



## Schlüter®-DITRA-HEAT-E-DUO-WS



Schlüter-DITRA-HEAT-E-DUO-WS zijn complete sets voor elektrische verwarming of temperatuurregeling van wandbekledingen. Ze bevatten de ontkoppelingsmatten Schlüter-DITRA-HEAT-DUO-MA (0,8 x 0,98 m), de verwarmingskabel Schlüter-DITRA-HEAT-E-HK en de touchscreen thermostaat Schlüter-DITRA-HEAT-E-R of de touchscreen thermostaat DITRA-HEAT-E-R6 met wifi-functie en optionele spraakbesturing. Door het speciale draagvlies zorgt de ontkoppelingmat voor een snellere opwarming. Indien nodig kan het ontkoppelde oppervlak vergroot worden door het plaatsen van extra Schlüter-DITRA-HEAT-DUO-matten. (Productdatablad 6.4)

## Alle sets bevatten:

- Schlüter-DITRA-HEAT-DUO-MA ontkoppelingsmatten, volgens tabel
- verwarmingskabel Schlüter-DITRA-HEAT-E-HK, volgens tabel (plaatsing elke 2de nop  $\Delta$  200 W/m<sup>2</sup>)
- 1 touchscreen thermostaat Schlüter-DITRA-HEAT-E-R of touchscreen thermostaat DITRA-HEAT-E-R6 met wifi-functie en optionele spraakbesturing
- 2 aansluitdozen
- 1 mantelbuis (3 m)

## Schlüter®-DITRA-HEAT-E-DUO-WS

Volledige set voor de wand

| Schlüter®-DITRA-HEAT-DUO-MA |  | Schlüter®-DITRA-HEAT-E-HK           |     | Art.-No. | € / Set       | P (set) |
|-----------------------------|--|-------------------------------------|-----|----------|---------------|---------|
| Aantal matten               | Ontkoppeld oppervlak in m <sup>2</sup> | Wand verwarmd, 200 W/m <sup>2</sup> |     |          |               |         |
|                             |  | m <sup>2</sup>                      | W   |          |               |         |
| 3                           | 2,3                                    | 1,8                                 | 375 | DH D S11 | <b>622,86</b> | 9       |
| 4                           | 3,1                                    | 2,6                                 | 525 | DH D S10 | <b>738,54</b> | 9       |

## Schlüter®-DITRA-HEAT-E-DUO-WS



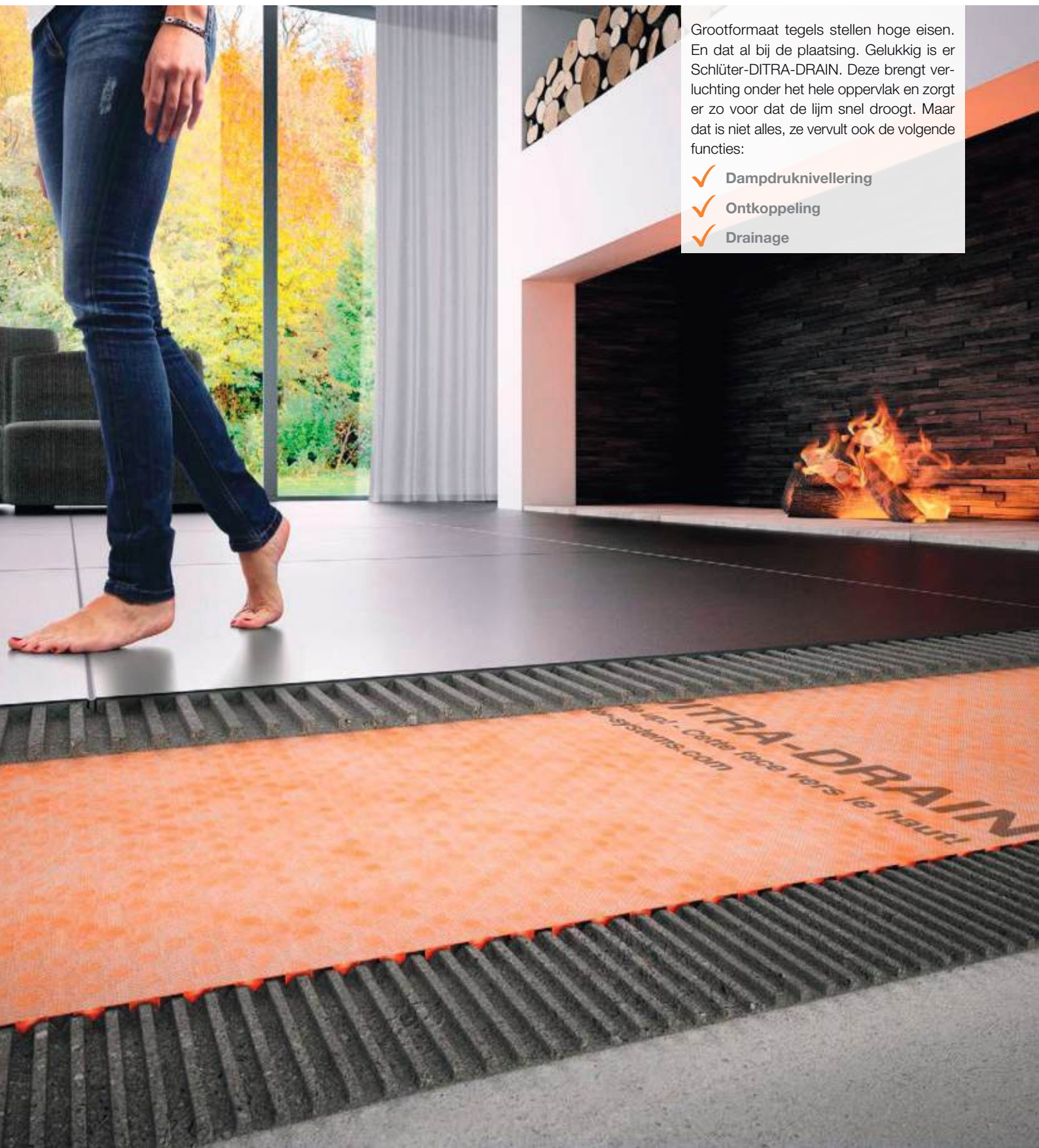
Volledige set voor de wand, met wifi en optionele spraakbesturing

| Schlüter®-DITRA-HEAT-DUO-MA |  | Schlüter®-DITRA-HEAT-E-HK           |     | Art.-No.     | € / Set       | P (set) |
|-----------------------------|--|-------------------------------------|-----|--------------|---------------|---------|
| Aantal matten               | Ontkoppeld oppervlak in m <sup>2</sup> | Wand verwarmd, 200 W/m <sup>2</sup> |     |              |               |         |
|                             |  | m <sup>2</sup>                      | W   |              |               |         |
| 3                           | 2,3                                    | 1,8                                 | 375 | DH D RT6 S11 | <b>652,61</b> | 9       |
| 4                           | 3,1                                    | 2,6                                 | 525 | DH D RT6 S10 | <b>768,80</b> | 9       |



# Schlüter®-DITRA-DRAIN

Als het iets groter mag zijn



Grootformaat tegels stellen hoge eisen. En dat al bij de plaatsing. Gelukkig is er Schlüter-DITRA-DRAIN. Deze brengt ventilatie onder het hele oppervlak en zorgt er zo voor dat de lijm snel droogt. Maar dat is niet alles, ze vervult ook de volgende functies:

- ✓ Dampdruk nivellering
- ✓ Ontkoppeling
- ✓ Drainage

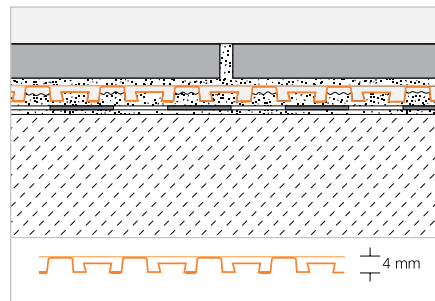
## Hechtende drainage

## Schlüter®-DITRA-DRAIN 4



Schlüter-DITRA-DRAIN 4 is een vormvaste polyethyleenfolie met aan de onderzijde een speciale noppenstructuur en aan de bovenzijde een opgelijmd filtervlies uit polypropyleen. Het vormt een universele ondergrond voor tegelbekleding als ontkoppellingslaag en duurzaam functionele, capillair passieve hechtende drainage.

(Productdatablad 6.2)



## Schlüter®-DITRA-DRAIN 4

Polyethyleen op rol

| L (m) | Breedte = 1,00 m<br>Art.-No. | € / m <sup>2</sup> | PL (rol) |
|-------|------------------------------|--------------------|----------|
| 10    | DITRA-DRAIN 10M              | 24,64              | 12       |
| 25    | DITRA-DRAIN 25M              | 22,23              | 6        |

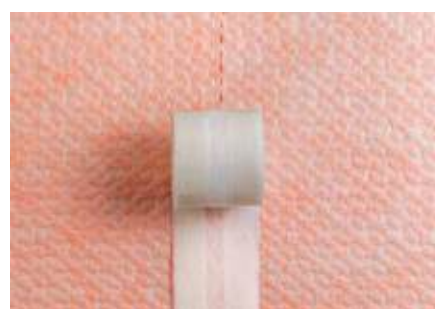
**Tip gereedschap:**

Schlüter-TROWEL, vertanding 6 x 6, zie pagina 338.

## Schlüter®-DITRA-DRAIN-STU

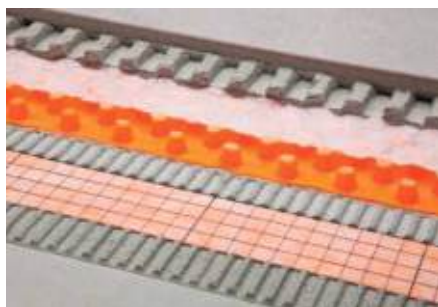
Zelfklevende naadafdekband

| L (m) | Breedte = 90 mm<br>Art.-No. | € / m | P (st.) |
|-------|-----------------------------|-------|---------|
| 5     | STUV KB 90/ 5M              | 8,31  | 10      |
| 30    | STUV KB 90/30M              | 7,35  | 10      |



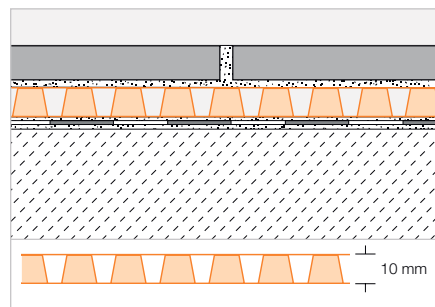
## Hechtende drainage

## Schlüter®-DITRA-DRAIN 8



Schlüter-DITRA-DRAIN 8 is een vormvaste polyethyleenfolie met een enkelzijdig uitgewerkte speciale noppenstructuur. Hij is aan de onderzijde voorzien van een vlies voor de verankering in de tegellijm en aan de bovenzijde van een speciaal filtervlies. Schlüter-DITRA-DRAIN 8 is een universele ondergrond voor tegelbekledingen als ontkoppellingslaag en duurzaam functionele, capillair passieve hechtende drainage.

(Productdatablad 6.2)



## Schlüter®-DITRA-DRAIN 8

Polyethyleen op rol

| L (m) | Breedte = 1,00 m<br>Art.-No. | € / m <sup>2</sup> | PL (rol) |
|-------|------------------------------|--------------------|----------|
| 12,5  | DITRA-DRAIN 8 12M            | 23,61              | 6        |

## Schlüter®-DITRA-DRAIN-STU

Zelfklevende naadafdekband

| L (m) | Breedte = 90 mm<br>Art.-No. | € / m | P (st.) |
|-------|-----------------------------|-------|---------|
| 5     | STUV KB 90/ 5M              | 8,31  | 10      |
| 30    | STUV KB 90/30M              | 7,35  | 10      |

**Tip gereedschap:**

Schlüter-TROWEL, vertanding 4 x 4, zie pagina 338.



# Schlüter®-DITRA-SOUND

## Contactgeluidsisolatie onder tegels



Geluiden die op de vloer ontstaan, leiden tot contactgeluid. Schlüter-DITRA-SOUND vermindert efficiënt het contactgeluid met max. 13 dB (A) bij renovaties. Dat stemt overeen met een vermindering van het ervaren contactgeluid met meer dan 50 %. De mat biedt de volgende eigenschappen:

- ✓ **Demping van het contactgeluid/omgevingsgeluid**
- ✓ **Barstoverbrugging**
- ✓ **Lastverdeling (lastopname)**

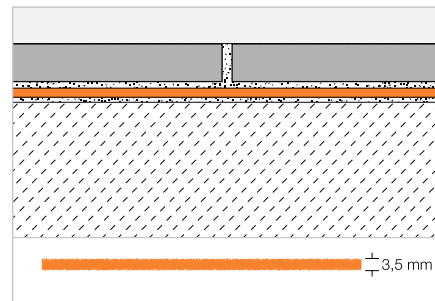
## Contactgeluidsisolatie

## Schlüter®-DITRA-SOUND



Schlüter-DITRA-SOUND is een zware mat op basis van polyethyleen, die aan de voor- en achterzijde voorzien is van een vlies voor de verankering in de tegellijm. Schlüter-DITRA-SOUND wordt in combinatie met tegelbekledingen gebruikt als hechtende contactgeluidsisolatie.

(Productdatablad 6.3)



## Schlüter®-DITRA-SOUND

PE-zware mat

| H (mm) | 55 x 75 cm = 0,41 m <sup>2</sup><br>Art.-No. | € /<br>Pakket | PL<br>(pakket) |
|--------|--|---------------|----------------|
| 3,5    | DITRA-S 355/5                                | 68,50         | 80             |

Pakket = 5 st.

**Tip gereedschap:**

Schlüter-TROWEL, vertanding 4 x 4,  
zie pagina 338.

## Schlüter®-DITRA-SOUND

PE-zware mat projectverpakking

| H (mm) | 55 x 75 cm = 0,41 m <sup>2</sup><br>Art.-No. | € / m <sup>2</sup> | PL (st.) |
|--------|--|--------------------|----------|
| 3,5    | DITRA-S 355 LV                               | 32,12              | 400      |

**Opmerking:**

Voor grote projecten is de projectverpakking DITRA-S 355 LV verkrijgbaar. Schlüter-DITRA-SOUND wordt dan zonder kartonverpakking geleverd, om het aantal verpakkingsmaterialen te reduceren.

## Naadafdekking | Randisolatiestrook



## Schlüter®-DITRA-SOUND-KB

Naadafdekband

| 38 mm x 50 m<br>Art.-No. | € / St. | P (st.) |
|--------------------------|---------|---------|
| DS KB 38                 | 17,21   | 10      |

## Schlüter®-DITRA-SOUND-RSK

Randisolatiestrook

| 6 x 30 mm x 10 m<br>Art.-No. | € / m | P (st.) |
|------------------------------|-------|---------|
| DS RSK 630                   | 1,63  | 20      |



# Schlüter<sup>®</sup>-REFLEECE

## Het praktische demontagevlies

Tentoonstellingen, beurzen, winkels: de toepassingsgebieden waarin vloerbekledingen vaak moeten worden vervangen, zijn divers. Daarbij speelt een eenvoudige demontage een belangrijke rol.

Schlüter-REFLEECE biedt hier een praktische oplossing. Het zelfhechtende vlies dient als plaatsingsondergrond voor tegels of natuursteen en vormt een scheiding tussen de tegellijm en de bestaande ondergrond. Op die manier blijven er bij het verwijderen geen resten achter terwijl de ondergrond niet wordt beschadigd. Schlüter-REFLEECE vermindert bovendien het contactgeluid met 9 dB (conform DIN EN ISO 10140) en bestaat uit gerecycleerde PET-flessen.

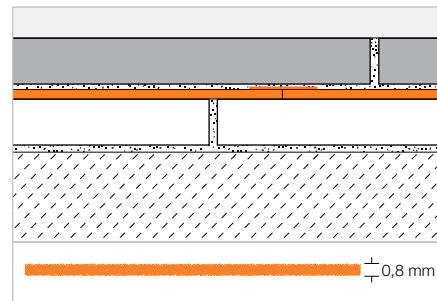


## Demontagevlies

**Schlüter®-REFLEECE**

Schlüter-REFLEECE is een vlies gemaakt van gerecycleerd PET-materiaal met aan de achterzijde een hechtlaag. Het is geschikt voor het leggen van tegels en natuursteen die later weer moeten worden verwijderd. De zelfhechtende achterzijde kan bij het verwijderen eenvoudig van de ondergrond worden losgemaakt en veroorzaakt geen schade aan deze ondergrond.

(Productdatablad 20.1)

**Schlüter®-REFLEECE**

PET op rol

| 1 m x 30 m<br>Art.-No. | € / m <sup>2</sup> | PL (rol) |
|------------------------|--------------------|----------|
| REFL 30M               | 19,25              | 6        |

**Schlüter®-DITRA-SOUND-KB**

Naadafdekband

| 38 mm x 50 m<br>Art.-No. | € / St. | P (st.) |
|--------------------------|---------|---------|
| DS KB 38                 | 17,21   | 10      |





# Schlüter®-KERDI

Afdichten tegen de wand en op de vloer,  
afwatering, planchet

Schlüter-KERDI is een afdichtingsmat in combinatie met de tegelbekleding. Met het praktische snijraster is dit product zeer eenvoudig te verwerken. Schlüter-KERDI wordt als totaalsysteem aangevuld met afdichtingsbanden, hoeken en buismanchetten. Met de afdichtingslijm Schlüter-KERDI-COLL voor naad- en aansluitverlijmingen beschikt u over een volledige afdichting uit één hand. Voor de afwatering worden de bodemafoersystemen Schlüter-KERDI-DRAIN of Schlüter-KERDI-LINE gebruikt; het modulaire Schlüter-KERDI-SHOWER-systeem wordt gebruikt voor de realisatie van inlopdouches.





## Schlüter®-KERDI

|                   |         |
|-------------------|---------|
| Contactafdichting | 180–182 |
| Toebehoren        | 183–188 |

## Schlüter®-KERDI-LINE

|                                       |                  |
|---------------------------------------|------------------|
| Elegante afwatering                   | 189              |
| KERDI-LINE designs                    | 191, 201         |
| Doucheprofiel                         | 192–197          |
| Douchegoot                            | 202–215, 218–220 |
| Complete sets – lineaire inloopdouche | 221              |
| Toebehoren                            | 198, 216–217     |

## Schlüter®-KERDI-DRAIN

|   |         |
|---|---------|
| Centrale afwatering in binnentoepassing | 231     |
| KERDI-DRAIN designs                     | 233     |
| Centraal afvoerpunt                     | 234–243 |
| Afwateringssets                         | 248     |
| Toebehoren                              | 244–247 |

## Schlüter®-KERDI-SHOWER

|                                 |         |
|---------------------------------|---------|
| Hellingsplaten voor KERDI-LINE  | 222–223 |
| Hellingsplaten voor KERDI-DRAIN | 250–251 |
| Afdichtingssets                 | 249     |

## Schlüter®-SHOWERPROFILE

|                              |         |
|------------------------------|---------|
| Afschotprofiel               | 224–225 |
| Profielen voor inloopdouches | 226–230 |

## Schlüter®-DESIGN-NICHE

|     |     |
|-----|-----|
| Nis | 253 |
|-----|-----|

## Schlüter®-SHELF

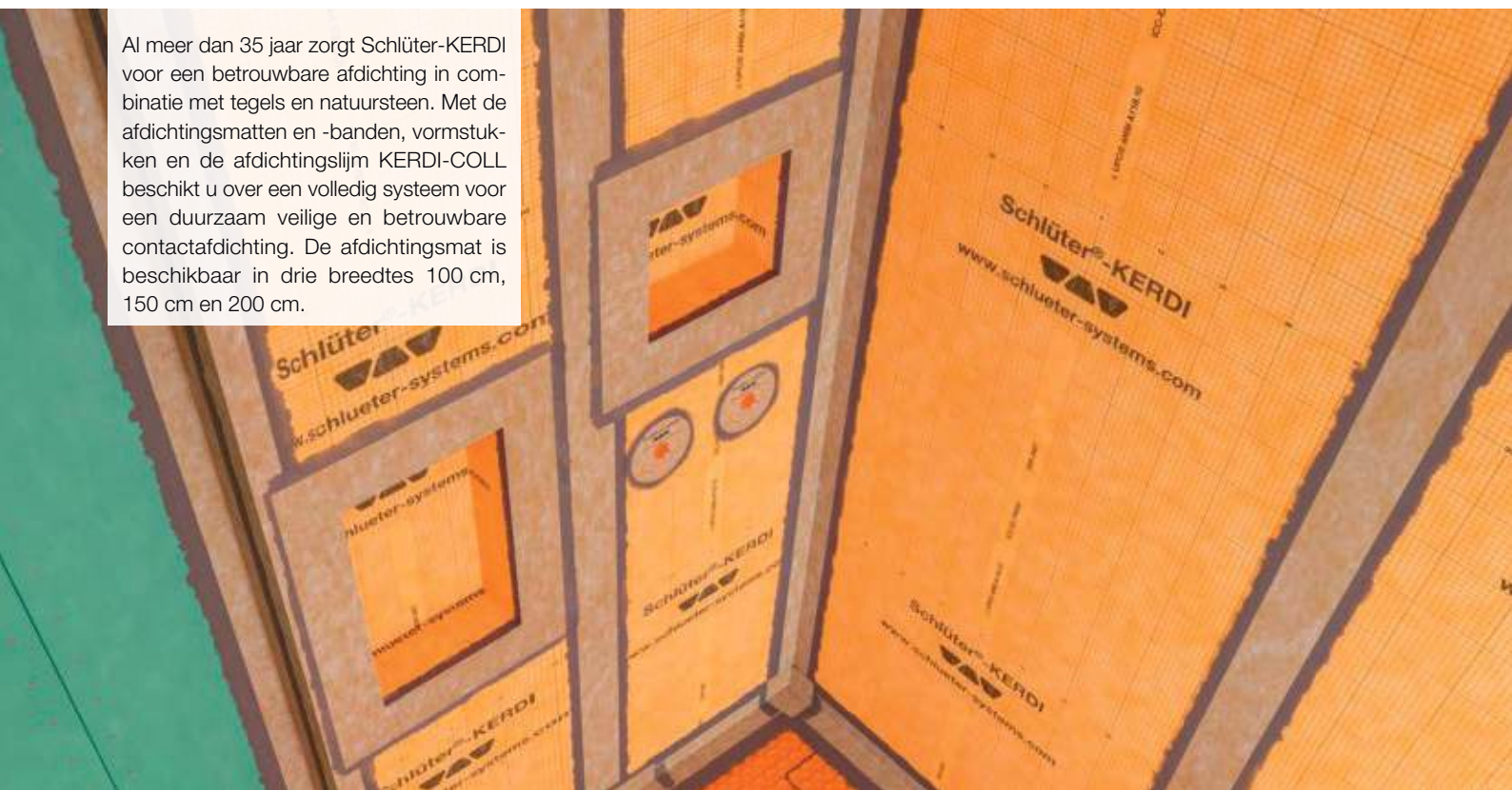
|             |         |
|-------------|---------|
| Planchetten | 254–263 |
|-------------|---------|



# Schlüter®-KERDI

## De betrouwbare contactafdichting

Al meer dan 35 jaar zorgt Schlüter-KERDI voor een betrouwbare afdichting in combinatie met tegels en natuursteen. Met de afdichtingsmatten en -banden, vormstukken en de afdichtingslijm KERDI-COLL beschikt u over een volledig systeem voor een duurzaam veilige en betrouwbare contactafdichting. De afdichtingsmat is beschikbaar in drie breedtes 100 cm, 150 cm en 200 cm.

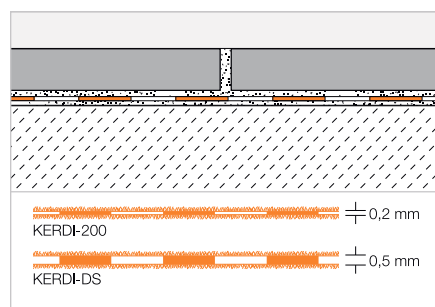


### Contactafdichting

## Schlüter®-KERDI



Schlüter-KERDI is een polyethyleen afdichtingsmat die voor de verankering in de tegellijm aan beide zijden van een vliesweefsel is voorzien. Deze mat is uitstekend geschikt voor contactafdichtingen in combinatie met tegels op wanden en vloeren. Schlüter-KERDI-DS is door zijn grote waterdampdifusieweerstand geschikt als damp scherm in combinatie met de tegelbekleding. (Productdatablad 8.1)



### Schlüter®-KERDI 200

Polyethyleen op rol

| L (m)                   | m <sup>2</sup> | Breedte = 1,00 m<br>Art.-No. | € / m <sup>2</sup> | PL (rol) |
|-------------------------|----------------|------------------------------|--------------------|----------|
| 5                       | 5              | KERDI 200 / 5M               | <b>24,37</b>       | 75       |
| 10                      | 10             | KERDI 200 / 10M              | <b>22,00</b>       | 50       |
| 30                      | 30             | KERDI 200                    | <b>20,02</b>       | 20       |
| <b>Breedte = 1,50 m</b> |                |                              |                    |          |
| 20                      | 30             | KERDI 200 150 / 20M          | <b>20,02</b>       | 20       |
| <b>Breedte = 2,00 m</b> |                |                              |                    |          |
| 15                      | 30             | KERDI 200 200 / 15M          | <b>20,02</b>       | 20       |

### Schlüter®-KERDI-DS

Polyethyleen-dampscherm, op rol

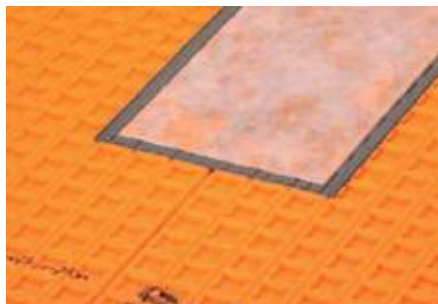
| L (m) | Breedte = 1,00 m<br>Art.-No. | € / m <sup>2</sup> | PL (rol) |
|-------|------------------------------|--------------------|----------|
| 30    | KERDI-DS                     | <b>23,12</b>       | 25       |

### Tip gereedschap:

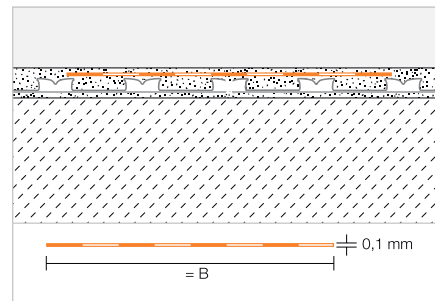
Schlüter-TROWEL, vertanding 4 x 4, zie pagina 338.

## Afdichtingsband

## Schlüter®-KERDI-KEBA



Schlüter-KERDI-KEBA zijn afdichtingsbanden uit polyethyleen, die aan beide zijden zijn voorzien van een vliesweefsel, voor het afdichten van stootnaden en wand-vloeraansluitingen. (Productdatablad 8.1)



## Schlüter®-KERDI-KEBA

Polyethyleen op rol

| B (mm) | Rol = 30 m<br>Art.-No. | € / m       | PL (rol) |
|--------|------------------------|-------------|----------|
| 85     | KEBA 100 / 85          | <b>2,73</b> | 336      |
| 125    | KEBA 100 / 125         | <b>4,09</b> | 210      |
| 150    | KEBA 100 / 150         | <b>4,33</b> | 210      |
| 185    | KEBA 100 / 185         | <b>5,61</b> | 168      |
| 250    | KEBA 100 / 250         | <b>7,26</b> | 126      |

## Schlüter®-KERDI-KEBA/5M

Polyethyleen op rol

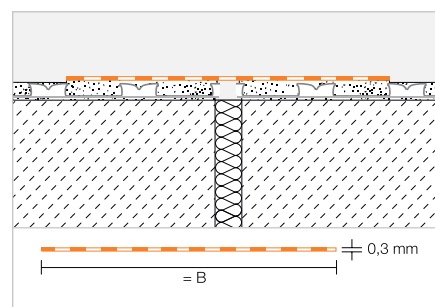
| B (mm) | Rol = 5 m<br>Art.-No. | € / m       | P (rol) |
|--------|-----------------------|-------------|---------|
| 85     | KEBA 100 / 85 / 5M    | <b>3,84</b> | 10      |
| 125    | KEBA 100 / 125 / 5M   | <b>5,11</b> | 10      |
| 150    | KEBA 100 / 150 / 5M   | <b>5,49</b> | 10      |
| 185    | KEBA 100 / 185 / 5M   | <b>6,68</b> | 10      |
| 250    | KEBA 100 / 250 / 5M   | <b>8,38</b> | 10      |

## Afdichtingsband

## Schlüter®-KERDI-FLEX



Schlüter-KERDI-FLEX is een flexibele afdichtingsband voor het afdichten van bewegingsvoegen. (Productdatablad 8.1)



## Schlüter®-KERDI-FLEX

Polyethyleen op rol

| B (mm) | Rol = 30 m<br>Art.-No. | € / m        | PL (rol) |
|--------|------------------------|--------------|----------|
| 125    | FLEX 125 / 30          | <b>6,97</b>  | 210      |
| 250    | FLEX 250 / 30          | <b>12,68</b> | 126      |

## Schlüter®-KERDI-FLEX/5M

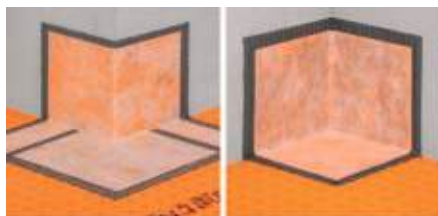
Polyethyleen op rol

| B (mm) | Rol = 5 m<br>Art.-No. | € / m        | P (rol) |
|--------|-----------------------|--------------|---------|
| 125    | FLEX 125 / 5M         | <b>9,07</b>  | 10      |
| 250    | FLEX 250 / 5M         | <b>14,69</b> | 10      |



## Hoekafdichting

### Schlüter®-KERDI-KERECK



Schlüter-KERDI-KERECK zijn pasvormen voor het maken van binnen- en buitenhoeken, die ook voor niet-rechte hoeken geschikt zijn. (Productdatablad 8.1)

#### Schlüter®-KERDI-KERECK/A

Buitenhoeken, pasvorm

| Dikte (mm) | Pakket = 5 st. Art.-No. | € / Pakket | P (pakket) |
|------------|-------------------------|------------|------------|
| 0,1        | KERECK 5 A              | 28,79      | 10         |

#### Schlüter®-KERDI-KERECK/I

Binnenhoeken, pasvorm

| Dikte (mm) | Pakket = 5 st. Art.-No. | € / Pakket | P (pakket) |
|------------|-------------------------|------------|------------|
| 0,1        | KERECK 5 I              | 24,69      | 10         |

## Hoekafdichting

### Schlüter®-KERDI-KERECK-F



Schlüter-KERDI-KERECK-F zijn voor gevormde elementen voor binnen- en buitenhoeken. (Productdatablad 8.1)

#### Schlüter®-KERDI-KERECK-F/A

Buitenhoeken 90°, voorgevormd

| Dikte (mm) | Pakket = 2 st. Art.-No. | € / Pakket | P (pakket) |
|------------|-------------------------|------------|------------|
| 0,1        | KERECK / FA2            | 23,01      | 10         |
|            | Pakket = 10 st.         |            |            |
| 0,1        | KERECK / FA10           | 97,07      | 10         |
|            | Pakket = 50 st.         |            |            |
| 0,1        | KERECK / FA50           | 428,02     | 10         |

#### Schlüter®-KERDI-KERECK-F/I

Binnenhoeken 90°, voorgevormd

| Dikte (mm) | Pakket = 2 st. Art.-No. | € / Pakket | P (pakket) |
|------------|-------------------------|------------|------------|
| 0,1        | KERECK / FI2            | 19,66      | 10         |
|            | Pakket = 10 st.         |            |            |
| 0,1        | KERECK / FI10           | 80,62      | 10         |
|            | Pakket = 50 st.         |            |            |
| 0,1        | KERECK / FI50           | 376,35     | 10         |

#### Schlüter®-KERDI-KERECK-F/I 135°

Binnenhoeken 135°, voorgevormd

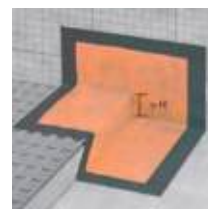
| Dikte (mm) | Pakket = 2 st. Art.-No. | € / Pakket | P (pakket) |
|------------|-------------------------|------------|------------|
| 0,1        | KERECK 135 FI2          | 23,30      | 10         |

## Hoekafdichting

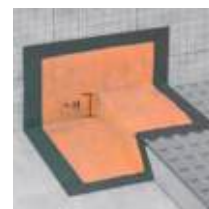
### Schlüter®-KERDI-KERS



Schlüter-KERDI-KERS zijn voorgevormde elementen voor een betrouwbare afdichting aan de hoeken van inlopdouches. (Productdatablad 8.1)



Schlüter-KERDI-KERS links



Schlüter-KERDI-KERS rechts

#### Schlüter®-KERDI-KERS

Binnenhoek voorgevormd, links

| H (mm) | Art.-No.  | € / St. | P (st.) |
|--------|-----------|---------|---------|
| 20     | KERS 20 L | 15,85   | 10      |
| 28     | KERS 28 L | 15,85   | 10      |

#### Schlüter®-KERDI-KERS

Binnenhoek voorgevormd, rechts

| H (mm) | Art.-No.  | € / St. | P (st.) |
|--------|-----------|---------|---------|
| 20     | KERS 20 R | 15,85   | 10      |
| 28     | KERS 28 R | 15,85   | 10      |

#### Opmerking:

De Schlüter-KERDI-KERS 20 producten zijn geschikt voor douches met een zijlengte van 80 tot 110 cm.

De Schlüter-KERDI-KERS 28 producten zijn geschikt voor douches met een zijlengte van 110 tot 150 cm.

## Afdichtingsmanchet

## Schlüter®-KERDI-MV

Schlüter-KERDI-MV zijn voorgevormde manchetten om buisdoorvoeringen af te dichten conform DIN 18534. Door de flexibele zone kunnen de manchetten voor verschillende buisdiameters worden gebruikt (zie tabel).

(Productdatablad 8.1)

## Schlüter®-KERDI-MV

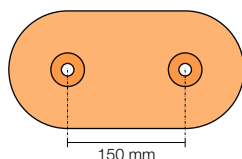
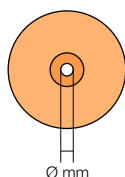
Manchet met flexibele zone (inhoud: 1 stuk)

| Ø mm | Voor buisdiameter (mm) | Art.-No. | € / St.      | P (st.) |
|------|------------------------|----------|--------------|---------|
| 9    | 12–30                  | KMV 9    | <b>10,20</b> | 10      |
| 15   | 22–40                  | KMV 15   | <b>10,20</b> | 10      |
| 21   | 30–60                  | KMV 21   | <b>11,35</b> | 10      |
| 35   | 45–80                  | KMV 35   | <b>12,11</b> | 10      |
| 65   | 75–140                 | KMV 65   | <b>15,30</b> | 10      |
| 15   | 22–40                  | KMV 15 D | <b>18,30</b> | 10      |

## Schlüter®-KERDI-MV

Manchet met flexibele zone (inhoud: 10 stuks)

| Ø mm | Voor buisdiameter (mm) | Art.-No.    | € / Pakket    | P (pakket) |
|------|------------------------|-------------|---------------|------------|
| 15   | 22–40                  | KMV 15/10   | <b>81,92</b>  | 10         |
| 15   | 22–40                  | KMV 15 D/10 | <b>150,45</b> | 10         |



KMV 9



KMV 15



KMV 21



KMV 35



KMV 65



KMV 15 D\*

\* H.o.h. afstand 150 mm

## Afdichtingsmanchet

## Schlüter®-KERDI-PAS

Schlüter-KERDI-PAS zijn sets die bestaan uit een voorgevormde manchet en een speciale kunststof huls. De manchet wordt in combinatie met de kunststof huls aangebracht, zodat de later geplaatste kraanverlenging correct volgens DIN 18534 kan worden afdicht.

(Productdatablad 8.1)

## Schlüter®-KERDI-PAS

Set met manchet en verwerkingshulp (inhoud: 1 set)

| Ø mm | Voor buisdiameter (mm) | Art.-No.     | € / Set      | P (set) |
|------|------------------------|--------------|--------------|---------|
| 15   | 22–40                  | KMV 15 PAS   | <b>12,44</b> | 10      |
| 15   | 22–40                  | KMV 15 D PAS | <b>21,36</b> | 10      |

## Schlüter®-KERDI-PAS

Set met manchet en verwerkingshulp (inhoud: 10 sets)

| Ø mm | Voor buisdiameter (mm) | Art.-No.        | € / Pakket    | P (pakket) |
|------|------------------------|-----------------|---------------|------------|
| 15   | 22–40                  | KMV 15 PAS/10   | <b>99,77</b>  | 10         |
| 15   | 22–40                  | KMV 15 D PAS/10 | <b>168,62</b> | 10         |



KMV 15 PAS



KMV 15 D PAS\*

\* H.o.h. afstand 150 mm



## Afdichtingsmanchet

### Schlüter®-KERDI-KM



Schlüter-KERDI-KM zijn voorgevormde manchetten om buisdoorvoeringen af te dichten conform DIN 18534.  
(Productdatablad 8.1)

### Schlüter®-KERDI-KM

Buismanchet Ø = 22 mm voor 25 mm buis

| Dikte (mm) | Pakket = 5 st.<br>Art.-No. | € /<br>Pakket | P<br>(pakket) |
|------------|----------------------------|---------------|---------------|
| 0,1        | KM 5117 / 22               | 10,05         | 10            |

# Schlüter®-KERDI-CID

## Normconforme deuropeningen

De voorschriften voor afdichting van binnenruimten vereisen de bescherming van aangrenzende, niet-afgedichte ruimten tegen het water vanuit natte ruimten, ook in de deuropeningen. Schlüter-KERDI-CID sets zorgen voor een capillaire onderbreking van deuropeningen in verschillende richtingen.

De voordelen:

- ✓ Zekerheid in systeem
- ✓ Beproefd afsluitprofiel in roestvast staal
- ✓ Sets inclusief vormstukken



Set 1



Set 2

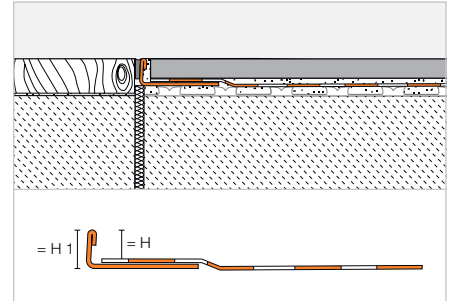
## Aansluitingsset

## Schlüter®-KERDI-CID



Schlüter-KERDI-CID zijn aansluitingssets voor een capillaire onderbreking op de vloer in deuropeningen volgens DIN 18534. Er zijn verschillende uitvoeringssets, afhankelijk van de openingsrichting van de deur. Set-componenten bevatten een Schlüter-SCHIENE-E met een vast verlijmd KERDI-KEBA afdichtingsband en bijbehorende KERDI-KERECK vormstukken. Het profiel kan individueel op de desbetreffende deurbreedte worden ingekort. De componenten worden met KERDI-COLL afdichtingslijm verlijmd (niet bij de set inbegrepen).

(Productdatablad 8.11)



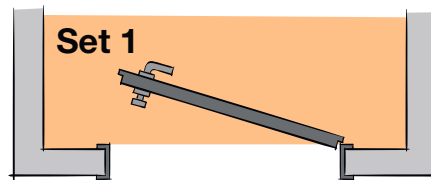
## Schlüter®-KERDI-CID

SCHIENE-E V4A met polyethyleen dichtingsband (Set 1), lengte: 1,15 m

| H (mm) | H1 (mm) | Art.-No.      | € / Set      | P (set) |
|--------|---------|---------------|--------------|---------|
| 10     | 12      | KCID E 110 S1 | <b>73,60</b> | 10      |
| 12     | 14      | KCID E 125 S1 | <b>73,60</b> | 10      |
| 14     | 16      | KCID E 150 S1 | <b>73,60</b> | 10      |

## De set bevat:

- 1 x Schlüter-SCHIENE-E V4A met dichtingsband
- 1 x 2 KERDI-KERECK-SD hoeken (rechts + links)



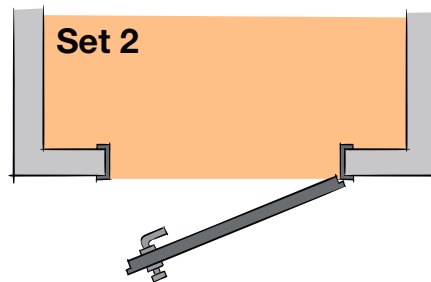
## Schlüter®-KERDI-CID

SCHIENE-E V4A met polyethyleen dichtingsband (Set 2), lengte: 1,15 m

| H (mm) | H1 (mm) | Art.-No.      | € / Set      | P (set) |
|--------|---------|---------------|--------------|---------|
| 10     | 12      | KCID E 110 S2 | <b>75,68</b> | 10      |
| 12     | 14      | KCID E 125 S2 | <b>75,68</b> | 10      |
| 14     | 16      | KCID E 150 S2 | <b>75,68</b> | 10      |

## De set bevat:

- 1 x Schlüter-SCHIENE-E V4A met dichtingsband
- 2 x 2 KERDI-KERECK hoeken (buiten-/binnenhoek)



## Hoekafdichting

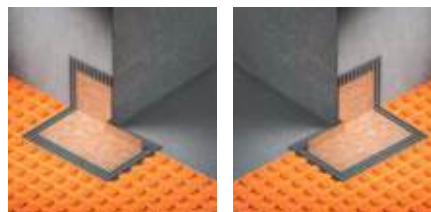
## Schlüter®-KERDI-KERECK-SD

Buitenhoek 90°, voorgevormd, links-/rechtsdraaiende deur

| Dikte (mm) | Set = 2 St.<br>Art.-No. | € / Set      | P (set) |
|------------|-------------------------|--------------|---------|
| 0,1        | KERECK / SD             | <b>29,23</b> | 10      |

## Opmerking:

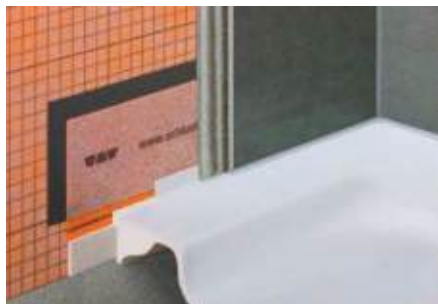
De handleiding voor Schlüter-KERDI-CID vindt u bij het downloadgedeelte.



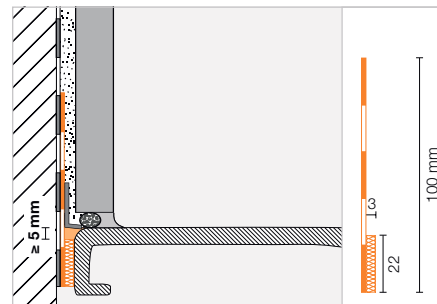


## Afdichtingsset

### Schlüter®-KERDI-TS



Schlüter-KERDI-TS is een set voor de betrouwbare aansluiting van inbouwelementen zoals een bad of douchebak uit staal/email, acryl of composiet (conform DIN 18534-1) aan het Schlüter-KERDI afdichtingssysteem. De set omvat een aansluit-dichtingsband van polyethyleen met aan beide zijden een vliesweefsel, een zelfklevende geluidsisolatiestrip en installatiemateriaal. (Productdatablad 8.9)



#### Schlüter®-KERDI-TS

Complete aansluitingsset

| L (m) | Art.-No.    | € / Set       | P (set) |
|-------|-------------|---------------|---------|
| 2     | KE TS / 200 | <b>91,75</b>  | 10      |
| 2,8   | KE TS / 280 | <b>110,88</b> | 10      |
| 3,8   | KE TS / 380 | <b>130,69</b> | 10      |

#### De complete set bevat:

- 2 / 2,8 / 3,8 m aansluit-dichtingsband
- 290 ml montagelijm Schlüter-KERDI-FIX
- 2 reinigungsdoeken
- 1 / 2 / 2 montagehoek(en)



#### Schlüter®-KERDI-TSB

Basis aansluitingsset

| L (m) | Art.-No.      | € / Set       | P (set) |
|-------|---------------|---------------|---------|
| 10    | KE TSB / 1000 | <b>212,38</b> | 10      |

#### De basis set bevat:

- 10 m aansluit-dichtingsband
- 8 reinigungsdoeken
- 6 montagehoeken



## Afdichtingsset

## Schlüter®-KERDI-TS-ZC

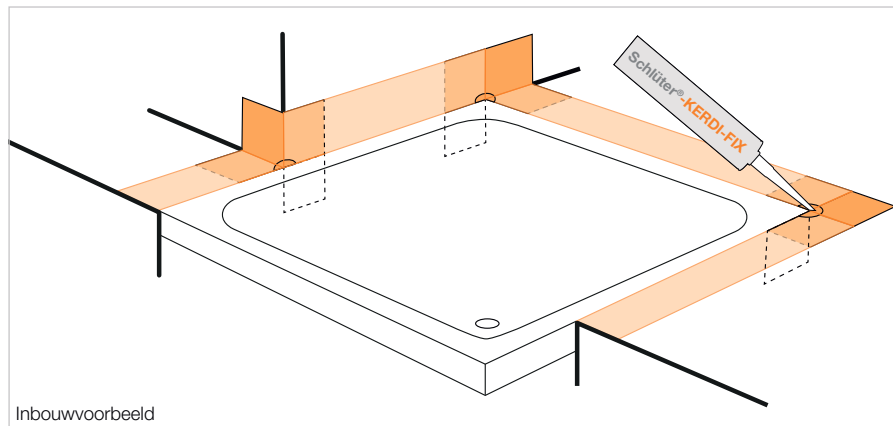


Schlüter-KERDI-TS-ZC is een uitbreidingsset voor de betrouwbare aansluiting van inbouwelementen zoals een bad of douchebak in speciale inbouwsituaties (zie schets) in combinatie met de Schlüter-KERDI-TS-aansluitingsset. De set omvat een afdichtingsmanchet en een montagehoek.  
(Productdatablad 8.9)

## Schlüter®-KERDI-TS-ZC

## Uitbreidingsset

| Art.-No. | € / Set | P (set) |
|----------|---------|---------|
| KE TS ZC | 13,12   | 10      |



## De uitbreidingsset bevat de volgende elementen:

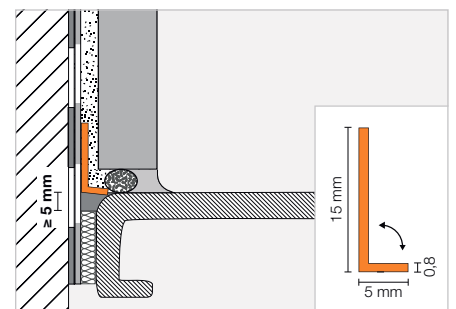
- 1 PE manchet, aan weerszijden met vlies bekleed, 120 x 120 mm
- 1 montagehoek

## Snijbescherming

## Schlüter®-KERDI-CP



Schlüter-KERDI-CP is een inkortbare snijbescherming die het afdichtingsvlak beschermt bij latere vernieuwing van de siliconenvoeg. Het knikbare profiel is individueel inzetbaar en kan direct in het lijmbed of in de vers aangebrachte Schlüter-KERDI-FIX worden geplaatst.  
(Productdatablad 8.9)



## Schlüter®-KERDI-CP

## Polypropyleen snijbescherming

| L (m) | Art.-No.     | € / St. | P (st.) |
|-------|--------------|---------|---------|
| 2     | KE CP / 200  | 10,50   | 10      |
| 2,8   | KE CP / 280  | 14,52   | 10      |
| 3,8   | KE CP / 380  | 19,16   | 10      |
| 10    | KE CP / 1000 | 42,24   | 10      |





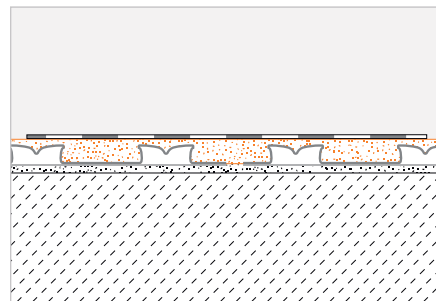
## Afdichtingslijm

### Schlüter®-KERDI-COLL-L



Schlüter-KERDI-COLL-L is een tweecomponenten afdichtingslijm op basis van een oplosmiddelvrije acrylaatdispersie en een reactief poeder van het cementtype. Deze lijm is bedoeld om overlappingen van Schlüter-KERDI-stroken vast te lijmen en af te dichten. Voorts kan met KERDI-COLL-L de naad- en aansluitverbinding gebeuren van de afdichtingsbanden Schlüter-KERDI-KEBA op contactafdichtingen met geschikte producten van Schlüter-Systems, alsook op Schlüter-BARA-randprofielen.

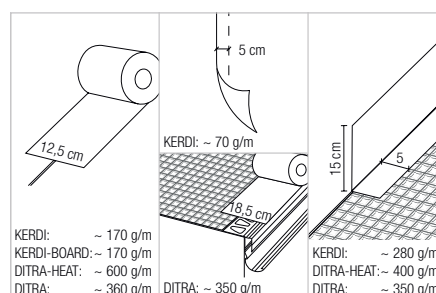
(Productdatablad 8.4)



#### Schlüter®-KERDI-COLL-L

2-componenten afdichtingslijm

| Gewicht (kg) | Art.-No.         | € / kg | PL (st.) |
|--------------|------------------|--------|----------|
| 1,85         | KERDI-COLL-L 185 | 15,46  | 110      |
| 4,25         | KERDI-COLL-L     | 12,73  | 72       |



## Montagelijm

### Schlüter®-KERDI-FIX



Schlüter-KERDI-FIX is een elastische montagelijm op basis van een MS-polymeer. Het is geschikt om profielen en Schlüter-KERDI-BOARD te verlijmen, alsook de aansluitingen van de Schlüter-KERDI-afdichtingsbanden af te dichten.

(Productdatablad 8.3)



#### Schlüter®-KERDI-FIX

MS-polymeer

| Inhoud (ml) | Art.-No.      | € / St. | P (st.) |
|-------------|---------------|---------|---------|
| 290         | KERDIFIX / BW | 24,29   | 12      |
| 290         | KERDIFIX / G  | 24,29   | 12      |



# Schlüter®-KERDI-LINE

## Elegante afwatering



### Doucheprofiel

#### Schlüter®-KERDI-LINE-VARIO

##### Afvoer

|                                 |     |
|---------------------------------|-----|
| Schlüter®-KERDI-LINE-VARIO-H 40 | 192 |
| Schlüter®-KERDI-LINE-VARIO-H 50 | 193 |

##### Afwateringsprofielen

|                                 |         |
|---------------------------------|---------|
| Schlüter®-KERDI-LINE-VARIO WAVE | 194–195 |
| Schlüter®-KERDI-LINE-VARIO COVE | 196–197 |

|            |     |
|------------|-----|
| Toebehoren | 198 |
|------------|-----|

### Douchegoot

#### Schlüter®-KERDI-LINE

##### Afvoer

|                              |         |
|------------------------------|---------|
| Schlüter®-KERDI-LINE-F 40    | 202     |
| Schlüter®-KERDI-LINE-F 50    | 203     |
| Schlüter®-KERDI-LINE-H       | 204     |
| Schlüter®-KERDI-LINE-H 50 G2 | 205     |
| Schlüter®-KERDI-LINE-V       | 206–207 |
| Schlüter®-KERDI-LINE-V 50 G2 | 208     |

##### Rooster-/framecombinatie

|                              |         |
|------------------------------|---------|
| Schlüter®-KERDI-LINE-STYLE   | 209     |
| Schlüter®-KERDI-LINE-AV-B/-C | 211–213 |
| Schlüter®-KERDI-LINE-D       | 215     |

|            |              |
|------------|--------------|
| Toebehoren | 214, 216–217 |
|------------|--------------|

#### Schlüter®-KERDI-LINE-G3

##### Afvoer

|                         |         |
|-------------------------|---------|
| Schlüter®-KERDI-LINE-G3 | 218–219 |
|-------------------------|---------|

##### Rooster-/framecombinatie

|                            |         |
|----------------------------|---------|
| Schlüter®-KERDI-LINE-STYLE | 209     |
| Schlüter®-KERDI-LINE-AV-B  | 211–213 |
| Schlüter®-KERDI-LINE-D-G3  | 220     |

|            |          |
|------------|----------|
| Toebehoren | 214, 220 |
|------------|----------|

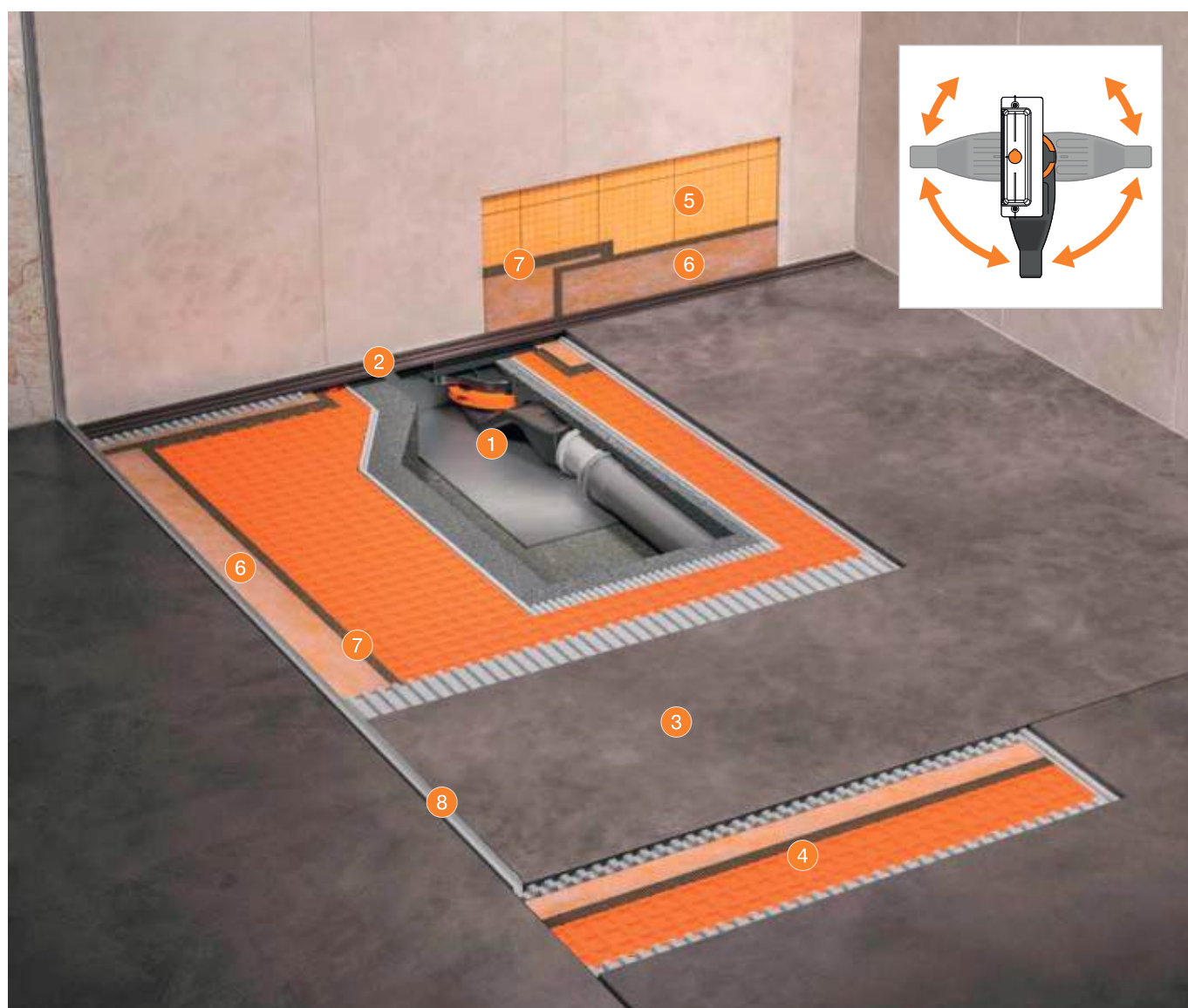


# Schlüter®-KERDI-LINE-VARIO

## Variabel afwateren als nooit tevoren

Het water loopt via de Schlüter-KERDI-LINE-VARIO afwateringsprofielen in de zeer vlakke, tweedelige afvoer. Via de combinatie van afvoeradapter met geïntegreerde, flexibele afdichtingsmanchet en golfvormige afvoer wordt het afvoerwater horizontaal naar het rioleringsnetwerk afgevoerd. Voor een goede afwatering is een dekvloer met afschot (2%) nodig.

Schlüter-DECO-SG bevestigt glazen scheidingswanden in de juiste positie. Schlüter-KERDI en -DITRA zorgen voor de afdichting aan de wand en op de vloer. Stootnaden worden afgedicht met de Schlüter-KERDI-KEBA afdichtingsbanden in verbinding met Schlüter-KERDI-COLL.



- 1 Schlüter®-KERDI-LINE-VARIO-H golfvormige afvoer
- 2 Schlüter®-KERDI-LINE-VARIO afwateringsprofiel
- 3 Dekvloer met afschot
- 4 Schlüter®-DITRA
- 5 Schlüter®-KERDI 200
- 6 Schlüter®-KERDI-KEBA
- 7 Schlüter®-KERDI-COLL
- 8 Schlüter®-DECO-SG

Pagina 192–193

Pagina 194–197

–

Pagina 157

Pagina 180

Pagina 181

Pagina 188

Pagina 229

# Schlüter®-KERDI-LINE-VARIO

## Individueel inkortbare afwateringsprofielen

- ✓ Discrete, smalle afwateringsprofielen
- ✓ Hoogwaardige materialen: roestvast staal geborsteld en aluminium met TRENDLINE-coating
- ✓ Afwateringsprofielen (120 cm / 180 cm) individueel inkortbaar en in hoogte verstelbaar
- ✓ De set bevat eindkapjes
- ✓ Lage opbouwhoogte
- ✓ Geïntegreerde stankafsluiter
- ✓ Betrouwbare aansluiting met flexibele KERDI-afdichtingsmanchet
- ✓ 360° draaibare afvoerbehuizing
- ✓ Onderhoudsarm door zelfreinigend effect
- ✓ Hoge afvoercapaciteit
- ✓ Geluidsisolerend element
- ✓ Beproefde KERDI-LINE kwaliteit



Design WAVE

Design COVE



### Beschikbare oppervlakken | Kleuren





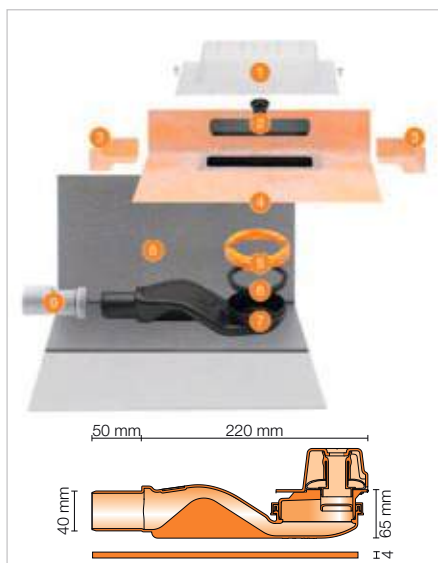
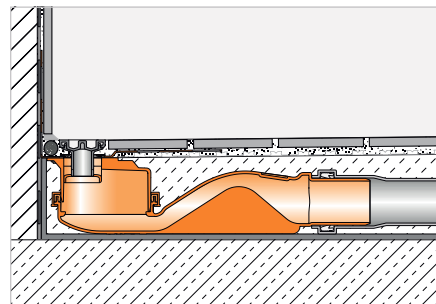
## Lijnafvoergoot horizontaal

### Schlüter®-KERDI-LINE-VARIO-H 40



Schlüter-KERDI-LINE-VARIO-H 40 is een complete set voor lineaire inloopdouches. De set bestaat uit een afvoeradapter met een geïntegreerde, flexibele KERDI-afdichtingsmanchet. De adapter is stevig en waterdicht met een af fabriek voorziene dichting in de golfvormige afvoer geschoven om een zeer lage opbouwhoogte te waarborgen. De adapter is bovendien met een klemring vastgezet. KERDI-LINE-VARIO-H 40 is universeel voor de centrale plaatsing en vooral voor de plaatsing tegen de wand geschikt. De hoge stroomsnelheid zorgt voor een zelfreinigend effect, waardoor de tijd tussen de reinigingen aanzienlijk wordt verlengd. Het geluidsisolerende element dat bij de set is inbegrepen, verhindert op betrouwbare wijze geluidsoverdracht naar de omliggende constructie en dient bovendien als plaatsingshulp bij inbouw direct tegen de wand.

(Productdatablad 8.10)



### Schlüter®-KERDI-LINE-VARIO-H 40

Set lijnafvoergoot met golfvormige afvoer, afvoer DN 40 horizontaal

| Art.-No.     | € / Set | P (set) |
|--------------|---------|---------|
| KL VR H40 G5 | 230,63  | 10      |

#### Opmerking:

Aleen combineerbaar met de Schlüter-KERDI-LINE-VARIO afwateringsprofielen.

#### Technische gegevens:

|                  |         |
|------------------|---------|
| Afvoer           | DN 40   |
| Afvoercapaciteit | 0,5 l/s |
| Restwaterhoogte  | 25 mm   |
| Inbouwhoogte     | 65 mm   |

#### Set-componenten:

- 1 Beschermingsafdekking
- 2 Watertestaansluiting
- 3 Hoekafdichting (voor opgaande zijwand)
- 4 Gootadapter met flexibele afdichtingsmanchet
- 5 Klemring
- 6 Dichting
- 7 Afvoerbehuizing DN 40 met stankafsluiter
- 8 Geluidsisolerend element
- 9 Adapter DN 40/50

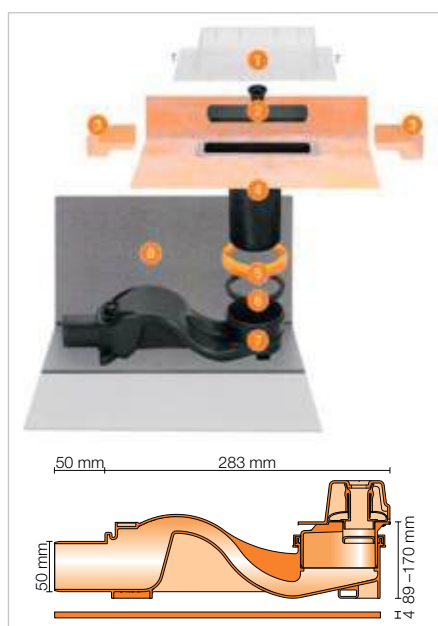
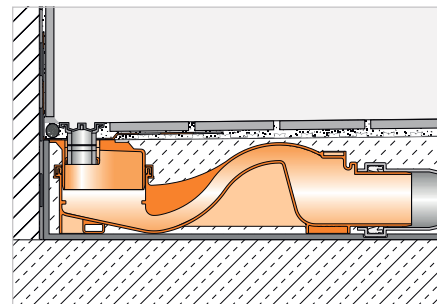
## Lijnafvoergoot horizontaal

## Schlüter®-KERDI-LINE-VARIO-H 50



Schlüter-KERDI-LINE-VARIO-H 50 is een complete set voor lineaire inloopdouches. Deze bestaat uit een afvoeradapter die ter plaatse op de juiste hoogte kan worden ingekort, met een geïntegreerde, flexibele KERDI-afdichtingsmanchet en een horizontale, 360° draaibare, golfvormige afvoer met geïntegreerde stankafsluiter. De afvoer kan met de bijgeleverde bevestigingsset op de vloer worden gefixeerd. KERDI-LINE-VARIO-H 50 is universeel voor de centrale plaatsing en vooral voor de plaatsing tegen de wand geschikt. De hoge stroomsnelheid zorgt voor een zelfreinigend effect, waardoor de tijd tussen de reinigingen aanzienlijk wordt verlengd. Het geluidsisolerende element dat bij de set is inbegrepen, verhindert op betrouwbare wijze geluidsoverdracht naar de omliggende constructie en dient bovendien als plaatsingshulp bij inbouw direct tegen de wand.

(Productdatablad 8.10)



## Schlüter®-KERDI-LINE-VARIO-H 50

Set lijnafvoergoot met golfvormige afvoer, afvoer DN 50 horizontaal

| Art.-No.       | € / Set | P (set) |
|----------------|---------|---------|
| KL VR H50 A G5 | 247,11  | 10      |

**Opmerking:**

Aleen combineerbaar met de Schlüter-KERDI-LINE-VARIO afwateringsprofielen.

**Technische gegevens:**

|                  |         |
|------------------|---------|
| Afvoer           | DN 50   |
| Afvoercapaciteit | 0,8 l/s |
| Restwaterhoogte  | 50 mm   |
| Inbouwhoogte     | 89 mm   |

**Set-componenten:**

- 1 Beschermingsafdekking
- 2 Watertestaansluiting
- 3 Hoekafdichting (voor opgaande zijwand)
- 4 Inkortbare gootadapter met flexibele afdichtingsmanchet
- 5 Klemring
- 6 Dichting
- 7 Afvoerbehuizing DN 50 met stankafsluiter
- 8 Geluidsisolerend element



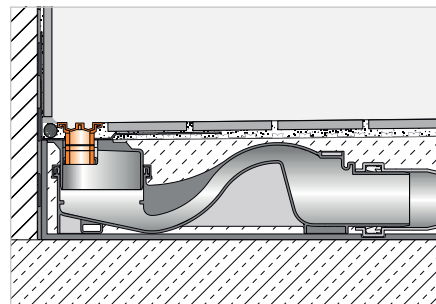
## Afwateringsprofiel

### Schlüter®-KERDI-LINE-VARIO WAVE



Schlüter-KERDI-LINE-VARIO WAVE is een inkortbaar W-vormig afwateringsprofiel dat met een Schlüter-KERDI-LINE-VARIO-H afvoer wordt gebruikt. Het is verkrijgbaar in geborsteld roestvast staal V4A (materiaaln. 1.4404 = AISI 316L) en aluminium met hoogwaardige poedercoating. Het water wordt via het midden afgevoerd door een afvoersleuf met een lengte van 140 mm. Deze is afgedekt met een elegant, afneembaar afdekelement. Het profiel wordt met twee eindkapjes geleverd en kan door het aanbrengen van dunbedmortel aan de dikte van de vloerbekleding worden aangepast.

(Productdatablad 8.10)



#### Schlüter®-KERDI-LINE-VARIO WAVE 34

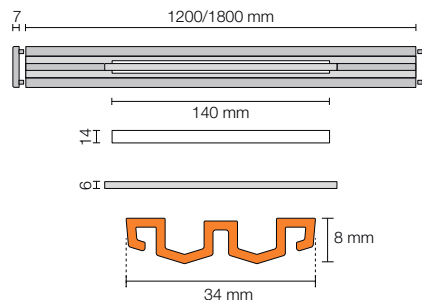
Afwateringsprofiel, design WAVE (D 10), alu. met kleurcoating

| L (cm) | H = 8 mm<br>Art.-No. | € / Set       | P (set) |
|--------|----------------------|---------------|---------|
| 120    | KL VR D10 ...* 120   | <b>210,39</b> | 10      |
| 180    | KL VR D10 ...* 180   | <b>236,12</b> | 10      |

#### Schlüter®-KERDI-LINE-VARIO WAVE 34

Afwateringsprofiel, design WAVE (D 10), alu. structuur-gecoat

| L (cm) | H = 8 mm<br>Art.-No. | € / Set       | P (set) |
|--------|----------------------|---------------|---------|
| 120    | KL VR D10 ...** 120  | <b>216,76</b> | 10      |
| 180    | KL VR D10 ...** 180  | <b>241,62</b> | 10      |



Geschikt voor bekledingsdikten van 6–15 mm (met DITRA of DITRA-HEAT) en 6–12 mm (met DITRA-HEAT-DUO).

In combinatie met het ophoogstuk KL VR DSE 14, geschikt voor bekledingsdikten tot 25 mm (met DITRA of DITRA-HEAT) en tot 22 mm (met DITRA-HEAT-DUO), zie pagina 198.

**i**  
Alleen met Schlüter-KERDI-LINE-VARIO-H afvoeren combineerbaar. De set bevat twee eindkapjes.

#### Art.-No. aanvullen met oppervlak/kleur (bijv. KL VR D10 TSOB 120)

\* Oppervlakken/kleuren: MBW - MGS

\*\* Oppervlakken/kleuren: TSBG - TSC - TSDA - TSG - TSI - TSOB - TSSG

#### Beschikbare oppervlakken | Kleuren



Een overzicht van de oppervlakken en kleuren vindt u vanaf pagina 342.

**Schlüter®-KERDI-LINE-VARIO WAVE 42**

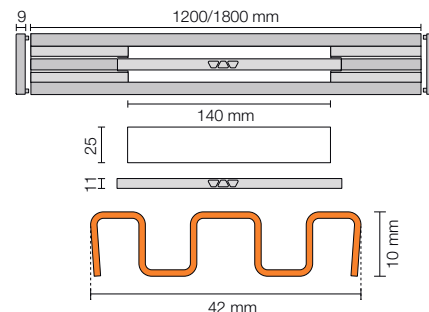
Afwateringsprofiel, design WAVE (D 10), roestvast staal V4A geborsteld

| L (cm) | H = 10 mm<br>Art.-No. | € / Set       | P (set) |
|--------|-----------------------|---------------|---------|
| 120    | KL VR1 D10 EB 120     | <b>313,01</b> | 10      |
| 180    | KL VR1 D10 EB 180     | <b>351,44</b> | 10      |

Geschikt voor bekledingsdikten van 8–18 mm (met DITRA of DITRA-HEAT) en 8–15 mm (met DITRA-HEAT-DUO).

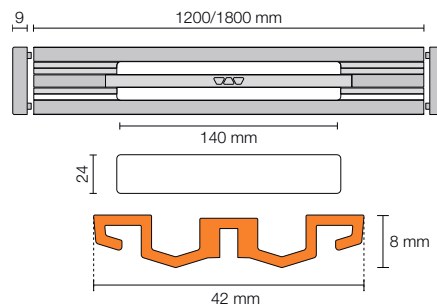
In combinatie met het ophoogstuk KL VR DSE 23, geschikt voor bekledingsdikten tot 28 mm (met DITRA of DITRA-HEAT) en tot 25 mm (met DITRA-HEAT-DUO), zie pagina 198.

Het profiel KERDI-LINE-VARIO WAVE 42 van roestvast staal is toegankelijk voor rolstoelen.

**Schlüter®-KERDI-LINE-VARIO WAVE 42**

Afwateringsprofiel, design WAVE (D 10), alu. met kleurcoating

| L (cm) | H = 8 mm<br>Art.-No. | € / Set       | P (set) |
|--------|----------------------|---------------|---------|
| 120    | KL VR1 D10 ...* 120  | <b>219,65</b> | 10      |
| 180    | KL VR1 D10 ...* 180  | <b>247,11</b> | 10      |

**Schlüter®-KERDI-LINE-VARIO WAVE 42**

Afwateringsprofiel, design WAVE (D 10), alu. structuur-gecoat

| L (cm) | H = 8 mm<br>Art.-No. | € / Set       | P (set) |
|--------|----------------------|---------------|---------|
| 120    | KL VR1 D10 ...** 120 | <b>225,14</b> | 10      |
| 180    | KL VR1 D10 ...** 180 | <b>252,60</b> | 10      |

Geschikt voor bekledingsdikten van 6–15 mm (met DITRA of DITRA-HEAT) en 6–12 mm (met DITRA-HEAT-DUO).

In combinatie met het ophoogstuk KL VR DSE 23, geschikt voor bekledingsdikten tot 25 mm (met DITRA of DITRA-HEAT) en tot 22 mm (met DITRA-HEAT-DUO), zie pagina 198.

De profielen KERDI-LINE-VARIO WAVE 42 kunnen optioneel met de haarzeef KL VR S 23 worden uitgerust, zie pagina 198.

**Art.-No. aanvullen met oppervlak/kleur (bijv. KL VR1 D10 TSI 120)**

\* Oppervlakken/kleuren: MBW - MGS

\*\* Oppervlakken/kleuren: TSBG - TSC - TSDA - TSG - TSI - TSOB - TSSG

**Beschikbare oppervlakken | Kleuren**

Een overzicht van de oppervlakken en kleuren vindt u vanaf pagina 342.

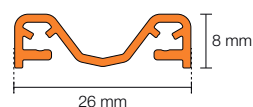
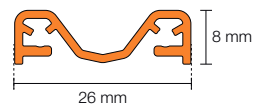
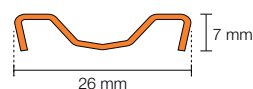
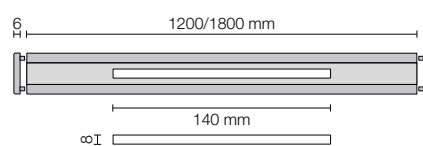
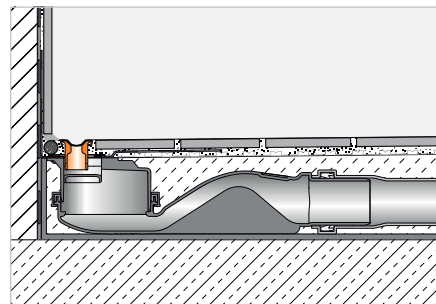


## Afwateringsprofiel

### Schlüter®-KERDI-LINE-VARIO COVE



Schlüter-KERDI-LINE-VARIO COVE is een inkortbaar, hol afwateringsprofiel dat met een Schlüter-KERDI-LINE-VARIO-H afvoer wordt gebruikt. Het is verkrijgbaar in geborsteld roestvast staal V4A (materiaaln. 1.4404 = AISI 316L) en aluminium met hoogwaardige poedercoating. Het water wordt via het midden afgevoerd door een afvoersleuf met een lengte van 140 mm. Deze wordt bij COVE 34 afgedekt met een elegant, afneembaar afdekelement. Het profiel wordt met twee eindkapjes geleverd en kan door het aanbrengen van dunbedmortel aan de dikte van de vloerbekleding worden aangepast. Het profiel is toegankelijk voor rolstoelen. (Productdatablad 8.10)



#### Schlüter®-KERDI-LINE-VARIO COVE 26

Afwateringsprofiel, design COVE (D 9), roestvast staal V4A geborsteld

| L (cm) | H = 7 mm<br>Art.-No. | € / Set       | P (set) |
|--------|----------------------|---------------|---------|
| 120    | KL VR D9 EB 120      | <b>248,99</b> | 10      |
| 180    | KL VR D9 EB 180      | <b>291,04</b> | 10      |

#### Schlüter®-KERDI-LINE-VARIO COVE 26

Afwateringsprofiel, design COVE (D 9), alu. met kleurcoating

| L (cm) | H = 8 mm<br>Art.-No. | € / Set       | P (set) |
|--------|----------------------|---------------|---------|
| 180    | KL VR D9 ...* 180    | <b>208,67</b> | 10      |
| 120    | KL VR D9 ...* 120    | <b>184,89</b> | 10      |

#### Schlüter®-KERDI-LINE-VARIO COVE 26

Afwateringsprofiel, design COVE (D 9), alu. structuur-gecoat

| L (cm) | H = 8 mm<br>Art.-No. | € / Set       | P (set) |
|--------|----------------------|---------------|---------|
| 180    | KL VR D9 ...** 180   | <b>214,16</b> | 10      |
| 120    | KL VR D9 ...** 120   | <b>191,26</b> | 10      |

Geschikt voor bekledingsdikten van 6–15 mm (met DITRA of DITRA-HEAT) en 6–12 mm (met DITRA-HEAT-DUO).

In combinatie met het ophoogstuk KL VR DSE 14, geschikt voor bekledingsdikten tot 25 mm (met DITRA of DITRA-HEAT) en tot 22 mm (met DITRA-HEAT-DUO), zie pagina 198.

Art.-No. aanvullen met oppervlak/kleur (bijv. KL VR D9 TSSG 180)

\* Oppervlakken/kleuren: MBW - MGS

\*\* Oppervlakken/kleuren: TSBG - TSC - TSDA - TSG - TSI - TSOB - TSSG

**i**  
Alleen met Schlüter-KERDI-LINE-VARIO-H afvoeren combineerbaar. De set bevat twee eindkapjes.

## Beschikbare oppervlakken | Kleuren

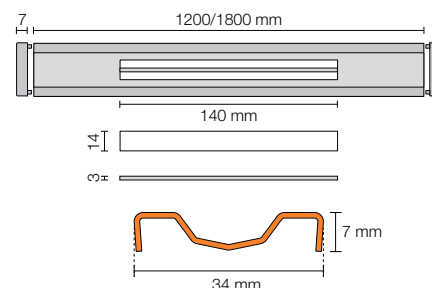


Een overzicht van de oppervlakken en kleuren vindt u vanaf pagina 342.

**Schlüter®-KERDI-LINE-VARIO COVE 34** ★

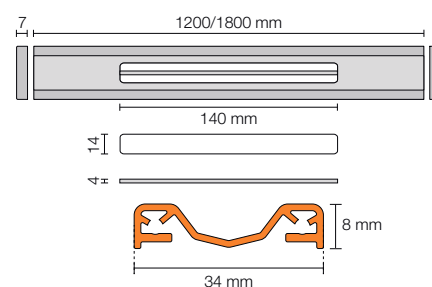
Afwateringsprofiel, design COVE (D 9), roestvast staal V4A geborsteld

| L (cm) | H = 7 mm<br>Art.-No. | € / Set       | P (set) |
|--------|----------------------|---------------|---------|
| 120    | KL VR1 D9 EB 120     | <b>272,96</b> | 10      |
| 180    | KL VR1 D9 EB 180     | <b>313,70</b> | 10      |

**Schlüter®-KERDI-LINE-VARIO COVE 34** ★

Afwateringsprofiel, design COVE (D 9), alu. met kleurcoating

| L (cm) | H = 8 mm<br>Art.-No. | € / Set       | P (set) |
|--------|----------------------|---------------|---------|
| 180    | KL VR1 D9 ...* 180   | <b>223,05</b> | 10      |
| 120    | KL VR1 D9 ...* 120   | <b>197,59</b> | 10      |

**Schlüter®-KERDI-LINE-VARIO COVE 34** ★

Afwateringsprofiel, design COVE (D 9), alu. structuur-gecoat

| L (cm) | H = 8 mm<br>Art.-No. | € / Set       | P (set) |
|--------|----------------------|---------------|---------|
| 180    | KL VR1 D9 ...** 180  | <b>228,14</b> | 10      |
| 120    | KL VR1 D9 ...** 120  | <b>202,68</b> | 10      |

Geschikt voor bekledingsdikten van 6–15 mm (met DITRA of DITRA-HEAT) en 6–12 mm (met DITRA-HEAT-DUO).

In combinatie met het ophoogstuk KL VR DSE 14, geschikt voor bekledingsdikten tot 25 mm (met DITRA of DITRA-HEAT) en tot 22 mm (met DITRA-HEAT-DUO), zie pagina 198.

De profielen KERDI-LINE-VARIO COVE 34 kunnen optioneel met de haarzeef KL VR S 14 worden uitgerust, zie pagina 198.

**Art.-No. aanvullen met oppervlak/kleur (bijv. KL VR1 D9 TSG 180)**

\* Oppervlakken/kleuren: MBW - MGS

\*\* Oppervlakken/kleuren: TSBG - TSC - TSDA - TSG - TSI - TSOB - TSSG

**Beschikbare oppervlakken | Kleuren**

Een overzicht van de oppervlakken en kleuren vindt u vanaf pagina 342.



## Ophoogstuk

### Schlüter®-KERDI-LINE-VARIO-DSE



KL VR DSE 14

Schlüter-KERDI-LINE-VARIO-DSE is een ophoogstukset, waarmee de desbetreffende afwateringsprofielen met 10 mm dikkere bekledingen kunnen worden gebruikt. (Productdatablad 8.10)



KL VR DSE 23

#### Schlüter®-KERDI-LINE-VARIO-DSE

Ophoogstuk voor KERDI-LINE-VARIO

| Art.-No.     | € / St. | P (st.) |
|--------------|---------|---------|
| KL VR DSE 14 | 17,03   | 10      |

#### Opmerking:

Het ophoogstuk KL VR DSE 14 wordt gecombineerd met de afwateringsprofielen van de serie COVE en WAVE 34.

#### Schlüter®-KERDI-LINE-VARIO-DSE

Ophoogstuk voor KERDI-LINE-VARIO

| Art.-No.     | € / Set | P (set) |
|--------------|---------|---------|
| KL VR DSE 23 | 19,77   | 10      |

#### Opmerking:

Het ophoogstuk KL VR DSE 23 wordt alleen gecombineerd met de afwateringsprofielen van de serie WAVE 42.

## Haarzeef

### Schlüter®-KERDI-LINE-VARIO-S



KL VR S 23

Schlüter-KERDI-LINE-VARIO-S is een haarzeef die optioneel voor de profielseries WAVE 42 en COVE 34 verkrijgbaar is. Daarnaast voorkomt deze ook dat kleine voorwerpen zoals juwelen in de afvoer verdwijnen. (Productdatablad 8.10)



KL VR S 14

#### Schlüter®-KERDI-LINE-VARIO-S

Haarzeef voor KERDI-LINE-VARIO WAVE 42

| Art.-No.   | € / St. | P (st.) |
|------------|---------|---------|
| KL VR S 23 | 15,38   | 10      |

#### Schlüter®-KERDI-LINE-VARIO-S 14 ★

Haarzeef voor KERDI-LINE-VARIO COVE 34

| Art.-No.   | € / St. | P (st.) |
|------------|---------|---------|
| KL VR S 14 | 15,79   | 10      |

# Schlüter®-KERDI-LINE

## Doordacht, compleet systeem

De Schlüter-KERDI-LINE lijnafvoergoot voert het water naar keuze horizontaal of verticaal af naar het rioleringsnetwerk. Met de Schlüter-KERDI-SHOWER hellingsplaat wordt snel een vlakke en afgedichte ondergrond gerealiseerd voor de plaatsing van tegels. Schlüter-SHOWERPROFILE bedekt de vrije randen van de douche en zorgt voor een functionele overstromingsbeveiliging. Schlüter-DECO-SG bevestigt glazen scheidingswanden in de juiste positie. Schlüter-KERDI en -DITRA zorgen voor de afdichting aan de wand en op de vloer. Stootnaden worden afgedicht met de Schlüter-KERDI-KEBA afdichtingsbanden in verbinding met Schlüter-KERDI-COLL.



- 1 Schlüter®-KERDI-LINE goot
- 2 Schlüter®-KERDI-LINE rooster-/framesets
- 3 Schlüter®-KERDI-SHOWER
- 4 Schlüter®-DITRA
- 5 Schlüter®-KERDI 200
- 6 Schlüter®-KERDI-KEBA
- 7 Schlüter®-SHOWERPROFILE-R
- 8 Schlüter®-SHOWERPROFILE-S
- 9 Schlüter®-SHOWERPROFILE-WS/-WSK
- 10 Schlüter®-DECO-SG

Pagina 202–208, 218–219

Pagina 209–215

Pagina 222–223

Pagina 157

Pagina 180

Pagina 181

Pagina 226

Pagina 224–225

Pagina 227–228

Pagina 229



# Schlüter®-KERDI-LINE-STYLE

Elegante designafdekkingen met inlegframe



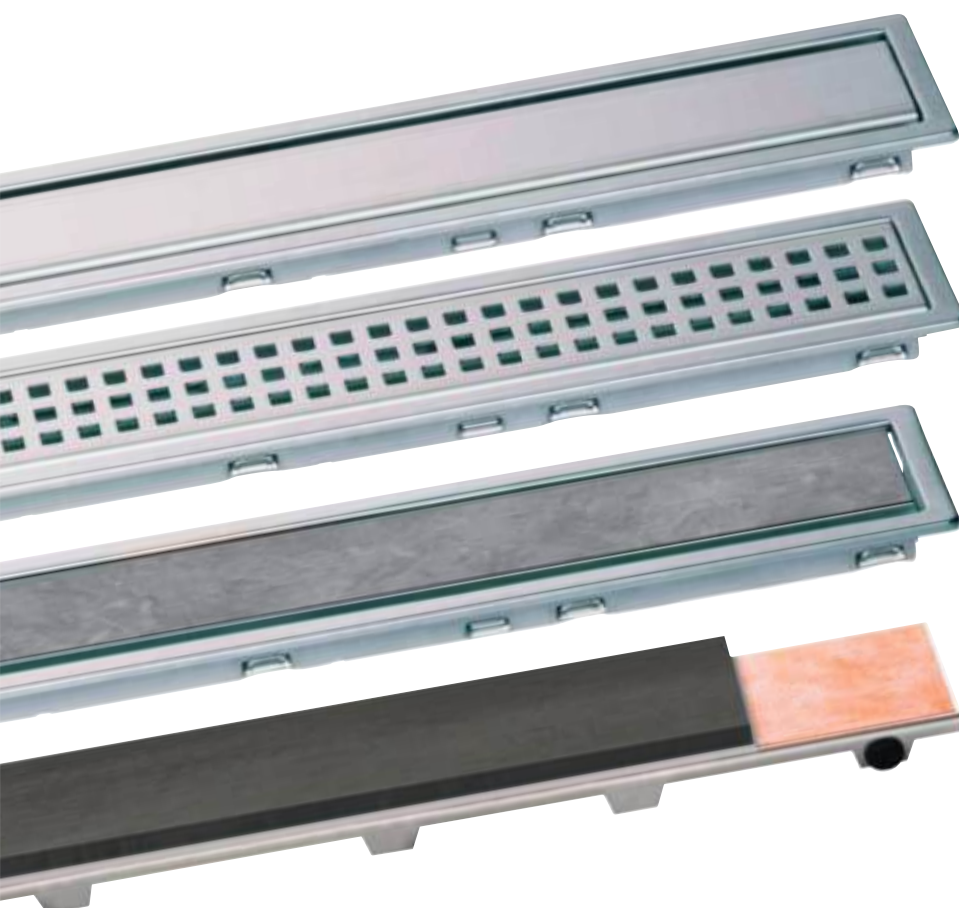
Design FLORAL

Design CURVE

Design PURE

# Schlüter®-KERDI-LINE

De klassiekers met profielframe



Design A: SOLID

Design B: SQUARE

Design C: FRAMED TILE

Design D: TILE (zonder frame)

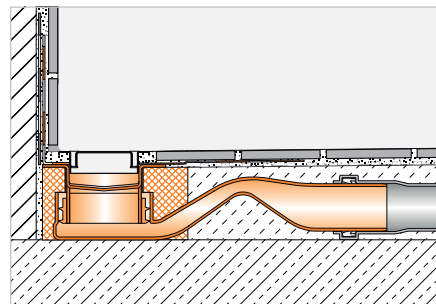


## Lijnafvoergoot horizontaal

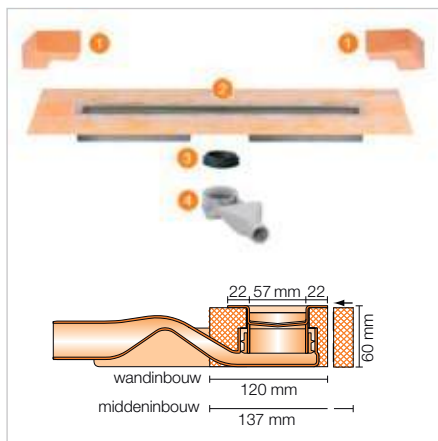
### Schlüter®-KERDI-LINE-F 40



Schlüter-KERDI-LINE-F 40 is een volledige set voor lineaire inloofdouches met een horizontale golfvormige afvoer met geïntegreerde stankafsluiter. De set is universeel voor de centrale plaatsing of plaatsing tegen de wand te gebruiken en dankzij de geringe inbouwhoogte van slechts 60 mm bijzonder geschikt voor renovaties. Voor de betrouwbare aansluiting op de contactafdichting is op de kleefflens van de goot een standaard voorziene manchet uit Schlüter-KERDI vast verlijmd.

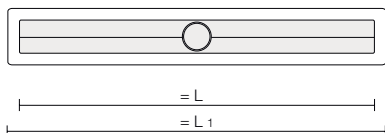


(Productdatablad 8.7)



#### Set-componenten:

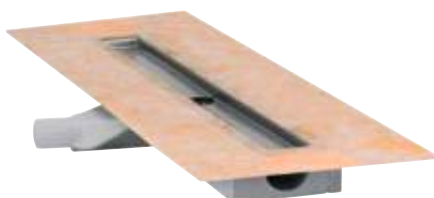
- 1 Hoekafdichting (voor zijdelingse wandaansluiting)
- 2 Goot met afdichtingsmanchet en gootdrager
- 3 Lipdichting
- 4 Afvoerbehuizing met stankafsluiter



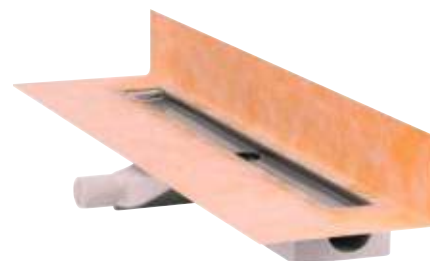
### Schlüter®-KERDI-LINE-F 40

Set roestvaststalen lijnafvoergoot V4A met geïntegreerde stankafsluiter, afvoer DN 40 horizontaal

| L (cm) | L1 (cm) | Art.-No.      | € / Set       | P (set) |
|--------|---------|---------------|---------------|---------|
| 50     | 55      | KLF 40 GE 50  | <b>306,10</b> | 10      |
| 60     | 65      | KLF 40 GE 60  | <b>318,50</b> | 10      |
| 70     | 75      | KLF 40 GE 70  | <b>330,91</b> | 10      |
| 80     | 85      | KLF 40 GE 80  | <b>343,27</b> | 10      |
| 90     | 95      | KLF 40 GE 90  | <b>356,49</b> | 10      |
| 100    | 105     | KLF 40 GE 100 | <b>369,63</b> | 10      |
| 110    | 115     | KLF 40 GE 110 | <b>379,72</b> | 10      |
| 120    | 125     | KLF 40 GE 120 | <b>391,35</b> | 10      |



Schlüter-KERDI manchet, vlakliggend voor middeninbouw



Schlüter-KERDI manchet, opgezet voor wandinbouw

#### Technische gegevens:

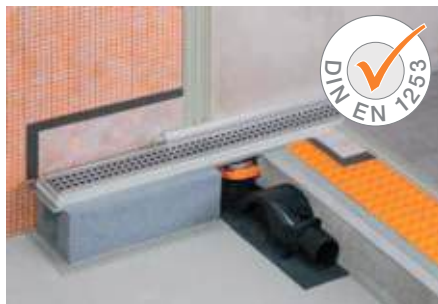
|                                      |          |
|--------------------------------------|----------|
| Afvoer                               | DN 40    |
| Afvoercapaciteit                     | 0,45 l/s |
| Restwaterhoogte                      | 25 mm    |
| Inbouwhoogte                         | 60 mm    |
| Breedte van de afdekking incl. frame | 74 mm    |

#### Opmerking:

Passende rooster-/framecombinaties of tegeldrager vindt u op pagina 209–215.

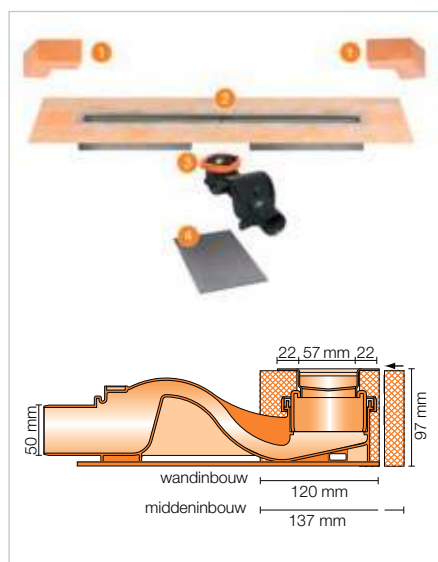
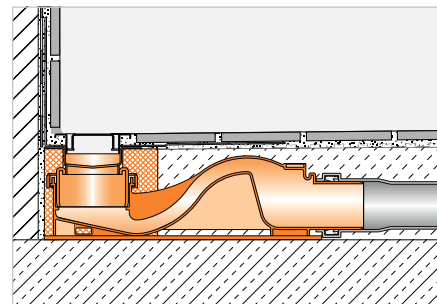
## Lijnafvoergoot horizontaal

## Schlüter®-KERDI-LINE-F 50



Schlüter-KERDI-LINE-F 50 is een volledige set voor lineaire inlopdouches met een horizontale golfvormige afvoer met geïntegreerde stankafsluiter. De set is universeel voor de centrale plaatsing of plaatsing tegen de wand geschikt. De afvoercapaciteit bedraagt conform DIN EN 1253  $\geq 0,8$  l/s en de restwaterhoogte van de stankafsluiter 50 mm. Voor een betrouwbare aansluiting op de contactafdichting is op de klefflens van de goot een standaard voorziene manchet uit Schlüter-KERDI vast verlijmd.

(Productdatablad 8.7)



## Schlüter®-KERDI-LINE-F 50

Set roestvaststalen lijnafvoergoot V4A met geïntegreerde stankafsluiter, afvoer DN 50 horizontaal

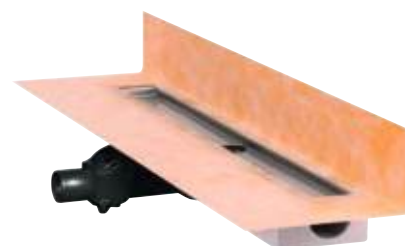
| L (cm) | L1 (cm) | Art.-No.      | € / Set       | P (set) |
|--------|---------|---------------|---------------|---------|
| 50     | 55      | KLF 50 GE 50  | <b>334,07</b> | 10      |
| 60     | 65      | KLF 50 GE 60  | <b>349,73</b> | 10      |
| 70     | 75      | KLF 50 GE 70  | <b>360,17</b> | 10      |
| 80     | 85      | KLF 50 GE 80  | <b>375,83</b> | 10      |
| 90     | 95      | KLF 50 GE 90  | <b>391,49</b> | 10      |
| 100    | 105     | KLF 50 GE 100 | <b>401,93</b> | 10      |
| 110    | 115     | KLF 50 GE 110 | <b>417,59</b> | 10      |
| 120    | 125     | KLF 50 GE 120 | <b>428,02</b> | 10      |
| 130    | 135     | KLF 50 GE 130 | <b>568,96</b> | 10      |
| 140    | 145     | KLF 50 GE 140 | <b>584,62</b> | 10      |
| 150    | 155     | KLF 50 GE 150 | <b>600,28</b> | 10      |
| 160    | 165     | KLF 50 GE 160 | <b>621,16</b> | 10      |
| 170    | 175     | KLF 50 GE 170 | <b>642,04</b> | 10      |
| 180    | 185     | KLF 50 GE 180 | <b>652,48</b> | 10      |

## Set-componenten:

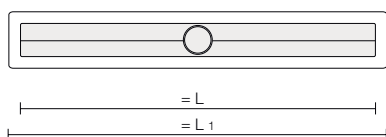
- 1 Hoekafdichting (voor zijdelingse wandaansluiting)
- 2 Goot met afdichtingsmanchet en gootdrager
- 3 Afvoerbehuizing DN 50 met stankafsluiter, klemring en dichting
- 4 Geluidsisolerend element



Schlüter-KERDI manchet, vlakliggend voor middeninbouw



Schlüter-KERDI manchet, opgezet voor wandinbouw



## Technische gegevens:

|                                      |         |
|--------------------------------------|---------|
| Afvoer                               | DN 50   |
| Afvoercapaciteit                     | 0,8 l/s |
| Restwaterhoogte                      | 50 mm   |
| Inbouwhoogte                         | 97 mm   |
| Breedte van de afdekking incl. frame | 74 mm   |

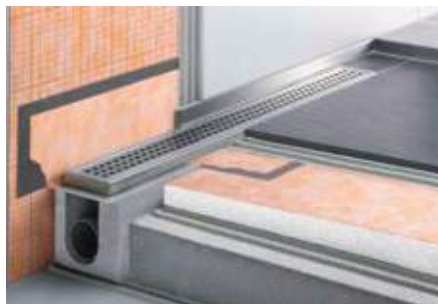
## Opmerking:

Passende rooster-/framecombinaties of tegeldrager vindt u op pagina 209–215.

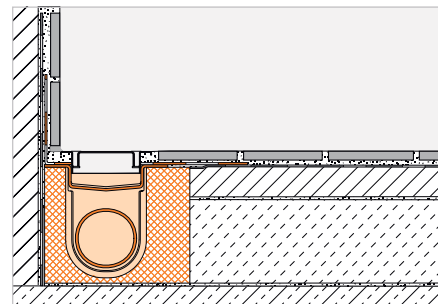


## Lijnafvoergoot horizontaal

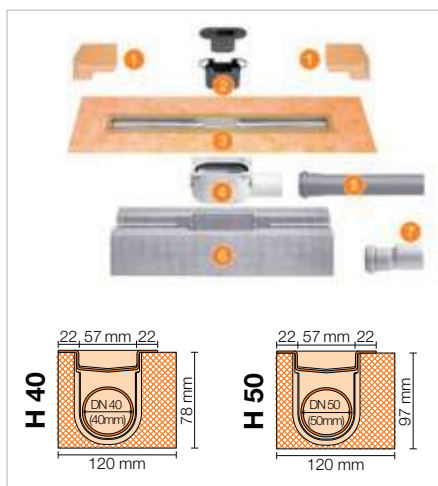
### Schlüter®-KERDI-LINE-H



Schlüter-KERDI-LINE-H is een volledige set voor lineaire inloopdouches met een horizontale afvoer. Ze is universeel voor de centrale plaatsing of plaatsing tegen de wand geschikt. Op de rondom liggende kleefflens van de goot is een standaard voorziene manchet uit Schlüter-KERDI vast verlijmd. Deze dient voor de betrouwbare aansluiting van de goot op de contactafdichting, zowel op vloeren als tegen opgaande wanden.

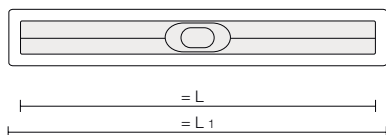


(Productdatablad 8.7)



#### Set-componenten:

- 1 Hoekafdichting (voor zijdelingse wandaansluiting)
- 2 Tweedelige stankafsluiter
- 3 Goot met afdichtingsmanchet
- 4 Afvoerbehuizing
- 5 Afvoerbuïs
- 6 Gootdrager
- 7 Verloopstuk DN 40 naar DN 50 (enkel voor KERDI-LINE-H 40)



#### Technische gegevens:

|                                      | DN 40   | DN 50   |
|--------------------------------------|---------|---------|
| Afvoer                               | DN 40   | DN 50   |
| Afvoercapaciteit                     | 0,5 l/s | 0,6 l/s |
| Restwaterhoogte                      | 25 mm   | 30 mm   |
| Inbouwhoogte                         | 78 mm   | 97 mm   |
| Breedte van de afdekking incl. frame | 74 mm   | 74 mm   |

### Schlüter®-KERDI-LINE-H 40

Set roestvaststalen lijnafvoergoot V4A met stankafsluiter, afvoer DN 40 horizontaal

| L (cm) | L1 (cm) | Art.-No.      | € / Set       | P (set) |
|--------|---------|---------------|---------------|---------|
| 50     | 55      | KLH 40 GE 50  | <b>306,10</b> | 10      |
| 60     | 65      | KLH 40 GE 60  | <b>318,50</b> | 10      |
| 70     | 75      | KLH 40 GE 70  | <b>330,91</b> | 10      |
| 80     | 85      | KLH 40 GE 80  | <b>343,27</b> | 10      |
| 90     | 95      | KLH 40 GE 90  | <b>356,49</b> | 10      |
| 100    | 105     | KLH 40 GE 100 | <b>369,63</b> | 10      |
| 110    | 115     | KLH 40 GE 110 | <b>379,72</b> | 10      |
| 120    | 125     | KLH 40 GE 120 | <b>391,35</b> | 10      |
| 130    | 135     | KLH 40 GE 130 | <b>518,35</b> | 10      |
| 140    | 145     | KLH 40 GE 140 | <b>532,04</b> | 10      |
| 150    | 155     | KLH 40 GE 150 | <b>547,98</b> | 10      |
| 160    | 165     | KLH 40 GE 160 | <b>567,59</b> | 10      |
| 170    | 175     | KLH 40 GE 170 | <b>585,00</b> | 10      |
| 180    | 185     | KLH 40 GE 180 | <b>604,98</b> | 10      |

### Schlüter®-KERDI-LINE-H 50

Set roestvaststalen lijnafvoergoot V4A met stankafsluiter, afvoer DN 50 horizontaal

| L (cm) | L1 (cm) | Art.-No.      | € / Set       | P (set) |
|--------|---------|---------------|---------------|---------|
| 50     | 55      | KLH 50 GE 50  | <b>306,10</b> | 10      |
| 60     | 65      | KLH 50 GE 60  | <b>318,50</b> | 10      |
| 70     | 75      | KLH 50 GE 70  | <b>330,91</b> | 10      |
| 80     | 85      | KLH 50 GE 80  | <b>343,27</b> | 10      |
| 90     | 95      | KLH 50 GE 90  | <b>356,49</b> | 10      |
| 100    | 105     | KLH 50 GE 100 | <b>369,63</b> | 10      |
| 110    | 115     | KLH 50 GE 110 | <b>379,72</b> | 10      |
| 120    | 125     | KLH 50 GE 120 | <b>391,35</b> | 10      |
| 130    | 135     | KLH 50 GE 130 | <b>518,35</b> | 10      |
| 140    | 145     | KLH 50 GE 140 | <b>532,04</b> | 10      |
| 150    | 155     | KLH 50 GE 150 | <b>547,98</b> | 10      |
| 160    | 165     | KLH 50 GE 160 | <b>567,59</b> | 10      |
| 170    | 175     | KLH 50 GE 170 | <b>585,00</b> | 10      |
| 180    | 185     | KLH 50 GE 180 | <b>604,98</b> | 10      |

#### Opmerking:

Passende rooster-/framecombinaties of tegeldrager vindt u op pagina 209–215.

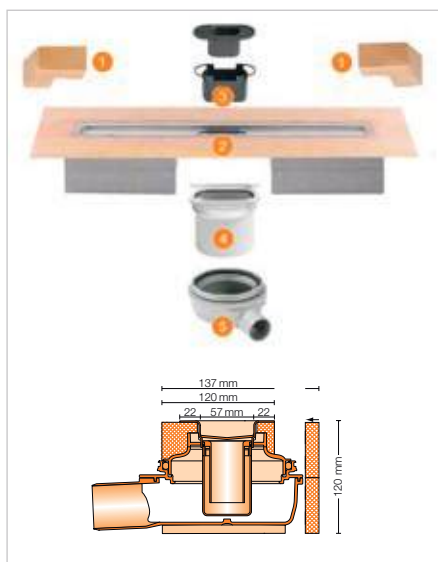
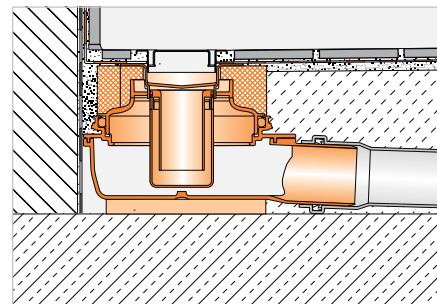
## Lijnafvoergoot horizontaal

## Schlüter®-KERDI-LINE-H 50 G2



Schlüter-KERDI-LINE-H 50 G2 is een volledige set voor lineaire inloofdouches met een horizontale afvoer. De set is universeel geschikt voor centrale plaatsing of plaatsing tegen de wand. De afvoercapaciteit bedraagt conform DIN EN 1253  $\geq 0,8$  l/s en de restwaterhoogte van de stankafsluiter 50 mm. Voor een betrouwbare aansluiting op de contactafdichting is op de contactafdichting een standaard voorziene manchet uit Schlüter-KERDI vast verlijmd.

(Productdatablad 8.7)



## Schlüter®-KERDI-LINE-H 50 G2

Set roestvaststalen lijnafvoergoot V4A met stankafsluiter, afvoer DN 50 horizontaal

| L (cm) | L1 (cm) | Art.-No.       | € / Set       | P (set) |
|--------|---------|----------------|---------------|---------|
| 50     | 55      | KLH 50 G2E 50  | <b>383,99</b> | 10      |
| 60     | 65      | KLH 50 G2E 60  | <b>397,95</b> | 10      |
| 70     | 75      | KLH 50 G2E 70  | <b>411,92</b> | 10      |
| 80     | 85      | KLH 50 G2E 80  | <b>418,90</b> | 10      |
| 90     | 95      | KLH 50 G2E 90  | <b>432,87</b> | 10      |
| 100    | 105     | KLH 50 G2E 100 | <b>446,85</b> | 10      |
| 110    | 115     | KLH 50 G2E 110 | <b>453,82</b> | 10      |
| 120    | 125     | KLH 50 G2E 120 | <b>467,78</b> | 10      |
| 130    | 135     | KLH 50 G2E 130 | <b>593,44</b> | 10      |
| 140    | 145     | KLH 50 G2E 140 | <b>607,40</b> | 10      |
| 150    | 155     | KLH 50 G2E 150 | <b>621,38</b> | 10      |
| 160    | 165     | KLH 50 G2E 160 | <b>642,30</b> | 10      |
| 170    | 175     | KLH 50 G2E 170 | <b>656,28</b> | 10      |
| 180    | 185     | KLH 50 G2E 180 | <b>677,21</b> | 10      |

## Set-componenten:

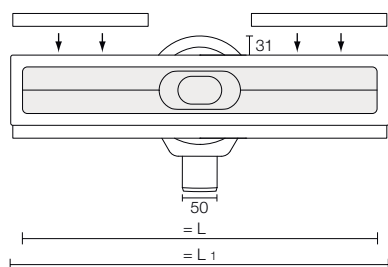
- 1 Hoekafdichting (voor opgaande zijwand)
- 2 Goot met afdichtingsmanchet en gootdrager
- 3 Tweedelige stankafsluiter
- 4 Adapter
- 5 Afvoerbehuizing

## Technische gegevens:

|                                      |         |
|--------------------------------------|---------|
| Afvoer                               | DN 50   |
| Afvoercapaciteit                     | 0,8 l/s |
| Restwaterhoogte                      | 50 mm   |
| Inbouwhoogte                         | 120 mm  |
| Breedte van de afdekking incl. frame | 74 mm   |

## Opmerking:

Passende rooster-/framecombinaties of tegeldrager vindt u op pagina 209–215.





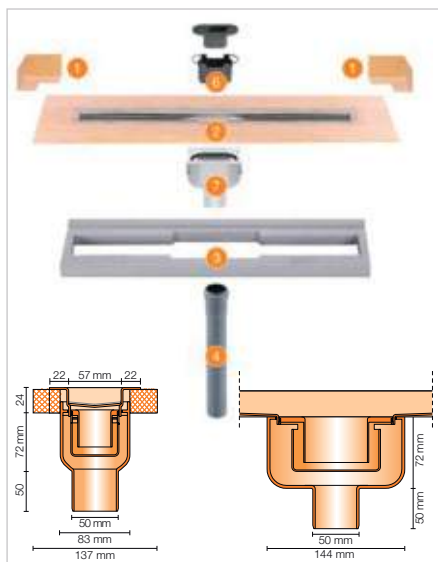
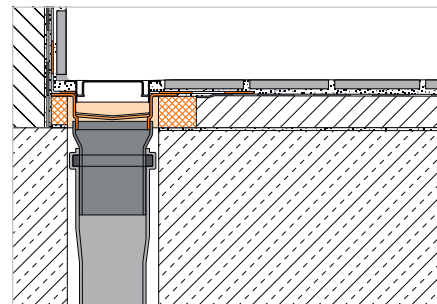
## Lijnafvoergoot verticaal

### Schlüter®-KERDI-LINE-V



Schlüter-KERDI-LINE-V is een volledige set voor lineaire inlopdouches met een verticale afvoer. Ze is universeel voor de centrale plaatsing of plaatsing tegen de wand geschikt. Op de rondom liggende kleefflens van de goot is een standaard voorziene manchet uit Schlüter-KERDI vast verlijmd. Deze dient voor de betrouwbare aansluiting van de goot op de contactafdichting, zowel op vloeren als tegen opgaande wanden.

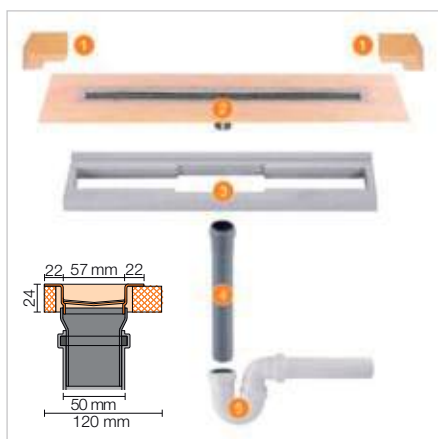
(Productdatablad 8.7)



### Schlüter®-KERDI-LINE-V

Set roestvaststalen lijnafvoergoot V4A met stankafsluiter, afvoer DN 50 verticaal

| L (cm) | L1 (cm) | Art.-No.      | € / Set       | P (set) |
|--------|---------|---------------|---------------|---------|
| 50     | 55      | KLV 50 GE 50  | <b>306,10</b> | 10      |
| 60     | 65      | KLV 50 GE 60  | <b>318,50</b> | 10      |
| 70     | 75      | KLV 50 GE 70  | <b>330,91</b> | 10      |
| 80     | 85      | KLV 50 GE 80  | <b>343,27</b> | 10      |
| 90     | 95      | KLV 50 GE 90  | <b>356,49</b> | 10      |
| 100    | 105     | KLV 50 GE 100 | <b>369,63</b> | 10      |
| 110    | 115     | KLV 50 GE 110 | <b>379,72</b> | 10      |
| 120    | 125     | KLV 50 GE 120 | <b>391,35</b> | 10      |
| 130    | 135     | KLV 50 GE 130 | <b>518,35</b> | 10      |
| 140    | 145     | KLV 50 GE 140 | <b>532,04</b> | 10      |
| 150    | 155     | KLV 50 GE 150 | <b>547,98</b> | 10      |
| 160    | 165     | KLV 50 GE 160 | <b>567,59</b> | 10      |
| 170    | 175     | KLV 50 GE 170 | <b>585,00</b> | 10      |
| 180    | 185     | KLV 50 GE 180 | <b>604,98</b> | 10      |



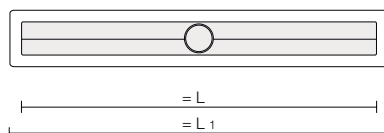
### Schlüter®-KERDI-LINE-VS

Set roestvaststalen lijnafvoergoot V4A met sifon, afvoer DN 50 verticaal

| L (cm) | L1 (cm) | Art.-No.       | € / Set       | P (set) |
|--------|---------|----------------|---------------|---------|
| 50     | 55      | KLV 50 GSE 50  | <b>306,10</b> | 10      |
| 60     | 65      | KLV 50 GSE 60  | <b>318,50</b> | 10      |
| 70     | 75      | KLV 50 GSE 70  | <b>330,91</b> | 10      |
| 80     | 85      | KLV 50 GSE 80  | <b>343,27</b> | 10      |
| 90     | 95      | KLV 50 GSE 90  | <b>356,49</b> | 10      |
| 100    | 105     | KLV 50 GSE 100 | <b>369,63</b> | 10      |
| 110    | 115     | KLV 50 GSE 110 | <b>379,72</b> | 10      |
| 120    | 125     | KLV 50 GSE 120 | <b>391,35</b> | 10      |
| 130    | 135     | KLV 50 GSE 130 | <b>518,35</b> | 10      |
| 140    | 145     | KLV 50 GSE 140 | <b>532,04</b> | 10      |
| 150    | 155     | KLV 50 GSE 150 | <b>547,98</b> | 10      |
| 160    | 165     | KLV 50 GSE 160 | <b>567,59</b> | 10      |
| 170    | 175     | KLV 50 GSE 170 | <b>585,00</b> | 10      |
| 180    | 185     | KLV 50 GSE 180 | <b>604,98</b> | 10      |

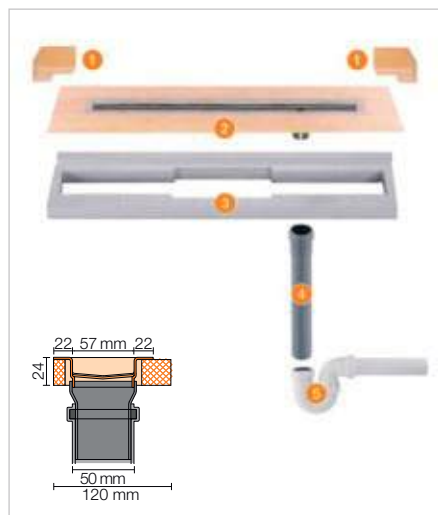
#### Set-componenten:

- 1 Hoekafdichting (voor zijdelingse wandaansluiting)
- 2 Goot met afdichtingsmanchet
- 3 Gootdrager
- 4 Afvoerbuys DN 50 (L = 250 mm)
- 5 Buissifon
- 6 Tweedelige stankafsluiter
- 7 Afvoerbehuizing

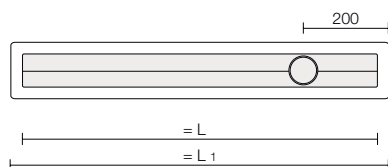


#### Opmerking:

Passende rooster-/framecombinaties of tegeldrager vindt u op pagina 209-215.

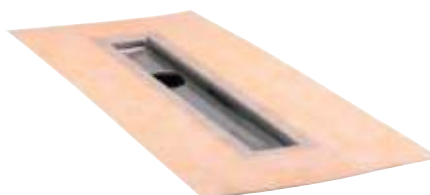
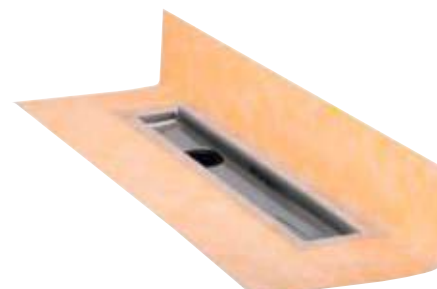
**Set-componenten:**

- 1 Hoekafdichting  
(voor zijdelingse wandaansluiting)
- 2 Goot met afdichtingsmanchet
- 3 Gootdrager
- 4 Afvoerbuïs DN 50 (L = 250 mm)
- 5 Buïssifon

**Schlüter®-KERDI-LINE-VOS**

Set roestvaststalen lijnafvoergoot V4A met sifon, decentrale afwatering, afvoer DN 50 verticaal

| L (cm) | L1 (cm) | Art.-No.        | € / Set       | P (set) |
|--------|---------|-----------------|---------------|---------|
| 70     | 75      | KLVO 50 GSE 70  | <b>392,83</b> | 10      |
| 80     | 85      | KLVO 50 GSE 80  | <b>405,07</b> | 10      |
| 90     | 95      | KLVO 50 GSE 90  | <b>422,10</b> | 10      |
| 100    | 105     | KLVO 50 GSE 100 | <b>437,26</b> | 10      |
| 110    | 115     | KLVO 50 GSE 110 | <b>446,53</b> | 10      |
| 120    | 125     | KLVO 50 GSE 120 | <b>459,14</b> | 10      |

Schlüter-KERDI manchet,  
vlakliggend voor middeninbouwSchlüter-KERDI manchet,  
opgezet voor wandinbouw**Technische gegevens:**

|   | -V      | -VS/-VOS |
|---|---------|----------|
| Afvoer                                  | DN 50   | DN 50    |
| Afvoercapaciteit                        | 0,8 l/s | 1,0 l/s  |
| Restwaterhoogte                         | 30 mm   | 50 mm    |
| Inbouwhoogte                            | 24 mm   | 24 mm    |
| Breedte van de afdekking<br>incl. frame | 74 mm   | 74 mm    |

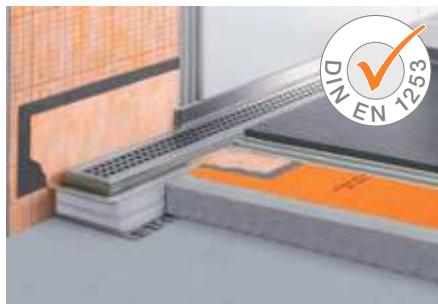
**Opmerking:**

Passende rooster-/framecombinaties vindt u op pagina 209–214. KERDI-LINE-VOS kan niet met KERDI-LINE-D worden gecombineerd.



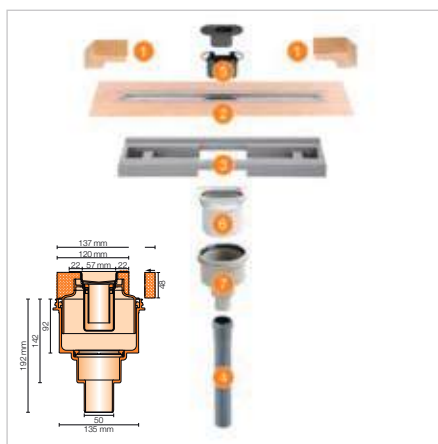
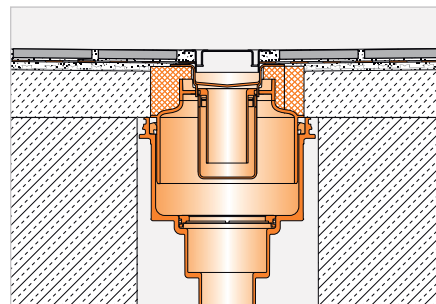
## Lijnafvoergoot verticaal

### Schlüter®-KERDI-LINE-V 50 G2



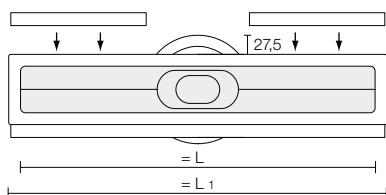
Schlüter-KERDI-LINE-V 50 G2 is een volledige set voor lineaire inloopdouches met een verticale afvoer. De set is universeel geschikt voor centrale plaatsing of plaatsing tegen de wand. De afvoercapaciteit bedraagt conform DIN EN 1253  $\geq 0,8$  l/s en de restwaterhoogte van de stankafsluiter 50 mm. Voor een betrouwbare aansluiting op de contactafdichting is op de kleefflens van de goot een standaard voorziene manchet uit Schlüter-KERDI vast verlijmd.

(Productdatablad 8.7)



#### Set-componenten:

- 1 Hoekafdichting (voor zijdelingse wandaansluiting)
- 2 Goot met afdichtingsmanchet
- 3 Gootdrager
- 4 Afvoerbuis
- 5 Tweedelige stankafsluiter
- 6 Adapter
- 7 Afvoerbehuizing



### Schlüter®-KERDI-LINE-V 50 G2

Set roestvaststalen lijnafvoergoot V4A met stankafsluiter, afvoer DN 50 verticaal

| L (cm) | L1 (cm) | Art.-No.       | € / Set       | P (set) |
|--------|---------|----------------|---------------|---------|
| 50     | 55      | KLV 50 G2E 50  | <b>383,99</b> | 10      |
| 60     | 65      | KLV 50 G2E 60  | <b>397,95</b> | 10      |
| 70     | 75      | KLV 50 G2E 70  | <b>411,92</b> | 10      |
| 80     | 85      | KLV 50 G2E 80  | <b>418,90</b> | 10      |
| 90     | 95      | KLV 50 G2E 90  | <b>432,87</b> | 10      |
| 100    | 105     | KLV 50 G2E 100 | <b>446,85</b> | 10      |
| 110    | 115     | KLV 50 G2E 110 | <b>453,82</b> | 10      |
| 120    | 125     | KLV 50 G2E 120 | <b>467,78</b> | 10      |
| 130    | 135     | KLV 50 G2E 130 | <b>593,44</b> | 10      |
| 140    | 145     | KLV 50 G2E 140 | <b>607,40</b> | 10      |
| 150    | 155     | KLV 50 G2E 150 | <b>621,38</b> | 10      |
| 160    | 165     | KLV 50 G2E 160 | <b>642,30</b> | 10      |
| 170    | 175     | KLV 50 G2E 170 | <b>656,28</b> | 10      |
| 180    | 185     | KLV 50 G2E 180 | <b>677,21</b> | 10      |

#### Technische gegevens:

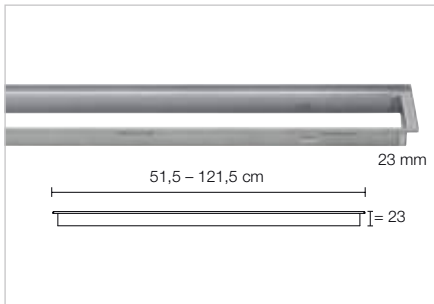
|                                      |         |
|--------------------------------------|---------|
| Afvoer                               | DN 50   |
| Afvoercapaciteit                     | 1,0 l/s |
| Restwaterhoogte                      | 50 mm   |
| Inbouwhoogte                         | 48 mm   |
| Breedte van de afdekking incl. frame | 74 mm   |

#### Opmerking:

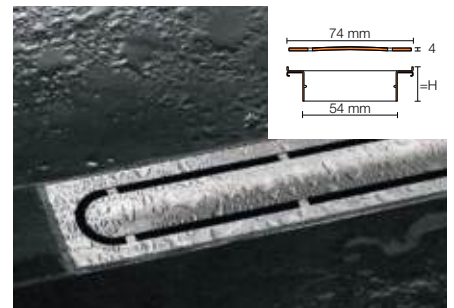
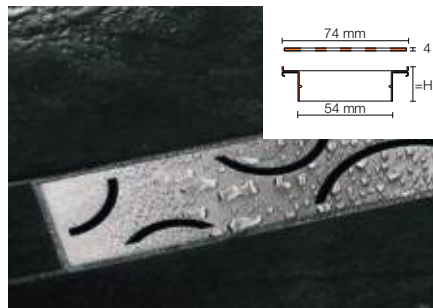
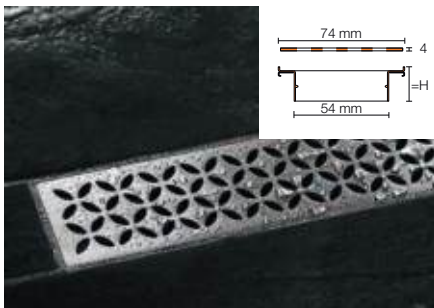
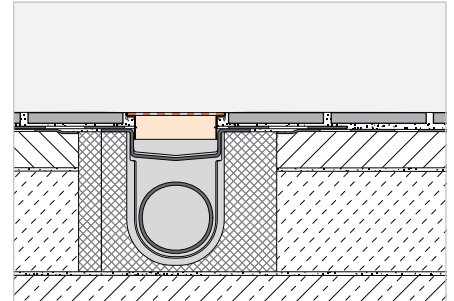
Passende rooster-/framecombinaties of tegeldrager vindt u op pagina 209–215.

Rooster-/framecombinatie

Schlüter®-KERDI-LINE-STYLE



Schlüter-KERDI-LINE-STYLE zijn inlegframes met stijlvolle design-afdekkingen uit roestvast staal geborsteld die passen bij Schlüter-KERDI-LINE-goten. Het inlegframe kan voor bekledingsmateriaal van 6 - 18 mm traploos in de hoogte worden aangepast. De afdekkingen zijn verkrijgbaar in de designs FLORAL, CURVE en PURE.  
(Productdatablad 8.7)



Schlüter®-KERDI-LINE-IF-E

Design FLORAL, 23 mm frame, roestvast staal V4A geborsteld

| L (cm) | H = 23 mm Art.-No. | € / Set | P (set) |
|--------|--------------------|---------|---------|
| 50     | KLIFE 23 EB 50     | 359,53  | 10      |
| 60     | KLIFE 23 EB 60     | 373,10  | 10      |
| 70     | KLIFE 23 EB 70     | 386,66  | 10      |
| 80     | KLIFE 23 EB 80     | 413,80  | 10      |
| 90     | KLIFE 23 EB 90     | 440,93  | 10      |
| 100    | KLIFE 23 EB 100    | 468,06  | 10      |
| 110    | KLIFE 23 EB 110    | 495,22  | 10      |
| 120    | KLIFE 23 EB 120    | 522,33  | 10      |

Schlüter®-KERDI-LINE-IF-F

Design CURVE, 23 mm frame, roestvast staal V4A geborsteld

| L (cm) | H = 23 mm Art.-No. | € / Set | P (set) |
|--------|--------------------|---------|---------|
| 50     | KLIFF 23 EB 50     | 345,97  | 10      |
| 60     | KLIFF 23 EB 60     | 359,53  | 10      |
| 70     | KLIFF 23 EB 70     | 373,10  | 10      |
| 80     | KLIFF 23 EB 80     | 393,47  | 10      |
| 90     | KLIFF 23 EB 90     | 413,80  | 10      |
| 100    | KLIFF 23 EB 100    | 434,16  | 10      |
| 110    | KLIFF 23 EB 110    | 454,50  | 10      |
| 120    | KLIFF 23 EB 120    | 474,86  | 10      |

Schlüter®-KERDI-LINE-IF-G

Design PURE, 23 mm frame, roestvast staal V4A geborsteld

| L (cm) | H = 23 mm Art.-No. | € / Set | P (set) |
|--------|--------------------|---------|---------|
| 50     | KLIFG 23 EB 50     | 386,66  | 10      |
| 60     | KLIFG 23 EB 60     | 400,24  | 10      |
| 70     | KLIFG 23 EB 70     | 413,80  | 10      |
| 80     | KLIFG 23 EB 80     | 434,16  | 10      |
| 90     | KLIFG 23 EB 90     | 454,50  | 10      |
| 100    | KLIFG 23 EB 100    | 474,86  | 10      |
| 110    | KLIFG 23 EB 110    | 495,22  | 10      |
| 120    | KLIFG 23 EB 120    | 522,33  | 10      |

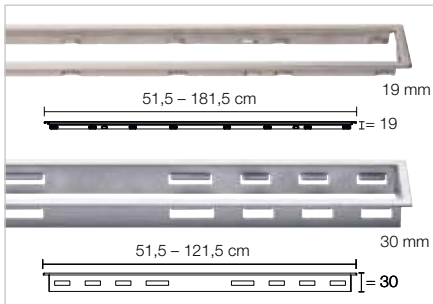
Opmerking:

H = 23 mm voor bekledingsdikte 6 - 18 mm  
De afdekkingen en het frame kunnen niet worden gecombineerd met Schlüter-KERDI-LINE-A/-B/-C/-D.

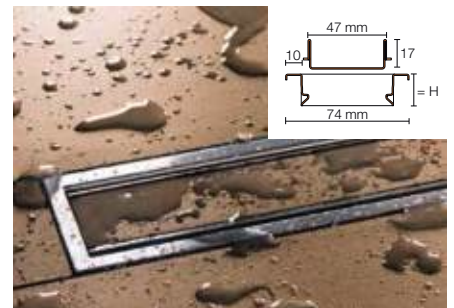
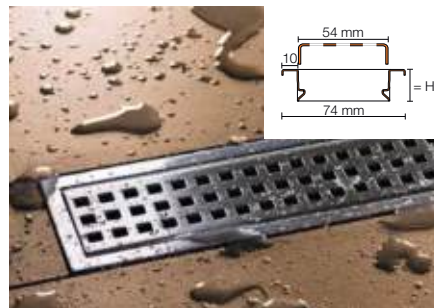
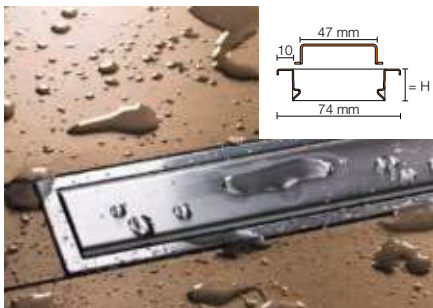
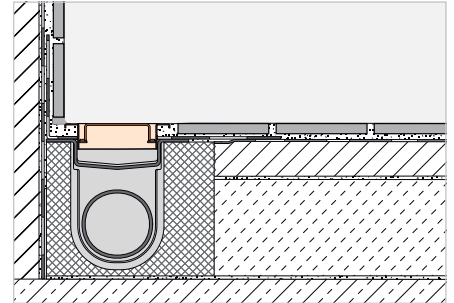


## Rooster-/framecombinatie

## Schlüter®-KERDI-LINE-A/-B/-C



Schlüter-KERDI-LINE zijn profielframes naar keuze van geborsteld, hoogglans gepolijst of gepoedercoat roestvast staal met klassieke afdekkingen, die passen bij de KERDI-LINE goten. De profielframes kunnen voor bekledingsmateriaal van 3 tot 25 mm traploos in de hoogte worden aangepast. De afdekkingen zijn verkrijgbaar in de designs SOLID (A), SQUARE (B) en FRAMED TILE (C). (Productdatablad 8.7)



## Schlüter®-KERDI-LINE-A

Design SOLID, 19 mm frame, roestvast staal V4A geborsteld

| L (cm) | H = 19 mm Art.-No. | € / Set | P (set) |
|--------|--------------------|---------|---------|
| 50     | KLA 19 EB 50       | 250,30  | 10      |
| 60     | KLA 19 EB 60       | 256,99  | 10      |
| 70     | KLA 19 EB 70       | 263,49  | 10      |
| 80     | KLA 19 EB 80       | 270,13  | 10      |
| 90     | KLA 19 EB 90       | 276,68  | 10      |
| 100    | KLA 19 EB 100      | 283,17  | 10      |
| 110    | KLA 19 EB 110      | 290,11  | 10      |
| 120    | KLA 19 EB 120      | 296,81  | 10      |
| 130    | KLA 19 EB 130      | 422,45  | 10      |
| 140    | KLA 19 EB 140      | 441,71  | 10      |
| 150    | KLA 19 EB 150      | 456,90  | 10      |
| 160    | KLA 19 EB 160      | 481,32  | 10      |
| 170    | KLA 19 EB 170      | 501,33  | 10      |
| 180    | KLA 19 EB 180      | 518,35  | 10      |

## Schlüter®-KERDI-LINE-B

Design SQUARE, 19 mm frame, roestvast staal V4A geborsteld

| L (cm) | H = 19 mm Art.-No. | € / Set | P (set) |
|--------|--------------------|---------|---------|
| 50     | KLB 19 EB 50       | 250,30  | 10      |
| 60     | KLB 19 EB 60       | 256,99  | 10      |
| 70     | KLB 19 EB 70       | 263,49  | 10      |
| 80     | KLB 19 EB 80       | 270,13  | 10      |
| 90     | KLB 19 EB 90       | 276,68  | 10      |
| 100    | KLB 19 EB 100      | 283,17  | 10      |
| 110    | KLB 19 EB 110      | 290,11  | 10      |
| 120    | KLB 19 EB 120      | 296,81  | 10      |
| 130    | KLB 19 EB 130      | 422,45  | 10      |
| 140    | KLB 19 EB 140      | 441,71  | 10      |
| 150    | KLB 19 EB 150      | 456,90  | 10      |
| 160    | KLB 19 EB 160      | 481,32  | 10      |
| 170    | KLB 19 EB 170      | 501,33  | 10      |
| 180    | KLB 19 EB 180      | 518,35  | 10      |

## Schlüter®-KERDI-LINE-C

Design FRAMED TILE, 19 mm frame, roestvast staal V4A geborsteld

| L (cm) | H = 19 mm Art.-No. | € / Set | P (set) |
|--------|--------------------|---------|---------|
| 50     | KLCA 19 EB 50      | 250,30  | 10      |
| 60     | KLCA 19 EB 60      | 256,99  | 10      |
| 70     | KLCA 19 EB 70      | 263,49  | 10      |
| 80     | KLCA 19 EB 80      | 270,13  | 10      |
| 90     | KLCA 19 EB 90      | 276,68  | 10      |
| 100    | KLCA 19 EB 100     | 283,17  | 10      |
| 110    | KLCA 19 EB 110     | 290,11  | 10      |
| 120    | KLCA 19 EB 120     | 296,81  | 10      |
| 130    | KLCA 19 EB 130     | 422,45  | 10      |
| 140    | KLCA 19 EB 140     | 441,71  | 10      |
| 150    | KLCA 19 EB 150     | 456,90  | 10      |
| 160    | KLCA 19 EB 160     | 481,32  | 10      |
| 170    | KLCA 19 EB 170     | 501,33  | 10      |
| 180    | KLCA 19 EB 180     | 518,35  | 10      |

## Opmerking:

H = 19 mm voor bekledingsdikte 3–15 mm

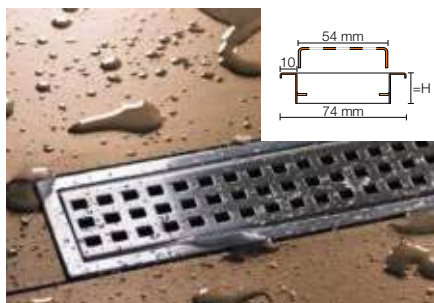
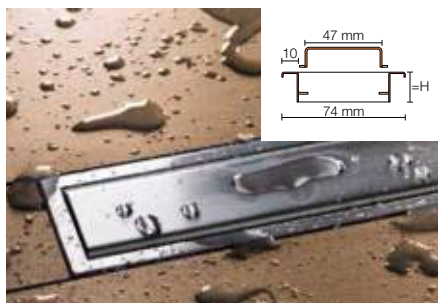
## Opmerking:

Tegelgoot (design C) geschikt voor tegeldiktes tot 15 mm

**i**  
De profielframes Schlüter-KERDI-LINE-A/-B/-C zijn ook verkrijgbaar met een persoonlijke gravure. Meer informatie vindt u vanaf pagina 32.



## Rooster-/framecombinatie



### Schlüter®-KERDI-LINE-A

Design SOLID, 30 mm frame, roestvast staal V4A geborsteld

| L (cm) | H = 30 mm Art.-No. | € / Set | P (set) |
|--------|--------------------|---------|---------|
| 50     | KLA 30 EB 50       | 258,07  | 10      |
| 60     | KLA 30 EB 60       | 264,26  | 10      |
| 70     | KLA 30 EB 70       | 270,92  | 10      |
| 80     | KLA 30 EB 80       | 278,82  | 10      |
| 90     | KLA 30 EB 90       | 284,41  | 10      |
| 100    | KLA 30 EB 100      | 291,37  | 10      |
| 110    | KLA 30 EB 110      | 298,19  | 10      |
| 120    | KLA 30 EB 120      | 303,77  | 10      |

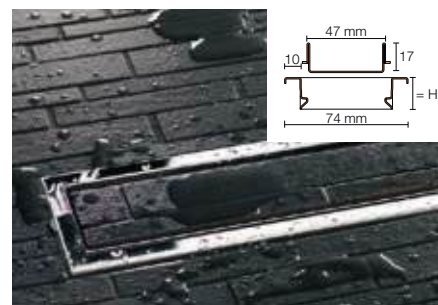
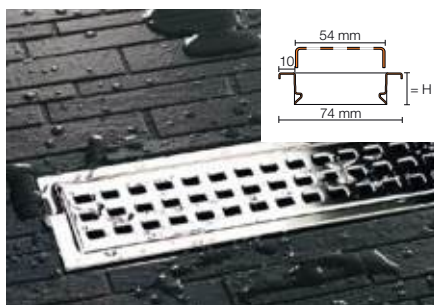
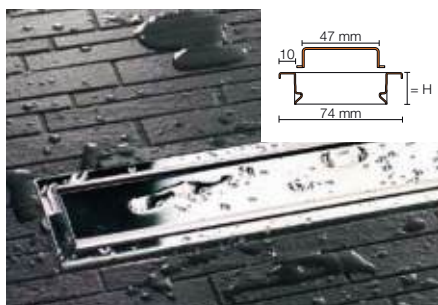
### Schlüter®-KERDI-LINE-B

Design SQUARE, 30 mm frame, roestvast staal V4A geborsteld

| L (cm) | H = 30 mm Art.-No. | € / Set | P (set) |
|--------|--------------------|---------|---------|
| 50     | KLB 30 EB 50       | 258,07  | 10      |
| 60     | KLB 30 EB 60       | 264,26  | 10      |
| 70     | KLB 30 EB 70       | 270,92  | 10      |
| 80     | KLB 30 EB 80       | 278,82  | 10      |
| 90     | KLB 30 EB 90       | 284,41  | 10      |
| 100    | KLB 30 EB 100      | 291,37  | 10      |
| 110    | KLB 30 EB 110      | 298,19  | 10      |
| 120    | KLB 30 EB 120      | 303,77  | 10      |

#### Opmerking:

H = 30 mm voor bekledingsdikte 13 - 25 mm



### Schlüter®-KERDI-LINE-A

Design SOLID, 19 mm frame, roestvast staal V4A hoogglans gepolijst

| L (cm) | H = 19 mm Art.-No. | € / Set | P (set) |
|--------|--------------------|---------|---------|
| 50     | KLA 19 EP 50       | 271,58  | 10      |
| 60     | KLA 19 EP 60       | 278,82  | 10      |
| 70     | KLA 19 EP 70       | 285,85  | 10      |
| 80     | KLA 19 EP 80       | 293,09  | 10      |
| 90     | KLA 19 EP 90       | 300,18  | 10      |
| 100    | KLA 19 EP 100      | 307,24  | 10      |
| 110    | KLA 19 EP 110      | 314,78  | 10      |
| 120    | KLA 19 EP 120      | 322,03  | 10      |

### Schlüter®-KERDI-LINE-B

Design SQUARE, 19 mm frame, roestvast staal V4A hoogglans gepolijst

| L (cm) | H = 19 mm Art.-No. | € / Set | P (set) |
|--------|--------------------|---------|---------|
| 50     | KLB 19 EP 50       | 271,58  | 10      |
| 60     | KLB 19 EP 60       | 278,82  | 10      |
| 70     | KLB 19 EP 70       | 285,85  | 10      |
| 80     | KLB 19 EP 80       | 293,09  | 10      |
| 90     | KLB 19 EP 90       | 300,18  | 10      |
| 100    | KLB 19 EP 100      | 307,24  | 10      |
| 110    | KLB 19 EP 110      | 314,78  | 10      |
| 120    | KLB 19 EP 120      | 322,03  | 10      |

### Schlüter®-KERDI-LINE-C

Design FRAMED TILE, 19 mm frame, roestvast staal V4A hoogglans gepolijst

| L (cm) | H = 19 mm Art.-No. | € / Set | P (set) |
|--------|--------------------|---------|---------|
| 50     | KLCA 19 EP 50      | 261,55  | 10      |
| 60     | KLCA 19 EP 60      | 268,55  | 10      |
| 70     | KLCA 19 EP 70      | 275,32  | 10      |
| 80     | KLCA 19 EP 80      | 282,30  | 10      |
| 90     | KLCA 19 EP 90      | 289,10  | 10      |
| 100    | KLCA 19 EP 100     | 295,91  | 10      |
| 110    | KLCA 19 EP 110     | 303,19  | 10      |
| 120    | KLCA 19 EP 120     | 310,14  | 10      |

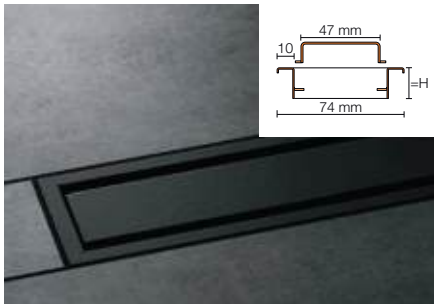
#### Opmerking:

H = 19 mm voor bekledingsdikte 3 - 15 mm

**i**  
Roestvast staal hoogglans gepolijst – passend bij chromoppervlakken

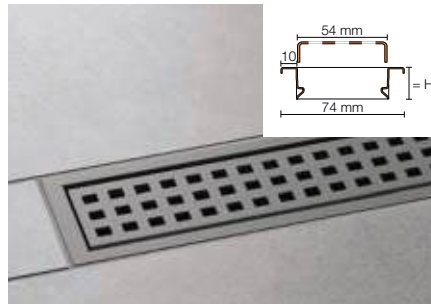
#### Opmerking:

Tegelgoot (design C) geschikt voor tegeldiktes tot 15 mm

**Schlüter®-KERDI-LINE-A**

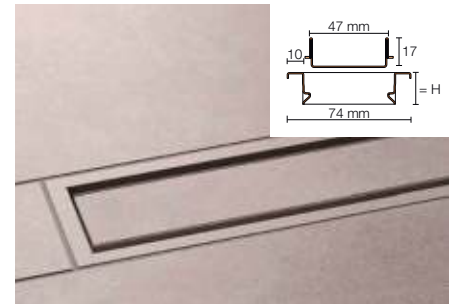
Design SOLID, 19 mm frame,  
roestvast staal V4A met kleurcoating

| L (cm) | H = 19 mm<br>Art.-No. | € / Set | P (set) |
|--------|-----------------------|---------|---------|
| 50     | KLA 19 ...* 50        | 325,39  | 10      |
| 60     | KLA 19 ...* 60        | 334,08  | 10      |
| 70     | KLA 19 ...* 70        | 342,52  | 10      |
| 80     | KLA 19 ...* 80        | 351,18  | 10      |
| 90     | KLA 19 ...* 90        | 359,67  | 10      |
| 100    | KLA 19 ...* 100       | 368,13  | 10      |
| 110    | KLA 19 ...* 110       | 377,14  | 10      |
| 120    | KLA 19 ...* 120       | 385,86  | 10      |

**Schlüter®-KERDI-LINE-B**

Design SQUARE, 19 mm frame,  
roestvast staal V4A met kleurcoating

| L (cm) | H = 19 mm<br>Art.-No. | € / Set | P (set) |
|--------|-----------------------|---------|---------|
| 50     | KLB 19 ...* 50        | 325,39  | 10      |
| 60     | KLB 19 ...* 60        | 334,08  | 10      |
| 70     | KLB 19 ...* 70        | 342,52  | 10      |
| 80     | KLB 19 ...* 80        | 351,18  | 10      |
| 90     | KLB 19 ...* 90        | 359,67  | 10      |
| 100    | KLB 19 ...* 100       | 368,13  | 10      |
| 110    | KLB 19 ...* 110       | 377,14  | 10      |
| 120    | KLB 19 ...* 120       | 385,86  | 10      |

**Schlüter®-KERDI-LINE-C**

Design FRAMED TILE, 19 mm frame,  
roestvast staal V4A met kleurcoating

| L (cm) | H = 19 mm<br>Art.-No. | € / Set | P (set) |
|--------|-----------------------|---------|---------|
| 50     | KLCA 19 ...* 50       | 325,39  | 10      |
| 60     | KLCA 19 ...* 60       | 334,08  | 10      |
| 70     | KLCA 19 ...* 70       | 342,52  | 10      |
| 80     | KLCA 19 ...* 80       | 351,18  | 10      |
| 90     | KLCA 19 ...* 90       | 359,67  | 10      |
| 100    | KLCA 19 ...* 100      | 368,13  | 10      |
| 110    | KLCA 19 ...* 110      | 377,14  | 10      |
| 120    | KLCA 19 ...* 120      | 385,86  | 10      |

**Schlüter®-KERDI-LINE-A** ★

Design SOLID, 19 mm frame,  
roestvast staal V4A met structuurcoating

| L (cm) | H = 19 mm<br>Art.-No. | € / Set | P (set) |
|--------|-----------------------|---------|---------|
| 50     | KLA 19 ...** 50       | 333,20  | 10      |
| 60     | KLA 19 ...** 60       | 342,09  | 10      |
| 70     | KLA 19 ...** 70       | 350,74  | 10      |
| 80     | KLA 19 ...** 80       | 359,61  | 10      |
| 90     | KLA 19 ...** 90       | 368,31  | 10      |
| 100    | KLA 19 ...** 100      | 376,96  | 10      |
| 110    | KLA 19 ...** 110      | 386,19  | 10      |
| 120    | KLA 19 ...** 120      | 395,03  | 10      |

**Schlüter®-KERDI-LINE-B** ★

Design SQUARE, 19 mm frame,  
roestvast staal V4A met structuurcoating

| L (cm) | H = 19 mm<br>Art.-No. | € / Set | P (set) |
|--------|-----------------------|---------|---------|
| 50     | KLB 19 ...** 50       | 333,20  | 10      |
| 60     | KLB 19 ...** 60       | 342,09  | 10      |
| 70     | KLB 19 ...** 70       | 350,74  | 10      |
| 80     | KLB 19 ...** 80       | 359,61  | 10      |
| 90     | KLB 19 ...** 90       | 368,31  | 10      |
| 100    | KLB 19 ...** 100      | 376,96  | 10      |
| 110    | KLB 19 ...** 110      | 386,19  | 10      |
| 120    | KLB 19 ...** 120      | 395,03  | 10      |

**Schlüter®-KERDI-LINE-C** ★

Design FRAME TILE, 19 mm frame,  
roestvast staal V4A met structuurcoating

| L (cm) | H = 19 mm<br>Art.-No. | € / Set | P (set) |
|--------|-----------------------|---------|---------|
| 50     | KLCA 19 ...** 50      | 333,20  | 10      |
| 60     | KLCA 19 ...** 60      | 342,09  | 10      |
| 70     | KLCA 19 ...** 70      | 350,74  | 10      |
| 80     | KLCA 19 ...** 80      | 359,61  | 10      |
| 90     | KLCA 19 ...** 90      | 368,31  | 10      |
| 100    | KLCA 19 ...** 100     | 376,96  | 10      |
| 110    | KLCA 19 ...** 110     | 386,19  | 10      |
| 120    | KLCA 19 ...** 120     | 395,03  | 10      |

**Opmerking:**

H = 19 mm voor bekledingsdikte 3–15 mm

Art.-No. aanvullen met oppervlak/kleur (bijv. KLCA 19 TSOB 120)

\* Oppervlakken/kleuren: MBW - MGS

\*\* Oppervlakken/kleuren: TSBG - TSC - TSDA - TSG - TSI - TSOB - TSSG

**Opmerking:**

Tegelgoot (design C) geschikt  
voor tegeldiktes tot 15 mm

**Beschikbare oppervlakken | Kleuren**

Een overzicht van de oppervlakken en kleuren vindt u vanaf pagina 342.

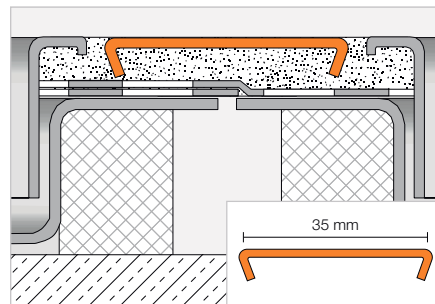


## Toebehoren

### Schlüter®-KERDI-LINE-FC



Schlüter-KERDI-LINE-FC is een roestvast-stalen element voor de optische verbinding van rooster-/framesets bij de installatie van meerdere Schlüter-KERDI-LINE lijnafvoergoten naast elkaar, voor zowel inlegframes als profielframes.  
(Productdatablad 8.7)



#### Schlüter®-KERDI-LINE-FC

Frame-verbinding,  
roestvast staal V4A geborsteld

| Art.-No.     | € / St. | P (st.) |
|--------------|---------|---------|
| V / KL EB 35 | 14,70   | 10      |

#### Schlüter®-KERDI-LINE-FC

Frame-verbinding,  
roestvast staal V4A hoogglans gepolijst

| Art.-No.     | € / St. | P (st.) |
|--------------|---------|---------|
| V / KL EP 35 | 15,46   | 10      |

#### Schlüter®-KERDI-LINE-FC

Frame-verbinding,  
roestvast staal V4A met kleurcoating

| Art.-No.         | € / St. | P (st.) |
|------------------|---------|---------|
| ★ V / KL ...* 35 | 19,11   | 10      |

#### Schlüter®-KERDI-LINE-FC

Frame-verbinding,  
roestvast staal V4A met structuurcoating

| Art.-No.        | € / St. | P (st.) |
|-----------------|---------|---------|
| V / KL ...** 35 | 19,57   | 10      |



Art.-No. aanvullen met oppervlak/kleur (bijv. V / KL TSOB 35)

\* Oppervlakken/kleuren: MBW - MGS

\*\* Oppervlakken/kleuren: TSBG - TSC - TSDA - TSG - TSI - TSOB - TSSG

## Beschikbare oppervlakken | Kleuren



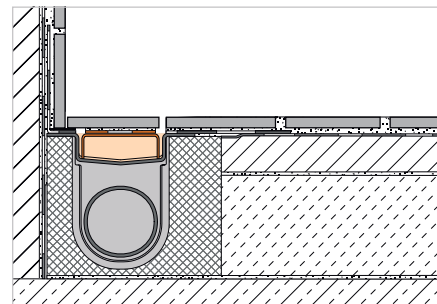
Een overzicht van de oppervlakken en kleuren vindt u vanaf pagina 342.

## Tegeldrager

## Schlüter®-KERDI-LINE-D



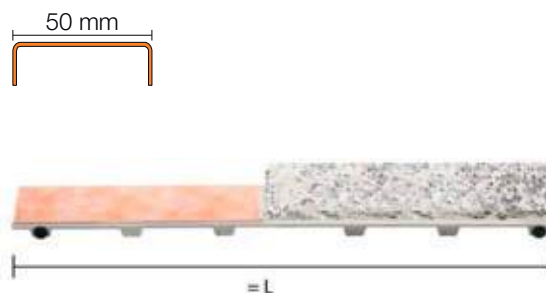
Schlüter-KERDI-LINE-D is een gootafdekking zonder frame, passend voor Schlüter-KERDI-LINE-goten. De tegeldrager is voorzien van een vlies voor de verankering in de tegellijm en universeel geschikt voor alle bekledingsdiktes. (Productdatablad 8.7)



## Schlüter®-KERDI-LINE-D

Design TILE (zonder frame), roestvast staal V4A

| L (cm) | Art.-No.  | € / St.       | P (st.) |
|--------|-----------|---------------|---------|
| 49     | KLD E 50  | <b>103,07</b> | 10      |
| 59     | KLD E 60  | <b>108,91</b> | 10      |
| 69     | KLD E 70  | <b>116,63</b> | 10      |
| 79     | KLD E 80  | <b>123,57</b> | 10      |
| 89     | KLD E 90  | <b>130,19</b> | 10      |
| 99     | KLD E 100 | <b>138,32</b> | 10      |
| 109    | KLD E 110 | <b>146,44</b> | 10      |
| 119    | KLD E 120 | <b>153,07</b> | 10      |
| 129    | KLD E 130 | <b>225,57</b> | 10      |
| 139    | KLD E 140 | <b>232,44</b> | 10      |
| 149    | KLD E 150 | <b>242,59</b> | 10      |
| 159    | KLD E 160 | <b>253,97</b> | 10      |
| 169    | KLD E 170 | <b>263,85</b> | 10      |
| 179    | KLD E 180 | <b>285,10</b> | 10      |

**Opmerking:**

De lengte van de gekozen tegeldrager moet overeenkomen met de lengte van de goot.

Schlüter-KERDI-LINE-D kan niet worden gecombineerd met de decentrale verticale afwatering Schlüter-KERDI-LINE-VOS.



## Brandwerend inzetstuk

### Schlüter®-KERDI-LINE-BS



Schlüter-KERDI-LINE-BS is een toegelaten brandwerend inzetstuk met klemring, dat samen met de verticale lijnafvoergoot KLV 50 G2 uit roestvast staal een brandoverdracht tussen verdiepingen voorkomt. (Productdatablad 8.7)



#### Schlüter®-KERDI-LINE-BS

Brandwerend inzetstuk met klemring

| Art.-No. | € / St. | P (st.) |
|----------|---------|---------|
| KL BS    | 170,95  | 10      |

## Brandwerend inzetstuk

### Schlüter®-KERDI-DRAIN-ZBS



Schlüter-KERDI-DRAIN-ZBS is een doorgangsdichting met brandwerende functie. Ze dient, ook als cementstabilisatie, samen met de verticale bodemafvoerset KD BAV 50 GVB of de verticale roestvaststalen lijnafvoergoot KLV 50 G2, als brandwerende dichting van het boorgat (Ø 160 mm) en verhindert de vorming van geluidsbruggen. Geldt enkel in combinatie met KD BS of KL BS als toegelaten brandwering. (Productdatablad 8.2)

#### Schlüter®-KERDI-DRAIN-ZBS

Doorgangsdichting met brandwerende functie

| Art.-No. | € / St. | P (st.) |
|----------|---------|---------|
| KD ZBS   | 175,67  | 10      |

## Stankafsluiter

### Schlüter®-KERDI-LINE-GTO



Schlüter-KERDI-LINE-GTO is een stankafsluiter met siliconen afsluitklep. Hij kan in weinig gebruikte afvoersystemen (bijv. vakantiehuisen) in plaats van de standaard stankafsluiter worden gebruikt en voorkomt stankvorming als gevolg van een eventueel uitgedroogde stankafsluiting. Met zijn afvoercapaciteit van min. 0,4 l/s kan hij de standaard stankafsluiter ook vervangen. (Productdatablad 8.7)

#### Schlüter®-KERDI-LINE-GTO

Droge stankafsluiter

| Art.-No. | € / St. | P (st.) |
|----------|---------|---------|
| KL GTO   | 33,00   | 10      |

#### Opmerking:

Niet geschikt voor Schlüter-KERDI-LINE-F/-VS/-VOS.

## Stankafsluiter

## Schlüter®-KERDI-LINE-GTM



Schlüter-KERDI-LINE-GTM is een siliconen afsluitklep als vervanging/reserveonderdeel voor Schlüter-KERDI-DRAIN-R10 GT en Schlüter-KERDI-LINE-GTO.  
(Productdatablad 8.7)

## Schlüter®-KERDI-LINE-GTM

Vervang-afsluitklep

| Art.-No. | € / St. | P (st.) |
|----------|---------|---------|
| KL GTM   | 17,81   | 10      |

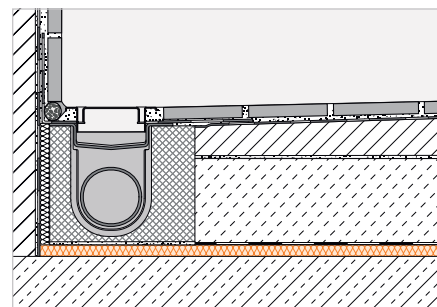
## Geluidsisolatiemat

## Schlüter®-KERDI-LINE-SR



Schlüter-KERDI-LINE-SR is een isolatiemat van een speciaal vlies met geluidsreducerende eigenschappen. Bij een correcte montage voldoen constructies met Schlüter-KERDI-LINE en KERDI-LINE-SR aan de eisen van de normen voor geluidsreductie in douches.

(Productdatablad 8.7)



## Schlüter®-KERDI-LINE-SR

PES-vlies mat (inhoud: 1 mat)

| Dikte (mm) | Art.-No.  | € / St. | P (st.) |
|------------|-----------|---------|---------|
| 10         | KL SR 250 | 23,44   | 5       |

## Schlüter®-KERDI-LINE-SR

PES-vlies mat (inhoud: 4 matten)

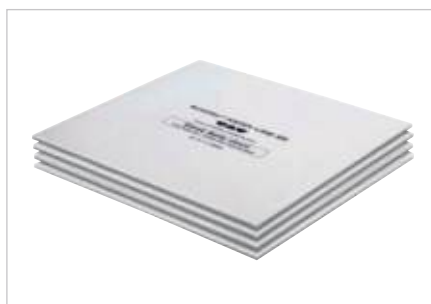
| Dikte (mm) | Art.-No.   | € / Pakket | P (pakket) |
|------------|------------|------------|------------|
| 10         | KL SR 1000 | 78,93      | 5          |

## Schlüter®-DITRA-SOUND-KB

Naadafdekband

| 38 mm x 50 m Art.-No. | € / St. | P (st.) |
|-----------------------|---------|---------|
| DS KB 38              | 17,21   | 10      |

Afmetingen van de afzonderlijke matten: 0,5 m x 0,5 m = 0,25 m<sup>2</sup>

**Opmerking:**

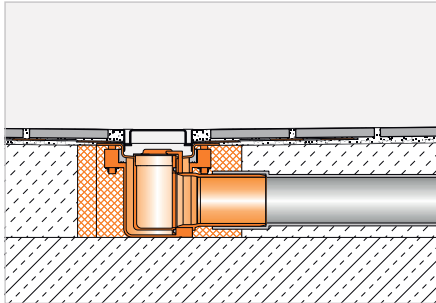
Voor de geteste systeemconstructies verwijzen wij naar onze ontwerp- en uitvoeringsgegevens.



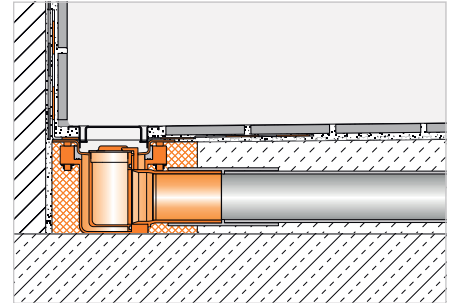
**i**  
De afvoer is alleen voor de Britse markt bedoeld. Buitendiameter 43 mm

## Lijnafvoergoot horizontaal

### Schlüter®-KERDI-LINE-G3



Schlüter-KERDI-LINE-G3 is een roestvaststalen lijnafvoergoot met lage opbouwhoogte. Deze afwatering is verkrijgbaar met een centrale, decentrale of dubbele afvoer en is geschikt voor plaatsing tegen de wand of centrale plaatsing. Net als alle andere Schlüter-lijnafvoergoten is hij af fabriek voorzien van een gemonteerde manchet gemaakt van Schlüter-KERDI, waardoor een betrouwbare aansluiting op de contactafdichting ontstaat.



#### Schlüter®-KERDI-LINE-G3

Afvoer midden, roestvaststalen lijnafvoergoot V4A

| L (cm) | L1 (cm) | Art.-No.        | € / Set       | P (set) |
|--------|---------|-----------------|---------------|---------|
| 50     | 55      | KL F 43 G3E 50  | <b>353,83</b> | 10      |
| 60     | 65      | KL F 43 G3E 60  | <b>366,93</b> | 10      |
| 70     | 75      | KL F 43 G3E 70  | <b>380,03</b> | 10      |
| 80     | 85      | KL F 43 G3E 80  | <b>393,14</b> | 10      |
| 90     | 95      | KL F 43 G3E 90  | <b>406,26</b> | 10      |
| 100    | 105     | KL F 43 G3E 100 | <b>419,36</b> | 10      |
| 110    | 115     | KL F 43 G3E 110 | <b>432,47</b> | 10      |
| 120    | 125     | KL F 43 G3E 120 | <b>445,57</b> | 10      |



#### Schlüter®-KERDI-LINE-G3

Afvoer links, roestvaststalen lijnafvoergoot V4A

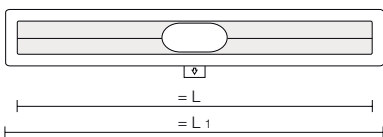
| L (cm) | L1 (cm) | Art.-No.          | € / Set       | P (set) |
|--------|---------|-------------------|---------------|---------|
| 70     | 75      | KL FOL 43 G3E 70  | <b>419,36</b> | 10      |
| 80     | 85      | KL FOL 43 G3E 80  | <b>432,47</b> | 10      |
| 90     | 95      | KL FOL 43 G3E 90  | <b>445,57</b> | 10      |
| 100    | 105     | KL FOL 43 G3E 100 | <b>458,67</b> | 10      |
| 110    | 115     | KL FOL 43 G3E 110 | <b>471,78</b> | 10      |
| 120    | 125     | KL FOL 43 G3E 120 | <b>484,88</b> | 10      |

#### Set-componenten:

- 1 Hoekafdichting (voor opgaande zijwand)
- 2 Goot met afdichtingsmanchet
- 3 Stankafsluiter
- 4 EPDM-dichting
- 5 Afvoerbehuizing
- 6 Gootdrager

#### Technische gegevens:

|                                      |  |
|--------------------------------------|--|
| Afvoer                               | BS 40 (43 mm buitendiameter)                         |
| Afvoercapaciteit                     | 0,45 l/s (enkele afvoer)<br>0,8 l/s (dubbele afvoer) |
| Restwaterhoogte                      | 50 mm  |
| Inbouwhoogte                         | 78 mm  |
| Breedte van de afdekking incl. frame | 74 mm  |

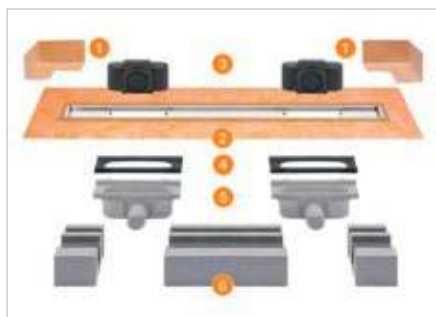




### Schlüter®-KERDI-LINE-G3

Afvoer rechts, roestvaststalen lijnafvoergoot V4A

| L (cm) | L1 (cm) | Art.-No.          | € / Set       | P (set) |
|--------|---------|-------------------|---------------|---------|
| 70     | 75      | KL FOR 43 G3E 70  | <b>419,36</b> | 10      |
| 80     | 85      | KL FOR 43 G3E 80  | <b>432,47</b> | 10      |
| 90     | 95      | KL FOR 43 G3E 90  | <b>445,57</b> | 10      |
| 100    | 105     | KL FOR 43 G3E 100 | <b>458,67</b> | 10      |
| 110    | 115     | KL FOR 43 G3E 110 | <b>471,78</b> | 10      |
| 120    | 125     | KL FOR 43 G3E 120 | <b>484,88</b> | 10      |



### Schlüter®-KERDI-LINE-G3

Afvoer dubbel, roestvaststalen lijnafvoergoot V4A

| L (cm) | L1 (cm) | Art.-No.          | € / Set       | P (set) |
|--------|---------|-------------------|---------------|---------|
| 100    | 105     | KL F20 43 G3E 100 | <b>550,41</b> | 10      |
| 110    | 115     | KL F20 43 G3E 110 | <b>563,51</b> | 10      |
| 120    | 125     | KL F20 43 G3E 120 | <b>576,61</b> | 10      |

#### Set-componenten:

- 1 Hoekafdichting (voor opgaande zijwand)
- 2 Goot met afdichtingsmanchet
- 3 Stankafsluiter
- 4 EPDM-dichting
- 5 Afvoerbehuizing
- 6 Gootdrager

#### Technische gegevens:

|                                      |  |
|--------------------------------------|--|
| Afvoer                               | BS 40 (43 mm buitendiameter)                         |
| Afvoercapaciteit                     | 0,45 l/s (enkele afvoer)<br>0,8 l/s (dubbele afvoer) |
| Restwaterhoogte                      | 50 mm  |
| Inbouwhoogte                         | 78 mm  |
| Breedte van de afdekking incl. frame | 74 mm  |

**i**  
Schlüter-KERDI-LINE-G3 kan alleen met de rooster-/framecombinaties design A, design B en KERDI-LINE-STYLE worden gecombineerd.



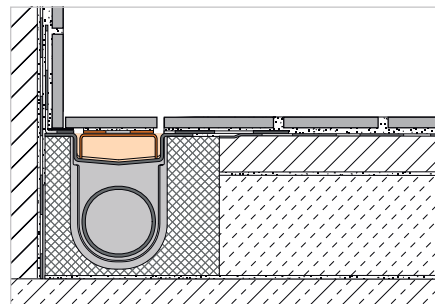
## Tegeldrager

**i**  
Deze gootafdekking is alleen voor de Britse markt bedoeld.

### Schlüter®-KERDI-LINE-D-G3



Schlüter-KERDI-LINE-D-G3 is een gootafdekking zonder frame, passend bij de Schlüter-KERDI-LINE-G3 goot. De tegeldrager is voorzien van een vlies voor de verankering in de tegellijm en universeel geschikt voor alle bekledingsdiktes.



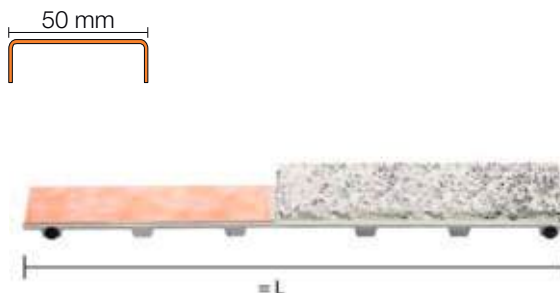
#### Opmerking:

De lengte van de gekozen tegeldrager moet overeenkomen met de lengte van de goot.

#### Schlüter®-KERDI-LINE-D-G3

Design TILE (zonder frame), roestvast staal V4A

| L (cm) | Art.-No.    | € / St. | P (st.) |
|--------|-------------|---------|---------|
| 49     | KLD G3E 50  | 103,07  | 10      |
| 59     | KLD G3E 60  | 108,91  | 10      |
| 69     | KLD G3E 70  | 116,63  | 10      |
| 79     | KLD G3E 80  | 123,57  | 10      |
| 89     | KLD G3E 90  | 130,19  | 10      |
| 99     | KLD G3E 100 | 138,32  | 10      |
| 109    | KLD G3E 110 | 146,44  | 10      |
| 119    | KLD G3E 120 | 153,07  | 10      |



**i**  
Het installatiemateriaal is alleen voor de Britse markt bedoeld!

## Installatie toebehoren

### Schlüter®-KERDI-LINE-F-G3



Schlüter-KERDI-LINE-F-G3 Timber Accessory is een toebehorenset voor de installatie van de afvoergoot Schlüter-KERDI-LINE-G3 in een houten draagvloer met gebruik van de hellingsplaat Schlüter-KERDI-SHOWER-LTS (KSLT 1365 / 2000 S).

#### Schlüter®-KERDI-LINE-F-G3

Installatie toebehoren voor lijnafvoergoot Schlüter-KERDI-LINE-G3

| Art.-No.      | € / Set | P (set) |
|---------------|---------|---------|
| KL F 43 G3 TA | 52,20   | 10      |

## Complete set

## Schlüter®-KERDI-LINE-A sets



Schlüter-KERDI-LINE-A sets zijn complete sets voor lineaire inloopdouches met een horizontale afvoer. Ze zijn universeel geschikt voor de centrale plaatsing of plaatsing tegen de wand. Op de rondom liggende kleefflens van de goot is af fabriek standaard een manchets uit Schlüter-KERDI vast verlijmd. Deze dient voor de betrouwbare aansluiting van de goot op de contactafdichting, zowel op vloeren als tegen opgaande wanden. In de set zijn passende frames voor de goot uit roestvast staal geborsteld met de design-afdekking Schlüter-KERDI-LINE-A opgenomen. (Productdatablad 8.7)



## Schlüter®-KERDI-LINE-A set

Roestvaststalen lijnafvoergoot V4A met stankafsluiter, afvoer DN 40 horizontaal, incl. designrooster SOLID met 19 mm frame, roestvast staal V4A geborsteld

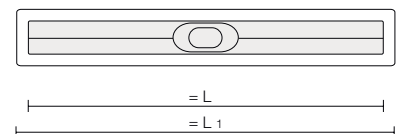
| L (cm) | L1 (cm) | Art.-No.        | € / Set       | PL (Set) |
|--------|---------|-----------------|---------------|----------|
| 80     | 85      | KLA 19 EB 80 S1 | <b>584,36</b> | 10       |
| 90     | 95      | KLA 19 EB 90 S1 | <b>600,44</b> | 10       |

**Opmerking:**

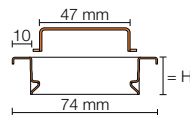
Framehoogte 19 mm voor bekledingsdikte 3 - 15 mm

**Technische gegevens:**

|                                      |         |
|--------------------------------------|---------|
| Afvoer                               | DN 40   |
| Afvoercapaciteit                     | 0,5 l/s |
| Restwaterhoogte                      | 25 mm   |
| Inbouwhoogte                         | 78 mm   |
| Breedte van de afdekking incl. frame | 74 mm   |

**Set-componenten:**

- 1 Rooster-/framecombinatie met designrooster SOLID
- 2 Hoekafdichting (voor zijdelingse wandaansluiting)
- 3 Tweedelige stankafsluiter
- 4 Goot met afdichtingsmanchet
- 5 Afvoerbehuizing
- 6 Afvoerbuis
- 7 Gootdrager
- 8 Verloopstuk DN 40 naar DN 50



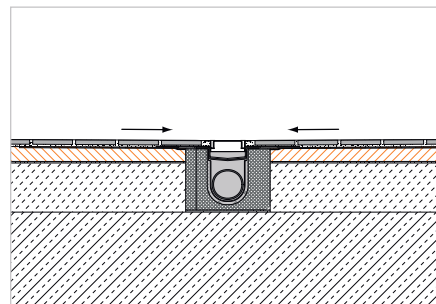


## Hellingsplaat

### Schlüter®-KERDI-SHOWER-LT



Schlüter-KERDI-SHOWER-LT is een hellingsplaat van drukvast polystyreen met een af fabriek aangebrachte Schlüter-KERDI afdichting. In de inloopdouche wordt hiermee voldoende afschot gecreëerd voor een in het midden geplaatste Schlüter-KERDI-LINE lijnafvoergoot. De hellingsplaat wordt aan beide zijden van de afvoergoot op een vooraf aangebrachte nivelleringslaag geplaatst. Bij een verticale afvoer kan de hellingsplaat ook direct op een geschikte, bestaande ondergrond worden gelegd. Langs de aangegeven snijgroeven kan de plaat heel eenvoudig met een cuttermes op maat worden gesneden. (Productdatablad 8.8)



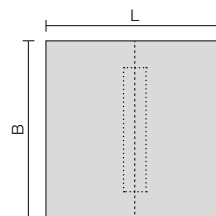
### Schlüter®-KERDI-SHOWER-LT

Hellingsplaat voor lijnafvoergoot, centrale plaatsing

| L x B (cm) | H (mm) | Afschot (%) | Art.-No.  | € / St.       | P (st.) |
|------------|--------|-------------|-----------|---------------|---------|
| 100 x 100  | 32     | 2           | KSLT 1000 | <b>184,89</b> | 10      |
| 122 x 122  | 34     | 2           | KSLT 1220 | <b>216,76</b> | 10      |
| 139 x 139  | 36     | 2           | KSLT 1395 | <b>261,40</b> | 10      |

#### Opmerking:

Schlüter-KERDI-SHOWER-LT passend voor Schlüter-KERDI-LINE-H en -KERDI-LINE-V; niet geschikt voor Schlüter-KERDI-LINE-F.



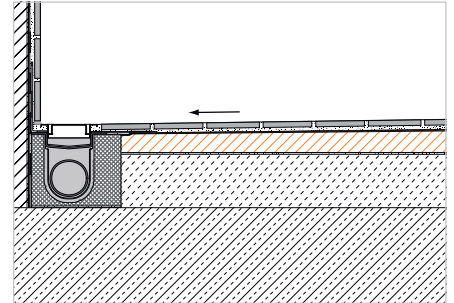
## Hellingsplaat

### Schlüter®-KERDI-SHOWER-LTS



Schlüter-KERDI-SHOWER-LTS is een hellingsplaat van drukvast polystyreen met een af fabriek aangebrachte Schlüter-KERDI afdichting. In de inloopdouche wordt hiermee voldoende afschot gecreëerd voor een tegen de wand geplaatste Schlüter-KERDI-LINE lijnafvoergoot. De hellingsplaat wordt aan de afvoergoot op een vooraf aangebrachte nivelleringslaag geplaatst. Bij een verticale afvoer kan de hellingsplaat ook direct op een geschikte, bestaande ondergrond worden gelegd. Langs de aangegeven snijgroeven kan de plaat heel eenvoudig met een cuttermes op maat worden gesneden.

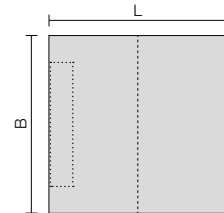
(Productdatablad 8.8)



#### Schlüter®-KERDI-SHOWER-LTS

Hellingsplaat voor lijnafvoergoot, wandversie vierkant

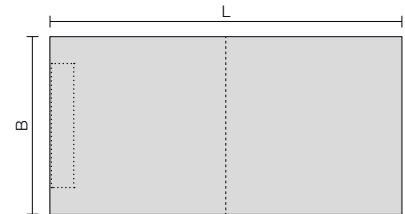
| L x B (cm) | H (mm) | H1 (mm) | Afschot (%) | Art.-No.    | € / St.       | P (st.) |
|------------|--------|---------|-------------|-------------|---------------|---------|
| 100 x 100  | 42     | 22      | 2           | KSLT 1000 S | <b>184,89</b> | 10      |
| 122 x 122  | 46     | 22      | 2           | KSLT 1220 S | <b>216,76</b> | 10      |
| 139 x 139  | 50     | 22      | 2           | KSLT 1395 S | <b>261,40</b> | 10      |



#### Schlüter®-KERDI-SHOWER-LTS

Hellingsplaat voor lijnafvoergoot, wandversie korte zijde

| L x B (cm) | H (mm) | H1 (mm) | Afschot (%) | Art.-No.            | € / St.       | P (st.) |
|------------|--------|---------|-------------|---------------------|---------------|---------|
| 139 x 91   | 50     | 22      | 2           | KSLT 915 / 1395 S   | <b>210,39</b> | 10      |
| 183 x 91   | 58     | 22      | 2           | KSLT 915 / 1830 S   | <b>274,15</b> | 10      |
| 193 x 96   | 60     | 22      | 2           | KSLT 965 / 1930 S   | <b>286,89</b> | 10      |
| 200 x 136  | 39     | 13      | 1,25        | KSLT 1365 / 2000 S* | <b>299,65</b> | 10      |

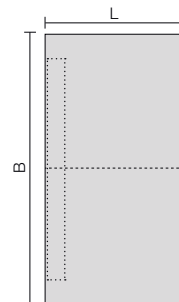


\* Passend voor Schlüter-KERDI-LINE-H – niet geschikt voor Schlüter-KERDI-LINE-F en -KERDI-LINE-V. Het afschot van deze plaat is 1,25 %. Het kan worden gecombineerd met Schlüter-SHOWERPROFILE-SPSC.

#### Schlüter®-KERDI-SHOWER-LTS

Hellingsplaat voor lijnafvoergoot, wandversie lange zijde

| L x B (cm) | H (mm) | H1 (mm) | Afschot (%) | Art.-No.          | € / St.       | P (st.) |
|------------|--------|---------|-------------|-------------------|---------------|---------|
| 96 x 193   | 41     | 22      | 2           | KSLT 1930 / 965 S | <b>286,89</b> | 10      |



#### Opmerking:

Schlüter-KERDI-LINE-LTS (met uitzondering van KSLT 1365 / 2000 S\*) passend voor Schlüter-KERDI-LINE-H en -KERDI-LINE-V; niet geschikt voor Schlüter-KERDI-LINE-F.



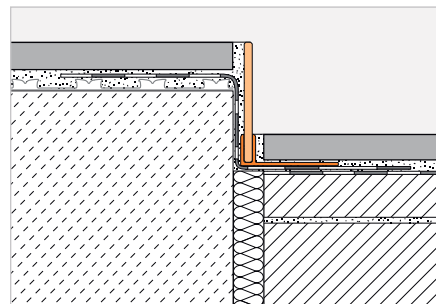
## Afschotprofiel

### Schlüter®-SHOWERPROFILE-S



Schlüter-SHOWERPROFILE-S is een afschotprofiel van geborsteld of gepoedercoat roestvast staal met naar keuze 1,25 % of 2 % helling die de zijken van inlopdouches bekleedt. Op de achterzijde van het profiel is een vlies aangebracht voor een goede verankering in de tegellijm. Voor de vloerbevestiging wordt een bij het systeem horend draagprofiel uit hard-PVC in verschillende hoogtes met U-vormige gleuf gebruikt. Voor de hoogteaanpassing wordt het te lange afschotprofiel aan de lage en/of hoge zijde indien nodig ingekort. Het afschotprofiel kan links of rechts voor de vloerovergang of onder de tegels van een zijwand worden gebruikt.

(Productdatablad 14.1)



### Schlüter®-SHOWERPROFILE-SPS 50

PVC draagprofiel met afschotprofiel (helling 2 %), roestvast staal V4A geborsteld, H1 = 6 mm

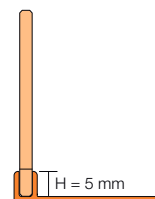
| H (mm) | L = 2,00 m<br>Art.-No. | € / St. | KV (st.) |
|--------|------------------------|---------|----------|
| 5      | SPSA 50 EB/200         | 114,60  | 40       |
|        | L = 1,60 m             |         |          |
| 5      | SPSA 50 EB/160         | 79,90   | 40       |
|        | L = 1,20 m             |         |          |
| 5      | SPSA 50 EB/120         | 58,28   | 40       |

SPS 50 is geschikt voor tegeldiktes van 6–9 mm

### Schlüter®-SHOWERPROFILE-SPS 50

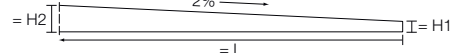
PVC draagprofiel met afschotprofiel (helling 2 %), roestvast staal V4A met kleurcoating, H1 = 6 mm

| H (mm) | L = 2,00 m<br>Art.-No. | € / St. | KV (st.) |
|--------|------------------------|---------|----------|
| 5      | SPSA 50 ...*/200       | 143,55  | 40       |
| 5      | SPSA 50 ...**/200      | 146,15  | 40       |
|        | L = 1,60 m             |         |          |
| 5      | SPSA 50 ...*/160       | 101,27  | 40       |
| 5      | SPSA 50 ...**/160      | 104,40  | 40       |
|        | L = 1,20 m             |         |          |
| 5      | SPSA 50 ...*/120       | 74,13   | 40       |
| 5      | SPSA 50 ...**/120      | 76,21   | 40       |

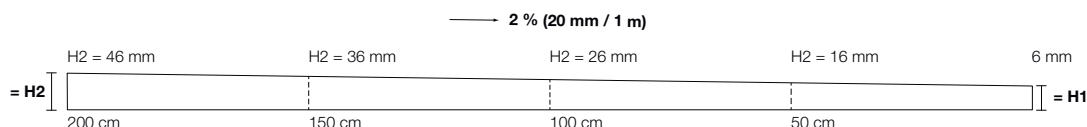


#### SPS 50

H = hoogte draagprofiel



Afschotprofiel 120 cm: H2 = 30 mm, H1 = 6 mm  
Afschotprofiel 160 cm: H2 = 38 mm, H1 = 6 mm  
Afschotprofiel 200 cm: H2 = 46 mm, H1 = 6 mm

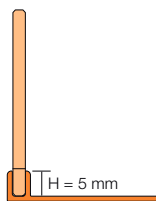


### Schlüter®-SHOWERPROFILE-SPSC 50 ★

PVC draagprofiel met afschotprofiel (helling 1,25 %), roestvast staal V4A geborsteld, H1 = 6 mm

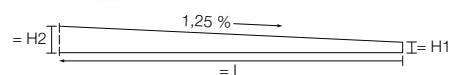
| H (mm) | L = 2,49 m<br>Art.-No. | € / St. | KV (st.) |
|--------|------------------------|---------|----------|
| 5      | SPSC 50 EB/249         | 141,06  | 40       |

SPSC 50 is geschikt voor tegeldiktes van 6 tot 15 mm

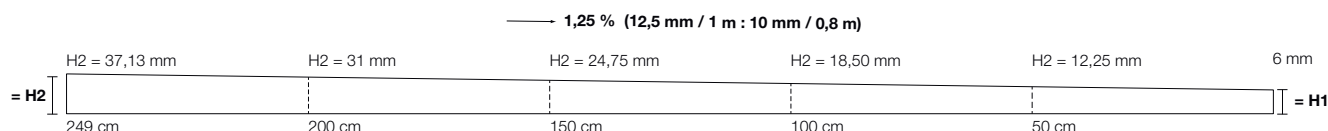


#### SPSC 50

H = hoogte draagprofiel



Afschotprofiel 249 cm: H2 = 37,13 mm, H1 = 6 mm



#### Opmerking:

Passend bij de hellingplaat KERDI-SHOWER-LTS KSLT 1365 / 2000 S\* op pagina 223.

**Schlüter®-SHOWERPROFILE-SPS 100**

PVC draagprofiel met afschotprofiel (helling 2 %), roestvast staal V4A geborsteld, H1 = 10 mm

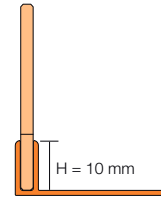
| H (mm) | L = 2,00 m<br>Art.-No. | € / St.       | KV (st.) |
|--------|------------------------|---------------|----------|
| 10     | SPSB 100 EB/200        | <b>121,61</b> | 40       |
|        | L = 1,60 m             |               |          |
| 10     | SPSB 100 EB/160        | <b>81,83</b>  | 40       |
|        | L = 1,20 m             |               |          |
| 10     | SPSB 100 EB/120        | <b>62,47</b>  | 40       |

SPS 100 is geschikt voor tegeldiktes van 10–18 mm

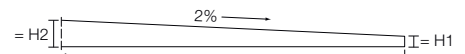
**Schlüter®-SHOWERPROFILE-SPS 100**

PVC draagprofiel met afschotprofiel (helling 2 %), roestvast staal V4A met kleurcoating, H1 = 10 mm

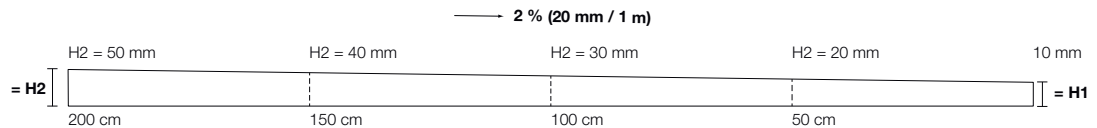
| H (mm) | L = 2,00 m<br>Art.-No. | € / St.       | KV (st.) |
|--------|------------------------|---------------|----------|
| 10     | SPSB 100 ...*/200      | <b>151,38</b> | 40       |
| 10     | SPSB 100 ...**/200     | <b>156,59</b> | 40       |
|        | L = 1,60 m             |               |          |
| 10     | SPSB 100 ...*/160      | <b>103,36</b> | 40       |
| 10     | SPSB 100 ...**/160     | <b>106,48</b> | 40       |
|        | L = 1,20 m             |               |          |
| 10     | SPSB 100 ...*/120      | <b>81,43</b>  | 40       |
| 10     | SPSB 100 ...**/120     | <b>83,52</b>  | 40       |

**SPS 100**

H = hoogte draagprofiel



Afschotprofiel 120 cm: H2 = 34 mm, H1 = 10 mm  
 Afschotprofiel 160 cm: H2 = 42 mm, H1 = 10 mm  
 Afschotprofiel 200 cm: H2 = 50 mm, H1 = 10 mm

**Schlüter®-SHOWERPROFILE-SPS 125**

PVC draagprofiel met afschotprofiel (helling 2 %), roestvast staal V4A geborsteld, H1 = 10 mm

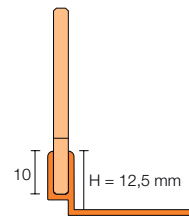
| H (mm) | L = 2,00 m<br>Art.-No. | € / St.       | KV (st.) |
|--------|------------------------|---------------|----------|
| 12,5   | SPSB 125 EB/200        | <b>121,61</b> | 40       |
|        | L = 1,60 m             |               |          |
| 12,5   | SPSB 125 EB/160        | <b>81,83</b>  | 40       |
|        | L = 1,20 m             |               |          |
| 12,5   | SPSB 125 EB/120        | <b>62,47</b>  | 40       |

SPS 125 is geschikt voor tegeldiktes van 12,5–20 mm

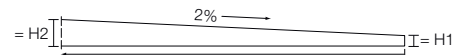
**Schlüter®-SHOWERPROFILE-SPS 125**

PVC draagprofiel met afschotprofiel (helling 2 %), roestvast staal V4A met kleurcoating, H1 = 10 mm

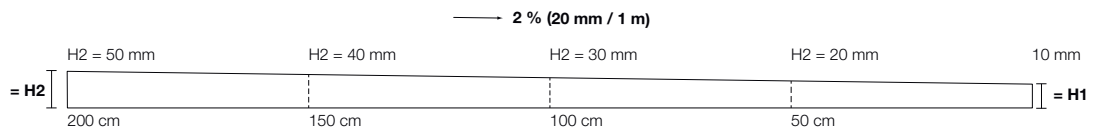
| H (mm) | L = 2,00 m<br>Art.-No. | € / St.       | KV (st.) |
|--------|------------------------|---------------|----------|
| 12,5   | SPSB 125 ...*/200      | <b>151,38</b> | 40       |
| 12,5   | SPSB 125 ...**/200     | <b>156,59</b> | 40       |
|        | L = 1,60 m             |               |          |
| 12,5   | SPSB 125 ...*/160      | <b>103,36</b> | 40       |
| 12,5   | SPSB 125 ...**/160     | <b>106,48</b> | 40       |
|        | L = 1,20 m             |               |          |
| 12,5   | SPSB 125 ...*/120      | <b>81,43</b>  | 40       |
| 12,5   | SPSB 125 ...**/120     | <b>83,52</b>  | 40       |

**SPS 125**

H = hoogte draagprofiel



Afschotprofiel 120 cm: H2 = 34 mm, H1 = 10 mm  
 Afschotprofiel 160 cm: H2 = 42 mm, H1 = 10 mm  
 Afschotprofiel 200 cm: H2 = 50 mm, H1 = 10 mm

**Art.-No. aanvullen met oppervlak/kleur (bijv. SPSB 125 MGS/200)**

\* Oppervlakken/kleuren: MBW - MGS

\*\* Oppervlakken/kleuren: TSBG - TSC - TSDA - TSG - TSI - TSOB - TSSG

**Opmerking:**

Voor grotere tegeldiktes zijn afschotprofielen met hogere draagprofielen in hoogtes van 15, 18 en 22 mm op aanvraag leverbaar.

**Beschikbare oppervlakken | Kleuren**

Een overzicht van de oppervlakken en kleuren vindt u vanaf pagina 342.



## Wandaansluitprofiel

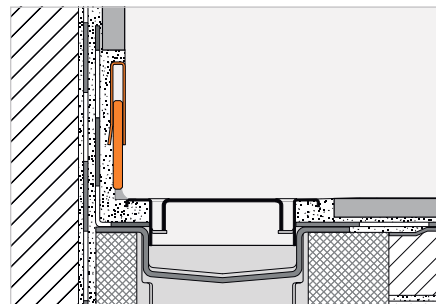
### Schlüter®-SHOWERPROFILE-R



**i**  
Nieuw in 2 m lengte!

Schlüter-SHOWERPROFILE-R is een tweedelig wandaansluitprofiel voor de bekleding van de resterende openstaande wandruimte aan de lijnafvoergoot, dat veroorzaakt wordt door de helling. Het profiel is in gepoedercoat of geborsteld roestvast staal verkrijgbaar. Aan de achterzijde is het profiel voorzien van een vlies voor de verankering in de tegellijm. Dankzij de tweedelige opbouw kan SHOWERPROFILE-R in toepassingen van ca. 23 tot 45 mm (in twee uitvoeringen) traploos in de hoogte worden aangepast.

(Productdatablad 14.1)



#### Schlüter®-SHOWERPROFILE-RA

2-delig wandaansluitprofiel, roestvast staal V4A geborsteld

| H (mm)     | L = 2,00 m<br>Art.-No. | € / St. | KV (st.) |
|------------|------------------------|---------|----------|
| ✱ 23-35    | SPRA 23 EB/200         | 100,83  | 40       |
| ✱ 33-45    | SPRA 33 EB/200         | 111,02  | 40       |
| L = 1,40 m |                        |         |          |
| 23-35      | SPRA 23 EB/140         | 80,52   | 40       |
| 33-45      | SPRA 33 EB/140         | 88,27   | 40       |
| L = 1,00 m |                        |         |          |
| 23-35      | SPRA 23 EB/100         | 65,02   | 40       |
| 33-45      | SPRA 33 EB/100         | 71,21   | 40       |

#### Schlüter®-SHOWERPROFILE-RA

2-delig wandaansluitprofiel, roestvast staal V4A met kleurcoating

| H (mm)     | L = 2,00 m<br>Art.-No. | € / St. | KV (st.) |
|------------|------------------------|---------|----------|
| ✱ 23-35    | SPRA 23 ...*/200       | 129,35  | 40       |
| ✱ 33-35    | SPRA 33 ...*/200       | 140,55  | 40       |
| L = 1,40 m |                        |         |          |
| 23-35      | SPRA 23 ...*/140       | 101,27  | 40       |
| 33-45      | SPRA 33 ...*/140       | 109,62  | 40       |
| L = 1,00 m |                        |         |          |
| 23-35      | SPRA 23 ...*/100       | 81,95   | 40       |
| 33-45      | SPRA 33 ...*/100       | 91,35   | 40       |

#### Schlüter®-SHOWERPROFILE-RA

2-delig wandaansluitprofiel, roestvast staal V4A met structuurcoating

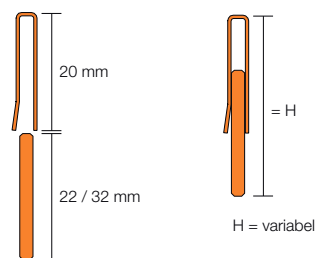
| H (mm)     | L = 2,00 m<br>Art.-No. | € / St. | KV (st.) |
|------------|------------------------|---------|----------|
| ✱ 23-35    | SPRA 23 ...**/200      | 133,42  | 40       |
| ✱ 33-45    | SPRA 33 ...**/200      | 143,61  | 40       |
| L = 1,40 m |                        |         |          |
| 23-35      | SPRA 23 ...***/140     | 104,40  | 40       |
| 33-45      | SPRA 33 ...***/140     | 112,75  | 40       |
| L = 1,00 m |                        |         |          |
| 23-35      | SPRA 23 ...***/100     | 84,57   | 40       |
| 33-45      | SPRA 33 ...***/100     | 93,96   | 40       |

Art.-No. aanvullen met oppervlak/kleur (bijv. SPRA 23 TSDA/200)

\* Oppervlakken/kleuren: MBW - MGS

\*\* Oppervlakken/kleuren: TSBG - TSDA - TSI

\*\*\* Oppervlakken/kleuren: TSBG - TSC - TSDA - TSG - TSI - TSOB - TSSG



## Beschikbare oppervlakken | Kleuren



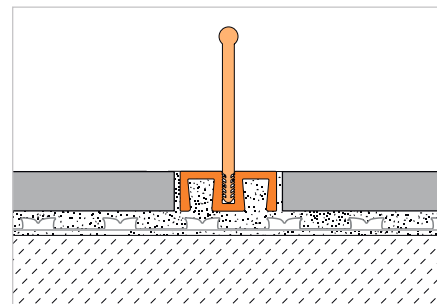
Een overzicht van de oppervlakken en kleuren vindt u vanaf pagina 342.

## Overstromingsbeveiligingsprofiel

## Schlüter®-SHOWERPROFILE-WS



Schlüter-SHOWERPROFILE-WS is een tweedelig profiel uit geanodiseerd aluminium voor de overstromingsbeveiliging in inlopdouches. Het draagprofiel wordt bij het aanbrengen van de tegels in het lijmbed verankerd. Het kan naar keuze met een halfronde of een rechte lip als overstromingsbeveiliging worden uitgerust. De douche is bij gebruik van beide varianten toegankelijk voor rolstoelen. (Productdatablad 14.2)



## Schlüter®-SHOWERPROFILE-WS

Draagprofiel alu. bruut mat geanodiseerd

| L = 3,00 m<br>Art.-No. | € / m | KV (st.) |
|------------------------|-------|----------|
| SPWS 19 AE / 300       | 25,18 | 40       |
| L = 2,50 m             |       |          |
| SPWS 19 AE             | 25,18 | 40       |
| L = 1,00 m             |       |          |
| SPWS 19 AE / 100       | 26,25 | 40       |

## Lip

## Schlüter®-SHOWERPROFILE-WSL

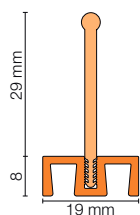
Rechte lip

| L = 3,00 m<br>Art.-No. | € / m | KV (st.) |
|------------------------|-------|----------|
| SPWSL 30 T / 300       | 15,67 | 40       |
| L = 2,50 m             |       |          |
| SPWSL 30 T             | 15,67 | 40       |
| L = 1,00 m             |       |          |
| SPWSL 30 T / 100       | 15,67 | 40       |

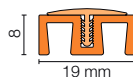
## Schlüter®-SHOWERPROFILE-WSC

Halfronde lip

| L = 3,00 m<br>Art.-No. | € / m | KV (st.) |
|------------------------|-------|----------|
| SPWSC 16 GS / 300      | 12,96 | 40       |
| L = 2,50 m             |       |          |
| SPWSC 16 GS            | 12,96 | 40       |
| L = 1,00 m             |       |          |
| SPWSC 16 GS / 100      | 12,96 | 40       |



SHOWERPROFILE-WS + -WSL



SHOWERPROFILE-WS + -WSC

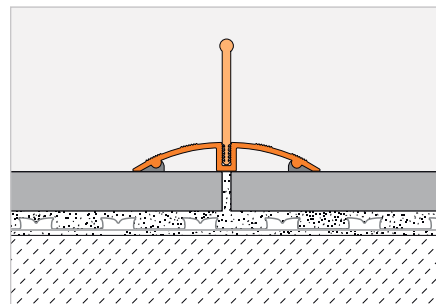


## Overstromingsbeveiligingsprofiel

### Schlüter®-SHOWERPROFILE-WSK



Schlüter-SHOWERPROFILE-WSK is een tweedelig profiel uit geanodiseerd aluminium voor de overstromingsbeveiliging in inloopdouches. Het draagprofiel wordt achteraf op de aanwezige bekleding gelijkmd. Het kan naar keuze met een halfronde of een rechte lip als overstromingsbeveiliging worden uitgerust. De douche is bij gebruik van beide varianten toegankelijk voor rolstoelen. (Productdatablad 14.2)



#### Schlüter®-SHOWERPROFILE-WSK

Draagprofiel alu. bruut mat geanodiseerd

| L = 3,00 m<br>Art.-No. | € / m | KV (st.) |
|------------------------|-------|----------|
| SPWSK 52 AE / 300      | 29,49 | 40       |
| L = 2,50 m             |       |          |
| SPWSK 52 AE            | 29,49 | 40       |
| L = 1,00 m             |       |          |
| SPWSK 52 AE / 100      | 30,54 | 40       |

## Lip | Eindkapje

#### Schlüter®-SHOWERPROFILE-WSL

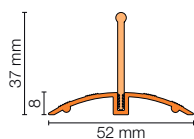
Rechte lip

| L = 3,00 m<br>Art.-No. | € / m | KV (st.) |
|------------------------|-------|----------|
| SPWSL 30 T / 300       | 15,67 | 40       |
| L = 2,50 m             |       |          |
| SPWSL 30 T             | 15,67 | 40       |
| L = 1,00 m             |       |          |
| SPWSL 30 T / 100       | 15,67 | 40       |

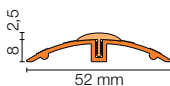
#### Schlüter®-SHOWERPROFILE-WSC

Halfronde lip

| L = 3,00 m<br>Art.-No. | € / m | KV (st.) |
|------------------------|-------|----------|
| SPWSC 16 GS / 300      | 12,96 | 40       |
| L = 2,50 m             |       |          |
| SPWSC 16 GS            | 12,96 | 40       |
| L = 1,00 m             |       |          |
| SPWSC 16 GS / 100      | 12,96 | 40       |



SHOWERPROFILE-WSK + -WSL

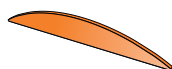


SHOWERPROFILE-WSK + -WSC

#### Schlüter®-SHOWERPROFILE-WSK/EK

Eindkapje

| Art.-No.         | € / St. | P (st.) |
|------------------|---------|---------|
| EK / SPWSK 52 AE | 4,10    | 50      |



SHOWERPROFILE-WSK/EK

## Opnameprofiel

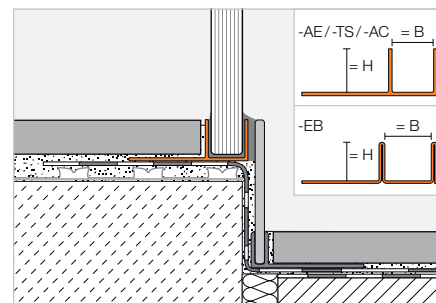


## Schlüter®-DECO-SG



Schlüter-DECO-SG is een decoratief profiel als voeguitsparing in tegelbekledingen. Het vormt een 12 mm of 15 mm brede schaduwvoeg. De voeg is uitermate geschikt voor het plaatsen en bevestigen van glaselementen in de vloer en wand.

(Productdatablad 2.16)



## Schlüter®-DECO-SG-EB

Roestvast staal V4A geborsteld, B = 12 mm

| H (mm) | L = 2,50 m<br>Art.-No. | € / m        | KV (st.) |
|--------|------------------------|--------------|----------|
| 8      | SG 80 EB 12            | <b>52,42</b> | 120      |
| 10     | SG 100 EB 12           | <b>55,05</b> | 120      |
| 11     | SG 110 EB 12           | <b>57,66</b> | 120      |
| 12,5   | SG 125 EB 12           | <b>60,27</b> | 120      |

## Schlüter®-DECO-SG-EB

Roestvast staal V4A geborsteld, B = 15 mm

| H (mm) | L = 2,50 m<br>Art.-No. | € / m        | KV (st.) |
|--------|------------------------|--------------|----------|
| 8      | SG 80 EB 15            | <b>56,35</b> | 120      |
| 10     | SG 100 EB 15           | <b>58,97</b> | 120      |
| 11     | SG 110 EB 15           | <b>61,60</b> | 120      |
| 12,5   | SG 125 EB 15           | <b>64,22</b> | 120      |

## Schlüter®-DECO-SG-AE

Alu. bruut mat geanodiseerd, B = 12 mm

| H (mm) | L = 2,50 m<br>Art.-No. | € / m        | KV (st.) |
|--------|------------------------|--------------|----------|
| 8      | SG 80 AE 12            | <b>18,74</b> | 120      |
| 10     | SG 100 AE 12           | <b>19,23</b> | 120      |
| 11     | SG 110 AE 12           | <b>19,67</b> | 120      |
| 12,5   | SG 125 AE 12           | <b>20,19</b> | 120      |

## Schlüter®-DECO-SG-AE

Alu. bruut mat geanodiseerd, B = 15 mm

| H (mm) | L = 2,50 m<br>Art.-No. | € / m        | KV (st.) |
|--------|------------------------|--------------|----------|
| 8      | SG 80 AE 15            | <b>21,68</b> | 120      |
| 10     | SG 100 AE 15           | <b>22,00</b> | 120      |
| 11     | SG 110 AE 15           | <b>22,77</b> | 120      |
| 12,5   | SG 125 AE 15           | <b>23,27</b> | 120      |



## Schlüter®-DECO-SG-AC

Alu. met kleurcoating, B = 12 mm

| H (mm) | L = 2,50 m<br>Art.-No. | € / m        | KV (st.) |
|--------|------------------------|--------------|----------|
| 8      | SG 80 ...* 12          | <b>21,93</b> | 120      |
| 10     | SG 100 ...* 12         | <b>22,45</b> | 120      |
| 11     | SG 110 ...* 12         | <b>22,97</b> | 120      |
| 12,5   | SG 125 ...* 12         | <b>23,49</b> | 120      |

## Schlüter®-DECO-SG-AC

Alu. met kleurcoating, B = 15 mm

| H (mm) | L = 2,50 m<br>Art.-No. | € / m        | KV (st.) |
|--------|------------------------|--------------|----------|
| 8      | SG 80 ...* 15          | <b>25,57</b> | 120      |
| 10     | SG 100 ...* 15         | <b>26,10</b> | 120      |
| 11     | SG 110 ...* 15         | <b>26,62</b> | 120      |
| 12,5   | SG 125 ...* 15         | <b>27,14</b> | 120      |



## Schlüter®-DECO-SG-TS

Alu. structuur-gecoat, B = 12 mm

| H (mm) | L = 2,50 m<br>Art.-No. | € / m        | KV (st.) |
|--------|------------------------|--------------|----------|
| 8      | SG 80 ...** 12         | <b>26,32</b> | 120      |
| 10     | SG 100 ...** 12        | <b>26,94</b> | 120      |
| 11     | SG 110 ...** 12        | <b>27,56</b> | 120      |
| 12,5   | SG 125 ...** 12        | <b>28,18</b> | 120      |

## Schlüter®-DECO-SG-TS

Alu. structuur-gecoat, B = 15 mm

| H (mm) | L = 2,50 m<br>Art.-No. | € / m        | KV (st.) |
|--------|------------------------|--------------|----------|
| 8      | SG 80 ...** 15         | <b>30,69</b> | 120      |
| 10     | SG 100 ...** 15        | <b>31,33</b> | 120      |
| 11     | SG 110 ...** 15        | <b>31,95</b> | 120      |
| 12,5   | SG 125 ...** 15        | <b>32,57</b> | 120      |

Art.-No. kleur toevoegen (bijv. SG 80 TSOB 15)

\* Kleuren: MBW - MGS

\*\* Kleuren:

TSBG - TSC - TSDA - TSG - TSI - TSOB - TSSG

## Beschikbare oppervlakken | Kleuren



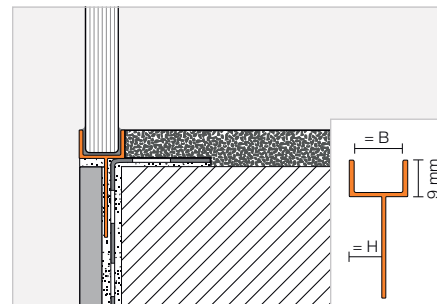
Een overzicht van de oppervlakken en kleuren vindt u vanaf pagina 342.



## Opnameprofiel



**i**  
 Voor gebruik op hoeken met  
 aangrenzende pleisterwanden



### Schlüter®-DECO-SGC-AE

Alu. bruut mat geanodiseerd, B = 12 mm

| H (mm) | L = 2,50 m<br>Art.-No. | € / m        | KV (st.) |
|--------|------------------------|--------------|----------|
| 8      | SGC 80 AE 12           | <b>20,26</b> | 120      |
| 10     | SGC 100 AE 12          | <b>20,73</b> | 120      |
| 11     | SGC 110 AE 12          | <b>21,26</b> | 120      |
| 12,5   | SGC 125 AE 12          | <b>21,78</b> | 120      |

### Schlüter®-DECO-SGC-AE

Alu. bruut mat geanodiseerd, B = 15 mm

| H (mm) | L = 2,50 m<br>Art.-No. | € / m        | KV (st.) |
|--------|------------------------|--------------|----------|
| 8      | SGC 80 AE 15           | <b>23,44</b> | 120      |
| 10     | SGC 100 AE 15          | <b>23,73</b> | 120      |
| 11     | SGC 110 AE 15          | <b>24,56</b> | 120      |
| 12,5   | SGC 125 AE 15          | <b>25,09</b> | 120      |



# Schlüter®-KERDI-DRAIN

## Centrale afwatering in binnentoepassing

Horizontale afvoer  
met stankafsluiter

Bodemafvoerset in  
DN 40/50, DN 50, DN 50/70 234-237

Verticale afvoer  
met stankafsluiter

Bodemafvoerset in  
DN 50, DN 70, DN 100 238-243

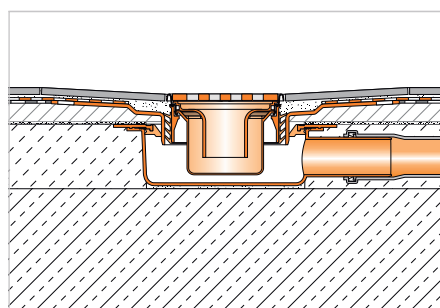
Toebehoren 244-247

Complete sets 248-249

i

**KERDI-DRAIN voor buitentoepassing vindt  
u in hoofdstuk "Balkons en terrassen"  
vanaf pagina 305.**





- 1 Schlüter®-KERDI-DRAIN afvoerbehuizing
- 2 Schlüter®-KERDI-DRAIN rooster-/framesets
- 3 Schlüter®-KERDI-SHOWER
- 4 Schlüter®-DITRA
- 5 Schlüter®-KERDI 200
- 6 Schlüter®-KERDI-KEBA
- 7 Schlüter®-SHOWERPROFILE-WS/-WSK
- 8 Schlüter®-DECO-SG
- 9 Schlüter®-DILEX-RF

- Pagina 234–243
- Pagina 234–243
- Pagina 222–223
- Pagina 157
- Pagina 180
- Pagina 181
- Pagina 227–228
- Pagina 229
- Pagina 131

Op de volgende pagina's vindt u alle combinatiemogelijkheden van rooster-/framesets en van horizontale of verticale bodemafoersets. Daarna vindt u ook details voor bijzondere oplossingen, vervanging of verwisseling.

# Schlüter®-KERDI-DRAIN

## Inloopdouches met centrale afvoer

Schlüter-KERDI-DRAIN met centraal afvoerpunt voert het water naar keuze horizontaal of verticaal af naar het rioleringsnetwerk. Met de Schlüter-KERDI-SHOWER hellingsplaat wordt snel een vlakke en afgedichte ondergrond gerealiseerd voor de plaatsing van tegels. Schlüter-SHOWERPROFILE bedekt de vrije randen van de douche en zorgt voor een functionele overstromingsbeveiliging. Schlüter-DECO-SG bevestigt glazen scheidingswanden in de juiste positie. Schlüter-KERDI en -DITRA zorgen voor de afdichting aan de wand en op de vloer. Stootnaden worden afgedicht met de Schlüter-KERDI-KEBA afdichtingsbanden in verbinding met Schlüter-KERDI-COLL.  
(Productdatablad 8.2)

### Robuust en praktisch: onze klassiekers



Design 1: CLASSIC



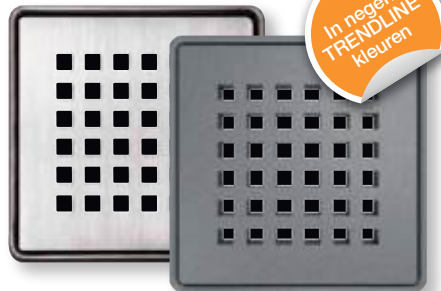
Design 1: CLASSIC



Design 1: CLASSIC ROUND



Design 2: TRAPEZOID



Design 3: SQUARE



Design 4: TILE

### Schlüter®-KERDI-DRAIN-STYLE



Design 5: FLORAL



Design 6: CURVE



Design 7: PURE



# Schlüter®-KERDI-DRAIN

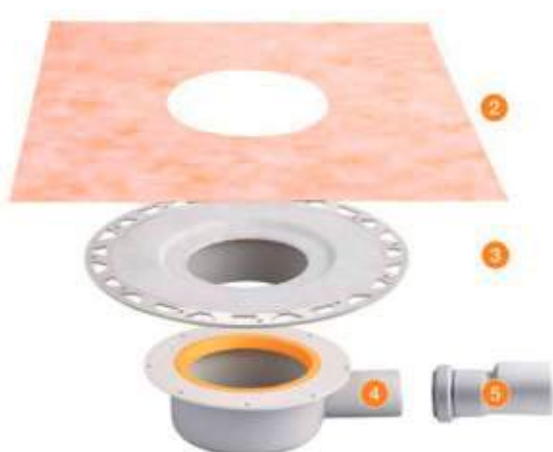
## Horizontale afvoer met stankafsluiter

Centrale afwatering in binnentoepassing



### Rooster-/frameset

- 1 Roestvaststalen rooster met onderbouw, lipdichting en geïntegreerde stankafsluiter



### Bodemafvoerset

- 2 Schlüter-KERDI manchét
- 3 Dunbed-opzetstuk
- 4 Afvoerbehuizing in beton
- 5 Overgang DN 40 naar DN 50

#### Opmerking:

De bodemafvoerset en de rooster-/frameset moeten afzonderlijk worden besteld.

Bijzonderheden van het rooster – stankafsluiter in rooster-/frameset



#### Alleen KERDI-DRAIN-BASE:

De roosters zijn voorzien van een stankafsluiter en een lipdichting.

Rooster-design



Design 1  
CLASSIC



Design 2  
TRAPEZOID



Design 3  
SQUARE



Design 4  
TILE



Design 5  
FLORAL



Design 6  
CURVE



Design 7  
PURE

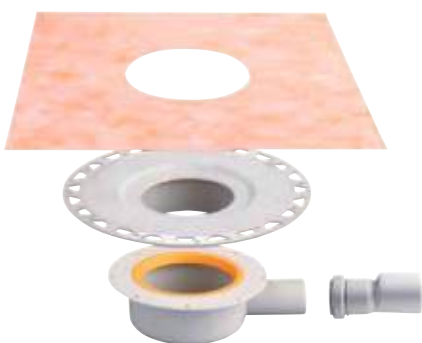
## Stankafsluiter in rooster-/frameset

## DN 40/50

Afvoercapaciteit: 0,4 l/s, min. opbouwhoogte: 75 (70) mm, Restwaterhoogte: 30 mm

## Bodemafvoerset

Schlüter®-KERDI-DRAIN-BASE



| Art.-No. | € / St. |
|----------|---------|
| KD BH 40 | 75,41   |

| Rooster-/frameset   | L x B (cm) | Art.-No.             | € / St. |
|---|------------|----------------------|---------|
| Design 1, roestvast staal met schroeven                       | 10 x 10    | KD R10 ED1 SGV       | 77,65   |
| Design 1, roestvast staal V4A met schroeven                   | 10 x 10    | KD R10 V4A D1 SGV    | 94,24   |
| Design 1, roestvast staal hoogglans gepolijst met schroeven   | 10 x 10    | KD R10 EPD1 SGV      | 83,25   |
| Design 1, roestvast staal                                     | 10 x 10    | KD R10 ED1 GV        | 77,65   |
| Design 1, roestvast staal olie ingewreven brons met schroeven | 10 x 10    | KD R10 E0B D1 SGV    | 105,57  |
| Design 2, roestvast staal geborsteld                          | 10 x 10    | KD R10 ED2 GV        | 131,97  |
| Design 3, roestvast staal geborsteld                          | 10 x 10    | KD R10 ED3 GV        | 131,97  |
| Design 3, roestvast staal met kleurcoating                    | ★ 10 x 10  | KD R10 ...* D3 GV    | 163,47  |
| Design 3, roestvast staal met structuurcoating                | ★ 10 x 10  | KD R10 ...** D3 GV   | 168,56  |
| Design 4, roestvast staal                                     | 10 x 10    | KD R10 ED4 GV        | 77,65   |
| Design 4, roestvast staal met kleurcoating in MGS             | ★ 10 x 10  | KD R10 MGS D4 GV     | 111,27  |
| Design 5, roestvast staal geborsteld                          | 10 x 10    | KD IF 10 EB D5 GV    | 130,03  |
| Design 5, roestvast staal met kleurcoating                    | ★ 10 x 10  | KD IF 10 ...* D5 GV  | 159,90  |
| Design 5, roestvast staal met structuurcoating                | ★ 10 x 10  | KD IF 10 ...** D5 GV | 165,00  |
| Design 6, roestvast staal geborsteld                          | 10 x 10    | KD IF 10 EB D6 GV    | 130,03  |
| Design 6, roestvast staal met kleurcoating                    | ★ 10 x 10  | KD IF 10 ...* D6 GV  | 159,90  |
| Design 6, roestvast staal met structuurcoating                | ★ 10 x 10  | KD IF 10 ...** D6 GV | 165,00  |
| Design 7, roestvast staal geborsteld                          | 10 x 10    | KD IF 10 EB D7 GV    | 132,66  |
| Design 7, roestvast staal met kleurcoating                    | ★ 10 x 10  | KD IF 10 ...* D7 GV  | 163,47  |
| Design 7, roestvast staal met structuurcoating                | ★ 10 x 10  | KD IF 10 ...** D7 GV | 168,56  |

P = 10 stuks



## Art.-No. aanvullen met oppervlak/kleur (bijv. KD R10 MBW D3 GV)

\* Oppervlakken/kleuren: MBW - MGS

\*\* Oppervlakken/kleuren: TSBG - TSC - TSDA - TSG - TSI - TSOB - TSSG

## Beschikbare oppervlakken | Kleuren



Een overzicht van de oppervlakken en kleuren vindt u vanaf pagina 342.



# Schlüter®-KERDI-DRAIN

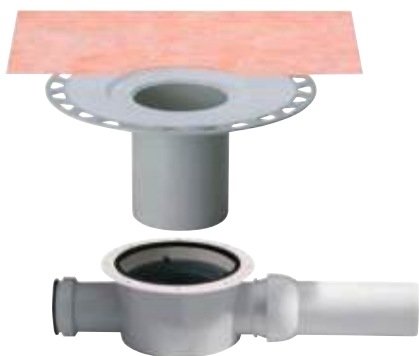
## Horizontale afvoer met stankafsluiter

### Stankafsluiter in bodemafvoerset

#### DN 50

Afvoercapaciteit: 0,6 l/s, min. opbouwhoogte: 97 mm, Restwaterhoogte: 30 mm

#### Bodemafvoerset



| Art.-No.    | € / St. |
|-------------|---------|
| KD BH 50 GV | 113,12  |

| Rooster-/frameset   | L x B (cm) | Art.-No.          | € / St. |
|---|------------|-------------------|---------|
| Design 1, roestvast staal met schroeven                       | 10 x 10    | KD R10 ED1 S      | 66,36   |
| Design 1, roestvast staal V4A met schroeven                   | 10 x 10    | KD R10 V4A D1 S   | 82,94   |
| Design 1, roestvast staal hoogglans gepolijst met schroeven   | 10 x 10    | KD R10 EPD1 S     | 71,13   |
| Design 1, roestvast staal                                     | 10 x 10    | KD R10 ED1        | 66,36   |
| Design 1, roestvast staal olie ingewreven brons met schroeven | 10 x 10    | KD R10 E0B D1 S   | 94,24   |
| Design 1, roestvast staal met schroeven                       | 15 x 15    | KD R15 ED1 S      | 90,48   |
| Design 1, roestvast staal met schroeven (rond)                | 15 x 15    | KD R15 ED1 SR     | 90,48   |
| Design 2, roestvast staal geborsteld                          | 10 x 10    | KD R10 ED2        | 120,66  |
| Design 3, roestvast staal geborsteld                          | 10 x 10    | KD R10 ED3        | 120,66  |
| Design 3, roestvast staal met kleurcoating                    | 10 x 10    | KD R10 ...* D3    | 151,25  |
| Design 3, roestvast staal met structuurcoating                | 10 x 10    | KD R10 ...** D3   | 156,34  |
| Design 4, roestvast staal                                     | 10 x 10    | KD R10 ED4        | 66,36   |
| Design 4, roestvast staal met kleurcoating in MGS             | 10 x 10    | KD R10 MGS D4     | 96,76   |
| Design 5, roestvast staal geborsteld                          | 10 x 10    | KD IF 10 EB D5    | 118,13  |
| Design 5, roestvast staal met kleurcoating                    | 10 x 10    | KD IF 10 ...* D5  | 147,68  |
| Design 5, roestvast staal met structuurcoating                | 10 x 10    | KD IF 10 ...** D5 | 152,78  |
| Design 6, roestvast staal geborsteld                          | 10 x 10    | KD IF 10 EB D6    | 118,13  |
| Design 6, roestvast staal met kleurcoating                    | 10 x 10    | KD IF 10 ...* D6  | 147,68  |
| Design 6, roestvast staal met structuurcoating                | 10 x 10    | KD IF 10 ...** D6 | 152,78  |
| Design 7, roestvast staal geborsteld                          | 10 x 10    | KD IF 10 EB D7    | 120,78  |
| Design 7, roestvast staal met kleurcoating                    | 10 x 10    | KD IF 10 ...* D7  | 151,25  |
| Design 7, roestvast staal met structuurcoating                | 10 x 10    | KD IF 10 ...** D7 | 156,34  |

P = 10 stuks



Art.-No. aanvullen met oppervlak/kleur (bijv. KD R10 MBW D3)

\* Oppervlakken/kleuren: MBW - MGS

\*\* Oppervlakken/kleuren: TSBG - TSC - TSDA - TSG - TSI - TSOB - TSSG

### Beschikbare oppervlakken | Kleuren



Een overzicht van de oppervlakken en kleuren vindt u vanaf pagina 342.

## Stankafsluiter in bodemafoersset

## DN 50/70

Afoercapaciteit: 0,8 l/s, min. opbouwhoogte: 115 mm, Restwaterhoogte: 50 mm

| Bodemafoersset | + Rooster-/frameset                     | L x B (cm) | Art.-No.      | € / St.      |
|----------------|---|------------|---------------|--------------|
|                | Design 1, roestvast staal met schroeven | 15 x 15    | KD R15 ED1 SB | <b>80,72</b> |

P = 10 stuks



| Art.-No.       | € / St.       |
|----------------|---------------|
| KD BH 5070 GVB | <b>121,27</b> |

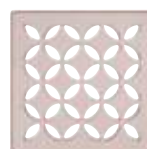
## Bijzonderheden van het rooster – stankafsluiter in bodemafoersset



De roosters zijn uitgerust met een frameverlenging (met uitzondering van design 4) en een hoogteregeling. Deze roosters zijn niet voorzien van een stankafsluiter. De stankafsluiter is geïntegreerd in de bodemafoersset. Alle roosters zijn incl. vuilopvangzeef, met uitzondering van KD R10 ED4, KD R10 MGS D4, KD R15 ED1 S, KD R15 ED1 SB en KD R15 ED1 SR.



## Rooster-design

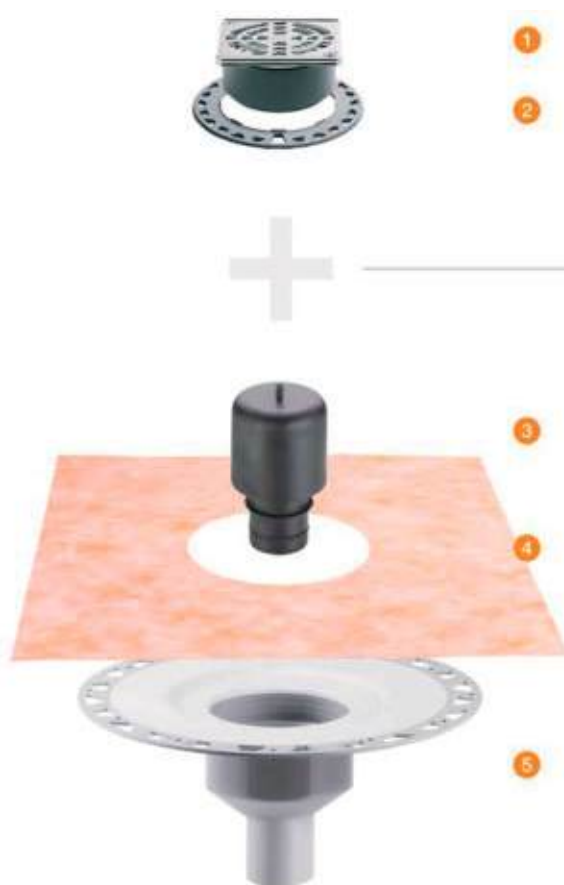
Design 1  
CLASSICDesign 1  
CLASSIC  
ROUNDDesign 2  
TRAPEZOIDDesign 3  
SQUAREDesign 4  
TILEDesign 5  
FLORALDesign 6  
CURVEDesign 7  
PURE



# Schlüter®-KERDI-DRAIN

## Verticale afvoer met stankafsluiter

Centrale afwatering in binnentoepassing



### Rooster-/frameset

- 1 Roestvaststalen rooster met onderbouw
- 2 Hoogte-instelling

### Bodemafoerset

- 3 Tweedelige stankafsluiter
- 4 Schlüter-KERDI manchets
- 5 Dunbed-vloerafvoer

#### Opmerking:

De bodemafoerset en de rooster-/frameset moeten afzonderlijk worden besteld.

### Bijzonderheden van het rooster – stankafsluiter in bodemafoerset



De roosters zijn uitgerust met een frameverlenging (met uitzondering van design 4) en een hoogteregeling. Deze roosters zijn niet voorzien van een stankafsluiter. De stankafsluiter is geïntegreerd in de bodemafoerset. Alle roosters zijn incl. vuilopvangzeef, met uitzondering van KD R10 ED4, KD R10 MGS D4, KD R15 ED1 S, KD R15 ED1 SB en KD R15 ED1 SR.



### Rooster-design



Design 1  
CLASSIC



Design 1  
CLASSIC  
ROUND



Design 2  
TRAPEZOID



Design 3  
SQUARE



Design 4  
TILE



Design 5  
FLORAL



Design 6  
CURVE



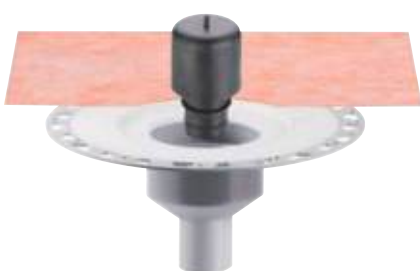
Design 7  
PURE

## Stankafsluiter in bodemafvoerset

## DN 50

Afvoercapaciteit: 0,6 l/s, Restwaterhoogte: 40 mm

## Bodemafvoerset



| Art.-No.    | € / St. |
|-------------|---------|
| KD BV 50 GV | 84,44   |

| Bodemafvoerset | Rooster-/frameset   | L x B (cm) | Art.-No.        | € / St.           |        |
|----------------|---|------------|-----------------|-------------------|--------|
|                | Design 1, roestvast staal met schroeven                       | 10 x 10    | KD R10 ED1 S    | 66,36             |        |
|                | Design 1, roestvast staal V4A met schroeven                   | 10 x 10    | KD R10 V4A D1 S | 82,94             |        |
|                | Design 1, roestvast staal hoogglans gepolijst met schroeven   | 10 x 10    | KD R10 EPD1 S   | 71,13             |        |
|                | Design 1, roestvast staal                                     | 10 x 10    | KD R10 ED1      | 66,36             |        |
|                | Design 1, roestvast staal olie ingewreven brons met schroeven | 10 x 10    | KD R10 E0B D1 S | 94,24             |        |
|                | Design 1, roestvast staal met schroeven                       | 15 x 15    | KD R15 ED1 S    | 90,48             |        |
|                | Design 1, roestvast staal met schroeven (rond)                | 15 x 15    | KD R15 ED1 SR   | 90,48             |        |
|                | Design 2, roestvast staal geborsteld                          | 10 x 10    | KD R10 ED2      | 120,66            |        |
|                | Design 3, roestvast staal geborsteld                          | 10 x 10    | KD R10 ED3      | 120,66            |        |
|                | Design 3, roestvast staal met kleurcoating                    | ★          | 10 x 10         | KD R10 ...* D3    | 151,25 |
|                | Design 3, roestvast staal met structuurcoating                | ★          | 10 x 10         | KD R10 ...** D3   | 156,34 |
|                | Design 4, roestvast staal                                     | 10 x 10    | KD R10 ED4      | 66,36             |        |
|                | Design 4, roestvast staal met kleurcoating in MGS             | ★          | 10 x 10         | KD R10 MGS D4     | 96,76  |
|                | Design 5, roestvast staal geborsteld                          | 10 x 10    | KD IF 10 EB D5  | 118,13            |        |
|                | Design 5, roestvast staal met kleurcoating                    | ★          | 10 x 10         | KD IF 10 ...* D5  | 147,68 |
|                | Design 5, roestvast staal met structuurcoating                | ★          | 10 x 10         | KD IF 10 ...** D5 | 152,78 |
|                | Design 6, roestvast staal geborsteld                          | 10 x 10    | KD IF 10 EB D6  | 118,13            |        |
|                | Design 6, roestvast staal met kleurcoating                    | ★          | 10 x 10         | KD IF 10 ...* D6  | 147,68 |
|                | Design 6, roestvast staal met structuurcoating                | ★          | 10 x 10         | KD IF 10 ...** D6 | 152,78 |
|                | Design 7, roestvast staal geborsteld                          | 10 x 10    | KD IF 10 EB D7  | 120,78            |        |
|                | Design 7, roestvast staal met kleurcoating                    | ★          | 10 x 10         | KD IF 10 ...* D7  | 151,25 |
|                | Design 7, roestvast staal met structuurcoating                | ★          | 10 x 10         | KD IF 10 ...** D7 | 156,34 |

P = 10 stuks



## Art.-No. aanvullen met oppervlak/kleur (bijv. KD R10 MBW D3)

\* Oppervlakken/kleuren: MBW - MGS

\*\* Oppervlakken/kleuren: TSBG - TSC - TSDA - TSG - TSI - TSOB - TSSG

## Beschikbare oppervlakken | Kleuren



Een overzicht van de oppervlakken en kleuren vindt u vanaf pagina 342.



# Schlüter®-KERDI-DRAIN

Verticale afvoer met stankafsluiter

## Stankafsluiter in bodemafvoerset

### DN 50

Afvoercapaciteit: 0,6 l/s, Restwaterhoogte: 30 mm

Bodemafvoerset



| Art.-No.     | € / St. |
|--------------|---------|
| KD BV 50 GVB | 121,27  |



| Rooster-/frameset   | L x B (cm) | Art.-No.          | € / St. |
|---|------------|-------------------|---------|
| Design 1, roestvast staal met schroeven                       | 10 x 10    | KD R10 ED1 S      | 66,36   |
| Design 1, roestvast staal V4A met schroeven                   | 10 x 10    | KD R10 V4A D1 S   | 82,94   |
| Design 1, roestvast staal hoogglans gepolijst met schroeven   | 10 x 10    | KD R10 EPD1 S     | 71,13   |
| Design 1, roestvast staal                                     | 10 x 10    | KD R10 ED1        | 66,36   |
| Design 1, roestvast staal olie ingewreven brons met schroeven | 10 x 10    | KD R10 E0B D1 S   | 94,24   |
| Design 2, roestvast staal geborsteld                          | 10 x 10    | KD R10 ED2        | 120,66  |
| Design 3, roestvast staal geborsteld                          | 10 x 10    | KD R10 ED3        | 120,66  |
| Design 3, roestvast staal met kleurcoating                    | ★ 10 x 10  | KD R10 ...* D3    | 151,25  |
| Design 3, roestvast staal met structuurcoating                | ★ 10 x 10  | KD R10 ...** D3   | 156,34  |
| Design 4, roestvast staal                                     | 10 x 10    | KD R10 ED4        | 66,36   |
| Design 4, roestvast staal met kleurcoating in MGS             | ★ 10 x 10  | KD R10 MGS D4     | 96,76   |
| Design 5, roestvast staal geborsteld                          | 10 x 10    | KD IF 10 EB D5    | 118,13  |
| Design 5, roestvast staal met kleurcoating                    | ★ 10 x 10  | KD IF 10 ...* D5  | 147,68  |
| Design 5, roestvast staal met structuurcoating                | ★ 10 x 10  | KD IF 10 ...** D5 | 152,78  |
| Design 6, roestvast staal geborsteld                          | 10 x 10    | KD IF 10 EB D6    | 118,13  |
| Design 6, roestvast staal met kleurcoating                    | ★ 10 x 10  | KD IF 10 ...* D6  | 147,68  |
| Design 6, roestvast staal met structuurcoating                | ★ 10 x 10  | KD IF 10 ...** D6 | 152,78  |
| Design 7, roestvast staal geborsteld                          | 10 x 10    | KD IF 10 EB D7    | 120,78  |
| Design 7, roestvast staal met kleurcoating                    | ★ 10 x 10  | KD IF 10 ...* D7  | 151,25  |
| Design 7, roestvast staal met structuurcoating                | ★ 10 x 10  | KD IF 10 ...** D7 | 156,34  |

### DN 50

Afvoercapaciteit: 1,8 l/s, Restwaterhoogte: 50 mm

Bodemafvoerset



| Art.-No.      | € / St. |
|---------------|---------|
| KD BAV 50 GVB | 128,93  |

| Rooster-/frameset                       | L x B (cm) | Art.-No.      | € / St. |
|---|------------|---------------|---------|
| Design 1, roestvast staal met schroeven | 15 x 15    | KD R15 ED1 SB | 80,72   |

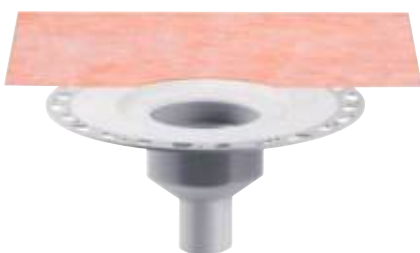
P = 10 stuks

## Stankafsluiter in rooster-/frameset

## DN 50

Afvoercapaciteit: 0,6 l/s, Restwaterhoogte: 30 mm

Bodemafvoerset



| Art.-No. | € / St. |
|----------|---------|
| KD BV 50 | 63,32   |

| Rooster-/frameset   | L x B (cm) | Art.-No.             | € / St. |
|---|------------|----------------------|---------|
| Design 1, roestvast staal met schroeven                       | 10 x 10    | KD R10 ED1 SGV       | 77,65   |
| Design 1, roestvast staal V4A met schroeven                   | 10 x 10    | KD R10 V4A D1 SGV    | 94,24   |
| Design 1, roestvast staal hoogglans gepolijst met schroeven   | 10 x 10    | KD R10 EPD1 SGV      | 83,25   |
| Design 1, roestvast staal                                     | 10 x 10    | KD R10 ED1 GV        | 77,65   |
| Design 1, roestvast staal olie ingewreven brons met schroeven | 10 x 10    | KD R10 E0B D1 SGV    | 105,57  |
| Design 2, roestvast staal geborsteld                          | 10 x 10    | KD R10 ED2 GV        | 131,97  |
| Design 3, roestvast staal geborsteld                          | 10 x 10    | KD R10 ED3 GV        | 131,97  |
| Design 3, roestvast staal met kleurcoating                    | ★ 10 x 10  | KD R10 ...* D3 GV    | 163,47  |
| Design 3, roestvast staal met structuurcoating                | ★ 10 x 10  | KD R10 ...** D3 GV   | 168,56  |
| Design 4, roestvast staal                                     | 10 x 10    | KD R10 ED4 GV        | 77,65   |
| Design 4, roestvast staal met kleurcoating in MGS             | ★ 10 x 10  | KD R10 MGS D4 GV     | 111,27  |
| Design 5, roestvast staal geborsteld                          | 10 x 10    | KD IF 10 EB D5 GV    | 130,03  |
| Design 5, roestvast staal met kleurcoating                    | ★ 10 x 10  | KD IF 10 ...* D5 GV  | 159,90  |
| Design 5, roestvast staal met structuurcoating                | ★ 10 x 10  | KD IF 10 ...** D5 GV | 165,00  |
| Design 6, roestvast staal geborsteld                          | 10 x 10    | KD IF 10 EB D6 GV    | 130,03  |
| Design 6, roestvast staal met kleurcoating                    | ★ 10 x 10  | KD IF 10 ...* D6 GV  | 159,90  |
| Design 6, roestvast staal met structuurcoating                | ★ 10 x 10  | KD IF 10 ...** D6 GV | 165,00  |
| Design 7, roestvast staal geborsteld                          | 10 x 10    | KD IF 10 EB D7 GV    | 132,66  |
| Design 7, roestvast staal met kleurcoating                    | ★ 10 x 10  | KD IF 10 ...* D7 GV  | 163,47  |
| Design 7, roestvast staal met structuurcoating                | ★ 10 x 10  | KD IF 10 ...** D7 GV | 168,56  |

P = 10 stuks



Art.-No. aanvullen met oppervlak/kleur (bijv. KD R10 MBW D3)

\* Oppervlakken/kleuren: MBW - MGS

\*\* Oppervlakken/kleuren: TSBG - TSC - TSDA - TSG - TSI - TSOB - TSSG

## Beschikbare oppervlakken | Kleuren



Een overzicht van de oppervlakken en kleuren vindt u vanaf pagina 342.



# Schlüter®-KERDI-DRAIN

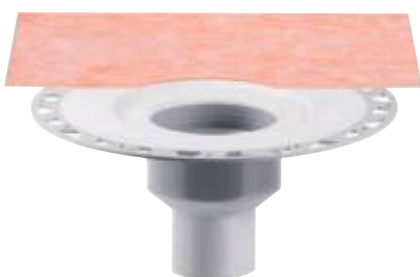
Verticale afvoer met stankafsluiter

## Stankafsluiter in rooster-/frameset

### DN 70

Afvoercapaciteit: 0,6 l/s, Restwaterhoogte: 30 mm

Bodemafvoerset



| Art.-No. | € / St. |
|----------|---------|
| KD BV 70 | 63,32   |



| Rooster-/frameset   | L x B (cm) | Art.-No.             | € / St. |
|---|------------|----------------------|---------|
| Design 1, roestvast staal met schroeven                       | 10 x 10    | KD R10 ED1 SGV       | 77,65   |
| Design 1, roestvast staal V4A met schroeven                   | 10 x 10    | KD R10 V4A D1 SGV    | 94,24   |
| Design 1, roestvast staal hoogglans gepolijst met schroeven   | 10 x 10    | KD R10 EPD1 SGV      | 83,25   |
| Design 1, roestvast staal                                     | 10 x 10    | KD R10 ED1 GV        | 77,65   |
| Design 1, roestvast staal olie ingewreven brons met schroeven | 10 x 10    | KD R10 EOB D1 SGV    | 105,57  |
| Design 2, roestvast staal geborsteld                          | 10 x 10    | KD R10 ED2 GV        | 131,97  |
| Design 3, roestvast staal geborsteld                          | 10 x 10    | KD R10 ED3 GV        | 131,97  |
| Design 3, roestvast staal met kleurcoating                    | ★ 10 x 10  | KD R10 ...* D3 GV    | 163,47  |
| Design 3, roestvast staal met structuurcoating                | ★ 10 x 10  | KD R10 ...** D3 GV   | 168,56  |
| Design 4, roestvast staal                                     | 10 x 10    | KD R10 ED4 GV        | 77,65   |
| Design 4, roestvast staal met kleurcoating in MGS             | ★ 10 x 10  | KD R10 MGS D4 GV     | 111,27  |
| Design 5, roestvast staal geborsteld                          | 10 x 10    | KD IF 10 EB D5 GV    | 130,03  |
| Design 5, roestvast staal met kleurcoating                    | ★ 10 x 10  | KD IF 10 ...* D5 GV  | 159,90  |
| Design 5, roestvast staal met structuurcoating                | ★ 10 x 10  | KD IF 10 ...** D5 GV | 165,00  |
| Design 6, roestvast staal geborsteld                          | 10 x 10    | KD IF 10 EB D6 GV    | 130,03  |
| Design 6, roestvast staal met kleurcoating                    | ★ 10 x 10  | KD IF 10 ...* D6 GV  | 159,90  |
| Design 6, roestvast staal met structuurcoating                | ★ 10 x 10  | KD IF 10 ...** D6 GV | 165,00  |
| Design 7, roestvast staal geborsteld                          | 10 x 10    | KD IF 10 EB D7 GV    | 132,66  |
| Design 7, roestvast staal met kleurcoating                    | ★ 10 x 10  | KD IF 10 ...* D7 GV  | 163,47  |
| Design 7, roestvast staal met structuurcoating                | ★ 10 x 10  | KD IF 10 ...** D7 GV | 168,56  |

P = 10 stuks

## Bijzonderheden van het rooster – stankafsluiter in rooster-/frameset



De roosters zijn voorzien van een stankafsluiter en een lipdichting.

## Rooster-design



Design 1  
CLASSIC



Design 2  
TRAPEZOID



Design 3  
SQUARE



Design 4  
TILE



Design 5  
FLORAL



Design 6  
CURVE



Design 7  
PURE

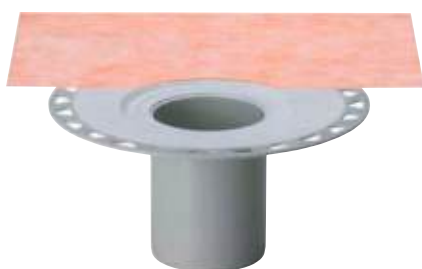
**i**  
KERDI-DRAIN voor buitentoepassing vindt u in hoofdstuk "Balkons en terrassen" vanaf pagina 305.

## Stankafsluiter in rooster-/frameset

## DN 100

Afvoercapaciteit: 0,6 l/s, Restwaterhoogte: 30 mm

Bodemafvoerset



| Art.-No.  | € / St. |
|-----------|---------|
| KD BV 100 | 63,32   |

| Rooster-/frameset   | L x B (cm) | Art.-No.             | € / St. |
|---|------------|----------------------|---------|
| Design 1, roestvast staal met schroeven                       | 10 x 10    | KD R10 ED1 SGV       | 77,65   |
| Design 1, roestvast staal V4A met schroeven                   | 10 x 10    | KD R10 V4A D1 SGV    | 94,24   |
| Design 1, roestvast staal hoogglans gepolijst met schroeven   | 10 x 10    | KD R10 EPD1 SGV      | 83,25   |
| Design 1, roestvast staal                                     | 10 x 10    | KD R10 ED1 GV        | 77,65   |
| Design 1, roestvast staal olie ingewreven brons met schroeven | 10 x 10    | KD R10 EOB D1 SGV    | 105,57  |
| Design 2, roestvast staal geborsteld                          | 10 x 10    | KD R10 ED2 GV        | 131,97  |
| Design 3, roestvast staal geborsteld                          | 10 x 10    | KD R10 ED3 GV        | 131,97  |
| Design 3, roestvast staal met kleurcoating                    | ★ 10 x 10  | KD R10 ...* D3 GV    | 163,47  |
| Design 3, roestvast staal met structuurcoating                | ★ 10 x 10  | KD R10 ...** D3 GV   | 168,56  |
| Design 4, roestvast staal                                     | 10 x 10    | KD R10 ED4 GV        | 77,65   |
| Design 4, roestvast staal met kleurcoating in MGS             | ★ 10 x 10  | KD R10 MGS D4 GV     | 111,27  |
| Design 5, roestvast staal geborsteld                          | 10 x 10    | KD IF 10 EB D5 GV    | 130,03  |
| Design 5, roestvast staal met kleurcoating                    | ★ 10 x 10  | KD IF 10 ...* D5 GV  | 159,90  |
| Design 5, roestvast staal met structuurcoating                | ★ 10 x 10  | KD IF 10 ...** D5 GV | 165,00  |
| Design 6, roestvast staal geborsteld                          | 10 x 10    | KD IF 10 EB D6 GV    | 130,03  |
| Design 6, roestvast staal met kleurcoating                    | ★ 10 x 10  | KD IF 10 ...* D6 GV  | 159,90  |
| Design 6, roestvast staal met structuurcoating                | ★ 10 x 10  | KD IF 10 ...** D6 GV | 165,00  |
| Design 7, roestvast staal geborsteld                          | 10 x 10    | KD IF 10 EB D7 GV    | 132,66  |
| Design 7, roestvast staal met kleurcoating                    | ★ 10 x 10  | KD IF 10 ...* D7 GV  | 163,47  |
| Design 7, roestvast staal met structuurcoating                | ★ 10 x 10  | KD IF 10 ...** D7 GV | 168,56  |

P = 10 stuks

Art.-No. aanvullen met oppervlak/kleur (bijv. KD R10 MBW D3 GV)

\* Oppervlakken/kleuren: MBW - MGS

\*\* Oppervlakken/kleuren: TSBG - TSC - TSDA - TSG - TSI - TSOB - TSSG

**i**  
Nu in TRENDLINE  
kleuren verkrijgbaar

## Beschikbare oppervlakken | Kleuren

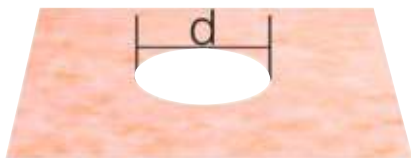


Een overzicht van de oppervlakken en kleuren vindt u vanaf pagina 342.



## Afdichtingsmanchet

### Schlüter®-KERDI-DRAIN-KD 10



KD 10 M



KD 10 MO 900 1800

#### Schlüter®-KERDI-DRAIN-DR

KERDI-manchet (d = 17,5 cm)

| L x B (cm) | Art.-No.     | € / St.      | P (st.) |
|------------|--------------|--------------|---------|
| 45 x 45    | KD 10 M      | <b>7,04</b>  | 10      |
| 90 x 90    | KD 10 M 900  | <b>28,44</b> | 10      |
| 100 x 100  | KD 10 M 1000 | <b>31,68</b> | 10      |
| 120 x 120  | KD 10 M 1200 | <b>39,15</b> | 10      |
| 150 x 150  | KD 10 M 1500 | <b>52,86</b> | 10      |

#### Schlüter®-KERDI-DRAIN-DR

KERDI-manchet, decentrale afwatering

| L x B (cm) | Art.-No.          | € / St.      | P (st.) |
|------------|-------------------|--------------|---------|
| 180 x 90   | KD 10 MO 900 1800 | <b>48,62</b> | 10      |

## Bodemafoer

### Schlüter®-KERDI-DRAIN-BASE



Schlüter-KERDI-DRAIN-BASE is een afvoer-behuizing voor de combinatie met het opzetstuk KD BV 100 en een rooster-/frameset met stankafsluiter en lipdichting. (Productdatablad 8.2)

#### Schlüter®-KERDI-DRAIN-BASE

Afvoerbehuizing

| DN (mm) | Art.-No.       | € / St.      | P (st.) |
|---------|----------------|--------------|---------|
| 40      | KD 10 BH 40/50 | <b>41,46</b> | 10      |

## Stankafsluiter

### Schlüter®-KERDI-DRAIN-R 10 GT



Schlüter-KERDI-DRAIN-R 10 GT is een stankafsluiter met siliconen afsluitklep voor alle rooster-/framesets van 10 x 10 cm. Hij kan in weinig gebruikte afvoersystemen (bijv. vakantiehuzen) in plaats van de standaard stankafsluiter worden gebruikt en voorkomt stankvorming als gevolg van een eventueel uitgedroogde stankafsluiting. Met zijn afvoercapaciteit van min. 0,4 l/s kan hij de standaard stankafsluiter ook vervangen. (Productdatablad 8.2)

#### Schlüter®-KERDI-DRAIN-R 10 GT

Droge stankafsluiter

| Art.-No.  | € / St.      | P (st.) |
|-----------|--------------|---------|
| KD R10 GT | <b>35,66</b> | 10      |

## Stankafsluiter

### Schlüter®-KERDI-LINE-GTM



Schlüter-KERDI-LINE-GTM is een siliconen afsluitklep als vervanging/reserveonderdeel voor Schlüter-KERDI-DRAIN-R10 GT en Schlüter-KERDI-LINE-GTO. (Productdatablad 8.7)

#### Schlüter®-KERDI-LINE-GTM

Vervang-afsluitklep

| Art.-No. | € / St.      | P (st.) |
|----------|--------------|---------|
| KL GTM   | <b>17,81</b> | 10      |

## Brandwerend inzetstuk

**Schlüter®-KERDI-DRAIN-BS**

Schlüter-KERDI-DRAIN-BS is een toegelaten brandwerend inzetstuk dat samen met de verticale bodemafvoerset KD BAV 50 GVB een brandoverdracht tussen verdiepingen voorkomt.

(Productdatablad 8.2)

**Schlüter®-KERDI-DRAIN-BS**

Brandwerend inzetstuk

| Art.-No. | € / St. | P (st.) |
|----------|---------|---------|
| KD BS    | 147,40  | 10      |

## Brandwerend inzetstuk

**Schlüter®-KERDI-DRAIN-ZBS**

Schlüter-KERDI-DRAIN-ZBS is een doorgangsdichting met brandwerende functie. Ze dient, ook als cementstabilisatie, samen met de verticale bodemafvoerset KD BAV 50 GVB of de verticale roestvaststalen lijnafvoergoot KLV 50 G2, als brandwerende dichting van het boorgat (Ø 160 mm) en verhindert de vorming van geluidsbruggen. Geldt enkel in combinatie met KD BS of KL BS als toegelaten brandwering.

(Productdatablad 8.2)

**Schlüter®-KERDI-DRAIN-ZBS**

Doorgangsdichting met brandwerende functie

| Art.-No. | € / St. | P (st.) |
|----------|---------|---------|
| KD ZBS   | 175,67  | 10      |

## Vuilopvangzeef

**Schlüter®-KERDI-DRAIN-KD 10 SF**

Schlüter-KERDI-DRAIN-KD 10 SF is een vuilopvangzeef die het schoonmaken van bodemafvoeren vergemakkelijkt.

(Productdatablad 8.2)

**Schlüter®-KERDI-DRAIN-KD 10 SF**

Vervangstuk: vuilopvangzeef

| Art.-No. | € / St. | P (st.) |
|----------|---------|---------|
| KD 10 SF | 12,85   | 10      |

## Renovatierooster

**Schlüter®-KERDI-DRAIN-R/-RL**

Schlüter-KERDI-DRAIN-R/-RL zijn renovatieroosters die bij saneringen in de tegelbekleding boven bestaande bodemafvoeren kunnen worden ingewerkt.

(Productdatablad 8.2)

**Schlüter®-KERDI-DRAIN-R**

Renovatierooster 15 x 15 cm

| Art.-No. | € / St. | P (st.) |
|----------|---------|---------|
| KD 15 R  | 100,44  | 10      |

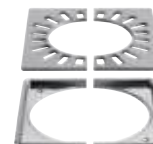


Afvoerrooster voor inbouw bij renovaties op bestaande bodemafvoeren.

**Schlüter®-KERDI-DRAIN-RL**

Renovatierooster tweedelig 15 x 15 cm

| Art.-No. | € / St. | P (st.) |
|----------|---------|---------|
| KD 15 RL | 100,44  | 10      |



Afvoerrooster voor inbouw bij renovaties op bestaande bodemafvoeren, die aan een verticaal doorlopende afvoerbuis zijn aangesloten.



## Afwateringsrooster (zonder frame)

### Schlüter®-KERDI-DRAIN

Roosters zonder frame voor de vervanging of verwisseling in bestaande installaties.  
(Productdatablad 8.2)

#### Schlüter®-KERDI-DRAIN roosters

Vervangstuk: afzonderlijke roosters voor standaardframes

| Beschrijving  | L x B (cm) | Art.-No.          | € / St.      |
|---|------------|-------------------|--------------|
| Design 1, roestvast staal met schroeven                     | 10 x 10    | KD GR 10 E D1 S   | <b>43,73</b> |
| Design 1, roestvast staal V4A met schroeven                 | 10 x 10    | KD GR 10 V4A D1 S | <b>60,31</b> |
| Design 1, roestvast staal hoogglans gepolijst met schroeven | 10 x 10    | KD GR 10 EP D1 S  | <b>48,33</b> |
| Design 1, roestvast staal                                   | 10 x 10    | KD GR 10 E D1     | <b>43,73</b> |
| Design 2, roestvast staal geborsteld                        | 10 x 10    | KD GR 10 E D2     | <b>98,04</b> |
| Design 3, roestvast staal geborsteld                        | 10 x 10    | KD GR 10 E D3     | <b>98,04</b> |
| Design 4, roestvast staal                                   | 10 x 10    | KD GR 10 E D4     | <b>43,73</b> |
| Design 1, roestvast staal met schroeven                     | 15 x 15    | KD GR 15 E D1 S   | <b>67,87</b> |
| Design 1, roestvast staal met schroeven, rond               | 15 x 15    | KD GR 15 E D1 SR  | <b>67,87</b> |

#### Schlüter®-KERDI-DRAIN-STYLE roosters

Vervangstuk: afzonderlijke roosters voor inlegframes

| Beschrijving                         | L x B (cm) | Art.-No.        | € / St.       |
|--------------------------------------|------------|-----------------|---------------|
| Design 5, roestvast staal geborsteld | 10 x 10    | KD GIF 10 EB D5 | <b>98,36</b>  |
| Design 6, roestvast staal geborsteld | 10 x 10    | KD GIF 10 EB D6 | <b>98,36</b>  |
| Design 7, roestvast staal geborsteld | 10 x 10    | KD GIF 10 EB D7 | <b>100,99</b> |

#### Opmerking:

De afdekkingen zijn alleen binnen de respectieve frame-designs verwisselbaar.

L x B (cm) overeenkomstig de framegrootte

P = 10 stuks

## Rooster-design



Design 1  
CLASSIC



Design 1  
CLASSIC  
ROUND



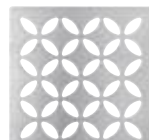
Design 2  
TRAPEZOID



Design 3  
SQUARE



Design 4  
TILE



Design 5  
FLORAL



Design 6  
CURVE



Design 7  
PURE

**Schlüter®-KERDI-DRAIN roosters** ★

Vervangstuk: afzonderlijke roosters voor standaardframes

| Beschrijving                                   | L x B (cm) | Art.-No.          | € / St.       |
|--|------------|-------------------|---------------|
| Design 3, roestvast staal met kleurcoating     | 10 x 10    | KD GR 10 ...* D3  | <b>122,22</b> |
| Design 3, roestvast staal met structuurcoating | 10 x 10    | KD GR 10 ...** D3 | <b>127,31</b> |

**Schlüter®-KERDI-DRAIN-STYLE roosters** ★

Vervangstuk: afzonderlijke roosters voor inlegframes

| Beschrijving                                   | L x B (cm) | Art.-No.           | € / St.       |
|--|------------|--------------------|---------------|
| Design 5, roestvast staal met kleurcoating     | 10 x 10    | KD GIF 10 ...* D5  | <b>122,22</b> |
| Design 5, roestvast staal met structuurcoating | 10 x 10    | KD GIF 10 ...** D5 | <b>127,31</b> |
| Design 6, roestvast staal met kleurcoating     | 10 x 10    | KD GIF 10 ...* D6  | <b>122,22</b> |
| Design 6, roestvast staal met structuurcoating | 10 x 10    | KD GIF 10 ...** D6 | <b>127,31</b> |
| Design 7, roestvast staal met kleurcoating     | 10 x 10    | KD GIF 10 ...* D7  | <b>122,22</b> |
| Design 7, roestvast staal met structuurcoating | 10 x 10    | KD GIF 10 ...** D7 | <b>127,31</b> |

L x B (cm) overeenkomstig de framegrootte

P = 10 stuks

**Art.-No. aanvullen met oppervlak/kleur (bijv. KD GIF 10 TSI D5)**

\* Oppervlakken/kleuren: MBW - MGS

\*\* Oppervlakken/kleuren: TSBG - TSC - TSDA - TSG - TSI - TSOB - TSSG

**Rooster-design**Design 3  
SQUAREDesign 5  
FLORALDesign 6  
CURVEDesign 7  
PURE**Beschikbare oppervlakken | Kleuren**

Een overzicht van de oppervlakken en kleuren vindt u vanaf pagina 342.



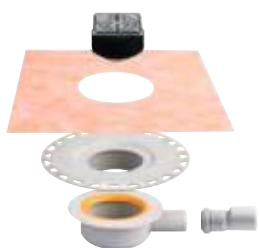
## Centrale afwateringsset binnentoepassing

### Schlüter®-KERDI-DRAIN sets

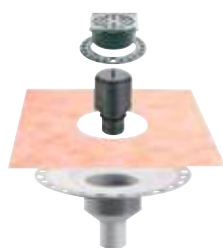


Schlüter-KERDI-DRAIN sets zijn complete sets voor de inbouw van vloerafwaterings-systemen voor de functionele aansluiting op contactafdichtingen met Schlüter-KERDI of soortgelijke afdichtingssystemen in binnen-toepassingen. De sets zijn in 3 varianten verkrijgbaar.

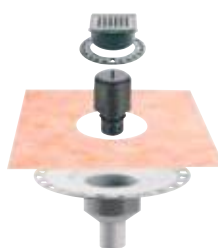
(Productdatablad 8.2)



KD 10H 40 GV ED1 S



KD 10V 50 GV ED1 S



KD 10V 50 GV ED3

### Schlüter®-KERDI-DRAIN set

Afwateringsset met horizontale afvoer

| Art.-No.           | € / Set | PL (Set) |
|--------------------|---------|----------|
| KD 10 H40 GV ED1 S | 142,65  | 10       |

Afwateringsset met verticale afvoer

| Art.-No.           | € / Set | PL (Set) |
|--------------------|---------|----------|
| KD 10 V50 GV ED1 S | 140,61  | 10       |
| KD 10 V50 GV ED3   | 183,41  | 10       |

#### KD 10 H40 GV ED1 S bevat:

- horizontale dunbedvloerafvoer Schlüter-KERDI-DRAIN-BASE DN 40/50 (afvoercapaciteit 0,4 l/s), min. opbouwhoogte 75 (70) mm
- rooster-/framecombinatie met designrooster CLASSIC van roestvast staal met schroeven in 10 x 10 cm
- rooster met stankafsluiter en lipdichting



#### KD 10 V50 GV ED1 S bevat:

- verticale dunbedvloerafvoer Schlüter-KERDI-DRAIN DN 50 (afvoercapaciteit 0,6 l/s)
- geïntegreerde stankafsluiter
- rooster-/framecombinatie met designrooster CLASSIC van roestvast staal met schroeven in 10 x 10 cm
- incl. frameverlenging, hoogteregeling en vuilopvangzeef



#### KD 10 V50 GV ED3 bevat:

- verticale dunbedvloerafvoer Schlüter-KERDI-DRAIN DN 50 (afvoercapaciteit 0,6 l/s)
- geïntegreerde stankafsluiter
- rooster-/framecombinatie met designrooster SQUARE van geborsteld roestvast staal in 10 x 10 cm
- incl. frameverlenging, hoogteregeling en vuilopvangzeef



## Centrale afwateringsset binnentoepassing

## Schlüter®-KERDI-SHOWER-SK/-SKB



Schlüter-KERDI-SHOWER-SK is een afdichtingsset voor betegelde inloopdouches. Deze set bevat Schlüter-KERDI voor de afdichting van wandvlakken aan de douche, alsook de bijbehorende vormelementen voor binnenhoeken en buisdoorvoeringen. De levering bevat verder een Schlüter-KERDI-KEBA afdichtingsband om stootnaden en overgangen tussen vloer en wand af te dichten en Schlüter-KERDI-COLL-afdichtingslijm voor de verlijming van afdichtingsbanden en vormelementen. Bij de afdichtingsset Schlüter-KERDI-SHOWER-SKB is bovendien een Schlüter-KERDI-DRAIN-BASE-bodemafvoer inbegrepen. KERDI-SHOWER-SK kan worden gebruikt voor klassiek gerealiseerde inloopdouches of in combinatie met de vloerelementen Schlüter-KERDI-SHOWER-LT, -LTS, -T, -TS en -TT.

(Productdatablad 8.6)

## Schlüter®-KERDI-SHOWER-SK

## Afdichtingsset

| L x B (cm)            | Art.-No. | € / Set | PL (Set) |
|-----------------------|----------|---------|----------|
| 90 x 90 / 100 x 100   | KSS 5    | 214,88  | 9        |
| 120 x 120 / 150 x 150 | KSS 10   | 374,82  | 9        |

## Inhoud Schlüter-KERDI-SHOWER-SK (KSS 5):

- 1 st. Schlüter-KERDI 200, 1 m x 5 m
- 2 st. Schlüter-KERDI-KERECK-F/I
- 1 st. Schlüter-KERDI-KEBA, 12,5 cm x 10 m
- 1 st. Schlüter-KERDI-COLL-L, 1,85 kg
- 2 st. Schlüter-KERDI-KM, Ø 150 mm

## Inhoud Schlüter-KERDI-SHOWER-SK (KSS 10):

- 1 st. Schlüter-KERDI 200, 1 m x 10 m
- 2 st. Schlüter-KERDI-KERECK-F/I
- 1 st. Schlüter-KERDI-KEBA, 12,5 cm x 12,5 m
- 1 st. Schlüter-KERDI-COLL-L, 4,25 kg
- 2 st. Schlüter-KERDI-KM, Ø 150 mm

## Schlüter®-KERDI-SHOWER-SKB

## Afdichtingsset met bodemafvoer

| L x B (cm)            | Art.-No.          | € / Set | PL (Set) |
|-----------------------|-------------------|---------|----------|
| 90 x 90 / 100 x 100   | KSS 5 KD10 EH 40  | 365,68  | 9        |
| 120 x 120 / 150 x 150 | KSS 10 KD10 EH 40 | 527,03  | 9        |

## Inhoud Schlüter-KERDI-SHOWER-SKB (KSS 5 KD10 EH 40):

- 1 st. Schlüter-KERDI 200, 1 m x 5 m
- 2 st. Schlüter-KERDI-KERECK-F/I
- 1 st. Schlüter-KERDI-KEBA, 12,5 cm x 10 m
- 1 st. Schlüter-KERDI-COLL-L, 1,85 kg
- 2 st. Schlüter-KERDI-KM, Ø 150 mm
- 1 set Schlüter-KERDI-DRAIN-BASE bestaand uit: bodemafvoerset "KD BH 40" en rooster-/frameset "KD R10 ED1 SGV"

## Inhoud Schlüter-KERDI-SHOWER-SKB (KSS 10 KD10 EH 40):

- 1 st. Schlüter-KERDI 200, 1 m x 10 m
- 2 st. Schlüter-KERDI-KERECK-F/I
- 1 st. Schlüter-KERDI-KEBA, 12,5 cm x 12,5 m
- 1 st. Schlüter-KERDI-COLL-L, 4,25 kg
- 2 st. Schlüter-KERDI-KM, Ø 150 mm
- 1 set Schlüter-KERDI-DRAIN-BASE bestaand uit: bodemafvoerset "KD BH 40" en rooster-/frameset "KD R10 ED1 SGV"

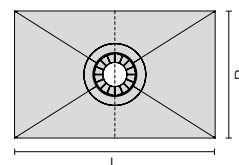
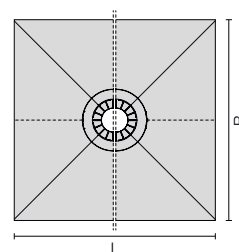
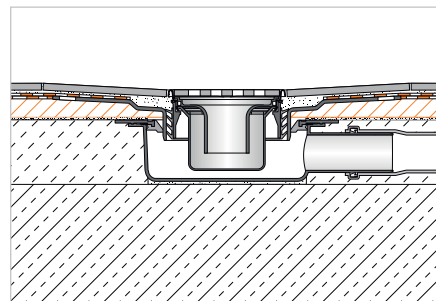


## Hellingsplaat

### Schlüter®-KERDI-SHOWER-T



Schlüter-KERDI-SHOWER-T is een hellingsplaat van drukvast polystyreen met een af fabriek aangebrachte Schlüter-KERDI afdichting. In de inloopdouche wordt hiermee voldoende afschot gecreëerd naar een centraal afvoerpunt. De plaat is geschikt voor de bevestiging van de Schlüter-KERDI-DRAIN bodemafoer. De hellingsplaat wordt op een vooraf aangebrachte nivelleringslaag met een ingewerkte KERDI-DRAIN afvoerbehuizing geplaatst. Langs de aangegeven snijgroeven kan de plaat heel eenvoudig met een cuttermes op maat worden gesneden, waarbij de verhoudingen tussen de zijden gelijk blijven. (Productdatablad 8.6)



### Schlüter®-KERDI-SHOWER-T

Hellingsplaat voor centrale afvoer

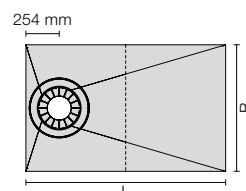
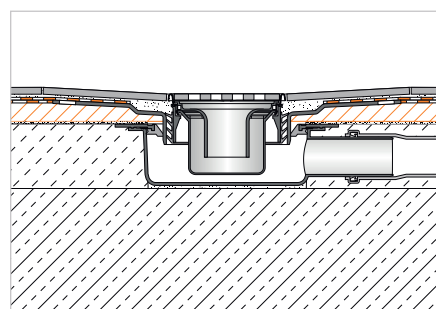
| L x B (cm) | H (mm) | Afschot (%) | Art.-No.        | € / St.       | P (st.) |
|------------|--------|-------------|-----------------|---------------|---------|
| 152 x 152  | 30     | 2           | KST 1525        | <b>267,76</b> | 10      |
| 183 x 183  | 32     | 2           | KST 1830        | <b>286,89</b> | 10      |
| 152 x 96   | 29     | 2           | KST 965 / 1525  | <b>216,76</b> | 10      |
| 152 x 122  | 28     | 2           | KST 1220 / 1525 | <b>223,14</b> | 10      |
| 183 x 122  | 32     | 2           | KST 1220 / 1830 | <b>242,26</b> | 10      |

## Hellingsplaat

### Schlüter®-KERDI-SHOWER-TS



Schlüter-KERDI-SHOWER-TS is een hellingsplaat van drukvast polystyreen met een af fabriek aangebrachte Schlüter-KERDI afdichting. In de inloopdouche wordt hiermee voldoende afschot gecreëerd naar een decentraal afvoerpunt. De plaat is geschikt voor de bevestiging van de Schlüter-KERDI-DRAIN bodemafoer. De hellingsplaat wordt op een vooraf aangebrachte nivelleringslaag met een ingewerkte KERDI-DRAIN afvoerbehuizing geplaatst. Langs de aangegeven snijgroeven kan de plaat heel eenvoudig met een cuttermes op maat worden gesneden, waarbij de verhoudingen tussen de zijden gelijk blijven. (Productdatablad 8.6)



### Schlüter®-KERDI-SHOWER-TS

Hellingsplaat voor decentrale afvoer

| L x B (cm) | H (mm) | Afschot (%) | Art.-No.         | € / St.       | P (st.) |
|------------|--------|-------------|------------------|---------------|---------|
| 152 x 96   | 28     | 1           | KST 965 / 1525 S | <b>197,64</b> | 10      |

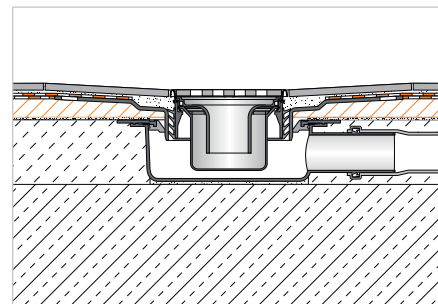
## Hellingsplaat

### Schlüter®-KERDI-SHOWER-TT



Schlüter-KERDI-SHOWER-TT is een hellingsplaat van drukvast polystyreen met een af fabriek aangebrachte Schlüter-KERDI afdichting. In de inloofdouche wordt hiermee voldoende afschot gecreëerd naar een centraal of decentraal afvoerpunt. De plaat is geschikt voor de bevestiging van de Schlüter-KERDI-DRAIN bodemafvoer. De hellingsplaat wordt op een vooraf aangebrachte nivelleringslaag met een ingewerkte KERDI-DRAIN afvoerbuizing geplaatst. Langs de aangegeven snijgroeven kan de plaat heel eenvoudig met een cuttermes op maat worden gesneden, waarbij de verhoudingen tussen de zijden gelijk blijven.

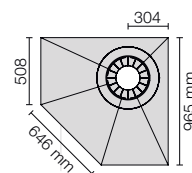
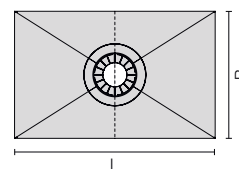
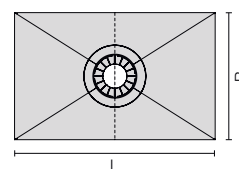
(Productdatablad 8.6)



### Schlüter®-KERDI-SHOWER-TT

Hellingsplaat voor centrale afvoer

| L x B (cm) | H (mm) | Afschot (%) | Art.-No.          | € / St.       | P (st.) |
|------------|--------|-------------|-------------------|---------------|---------|
| 91 x 91    | 22     | 2           | KST 915 BF        | <b>140,26</b> | 10      |
| 101 x 101  | 23     | 2           | KST 1015 BF       | <b>153,00</b> | 10      |
| 122 x 122  | 25     | 2           | KST 1220 BF       | <b>197,64</b> | 10      |
| 96 x 81    | 23     | 2           | KST 965 / 810 BF  | <b>223,14</b> | 10      |
| 122 x 91   | 25     | 2           | KST 915 / 1220 BF | <b>235,89</b> | 10      |



### Schlüter®-KERDI-SHOWER-TT

Hellingsplaat voor decentrale afvoer

| L x B (cm) | H (mm) | Afschot (%) | Art.-No.        | € / St.       | P (st.) |
|------------|--------|-------------|-----------------|---------------|---------|
| 96 x 96    | 26     | 2           | KST 965 NA / BF | <b>223,14</b> | 10      |



# Schlüter®-DESIGN-NICHE

Trendy en individuele vormgeving met design

- ✓ Functionaliteit, flexibiliteit en design in één systeem
- ✓ Hoogwaardige poedercoating in TRENDLINE kleuren
- ✓ Verstelbaar frame: uitvoering gelijk met de tegels of vooruitstekend
- ✓ Geschikt voor alle tegeldiktes
- ✓ Drie verschillende formaten
- ✓ Verticale of horizontale inbouw
- ✓ Licht gewicht
- ✓ Eenvoudig te installeren
- ✓ Geschikt voor alle wandtypes



## Nis

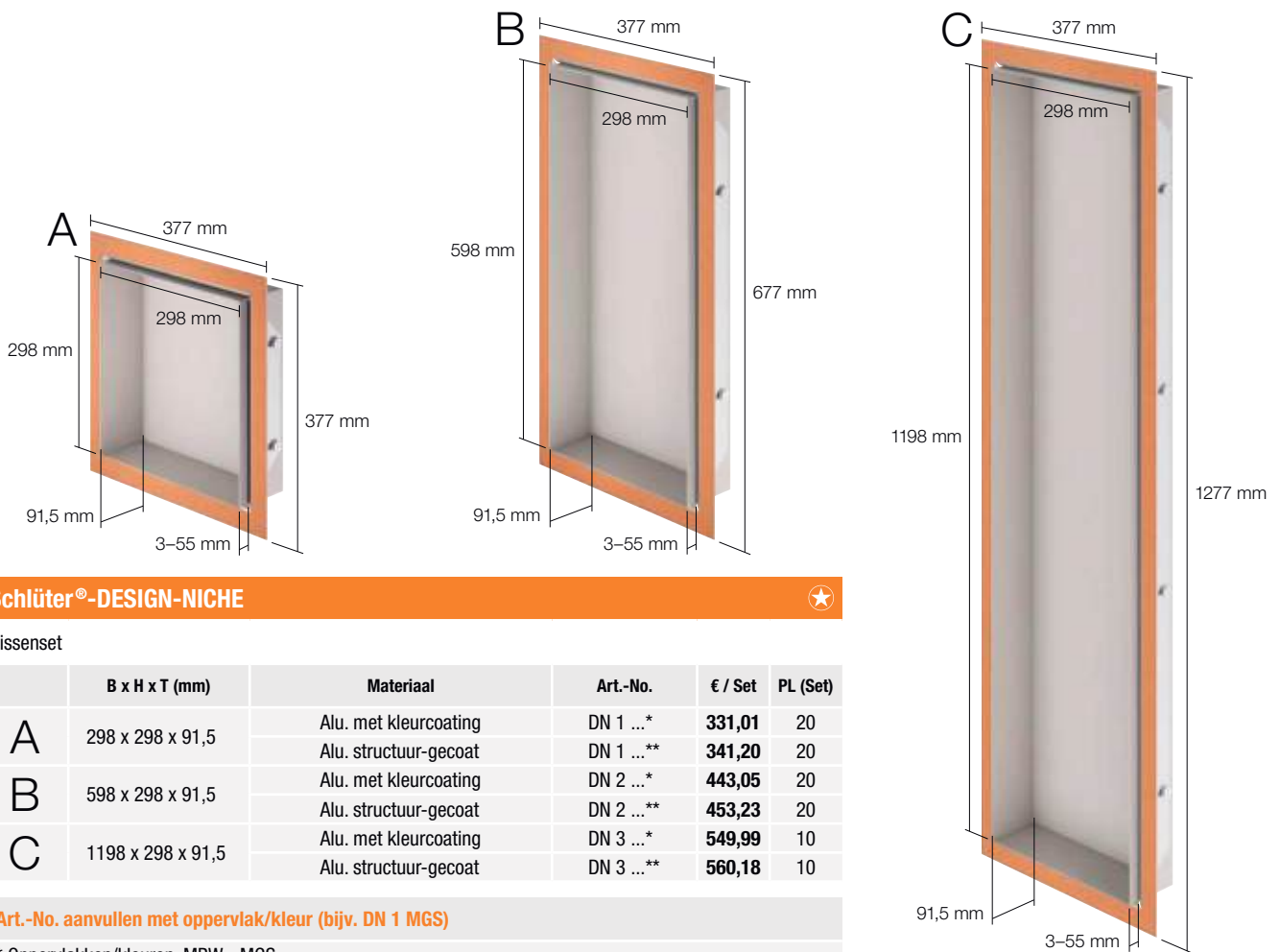
## Schlüter®-DESIGN-NICHE



Schlüter-DESIGN-NICHE zijn voorgevormde inbouwelementen van gepoedercoat aluminium met een in hoogte verstelbaar frame voor het maken van nissen, die als opbergmogelijkheden voor allerlei soorten wanden dienen. Met de bijgeleverde KERDI-afdichtingsmanchet kan een betrouwbare afdichting worden uitgevoerd. De rechthoekige nissen zijn in drie verschillende formaten en veel TRENDLINE kleuren verkrijgbaar en kunnen zowel verticaal als horizontaal worden ingebouwd. Alle nissen worden met een verstelbaar frame uit geëloxeerd aluminium, een voorgevormde KERDI-afdichtingsmanchet en afdichtingslijm KERDI-FIX geleverd. (Productdatablad 17.2)



## Afmetingen van de nissen



## Schlüter®-DESIGN-NICHE



## Nissenset

|   | B x H x T (mm)    | Materiaal             | Art.-No.   | € / Set       | PL (Set) |
|---|-------------------|-----------------------|------------|---------------|----------|
| A | 298 x 298 x 91,5  | Alu. met kleurcoating | DN 1 ...*  | <b>331,01</b> | 20       |
|   |                   | Alu. structuur-gecoat | DN 1 ...** | <b>341,20</b> | 20       |
| B | 598 x 298 x 91,5  | Alu. met kleurcoating | DN 2 ...*  | <b>443,05</b> | 20       |
|   |                   | Alu. structuur-gecoat | DN 2 ...** | <b>453,23</b> | 20       |
| C | 1198 x 298 x 91,5 | Alu. met kleurcoating | DN 3 ...*  | <b>549,99</b> | 10       |
|   |                   | Alu. structuur-gecoat | DN 3 ...** | <b>560,18</b> | 10       |

## Art.-No. aanvullen met oppervlak/kleur (bijv. DN 1 MGS)

\* Oppervlakken/kleuren: MBW - MGS

\*\* Oppervlakken/kleuren: TSBG - TSC - TSDA - TSG - TSI - TSOB - TSSG

## Beschikbare oppervlakken | Kleuren



Een overzicht van de oppervlakken en kleuren vindt u vanaf pagina 342.

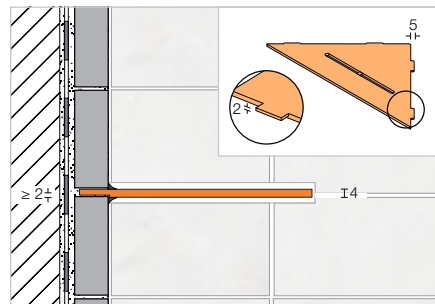


## Planchet

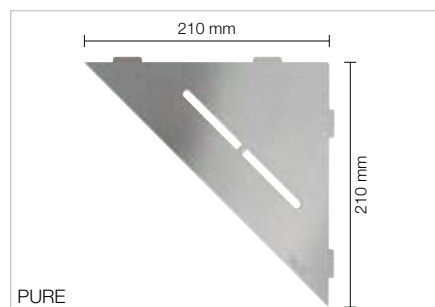
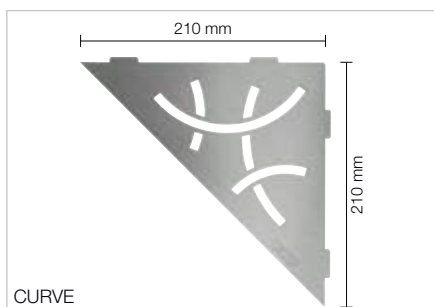
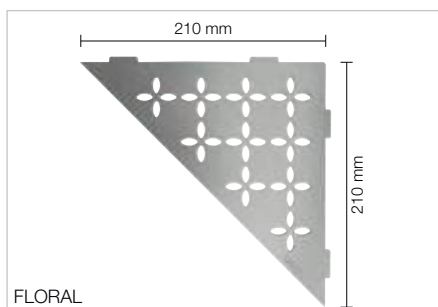
### Schlüter®-SHELF-E-S1



Schlüter-SHELF-E-S1 zijn driehoekige planchetten voor hoekinbouw. Ze zijn verkrijgbaar in de designvarianten FLORAL, CURVE, PURE, SQUARE en WAVE, en in de materiaalkwaliteit roestvast staal geborsteld of aluminium met hoogwaardige TRENDLINE poedercoating. De planchetten kunnen bij de betegeling in het tegelbeeld worden geïntegreerd of achteraf met de slechts 2 mm dikke bevestigingslippen in de voegen van betegelde wanden worden geplaatst. SHELF-E-S1 zijn geschikt als planchetten voor de doucheruimte, maar worden bijv. ook toegepast in tegelwanden van keukens. (Productdatablad 17.1)



**i**  
Ook voor inbouw achteraf



#### Schlüter®-SHELF-E-S1-EB

Planchet, design FLORAL, roestvast staal geborsteld

| Art.-No.    | € / St. | P (st.) |
|-------------|---------|---------|
| SE S1 D5 EB | 112,78  | 10      |

#### Schlüter®-SHELF-E-S1-EB

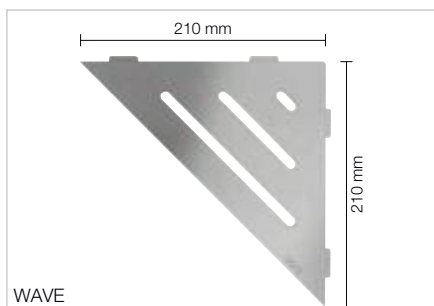
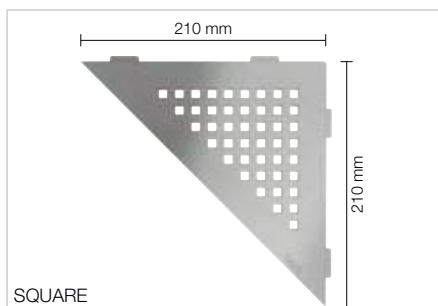
Planchet, design CURVE, roestvast staal geborsteld

| Art.-No.    | € / St. | P (st.) |
|-------------|---------|---------|
| SE S1 D6 EB | 106,15  | 10      |

#### Schlüter®-SHELF-E-S1-EB

Planchet, design PURE, roestvast staal geborsteld

| Art.-No.    | € / St. | P (st.) |
|-------------|---------|---------|
| SE S1 D7 EB | 111,39  | 10      |



#### Schlüter®-SHELF-E-S1-EB

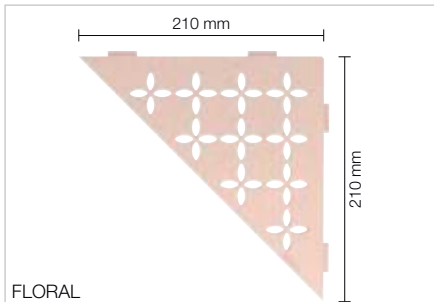
Planchet, design SQUARE, roestvast staal geborsteld

| Art.-No.    | € / St. | P (st.) |
|-------------|---------|---------|
| SE S1 D3 EB | 111,39  | 10      |

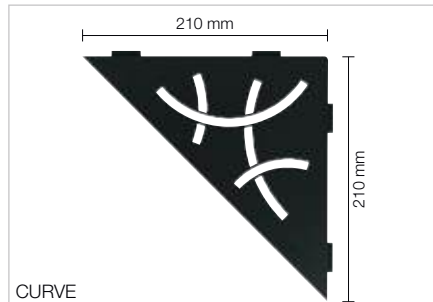
#### Schlüter®-SHELF-E-S1-EB

Planchet, design WAVE, roestvast staal geborsteld

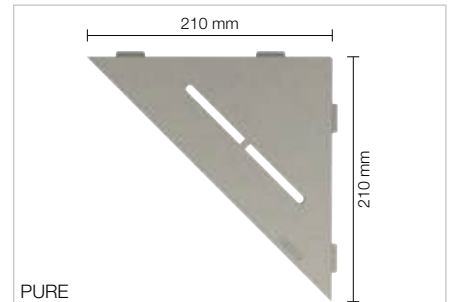
| Art.-No.     | € / St. | P (st.) |
|--------------|---------|---------|
| SE S1 D10 EB | 111,39  | 10      |



FLORAL



CURVE



PURE

**Schlüter®-SHELF-E-S1-AC**

Planchet, design FLORAL, alu. met kleurcoating

| Art.-No.      | € / St.      | P (st.) |
|---------------|--------------|---------|
| SE S1 D5 ...* | <b>82,62</b> | 10      |

**Schlüter®-SHELF-E-S1-AC**

Planchet, design CURVE, alu. met kleurcoating

| Art.-No.      | € / St.      | P (st.) |
|---------------|--------------|---------|
| SE S1 D6 ...* | <b>76,17</b> | 10      |

**Schlüter®-SHELF-E-S1-AC**

Planchet, design PURE, alu. met kleurcoating

| Art.-No.      | € / St.      | P (st.) |
|---------------|--------------|---------|
| SE S1 D7 ...* | <b>84,79</b> | 10      |

**Schlüter®-SHELF-E-S1-TS**

Planchet, design FLORAL, alu. structuur-gecoat

| Art.-No.       | € / St.      | P (st.) |
|----------------|--------------|---------|
| SE S1 D5 ...** | <b>90,37</b> | 10      |

**Schlüter®-SHELF-E-S1-TS**

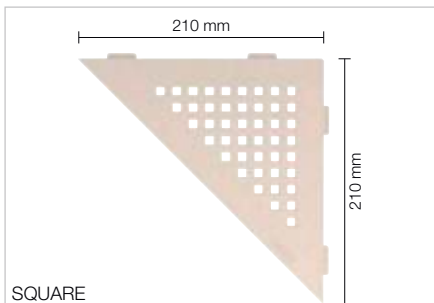
Planchet, design CURVE, alu. structuur-gecoat

| Art.-No.       | € / St.      | P (st.) |
|----------------|--------------|---------|
| SE S1 D6 ...** | <b>83,90</b> | 10      |

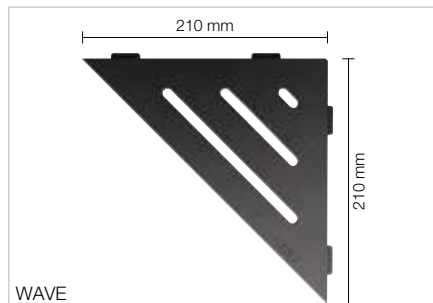
**Schlüter®-SHELF-E-S1-TS**

Planchet, design PURE, alu. structuur-gecoat

| Art.-No.       | € / St.      | P (st.) |
|----------------|--------------|---------|
| SE S1 D7 ...** | <b>91,17</b> | 10      |



SQUARE



WAVE

**Schlüter®-SHELF-E-S1-AC**

Planchet, design SQUARE, alu. met kleurcoating

| Art.-No.      | € / St.      | P (st.) |
|---------------|--------------|---------|
| SE S1 D3 ...* | <b>84,79</b> | 10      |

**Schlüter®-SHELF-E-S1-AC**

Planchet, design WAVE, alu. met kleurcoating

| Art.-No.       | € / St.      | P (st.) |
|----------------|--------------|---------|
| SE S1 D10 ...* | <b>84,79</b> | 10      |

**Schlüter®-SHELF-E-S1-TS**

Planchet, design SQUARE, alu. structuur-gecoat

| Art.-No.       | € / St.      | P (st.) |
|----------------|--------------|---------|
| SE S1 D3 ...** | <b>91,17</b> | 10      |

**Schlüter®-SHELF-E-S1-TS**

Planchet, design WAVE, alu. structuur-gecoat

| Art.-No.        | € / St.      | P (st.) |
|-----------------|--------------|---------|
| SE S1 D10 ...** | <b>91,17</b> | 10      |



Art.-No. aanvullen met oppervlak/kleur (bijv. SE S1 D10 TSC)

\* Oppervlakken/kleuren: MBW - MGS

\*\* Oppervlakken/kleuren:

TSBG - TSC - TSDA - TSG - TSI - TSOB - TSSG

Beschikbare oppervlakken | Kleuren



Een overzicht van de oppervlakken en kleuren vindt u vanaf pagina 342.

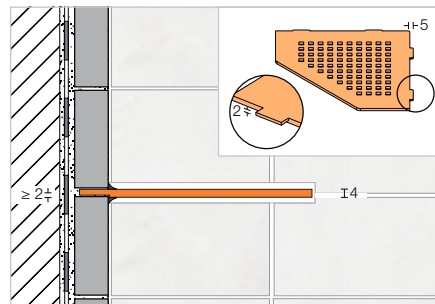


## Planchet

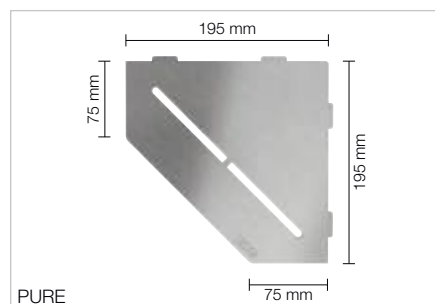
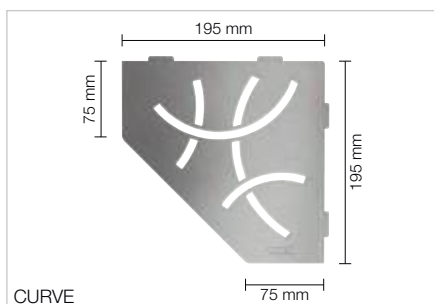
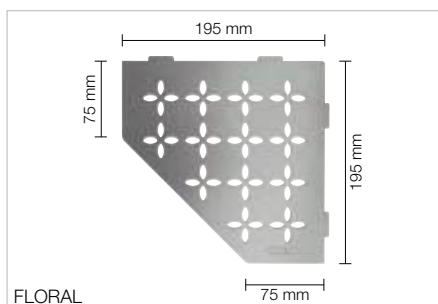
### Schlüter®-SHELF-E-S2



Schlüter-SHELF-E-S2 zijn vijfhoekige planchetten voor hoekinbouw. Ze zijn verkrijgbaar in de designvarianten FLORAL, CURVE, PURE, SQUARE en WAVE, en in de materiaalkwaliteit roestvast staal geborsteld of aluminium met hoogwaardige TRENDLINE poedercoating. De planchetten kunnen bij de betegeling in het tegelbeeld worden geïntegreerd of achteraf met de slechts 2 mm dikke bevestigingslippen in de voegen van betegelde wanden worden geplaatst. SHELF-E-S2 zijn geschikt als planchetten voor de doucheruimte, maar worden bijv. ook toegepast in tegelwanden van keukens. (Productdatablad 17.1)



**i**  
Ook voor inbouw achteraf



#### Schlüter®-SHELF-E-S2-EB

Planchet, design FLORAL, roestvast staal geborsteld

| Art.-No.    | € / St.       | P (st.) |
|-------------|---------------|---------|
| SE S2 D5 EB | <b>119,42</b> | 10      |

#### Schlüter®-SHELF-E-S2-EB

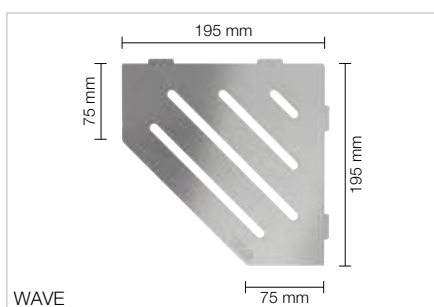
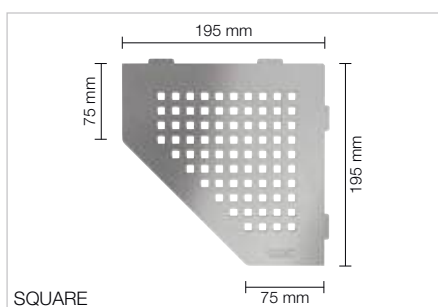
Planchet, design CURVE, roestvast staal geborsteld

| Art.-No.    | € / St.       | P (st.) |
|-------------|---------------|---------|
| SE S2 D6 EB | <b>112,78</b> | 10      |

#### Schlüter®-SHELF-E-S2-EB

Planchet, design PURE, roestvast staal geborsteld

| Art.-No.    | € / St.       | P (st.) |
|-------------|---------------|---------|
| SE S2 D7 EB | <b>117,93</b> | 10      |



#### Schlüter®-SHELF-E-S2-EB

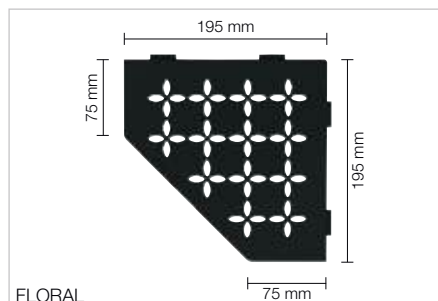
Planchet, design SQUARE, roestvast staal geborsteld

| Art.-No.    | € / St.       | P (st.) |
|-------------|---------------|---------|
| SE S2 D3 EB | <b>117,93</b> | 10      |

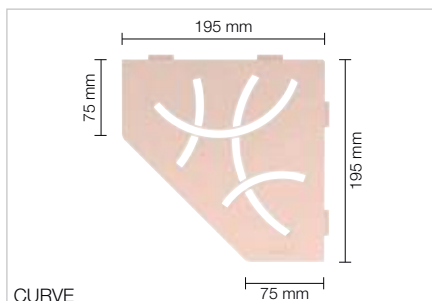
#### Schlüter®-SHELF-E-S2-EB

Planchet, design WAVE, roestvast staal geborsteld

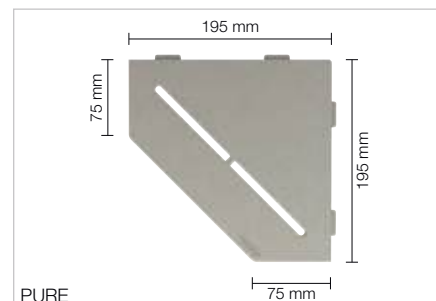
| Art.-No.     | € / St.       | P (st.) |
|--------------|---------------|---------|
| SE S2 D10 EB | <b>117,93</b> | 10      |



FLORAL



CURVE



PURE

### Schlüter®-SHELF-E-S2-AC

Planchet, design FLORAL, alu. met kleurcoating

| Art.-No.      | € / St. | P (st.) |
|---------------|---------|---------|
| SE S2 D5 ...* | 85,85   | 10      |

### Schlüter®-SHELF-E-S2-AC

Planchet, design CURVE, alu. met kleurcoating

| Art.-No.      | € / St. | P (st.) |
|---------------|---------|---------|
| SE S2 D6 ...* | 80,69   | 10      |

### Schlüter®-SHELF-E-S2-AC

Planchet, design PURE, alu. met kleurcoating

| Art.-No.      | € / St. | P (st.) |
|---------------|---------|---------|
| SE S2 D7 ...* | 86,07   | 10      |

### Schlüter®-SHELF-E-S2-TS

Planchet, design FLORAL, alu. structuur-gecoat

| Art.-No.       | € / St. | P (st.) |
|----------------|---------|---------|
| SE S2 D5 ...** | 93,60   | 10      |

### Schlüter®-SHELF-E-S2-TS

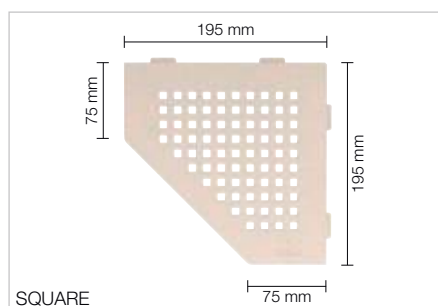
Planchet, design CURVE, alu. structuur-gecoat

| Art.-No.       | € / St. | P (st.) |
|----------------|---------|---------|
| SE S2 D6 ...** | 88,45   | 10      |

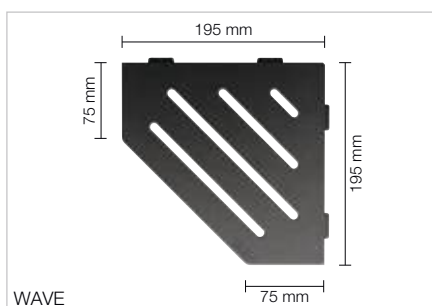
### Schlüter®-SHELF-E-S2-TS

Planchet, design PURE, alu. structuur-gecoat

| Art.-No.       | € / St. | P (st.) |
|----------------|---------|---------|
| SE S2 D7 ...** | 93,71   | 10      |



SQUARE



WAVE

### Schlüter®-SHELF-E-S2-AC

Planchet, design SQUARE, alu. met kleurcoating

| Art.-No.      | € / St. | P (st.) |
|---------------|---------|---------|
| SE S2 D3 ...* | 86,07   | 10      |

### Schlüter®-SHELF-E-S2-AC

Planchet, design WAVE, alu. met kleurcoating

| Art.-No.       | € / St. | P (st.) |
|----------------|---------|---------|
| SE S2 D10 ...* | 86,07   | 10      |

### Schlüter®-SHELF-E-S2-TS

Planchet, design SQUARE, alu. structuur-gecoat

| Art.-No.       | € / St. | P (st.) |
|----------------|---------|---------|
| SE S2 D3 ...** | 93,71   | 10      |

### Schlüter®-SHELF-E-S2-TS

Planchet, design WAVE, alu. structuur-gecoat

| Art.-No.        | € / St. | P (st.) |
|-----------------|---------|---------|
| SE S2 D10 ...** | 93,71   | 10      |



Art.-No. aanvullen met oppervlak/kleur (bijv. SE S2 D10 TSC)

\* Oppervlakken/kleuren: MBW - MGS

\*\* Oppervlakken/kleuren:

TSBG - TSC - TSDA - TSG - TSI - TSOB - TSSG

## Beschikbare oppervlakken | Kleuren



Een overzicht van de oppervlakken en kleuren vindt u vanaf pagina 342.



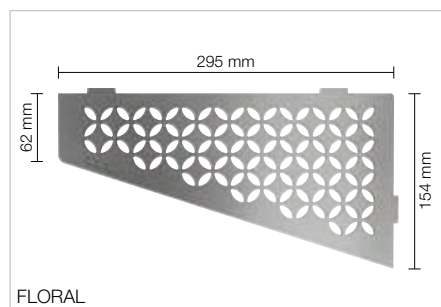
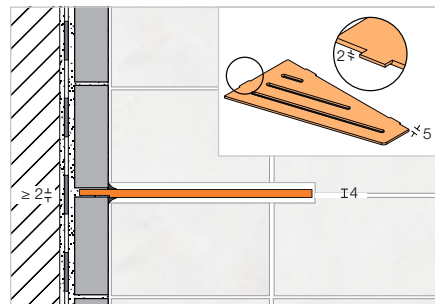
## Planchet

### Schlüter®-SHELF-E-S3

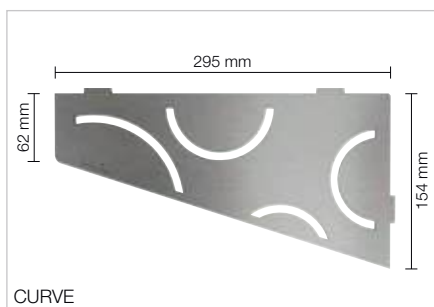


Schlüter-SHELF-E-S3 zijn vierhoekige planchetten met asymmetrische lengtes voor hoekinbouw. Ze zijn verkrijgbaar in de designvarianten FLORAL, CURVE, PURE, SQUARE en WAVE, en in de materiaalkwaliteit roestvast staal geborsteld of aluminium met hoogwaardige TRENDLINE poedercoating. De planchetten kunnen bij de betegeling in het tegelbeeld worden geïntegreerd of achteraf met de slechts 2 mm dikke bevestigingslippen in de voegen van betegelde wanden worden geplaatst. SHELF-E-S3 zijn geschikt als planchetten voor de doucheruimte, maar worden bijv. ook toegepast in tegelwanden van keukens.

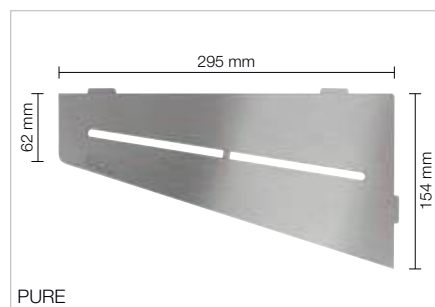
(Productdatablad 17.1)



FLORAL



CURVE



PURE

#### Schlüter®-SHELF-E-S3-EB

Planchet, design FLORAL, roestvast staal geborsteld

| Art.-No.    | € / St. | P (st.) |
|-------------|---------|---------|
| SE S3 D5 EB | 126,06  | 10      |

#### Schlüter®-SHELF-E-S3-EB

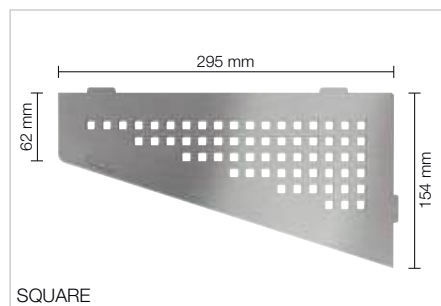
Planchet, design CURVE, roestvast staal geborsteld

| Art.-No.    | € / St. | P (st.) |
|-------------|---------|---------|
| SE S3 D6 EB | 119,42  | 10      |

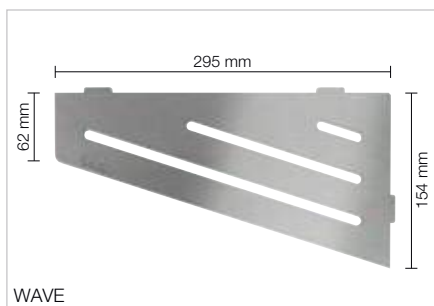
#### Schlüter®-SHELF-E-S3-EB

Planchet, design PURE, roestvast staal geborsteld

| Art.-No.    | € / St. | P (st.) |
|-------------|---------|---------|
| SE S3 D7 EB | 124,49  | 10      |



SQUARE



WAVE

#### Schlüter®-SHELF-E-S3-EB

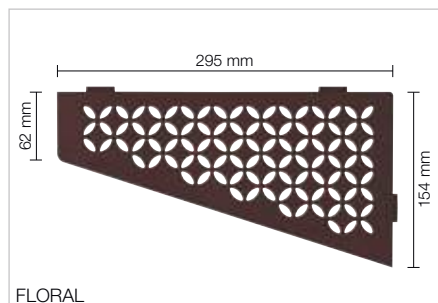
Planchet, design SQUARE, roestvast staal geborsteld

| Art.-No.    | € / St. | P (st.) |
|-------------|---------|---------|
| SE S3 D3 EB | 124,49  | 10      |

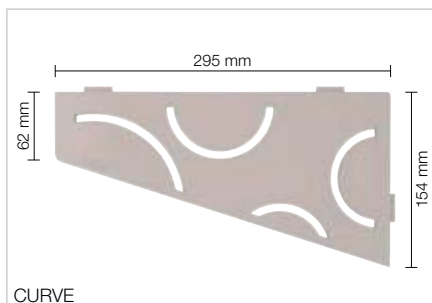
#### Schlüter®-SHELF-E-S3-EB

Planchet, design WAVE, roestvast staal geborsteld

| Art.-No.     | € / St. | P (st.) |
|--------------|---------|---------|
| SE S3 D10 EB | 124,49  | 10      |



FLORAL



CURVE



PURE

### Schlüter®-SHELF-E-S3-AC

Planchet, design FLORAL, alu. met kleurcoating

| Art.-No.      | € / St.      | P (st.) |
|---------------|--------------|---------|
| SE S3 D5 ...* | <b>89,08</b> | 10      |

### Schlüter®-SHELF-E-S3-AC

Planchet, design CURVE, alu. met kleurcoating

| Art.-No.      | € / St.      | P (st.) |
|---------------|--------------|---------|
| SE S3 D6 ...* | <b>82,62</b> | 10      |

### Schlüter®-SHELF-E-S3-AC

Planchet, design PURE, alu. met kleurcoating

| Art.-No.      | € / St.      | P (st.) |
|---------------|--------------|---------|
| SE S3 D7 ...* | <b>89,26</b> | 10      |

### Schlüter®-SHELF-E-S3-TS

Planchet, design FLORAL, alu. structuur-gecoat

| Art.-No.       | € / St.      | P (st.) |
|----------------|--------------|---------|
| SE S3 D5 ...** | <b>96,83</b> | 10      |

### Schlüter®-SHELF-E-S3-TS

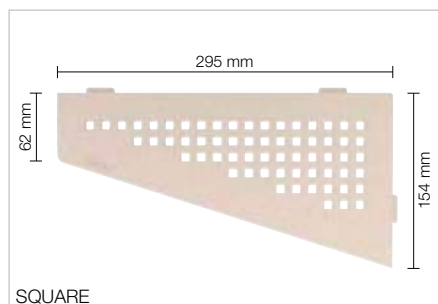
Planchet, design CURVE, alu. structuur-gecoat

| Art.-No.       | € / St.      | P (st.) |
|----------------|--------------|---------|
| SE S3 D6 ...** | <b>90,37</b> | 10      |

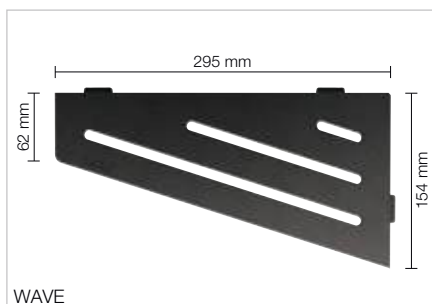
### Schlüter®-SHELF-E-S3-TS

Planchet, design PURE, alu. structuur-gecoat

| Art.-No.       | € / St.      | P (st.) |
|----------------|--------------|---------|
| SE S3 D7 ...** | <b>95,64</b> | 10      |



SQUARE



WAVE

### Schlüter®-SHELF-E-S3-AC

Planchet, design SQUARE, alu. met kleurcoating

| Art.-No.      | € / St.      | P (st.) |
|---------------|--------------|---------|
| SE S3 D3 ...* | <b>89,26</b> | 10      |

### Schlüter®-SHELF-E-S3-AC

Planchet, design WAVE, alu. met kleurcoating

| Art.-No.       | € / St.      | P (st.) |
|----------------|--------------|---------|
| SE S3 D10 ...* | <b>89,26</b> | 10      |

### Schlüter®-SHELF-E-S3-TS

Planchet, design SQUARE, alu. structuur-gecoat

| Art.-No.       | € / St.      | P (st.) |
|----------------|--------------|---------|
| SE S3 D3 ...** | <b>95,64</b> | 10      |

### Schlüter®-SHELF-E-S3-TS

Planchet, design WAVE, alu. structuur-gecoat

| Art.-No.        | € / St.      | P (st.) |
|-----------------|--------------|---------|
| SE S3 D10 ...** | <b>95,64</b> | 10      |



Art.-No. aanvullen met oppervlak/kleur (bijv. SE S3 D10 TSC)

\* Oppervlakken/kleuren: MBW - MGS

\*\* Oppervlakken/kleuren:

TSBG - TSC - TSDA - TSG - TSI - TSOB - TSSG

## Beschikbare oppervlakken | Kleuren



Een overzicht van de oppervlakken en kleuren vindt u vanaf pagina 342.



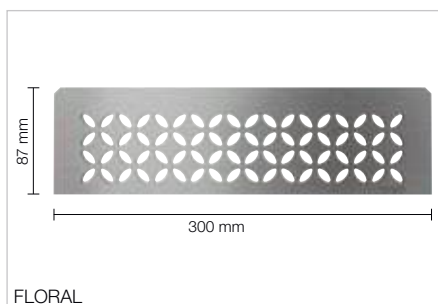
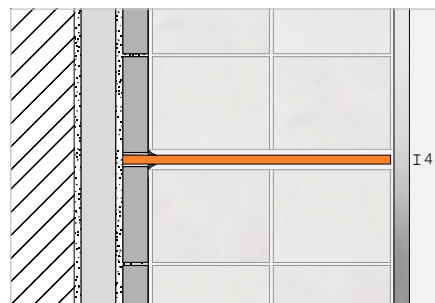
## Planchet

### Schlüter®-SHELF-N

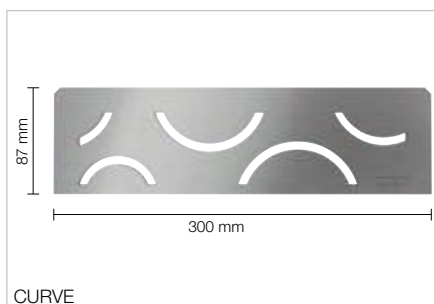


Schlüter-SHELF-N zijn rechthoekige planchetten voor gebruik in de kant-en-klare Schlüter-KERDI-BOARD nissen. Ze zijn verkrijgbaar in de designvarianten FLORAL, CURVE, PURE, SQUARE en WAVE, en in de materiaalkwaliteit roestvast staal geborsteld of aluminium met hoogwaardige TRENDLINE poedercoating. Ze worden tijdens de betegeling precies op maat als planchet in de KERDI-BOARD nissen geïntegreerd.

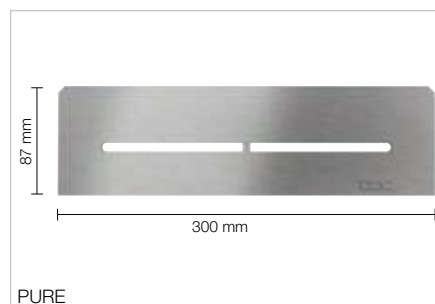
(Productdatablad 17.1)



FLORAL



CURVE



PURE

#### Schlüter®-SHELF-N-S1-EB

Planchet, design FLORAL, roestvast staal geborsteld

| Art.-No.    | € / St. | P (st.) |
|-------------|---------|---------|
| SN S1 D5 EB | 117,43  | 10      |

#### Schlüter®-SHELF-N-S1-EB

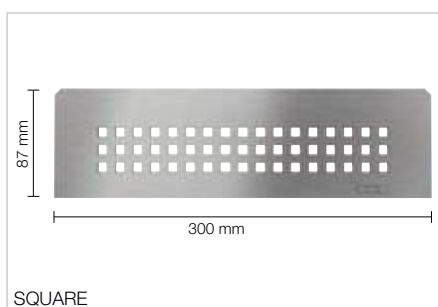
Planchet, design CURVE, roestvast staal geborsteld

| Art.-No.    | € / St. | P (st.) |
|-------------|---------|---------|
| SN S1 D6 EB | 109,46  | 10      |

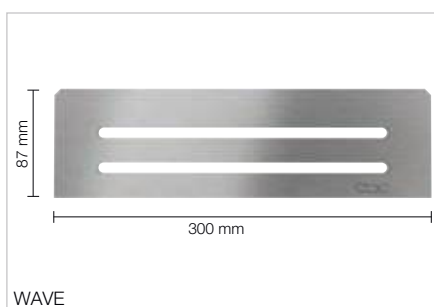
#### Schlüter®-SHELF-N-S1-EB

Planchet, design PURE, roestvast staal geborsteld

| Art.-No.    | € / St. | P (st.) |
|-------------|---------|---------|
| SN S1 D7 EB | 117,93  | 10      |



SQUARE



WAVE

#### Schlüter®-SHELF-N-S1-EB

Planchet, design SQUARE, roestvast staal geborsteld

| Art.-No.    | € / St. | P (st.) |
|-------------|---------|---------|
| SN S1 D3 EB | 117,93  | 10      |

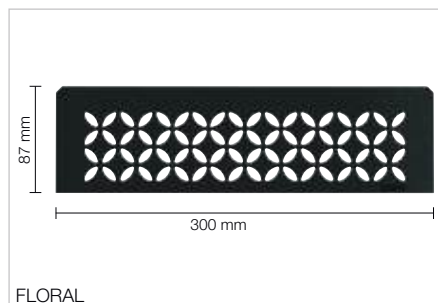
#### Schlüter®-SHELF-N-S1-EB

Planchet, design WAVE, roestvast staal geborsteld

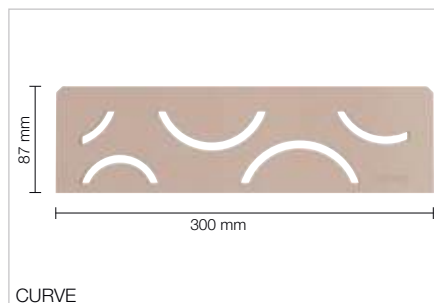
| Art.-No.     | € / St. | P (st.) |
|--------------|---------|---------|
| SN S1 D10 EB | 117,93  | 10      |

#### Opmerking:

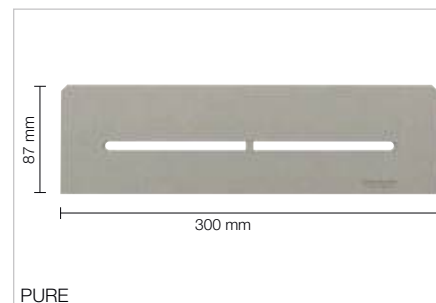
De Schlüter-KERDI-BOARD-N nissen vindt u op pagina's 272-277.



FLORAL



CURVE



PURE

### Schlüter®-SHELF-N-S1-AC

Planchet, design FLORAL, alu. met kleurcoating

| Art.-No.      | € / St. | P (st.) |
|---------------|---------|---------|
| SN S1 D5 ...* | 82,62   | 10      |

### Schlüter®-SHELF-N-S1-AC

Planchet, design CURVE, alu. met kleurcoating

| Art.-No.      | € / St. | P (st.) |
|---------------|---------|---------|
| SN S1 D6 ...* | 71,01   | 10      |

### Schlüter®-SHELF-N-S1-AC

Planchet, design PURE, alu. met kleurcoating

| Art.-No.      | € / St. | P (st.) |
|---------------|---------|---------|
| SN S1 D7 ...* | 84,79   | 10      |

### Schlüter®-SHELF-N-S1-TS

Planchet, design FLORAL, alu. structuur-gecoat

| Art.-No.       | € / St. | P (st.) |
|----------------|---------|---------|
| SN S1 D5 ...** | 90,37   | 10      |

### Schlüter®-SHELF-N-S1-TS

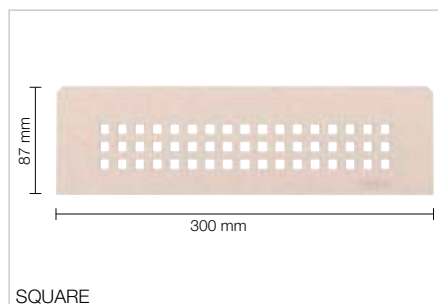
Planchet, design CURVE, alu. structuur-gecoat

| Art.-No.       | € / St. | P (st.) |
|----------------|---------|---------|
| SN S1 D6 ...** | 77,47   | 10      |

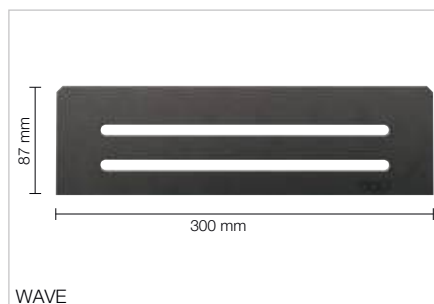
### Schlüter®-SHELF-N-S1-TS

Planchet, design PURE, alu. structuur-gecoat

| Art.-No.       | € / St. | P (st.) |
|----------------|---------|---------|
| SN S1 D7 ...** | 91,17   | 10      |



SQUARE



WAVE

### Schlüter®-SHELF-N-S1-AC

Planchet, design SQUARE, alu. met kleurcoating

| Art.-No.      | € / St. | P (st.) |
|---------------|---------|---------|
| SN S1 D3 ...* | 84,79   | 10      |

### Schlüter®-SHELF-N-S1-AC

Planchet, design WAVE, alu. met kleurcoating

| Art.-No.       | € / St. | P (st.) |
|----------------|---------|---------|
| SN S1 D10 ...* | 84,79   | 10      |

### Schlüter®-SHELF-N-S1-TS

Planchet, design SQUARE, alu. structuur-gecoat

| Art.-No.       | € / St. | P (st.) |
|----------------|---------|---------|
| SN S1 D3 ...** | 91,17   | 10      |

### Schlüter®-SHELF-N-S1-TS

Planchet, design WAVE, alu. structuur-gecoat

| Art.-No.        | € / St. | P (st.) |
|-----------------|---------|---------|
| SN S1 D10 ...** | 91,17   | 10      |



Art.-No. aanvullen met oppervlak/kleur (bijv. SN S1 D10 TSC)

\* Oppervlakken/kleuren: MBW - MGS

\*\* Oppervlakken/kleuren:

TSBG - TSC - TSDA - TSG - TSI - TSOB - TSSG

## Beschikbare oppervlakken | Kleuren



Een overzicht van de oppervlakken en kleuren vindt u vanaf pagina 342.



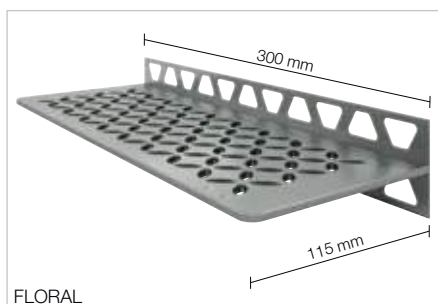
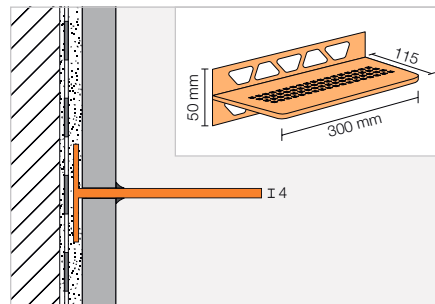
## Planchet

### Schlüter®-SHELF-W

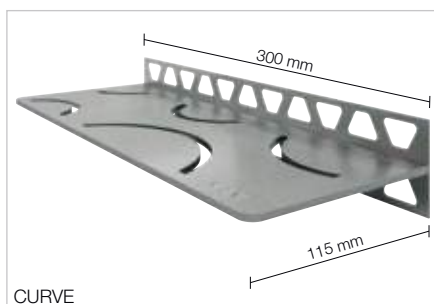


Schlüter-SHELF-W zijn rechthoekige planchetten voor vlakke wandoppervlakken. Ze zijn verkrijgbaar in de designvarianten FLORAL, CURVE, PURE, SQUARE en WAVE, en in de materiaalkwaliteit roestvast staal geborsteld of aluminium met hoogwaardige TRENDLINE poedercoating. Ze worden met de trapeziumvormig geperforeerde bevestigingsvlakken tijdens de betegeling in het tegelbeeld geïntegreerd. Ze zijn geschikt als planchetten voor de doucheruimte, maar worden bijv. ook toegepast in tegelwanden van keukens.

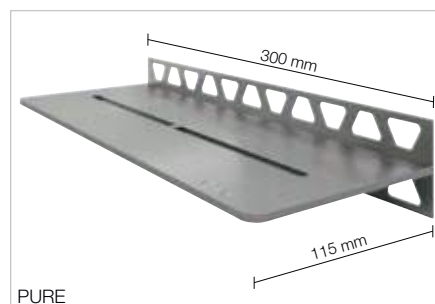
(Productdatablad 17.1)



FLORAL



CURVE



PURE

#### Schlüter®-SHELF-W-S1-EB

Planchet, design FLORAL, roestvast staal geborsteld

| Art.-No.    | € / St. | P (st.) |
|-------------|---------|---------|
| SW S1 D5 EB | 159,23  | 10      |

#### Schlüter®-SHELF-W-S1-EB

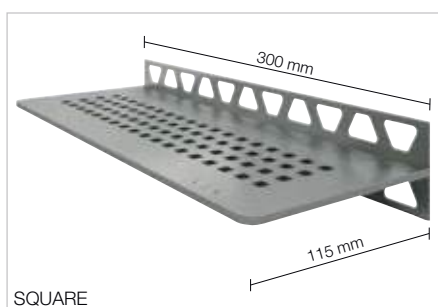
Planchet, design CURVE, roestvast staal geborsteld

| Art.-No.    | € / St. | P (st.) |
|-------------|---------|---------|
| SW S1 D6 EB | 145,96  | 10      |

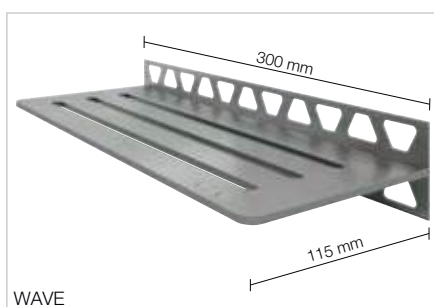
#### Schlüter®-SHELF-W-S1-EB

Planchet, design PURE, roestvast staal geborsteld

| Art.-No.    | € / St. | P (st.) |
|-------------|---------|---------|
| SW S1 D7 EB | 163,82  | 10      |



SQUARE



WAVE

#### Schlüter®-SHELF-W-S1-EB

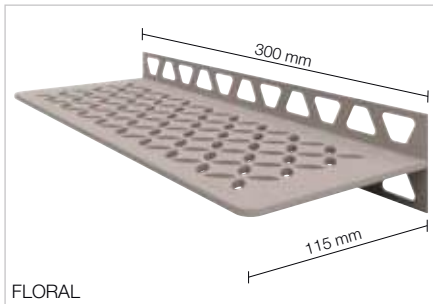
Planchet, design SQUARE, roestvast staal geborsteld

| Art.-No.    | € / St. | P (st.) |
|-------------|---------|---------|
| SW S1 D3 EB | 163,82  | 10      |

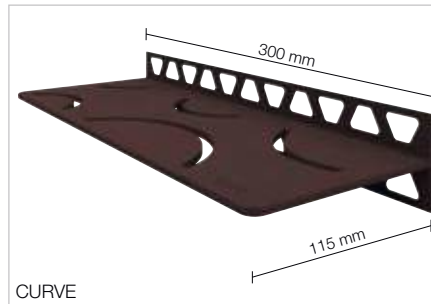
#### Schlüter®-SHELF-W-S1-EB

Planchet, design WAVE, roestvast staal geborsteld

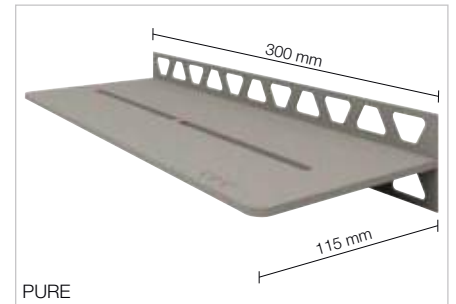
| Art.-No.     | € / St. | P (st.) |
|--------------|---------|---------|
| SW S1 D10 EB | 163,82  | 10      |



FLORAL



CURVE



PURE

### Schlüter®-SHELF-W-S1-AC

Planchet, design FLORAL, alu. met kleurcoating

| Art.-No.      | € / St.       | P (st.) |
|---------------|---------------|---------|
| SW S1 D5 ...* | <b>119,42</b> | 10      |

### Schlüter®-SHELF-W-S1-AC

Planchet, design CURVE, alu. met kleurcoating

| Art.-No.      | € / St.       | P (st.) |
|---------------|---------------|---------|
| SW S1 D6 ...* | <b>106,50</b> | 10      |

### Schlüter®-SHELF-W-S1-AC

Planchet, design PURE, alu. met kleurcoating

| Art.-No.      | € / St.       | P (st.) |
|---------------|---------------|---------|
| SW S1 D7 ...* | <b>121,14</b> | 10      |

### Schlüter®-SHELF-W-S1-TS

Planchet, design FLORAL, alu. structuur-gecoat

| Art.-No.       | € / St.       | P (st.) |
|----------------|---------------|---------|
| SW S1 D5 ...** | <b>127,17</b> | 10      |

### Schlüter®-SHELF-W-S1-TS

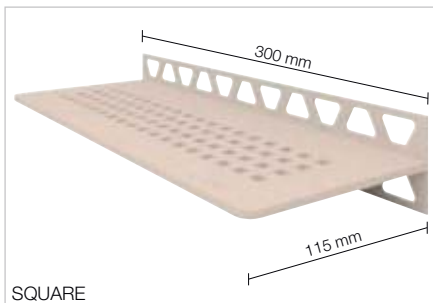
Planchet, design CURVE, alu. structuur-gecoat

| Art.-No.       | € / St.       | P (st.) |
|----------------|---------------|---------|
| SW S1 D6 ...** | <b>114,27</b> | 10      |

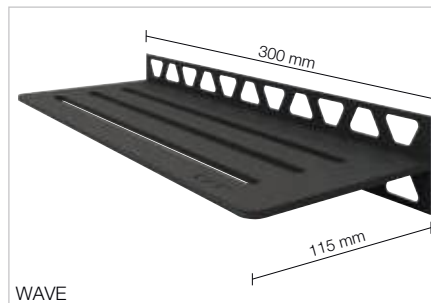
### Schlüter®-SHELF-W-S1-TS

Planchet, design PURE, alu. structuur-gecoat

| Art.-No.       | € / St.       | P (st.) |
|----------------|---------------|---------|
| SW S1 D7 ...** | <b>127,51</b> | 10      |



SQUARE



WAVE

### Schlüter®-SHELF-W-S1-AC

Planchet, design SQUARE, alu. met kleurcoating

| Art.-No.      | € / St.       | P (st.) |
|---------------|---------------|---------|
| SW S1 D3 ...* | <b>121,14</b> | 10      |

### Schlüter®-SHELF-W-S1-AC

Planchet, design WAVE, alu. met kleurcoating

| Art.-No.       | € / St.       | P (st.) |
|----------------|---------------|---------|
| SW S1 D10 ...* | <b>121,14</b> | 10      |

### Schlüter®-SHELF-W-S1-TS

Planchet, design SQUARE, alu. structuur-gecoat

| Art.-No.       | € / St.       | P (st.) |
|----------------|---------------|---------|
| SW S1 D3 ...** | <b>127,51</b> | 10      |

### Schlüter®-SHELF-W-S1-TS

Planchet, design WAVE, alu. structuur-gecoat

| Art.-No.        | € / St.       | P (st.) |
|-----------------|---------------|---------|
| SW S1 D10 ...** | <b>127,51</b> | 10      |



Art.-No. aanvullen met oppervlak/kleur (bijv. SW S1 D10 TSC)

\* Oppervlakken/kleuren: MBW - MGS

\*\* Oppervlakken/kleuren:

TSBG - TSC - TSDA - TSG - TSI - TSOB - TSSG

## Beschikbare oppervlakken | Kleuren



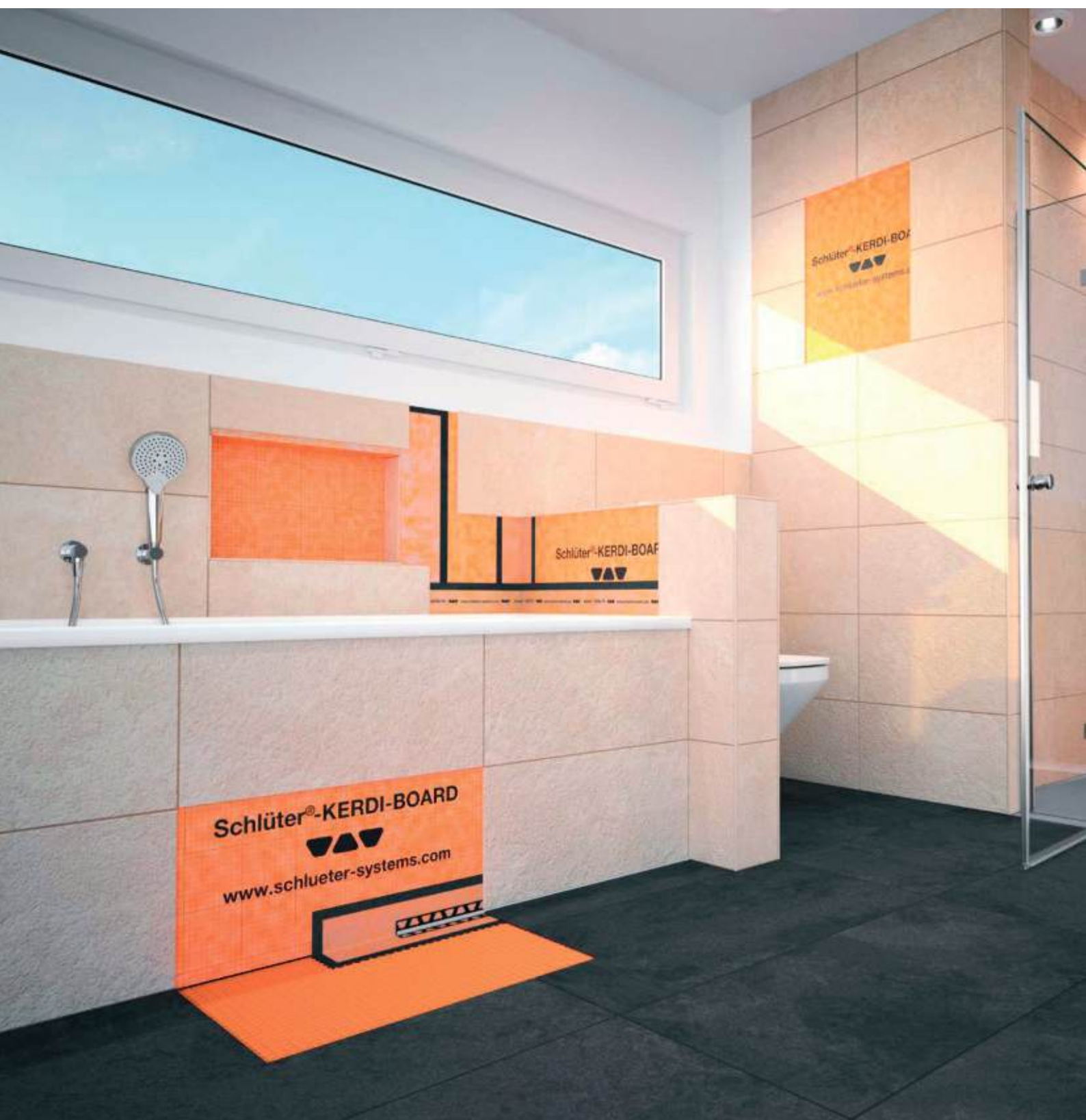
Een overzicht van de oppervlakken en kleuren vindt u vanaf pagina 342.



# Schlüter®-KERDI-BOARD

## Veel meer dan een bouwplaat

Eenvoudig te verwerken, gemakkelijk te transporteren en waterdicht. Wie met Schlüter-KERDI-BOARD heeft gewerkt, wil niet meer zonder deze voordelen. Ons assortiment heeft voor elke opdracht een passende oplossing: van buisbekledingen tot voorgevormde, verlichte wandnissen. U kunt uw creativiteit de vrije loop laten.





## Constructieplaten

|                         |     |
|-------------------------|-----|
| Schlüter®-KERDI-BOARD   | 267 |
| Schlüter®-KERDI-BOARD-V | 278 |
| Schlüter®-KERDI-BOARD-E | 278 |
| Schlüter®-KERDI-BOARD-U | 278 |

## Wastafelset

|                               |     |
|-------------------------------|-----|
| Schlüter®-KERDI-BOARD-WW      | 269 |
| Schlüter®-WASHBASINPROFILE-WW | 269 |
| Schlüter®-KERDI-BOARD-WS      | 270 |
| Schlüter®-WASHBASINPROFILE-WS | 270 |
| Schlüter®-KERDI-BOARD-WDP     | 271 |
| Schlüter®-KERDI-BOARD-AB      | 271 |

## Nissensets

|                              |         |
|------------------------------|---------|
| Schlüter®-KERDI-BOARD-N      | 272–273 |
| Schlüter®-KERDI-BOARD-NLT    | 274–275 |
| Schlüter®-KERDI-BOARD-NLT-BR | 276–277 |

## Afdichting

|                        |     |
|------------------------|-----|
| Schlüter®-KERDI-KEBA   | 279 |
| Schlüter®-KERDI-COLL-L | 279 |

## Profielen

|                          |     |
|--------------------------|-----|
| Schlüter®-KERDI-BOARD-ZW | 280 |
| Schlüter®-KERDI-BOARD-ZC | 280 |
| Schlüter®-KERDI-BOARD-ZA | 281 |
| Schlüter®-KERDI-BOARD-ZB | 281 |

## Toebehoren

|                           |     |
|---------------------------|-----|
| Schlüter®-KERDI-BOARD-ZSD | 282 |
| Schlüter®-KERDI-BOARD-ZT  | 282 |
| Schlüter®-KERDI-BOARD-ZS  | 282 |
| Schlüter®-KERDI-BOARD-ZDK | 283 |
| Schlüter®-KERDI-BOARD-ZSA | 283 |
| Schlüter®-KERDI-BOARD-ZFP | 283 |

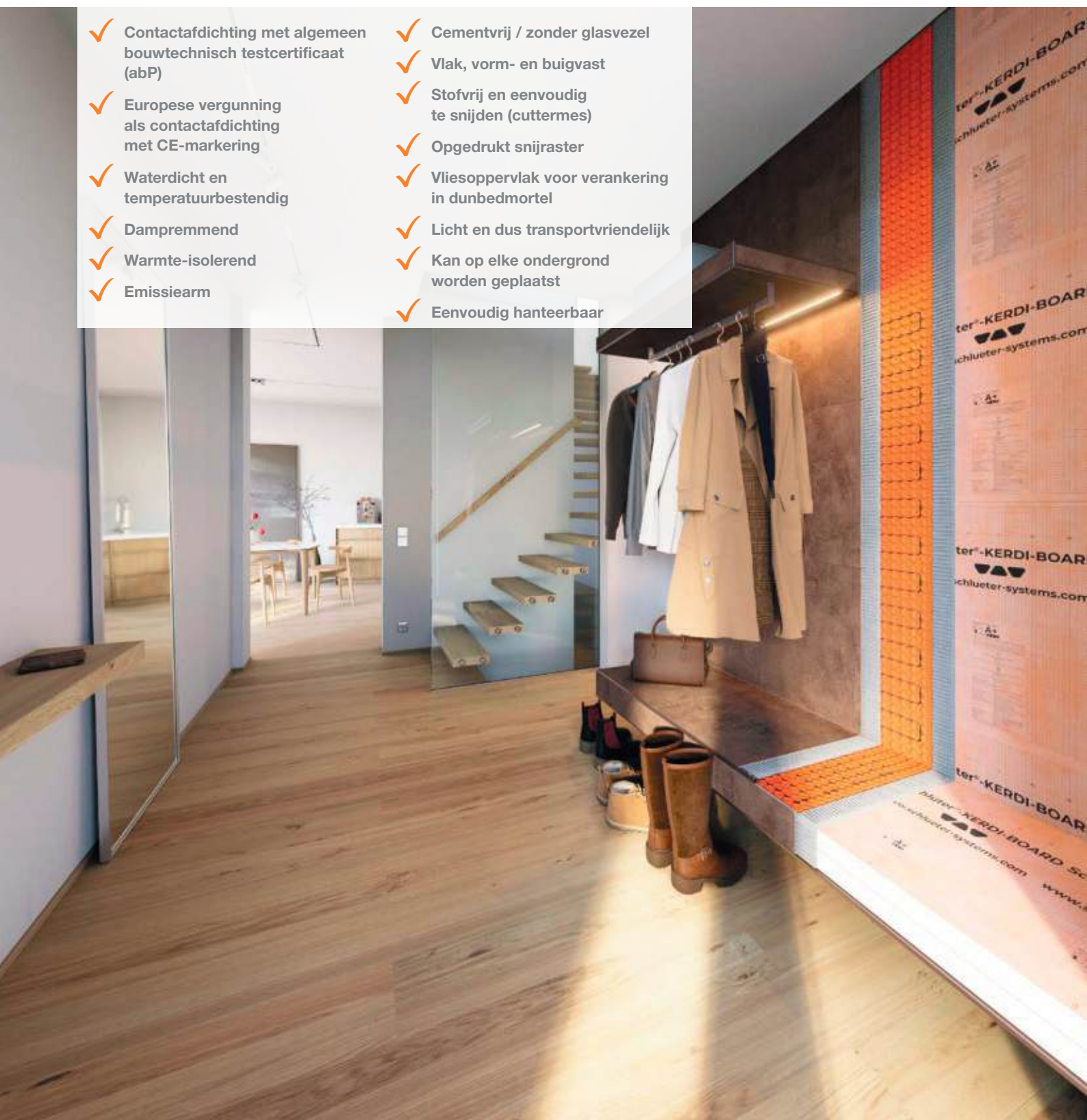


# Schlüter®-KERDI-BOARD

## De universele plaatsingsondergrond voor tegels

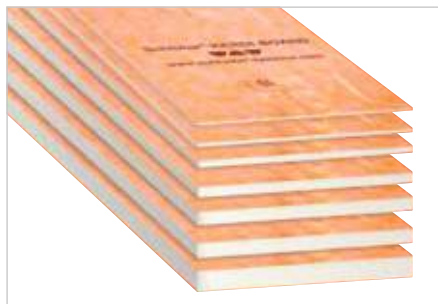
Veel ondergronden zijn bij nieuwbouw en renovatie niet altijd geschikt om te betegelen, in het bijzonder ondergronden in vochtbelaste ruimtes. Er zijn dan vaak extra werkzaamheden en afdichtingsmaatregelen nodig. Met Schlüter-KERDI-BOARD is het heel eenvoudig om een ondergrond te vervaardigen die klaar is om betegeld te worden – bij ruwbouw, op metall-stud of houtwerk, en gemengde of oude ondergronden bij renovaties. Maar dat is nog niet alles: het materiaal is ook uitstekend geschikt voor scheidingswanden, plateaus en bekledingen.

- ✓ Contactafdichting met algemeen bouwtechnisch testcertificaat (abP)
- ✓ Europese vergunning als contactafdichting met CE-markering
- ✓ Waterdicht en temperatuurbestendig
- ✓ Dampremmend
- ✓ Warmte-isolerend
- ✓ Emissiearm
- ✓ Cementvrij / zonder glasvezel
- ✓ Vlak, vorm- en buigvast
- ✓ Stofvrij en eenvoudig te snijden (cuttermes)
- ✓ Opgedrukt snijraster
- ✓ Vliesoppervlak voor verankering in dunbedmortel
- ✓ Licht en dus transportvriendelijk
- ✓ Kan op elke ondergrond worden geplaatst
- ✓ Eenvoudig hanteerbaar

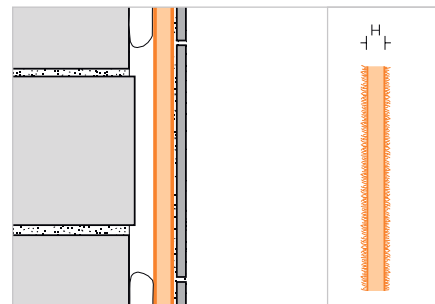


## Constructieplaat

## Schlüter®-KERDI-BOARD



Schlüter-KERDI-BOARD is de universele plaatsingsondergrond voor tegels op gelijk welk type wand, ook direct als contactafdichting. Schlüter-KERDI-BOARD is ook geschikt als ondergrond voor afstrijkbare bekledingsmaterialen of pleisterlagen. (Productdatablad 12.1)



## Schlüter®-KERDI-BOARD

Constructieplaat

| H (mm) | 62,5 x 260 cm = 1,62 m <sup>2</sup><br>Art.-No. | € / m <sup>2</sup> | PL (st.) |
|--------|---|--------------------|----------|
| 5      | KB 5 625 2600                                   | 41,75              | 140      |
| 9      | KB 9 625 2600                                   | 43,79              | 80       |
| 12,5   | KB 12 625 2600                                  | 45,86              | 60       |
| 19     | KB 19 625 2600                                  | 47,88              | 42       |
| 28     | KB 28 625 2600                                  | 53,23              | 28       |
| 38     | KB 38 625 2600                                  | 59,77              | 21       |
| 50     | KB 50 625 2600                                  | 67,13              | 15       |

## Schlüter®-KERDI-BOARD

Gemengde palletten

| Samenstelling  | L = 2,60 m<br>Art.-No. | € / St. |
|--|------------------------|---------|
| 20 x 5 mm, 20 x 9 mm, 20 x 12,5 mm, 12 x 19 mm                                 | KB 2600 MP1            | 5188,52 |
| 8 x 28 mm, 6 x 38 mm, 6 x 50 mm  | KB 2600 MP2            | 1923,14 |
| 10 x 5 mm, 10 x 9 mm, 10 x 12,5 mm, 6 x 19 mm, 4 x 28 mm, 3 x 38 mm, 3 x 50 mm | KB 2600 MP3            | 3555,83 |

## Schlüter®-KERDI-BOARD

Constructieplaat

| H (mm) | 62,5 x 125 cm = 0,78 m <sup>2</sup><br>Art.-No. | € / m <sup>2</sup> | PL (st.) |
|--------|---|--------------------|----------|
| 5      | KB 5 625 1250                                   | 41,75              | 140      |
| 9      | KB 9 625 1250                                   | 43,79              | 80       |
| 12,5   | KB 12 625 1250                                  | 45,86              | 60       |
| 19     | KB 19 625 1250                                  | 47,88              | 42       |
| 28     | KB 28 625 1250                                  | 53,23              | 28       |
| 38     | KB 38 625 1250                                  | 59,77              | 21       |
| 50     | KB 50 625 1250                                  | 67,13              | 15       |

## Schlüter®-KERDI-BOARD

Gemengde palletten

| Samenstelling  | L = 1,25 m<br>Art.-No. | € / St. |
|--|------------------------|---------|
| 20 x 5 mm, 20 x 9 mm, 20 x 12,5 mm, 12 x 19 mm                                 | KB 1250 MP1            | 2498,18 |
| 8 x 28 mm, 6 x 38 mm, 6 x 50 mm  | KB 1250 MP2            | 925,95  |
| 10 x 5 mm, 10 x 9 mm, 10 x 12,5 mm, 6 x 19 mm, 4 x 28 mm, 3 x 38 mm, 3 x 50 mm | KB 1250 MP3            | 1712,09 |

## Afmetingen en verpakkingsgegevens Schlüter®-KERDI-BOARD

| Plaatdikte                   | 5 mm                   | 9 mm                 | 12,5 mm              | 19 mm                | 28 mm                | 38 mm                | 50 mm                |
|------------------------------|------------------------|----------------------|----------------------|----------------------|----------------------|----------------------|----------------------|
| Verpakkingseenheid (VPE)     | 10 platen              | 10 platen            | 10 platen            | 6 platen             | 4 platen             | 3 platen             | 3 platen             |
| Inhoud pallet                | 14 VPE<br>(140 platen) | 8 VPE<br>(80 platen) | 6 VPE<br>(60 platen) | 7 VPE<br>(42 platen) | 7 VPE<br>(28 platen) | 7 VPE<br>(21 platen) | 5 VPE<br>(15 platen) |
| <b>Formaat 125 x 62,5 cm</b> |                        |                      |                      |                      |                      |                      |                      |
| m <sup>2</sup> / pallet      | 109,20                 | 62,40                | 46,80                | 32,76                | 21,84                | 16,38                | 11,70                |
| kg / plaat                   | 0,843                  | 0,961                | 1,055                | 1,167                | 1,399                | 1,657                | 1,966                |
| <b>Formaat 260 x 62,5 cm</b> |                        |                      |                      |                      |                      |                      |                      |
| m <sup>2</sup> / pallet      | 226,80                 | 129,60               | 97,20                | 68,04                | 45,36                | 34,02                | 24,30                |
| kg / plaat                   | 1,755                  | 1,998                | 2,194                | 2,428                | 2,911                | 3,447                | 4,090                |



# Schlüter®-KERDI-BOARD-W

## Individuele, flexibele wastafeloplossing voor wand- en opbouwkransen

Een bijzondere blikvanger in de badkamer is de wastafel. Zwevend of staand, in een nis of prominent in de ruimte geplaatst, met wand- of opbouwkraan: met Schlüter-KERDI-BOARD-W kunnen al deze uitvoeringen perfect worden gerealiseerd.

De set kan naar wens op maat worden gesneden en betegeld. De set bevat alle voor de montage vereiste onderdelen: het wastafelement van KERDI-BOARD, passende vormstukken, een afvoeradapter met een 1¼" buitendraad voor in de handel verkrijgbare sifons en een KERDI-FIX patroon met afdichtingslijm. De afvoeradapter is voorzien van een vast verlijmde, flexibele KERDI-afdichtingsmanchet, die een betrouwbare aansluiting aan het element en aan de wand garandeert.

Voor de zwevende montage zijn optioneel wandconsoles verkrijgbaar. Ook afschotprofielen en bij de bekleding van de wastafel passende KERDI-LINE-VARIO afwateringsprofielen kunnen apart worden besteld. De afwateringsprofielen kunnen naar wens worden ingekort en zijn in hoogte verstelbaar. Ze worden af fabriek met twee passende eindkapjes geleverd (zie productdatablad 8.10).

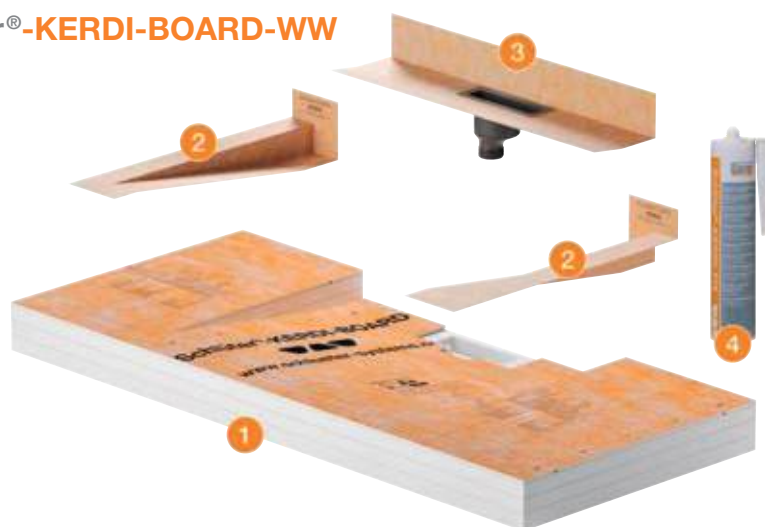
*(Productdatablad 12.3)*

- ✓ **Voorgevormd wastafelement van KERDI-BOARD**
- ✓ **Afdichtingscomponenten bij de set inbegrepen**
- ✓ **Klaar om te worden betegeld**
- ✓ **Licht gewicht – eenvoudig te verwerken**
- ✓ **Individueel op maat te snijden**
- ✓ **1¼" buitendraad voor in de handel verkrijgbare sifons**
- ✓ **Geschikt voor KERDI-LINE-VARIO profielen**
- ✓ **Zwevende montage met optionele wandconsoles mogelijk**
- ✓ **Nieuw afwateringsprofiel in design INCOVE**
- ✓ **Nieuwe afschotprofielen WASHBASINPROFIE**



## Wastafelset voor wandkranen

## Schlüter®-KERDI-BOARD-WW



## De set bevat:

- 1 Voorgevormde wastafel van KERDI-BOARD
- 2 KERDI-KERS vormstukken (rechts en links)
- 3 Afvoeradapter met 1 1/4" buitendraad incl. KERDI-afdichtingsmanchet
- 4 KERDI-FIX patroon

## Schlüter®-KERDI-BOARD-WW

Voorgevormde wastafel voor wandkranen, incl. hoekafdichting en afvoeradapter met vast verlijmde afdichtingsmanchet

| B x H x T (mm)  | Art.-No.            | € / Set       | PL (Set) |
|-----------------|---------------------|---------------|----------|
| 1170 x 82 x 520 | KB W 520 1170 WL V1 | <b>516,77</b> | 10       |

## Opmerking:

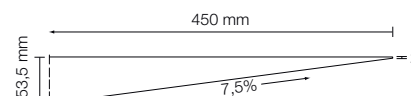
De wastafel KERDI-BOARD-WW kan alleen met onze afwateringsprofielen KERDI-LINE-VARIO COVE of WAVE worden gecombineerd.

## Afschotprofiel

## Schlüter®-WASHBASINPROFILE-WW



Schlüter-WASHBASINPROFILE-WW zijn afschotprofielen met 7,5 % helling voor de bekleding van de zijkanten van de wastafel KERDI-BOARD-WW. De profielen zijn verkrijgbaar in roestvast staal geborsteld of in aluminium met kleur- of structuurcoating. (Productdatablad 12.3)



## Schlüter®-WASHBASINPROFILE-WW

Afschotprofiel (L = 45 cm) rechts en links; passend bij wastafel KERDI-BOARD-WW

| Materiaal                      | Art.-No.        | € / Set       | P (set) |
|--------------------------------|-----------------|---------------|---------|
| Roestvast staal V4A geborsteld | KB WAS R1 EB    | <b>100,32</b> | 10      |
| Alu. met kleurcoating          | KB WAS R1 ...*  | <b>81,48</b>  | 10      |
| Alu. structuur-gecoat          | KB WAS R1 ...** | <b>86,57</b>  | 10      |

## Art.-No. aanvullen met oppervlak/kleur (bijv. KB WAS R1 MGS)

\* Oppervlakken/kleuren: MBW - MGS

\*\* Oppervlakken/kleuren:

TSBG - TSC - TSDA - TSG - TSI - TSOB - TSSG

## Beschikbare oppervlakken | Kleuren



Een overzicht van de oppervlakken en kleuren vindt u vanaf pagina 342.



## Wastafelset voor opbouwkransen

### Schlüter®-KERDI-BOARD-WS



#### De set bevat:

- 1 Voorgevormde wastafel van KERDI-BOARD incl. geïntegreerde versterkingsplaat voor bevestiging van een opbouwkraan
- 2 KERDI-KERS vormstukken (rechts en links)
- 3 Afvoeradapter met 1¼" buitendraad incl. KERDI-afdichtingsmanchet
- 4 KERDI-FIX patroon

### Schlüter®-KERDI-BOARD-WS



Voorgevormde wastafel voor opbouwkransen, incl. hoekafdichting en afvoeradapter met vast verlijmd afdichtingsmanchet

| B x H x T (mm)  | Art.-No.            | € / Set       | PL (Set) |
|-----------------|---------------------|---------------|----------|
| 1170 x 85 x 550 | KB W 550 1170 SL V1 | <b>549,99</b> | 10       |

#### Opmerking:

De wastafel KERDI-BOARD-WS kan alleen met onze afwateringsprofielen KERDI-LINE-VARIO COVE en WAVE of het nieuwe afwateringsprofiel KERDI-BOARD-WDP (zie volgende pagina) worden gecombineerd.

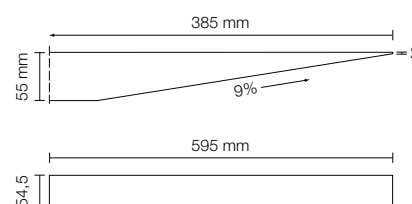
## Afschotprofiel

### Schlüter®-WASHBASINPROFILE-WS



Schlüter-WASHBASINPROFILE-WS zijn afschotprofielen met 9% helling voor de bekleding van de zijkanten van de wastafel KERDI-BOARD-WS. Voor het afdekken van het zichtbare gedeelte aan het afwateringsprofiel bevat de set ook een decoratief profiel. De profielen zijn verkrijgbaar in roestvast staal geborsteld of in aluminium met kleur- of structuurcoating.

(Productdatablad 12.3)



### Schlüter®-WASHBASINPROFILE-WS



Afschotprofiel (L = 38 cm) rechts en links incl. decoratief profiel (59,5 cm); passend bij wastafel KERDI-BOARD-WS

| Materiaal                      | Art.-No.        | € / Set       | P (set) |
|--------------------------------|-----------------|---------------|---------|
| Roestvast staal V4A geborsteld | KB WAS R2 EB    | <b>157,87</b> | 10      |
| Alu. met kleurcoating          | KB WAS R2 ...*  | <b>132,41</b> | 10      |
| Alu. structuur-gecoat          | KB WAS R2 ...** | <b>137,50</b> | 10      |

Art.-No. aanvullen met oppervlak/kleur (bijv. KB WAS R2 MGS)

\* Oppervlakken/kleuren: MBW - MGS

\*\* Oppervlakken/kleuren:

TSBG - TSC - TSDA - TSG - TSI - TSOB - TSSG

## Beschikbare oppervlakken | Kleuren



Een overzicht van de oppervlakken en kleuren vindt u vanaf pagina 342.

## Afwateringsprofiel

## Schlüter®-KERDI-BOARD-WDP



Schlüter-KERDI-BOARD-WDP is een afwateringsprofiel dat als schaduwvoeg in de wastafel KERDI-BOARD-WS wordt geïntegreerd. Het is gemaakt van geborsteld roestvast staal V4A. Het water wordt via het midden afgevoerd door een afvoersleuf met een lengte van 140 mm. Het afwateringsprofiel wordt met twee eindkapjes geleverd. (Productdatablad 12.3)



## Schlüter®-KERDI-BOARD-WDP



Afwateringsprofiel, design INCOVE (D 15);  
passend bij wastafel KERDI-BOARD-WS

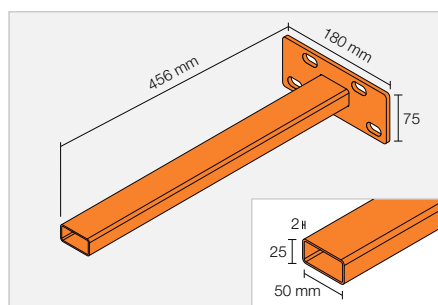
| Materiaal                      | Art.-No.        | € / Set | P (set) |
|--------------------------------|-----------------|---------|---------|
| Roestvast staal V4A geborsteld | KB WL D15 EB 60 | 198,61  | 10      |

**Opmerking:**

Het afwateringsprofiel KERDI-BOARD-WDP kan niet in combinatie met de afschotprofielen WASHBASINPROFILE-WS en -WW worden toegepast.

## Consoleset

## Schlüter®-KERDI-BOARD-AB



## Schlüter®-KERDI-BOARD-AB

Consoleset incl. bevestigingsmateriaal

| B x H x T (mm) | Art.-No.    | € / Set | PL (Set) |
|----------------|-------------|---------|----------|
| 450 x 75 x 180 | KB W AB 450 | 133,63  | 10       |

**De set bevat:**

- 2 consoles
- bevestigingsmateriaal
- boorsjabloon

Schlüter-KERDI-BOARD-AB is een optioneel verkrijgbare consoleset voor de zwevende bevestiging van de wastafel aan de wand. (Productdatablad 12.3)



## Nissenset

### Schlüter®-KERDI-BOARD-N

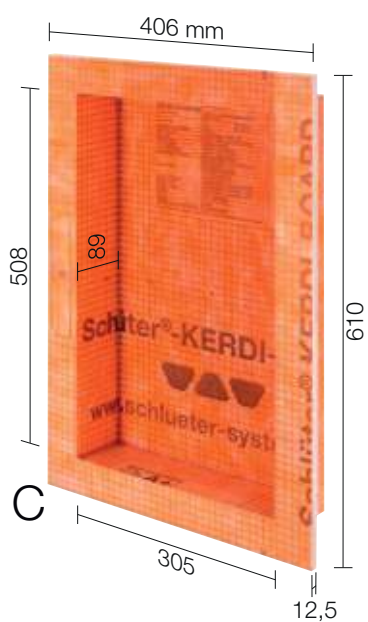
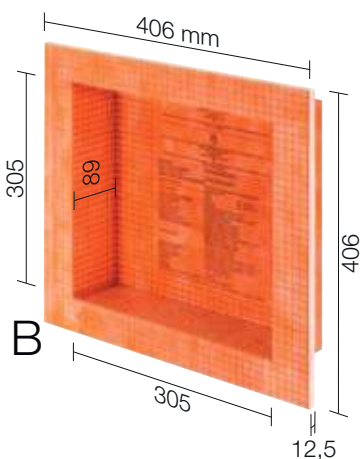
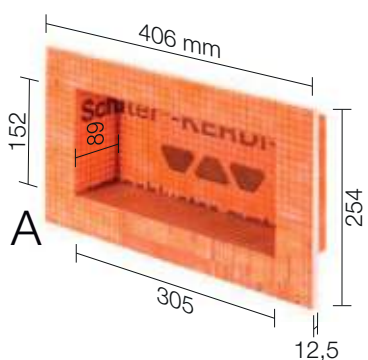


Schlüter-KERDI-BOARD-N zijn voorgevormde inbouwelementen van KERDI-BOARD voor de inrichting van nissen en plateaus voor allerlei soorten wanden. In combinatie met het Schlüter-KERDI afdichtingsysteem kunnen deze nissen als contactafdichting worden uitgevoerd. De nissen zijn verkrijgbaar in verschillende afmetingen. De rechthoekige nissen kunnen naar wens verticaal of horizontaal worden ingebouwd. Alle nissen worden met een voorgevormde manchet geleverd.

(Productdatablad 12.2)

**i**  
De planchetten Schlüter-SHELF-N vindt u op pagina 260 en 261.

### Afmetingen van de nissen





### Schlüter®-KERDI-BOARD-N

Nissenset

|   | B x H x T (mm) | Plaatdikte (mm) | Art.-No.           | € / St.       | PL (st.) |
|---|----------------|-----------------|--------------------|---------------|----------|
| A | 305 x 152 x 89 | 12,5            | KB 12 N 305 152 A  | <b>66,88</b>  | 20       |
| B | 305 x 305 x 89 | 12,5            | KB 12 N 305 305 A  | <b>83,68</b>  | 20       |
| C | 305 x 508 x 89 | 12,5            | KB 12 N 305 508 A1 | <b>123,72</b> | 20       |
| D | 305 x 711 x 89 | 12,5            | KB 12 N 305 711 A1 | <b>167,39</b> | 20       |

**Opmerking:** De afmetingen verwijzen naar de binnenmaten.

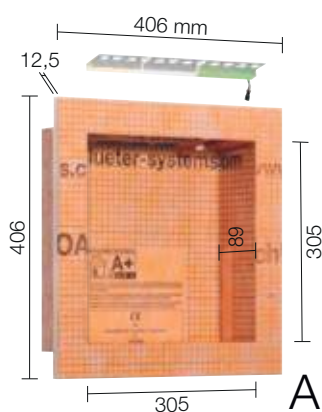


# Schlüter®-KERDI-BOARD-NLT

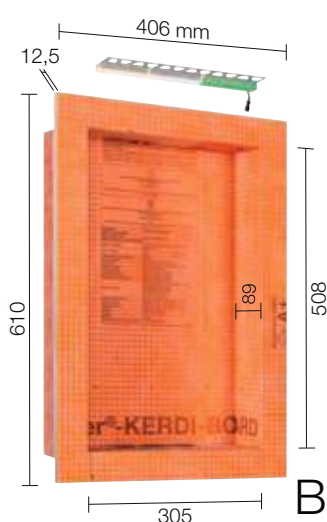
Schlüter-KERDI-BOARD-NLT zijn voorgevormde inbouwelementen van KERDI-BOARD met LIPROTEC LED-techniek in Plug & Play-uitvoering. Deze dienen voor de constructie van verlichte nissen en opbergruimtes voor allerlei soorten wanden. In combinatie met het Schlüter-KERDI afdichtingssysteem kunnen deze nissen als contactafdichting worden uitgevoerd. De nissen zijn verkrijgbaar in verschillende afmetingen en lichtkleuren. De rechthoekige nissen zijn naar keuze verkrijgbaar met verlichting aan de lange of smalle zijde. De LED-module kan naar keuze aan de voorkant, in het midden of tegen de betegelde achterwand worden gepositioneerd. Bij de levering horen alle voor de inbouw benodigde componenten, zoals de kabelverbinding, de voeding en de afdichtingsmanchet.

(Productdatablad 12.2)

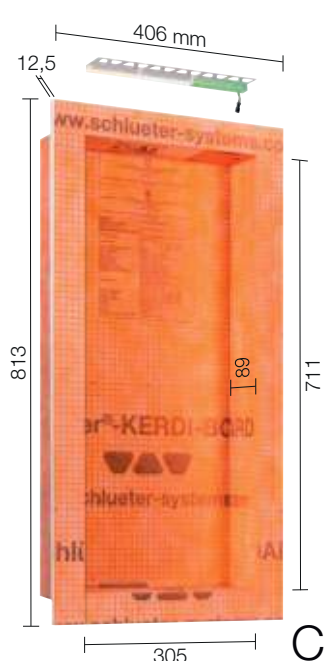
## Afmetingen van de nissen



A

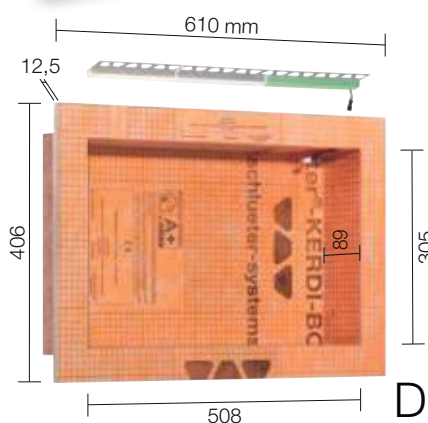


B

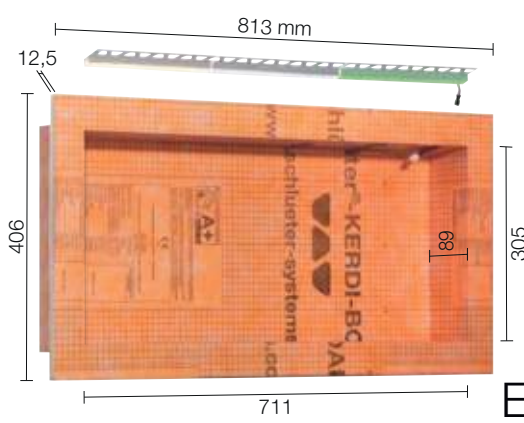


C

**i**  
De planchetten Schlüter-SHELF-N vindt u op pagina 260 en 261.



D



E

## De set bevat:



**i**  
Bluetooth-sturing  
afzonderlijk verkrijgbaar!

## Nissenset met LED-verlichting



## Schlüter®-KERDI-BOARD-NLT

Nissenset met LED-verlichting

| B x H x T (mm) | B x H x T (mm) | Lichttype    | Art.-No.          | € / Set       | PL (Set) |
|----------------|----------------|--------------|-------------------|---------------|----------|
| A              | 305 x 305 x 89 | warm wit     | KB 12 NL TP1 AE 1 | <b>300,46</b> | 20       |
|                |                | neutraal wit | KB 12 NL TP1 AE 2 | <b>300,46</b> | 20       |
|                |                | RGB + wit    | KB 12 NL TP1 AE 9 | <b>338,01</b> | 20       |
| B              | 305 x 508 x 89 | warm wit     | KB 12 NL TP2 AE 1 | <b>338,01</b> | 20       |
|                |                | neutraal wit | KB 12 NL TP2 AE 2 | <b>338,01</b> | 20       |
|                |                | RGB + wit    | KB 12 NL TP2 AE 9 | <b>375,57</b> | 20       |
| C              | 305 x 711 x 89 | warm wit     | KB 12 NL TP3 AE 1 | <b>388,10</b> | 20       |
|                |                | neutraal wit | KB 12 NL TP3 AE 2 | <b>388,10</b> | 20       |
|                |                | RGB + wit    | KB 12 NL TP3 AE 9 | <b>425,65</b> | 20       |
| D              | 508 x 305 x 89 | warm wit     | KB 12 NL TP4 AE 1 | <b>369,32</b> | 20       |
|                |                | neutraal wit | KB 12 NL TP4 AE 2 | <b>369,32</b> | 20       |
|                |                | RGB + wit    | KB 12 NL TP4 AE 9 | <b>388,10</b> | 20       |
| E              | 711 x 305 x 89 | warm wit     | KB 12 NL TP5 AE 1 | <b>450,68</b> | 20       |
|                |                | neutraal wit | KB 12 NL TP5 AE 2 | <b>450,68</b> | 20       |
|                |                | RGB + wit    | KB 12 NL TP5 AE 9 | <b>469,47</b> | 20       |

**Opmerking:** De afmetingen verwijzen naar de binnenmaten. De eerste lengtegegevens staan voor de verlichte lengte.

## Technische gegevens van de inbegrepen LED-module

| NLT 9 (RGB+W)             |                   | NLT 1 (warm wit)          |                   | NLT 2 (neutraal wit)      |                   |
|---------------------------|-------------------|---------------------------|-------------------|---------------------------|-------------------|
| Afmetingen LED (B x H)    | 17 x 14,5 mm      | Afmetingen LED (B x H)    | 12 x 10,5 mm      | Afmetingen LED (B x H)    | 12 x 10,5 mm      |
| Nominaal vermogen (W/m)   | zie prijslijst LT | Nominaal vermogen (W/m)   | zie prijslijst LT | Nominaal vermogen (W/m)   | zie prijslijst LT |
| EEK                       | F                 | EEK                       | E                 | EEK                       | E                 |
| Aantal LED's (St./m)      | 112               | Aantal LED's (St./m)      | 280               | Aantal LED's (St./m)      | 280               |
| Kleurtemperatuur (kelvin) | RGB+W (2700 K)    | Kleurtemperatuur (kelvin) | 3000 K            | Kleurtemperatuur (kelvin) | 4900 K            |
| CRI                       | 90                | CRI                       | 92                | CRI                       | 92                |
| Inbegrepen voeding        | 230 V, 15 W       | Inbegrepen voeding        | 230 V, 15 W       | Inbegrepen voeding        | 230 V, 15 W       |
| Inbegrepen kabel          | 3 m               | Inbegrepen kabel          | 3 m               | Inbegrepen kabel          | 3 m               |





## Schlüter®-KERDI-BOARD-NLT-BR

Schlüter-KERDI-BOARD-NLT-BR zijn voorgevormde inbouwelementen van KERDI-BOARD met LIPROTEC LED-techniek RGB+W in Plug & Play-uitvoering en met Bluetooth-/radiogestuurde receiver. De verschillende lichtkleuren kunnen naar keuze via de meegeleverde afstandsbediening of via Bluetooth-compatibele smartphones of tablets worden geselecteerd. Deze dienen voor de constructie van verlichte nissen en opbergruimtes voor allerlei soorten wanden. In combinatie met het Schlüter-KERDI afdichtingssysteem kunnen deze nissen als contactafdichting worden uitgevoerd.

De nissen zijn verkrijgbaar in verschillende afmetingen. De rechthoekige nissen zijn naar keuze verkrijgbaar met verlichting aan de lange of smalle zijde. De LED-module RGB+W kan naar keuze aan de voorkant, in het midden of tegen de betegelde achterwand worden gepositioneerd. Bij de levering horen alle voor de inbouw benodigde componenten, zoals de kabelverbinding, de voeding, de Bluetooth-sturing LIPROTEC-PEBR 4 en de afdichtingsmanchet. Voor een optimaal bedieningscomfort raden wij aan ter plaatse een lichtschakelaar van de klant te installeren.

(Productdatablad 12.2)



i  
De planchetten Schlüter-SHELF-N vindt u op pagina 260 en 261.

De set bevat:



**Opmerking:** De verschillende nis-varianten vindt u op pagina 274.

i  
Inclusief Bluetooth-receiver met afstandsbediening!

## Nissenset met LED-verlichting en sturing

## Schlüter®-KERDI-BOARD-NLT-BR

Nissenset met LED-verlichting en sturing

|   | B x H x T (mm) | Lichttype | Art.-No.             | € / Set       | PL (Set) |
|---|----------------|-----------|----------------------|---------------|----------|
| A | 305 x 305 x 89 | RGB + wit | KB 12 NL TP1 AE 9 BR | <b>557,11</b> | 20       |
| B | 305 x 508 x 89 | RGB + wit | KB 12 NL TP2 AE 9 BR | <b>594,66</b> | 20       |
| C | 305 x 711 x 89 | RGB + wit | KB 12 NL TP3 AE 9 BR | <b>644,74</b> | 20       |
| D | 508 x 305 x 89 | RGB + wit | KB 12 NL TP4 AE 9 BR | <b>607,18</b> | 20       |
| E | 711 x 305 x 89 | RGB + wit | KB 12 NL TP5 AE 9 BR | <b>688,54</b> | 20       |

**Opmerking:** De afmetingen verwijzen naar de binnenmaten. De eerste lengtegegevens staan voor de verlichte lengte.

## Technische gegevens van de inbegrepen LED-module

## NLT 9 BR (RGB+W)

|                         |                   |
|-------------------------|-------------------|
| Afmetingen LED (B x H)  | 17 x 14,5 mm      |
| Nominaal vermogen (W/m) | zie prijslijst LT |
| EEK                     | F                 |
| Aantal LED's (St./m)    | 112               |
| CRI                     | 90                |
| Inbegrepen voeding      | 230 V, 15 W       |
| Inbegrepen kabel        | 3 m               |

## Technische gegevens van de inbegrepen Bluetooth-sturing

## LT PEBR 4

|  |                         |
|--|-------------------------|
| Transmissie receiver/<br>afstandsbediening   | Bluetooth/radiogestuurd |
| Max. reikwijdte                              | 10 m                    |
| Ingangsspanning                              | 24 V, DC                |
| Max. totale belasting in<br>LIPROTEC-systeem | 90 W                    |
| Max. lengte LED-strips                       | 6 m                     |
| Beschermingsgraad                            | IP 63                   |
| Omgevingstemperatuur                         | -20 °C tot +50 °C       |

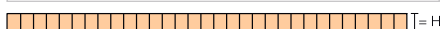


Gedetailleerde technische informatie over Schlüter-KERDI-BOARD-NLT / -NLT-BR vindt u in onze Schlüter-LIPROTEC beeldprijslijst.



## Constructieplaat

### Schlüter®-KERDI-BOARD-V



Schlüter-KERDI-BOARD-V is een verticaal ingezaagde constructieplaat om afgeronde plaatsingsondergronden te realiseren.  
(Productdatablad 12.1)

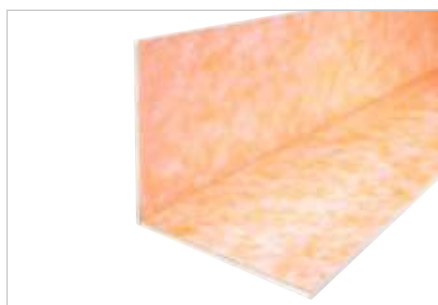
#### Schlüter®-KERDI-BOARD-V

Verticaal ingezaagde constructieplaat

| H (mm) | 62,5 x 260 cm = 1,62 m <sup>2</sup><br>Art.-No. | € / m <sup>2</sup> | PL (st.) |
|--------|---|--------------------|----------|
| 9      | KB 9 625 2600 V                                 | <b>55,58</b>       | 80       |
| 12,5   | KB 12 625 2600 V                                | <b>57,64</b>       | 60       |
| 19     | KB 19 625 2600 V                                | <b>59,68</b>       | 42       |
| 28     | KB 28 625 2600 V                                | <b>64,99</b>       | 28       |
| 38     | KB 38 625 2600 V                                | <b>71,54</b>       | 21       |
| 50     | KB 50 625 2600 V                                | <b>78,92</b>       | 15       |

## Hoেকেlement

### Schlüter®-KERDI-BOARD-E



Schlüter-KERDI-BOARD-E is een hoেকেlement om hoeken te vormen en buisbekledingen te realiseren.  
(Productdatablad 12.1)

#### Schlüter®-KERDI-BOARD-E

Hoেকেlement 260 x 62,5 cm

| H (mm) | 31 x 31 cm<br>Art.-No. | € / St.       | PL (st.) |
|--------|------------------------|---------------|----------|
| 12,5   | KB 12 625 2600 E       | <b>101,04</b> | 60       |
| 19     | KB 19 625 2600 E       | <b>104,31</b> | 42       |
| 28     | KB 28 625 2600 E       | <b>112,97</b> | 28       |

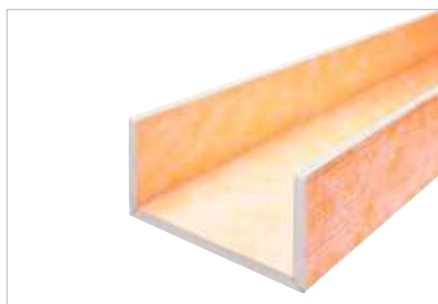
#### Schlüter®-KERDI-BOARD-E/-U

Gemengde verpakking buiskasten / hoেকেlementen

| Samenstelling  | L = 2,60 m<br>Art.-No. | € / St.       |
|--|------------------------|---------------|
| 2 x KB 19 625 2600 E<br>2 x KB 19 625 2600 U 20<br>2 x KB 19 625 2600 U 30 | KB RK 2600 MP1         | <b>732,25</b> |

## Buisbekleding

### Schlüter®-KERDI-BOARD-U



Schlüter-KERDI-BOARD-U is een U-element om buisbekledingen te realiseren.  
(Productdatablad 12.1)

#### Schlüter®-KERDI-BOARD-U

U-element 260 x 62,5 cm

| H (mm) | 21 x 20 x 21 cm<br>Art.-No. | € / St.       | PL (st.) |
|--------|-----------------------------|---------------|----------|
| 19     | KB 19 625 2600 U 20         | <b>130,93</b> | 42       |

#### Schlüter®-KERDI-BOARD-U

U-element 260 x 62,5 cm

| H (mm) | 16 x 30 x 16 cm<br>Art.-No. | € / St.       | PL (st.) |
|--------|-----------------------------|---------------|----------|
| 19     | KB 19 625 2600 U 30         | <b>130,93</b> | 42       |

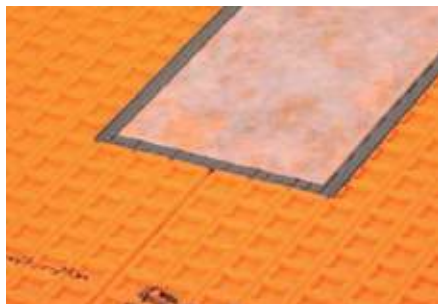
#### Schlüter®-KERDI-BOARD-E/-U

Gemengde verpakking buiskasten / hoেকেlementen

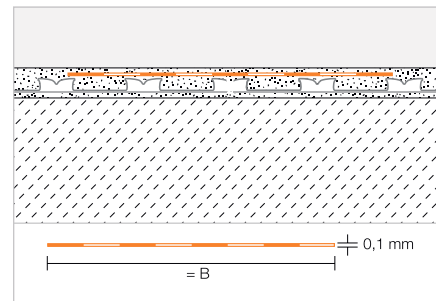
| Samenstelling  | L = 2,60 m<br>Art.-No. | € / St.       |
|--|------------------------|---------------|
| 2 x KB 19 625 2600 E<br>2 x KB 19 625 2600 U 20<br>2 x KB 19 625 2600 U 30 | KB RK 2600 MP1         | <b>732,25</b> |

## Afdichtingsband

## Schlüter®-KERDI-KEBA



Schlüter-KERDI-KEBA zijn afdichtingsbanden uit polyethyleen, die aan beide zijden zijn voorzien van een vliesweefsel, voor het afdichten van stootnaden en wand-vloeraansluitingen. (Productdatablad 8.1)



## Schlüter®-KERDI-KEBA

Polyethyleen op rol

| B (mm) | Rol = 30 m<br>Art.-No. | € / m       | PL (rol) |
|--------|------------------------|-------------|----------|
| 85     | KEBA 100 / 85          | <b>2,73</b> | 336      |
| 125    | KEBA 100 / 125         | <b>4,09</b> | 210      |
| 150    | KEBA 100 / 150         | <b>4,33</b> | 210      |
| 185    | KEBA 100 / 185         | <b>5,61</b> | 168      |
| 250    | KEBA 100 / 250         | <b>7,26</b> | 126      |

## Schlüter®-KERDI-KEBA/5M

Polyethyleen op rol

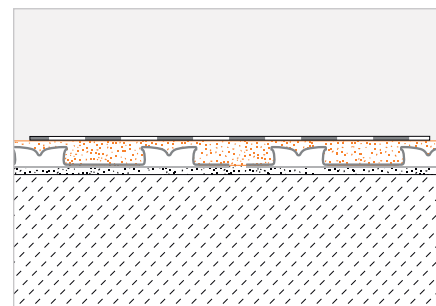
| B (mm) | Rol = 5 m<br>Art.-No. | € / m       | P (rol) |
|--------|-----------------------|-------------|---------|
| 85     | KEBA 100 / 85 / 5M    | <b>3,84</b> | 10      |
| 125    | KEBA 100 / 125 / 5M   | <b>5,11</b> | 10      |
| 150    | KEBA 100 / 150 / 5M   | <b>5,49</b> | 10      |
| 185    | KEBA 100 / 185 / 5M   | <b>6,68</b> | 10      |
| 250    | KEBA 100 / 250 / 5M   | <b>8,38</b> | 10      |

## Afdichtingslijm

## Schlüter®-KERDI-COLL-L



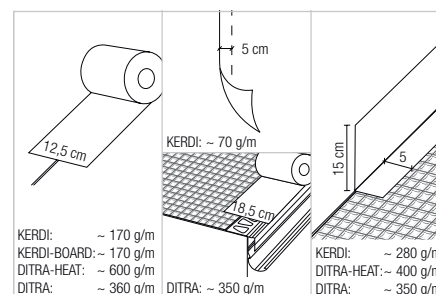
Schlüter-KERDI-COLL-L is een tweecomponenten afdichtingslijm op basis van een oplosmiddelvrije acrylaatdispersie en een reactief poeder van het cementtype. Deze lijm is bedoeld om overlappingen van Schlüter-KERDI-stroken vast te lijmen en af te dichten. Voorts kan met KERDI-COLL-L de naad- en aansluitverbinding gebeuren van de afdichtingsbanden Schlüter-KERDI-KEBA op contactafdichtingen met geschikte producten van Schlüter-Systems, alsook op Schlüter-BARA-randprofielen. (Productdatablad 8.4)



## Schlüter®-KERDI-COLL-L

2-componenten afdichtingslijm

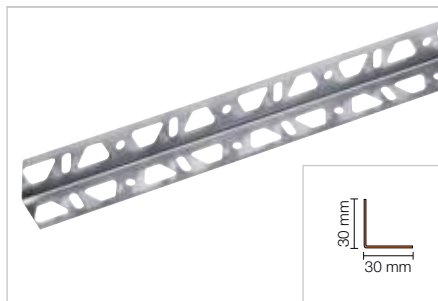
| Gewicht (kg) | Art.-No.         | € / kg       | PL (st.) |
|--------------|------------------|--------------|----------|
| 1,85         | KERDI-COLL-L 185 | <b>15,46</b> | 110      |
| 4,25         | KERDI-COLL-L     | <b>12,73</b> | 72       |





## Hoekprofiel

### Schlüter®-KERDI-BOARD-ZW



Schlüter-KERDI-BOARD-ZW is een hoekprofiel uit roestvast staal 30 x 30 mm met twee geperforeerde vlakken. Het wordt gebruikt om constructies met Schlüter-KERDI-BOARD constructieplaten te fixeren en te stabiliseren. De bevestiging kan naar keuze met schroeven of in dunbedmortel gebeuren. (Productdatablad 12.1)

#### Schlüter®-KERDI-BOARD-ZW

Hoekprofiel uit roestvast staal 30 x 30 mm

| L (cm) | Art.-No.      | € / St. | KV (st.) |
|--------|---------------|---------|----------|
| 15     | KB ZW 30 E/15 | 1,71    | 120      |

#### Schlüter®-KERDI-BOARD-ZW

Hoekprofiel uit roestvast staal 30 x 30 mm

| L (cm) | Art.-No.   | € / m | KV (st.) |
|--------|------------|-------|----------|
| 250    | KB ZW 30 E | 10,19 | 120      |

## U-profiel | Hoekstuk | Naadafdekking

### Schlüter®-KERDI-BOARD-ZC



Schlüter-KERDI-BOARD-ZC is een U-profiel uit geborsteld roestvast staal met perforaties in één zijvlak. Het is met name geschikt om keukenwerkbladen, wastafels en dergelijke af te werken. (Productdatablad 12.1)

#### Schlüter®-KERDI-BOARD-ZC

U-profiel, enkelzijdige perforatie, roestvast staal V2A geborsteld

| H (mm) | L = 2,50 m<br>Art.-No. | € / m | KV (st.) |
|--------|------------------------|-------|----------|
| 38     | KB ZC 38 EB            | 24,15 | 40       |
| 50     | KB ZC 50 EB            | 26,39 | 40       |

#### Schlüter®-KERDI-BOARD-ZC/E

U-hoekstuk, enkelzijdige perforatie, roestvast staal V2A geborsteld

| H (mm) | Art.-No.      | € / St. | P (st.) |
|--------|---------------|---------|---------|
| 38     | E/KB ZC 38 EB | 21,73   | 10      |
| 50     | E/KB ZC 50 EB | 21,73   | 10      |



KERDI-BOARD-ZC/E

#### Schlüter®-KERDI-BOARD-Z/V

Buiten-naadafdekking roestvast staal V2A geborsteld

| H (mm) | Art.-No.     | € / St. | P (st.) |
|--------|--------------|---------|---------|
| 38     | V/KB Z 38 EB | 6,87    | 50      |
| 50     | V/KB Z 50 EB | 6,87    | 50      |



KERDI-BOARD-Z/V

#### Schlüter®-KERDI-BOARD-ZI/V

Binnen-naadafdekking roestvast staal V2A geborsteld

| H (mm) | Art.-No.     | € / St. | P (st.) |
|--------|--------------|---------|---------|
| 38     | V/KB ZI 38 E | 4,25    | 50      |
| 50     | V/KB ZI 50 E | 4,25    | 50      |



KERDI-BOARD-ZI/V

## U-profiel | Hoekstuk | Naadafdekking

**Schlüter®-KERDI-BOARD-ZA**

Schlüter-KERDI-BOARD-ZA is een U-profiel uit geborsteld roestvast staal met perforaties in beide zijvlakken. Het is met name geschikt voor de visuele afsluiting van scheidingswanden en plateaus.

(Productdatablad 12.1)

**Schlüter®-KERDI-BOARD-ZA**

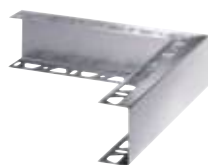
U-profiel, dubbelzijdige perforatie, roestvast staal V2A geborsteld

| H (mm) | L = 2,50 m<br>Art.-No. | € / m        | KV (st.) |
|--------|------------------------|--------------|----------|
| 19     | KB ZA 19 EB            | <b>20,49</b> | 40       |
| 28     | KB ZA 28 EB            | <b>22,13</b> | 40       |
| 38     | KB ZA 38 EB            | <b>24,15</b> | 40       |
| 50     | KB ZA 50 EB            | <b>26,39</b> | 40       |

**Schlüter®-KERDI-BOARD-ZA/E**

U-hoekstuk, dubbelzijdige perforatie, roestvast staal V2A geborsteld

| H (mm) | Art.-No.      | € / St.      | P (st.) |
|--------|---------------|--------------|---------|
| 38     | E/KB ZA 38 EB | <b>21,73</b> | 10      |
| 50     | E/KB ZA 50 EB | <b>21,73</b> | 10      |



KERDI-BOARD-ZA/E

**Schlüter®-KERDI-BOARD-Z/V**

Buiten-naadafdekking roestvast staal V2A geborsteld

| H (mm) | Art.-No.     | € / St.     | P (st.) |
|--------|--------------|-------------|---------|
| 19     | V/KB Z 19 EB | <b>6,87</b> | 50      |
| 28     | V/KB Z 28 EB | <b>6,87</b> | 50      |
| 38     | V/KB Z 38 EB | <b>6,87</b> | 50      |
| 50     | V/KB Z 50 EB | <b>6,87</b> | 50      |



KERDI-BOARD-Z/V

**Schlüter®-KERDI-BOARD-ZI/V**

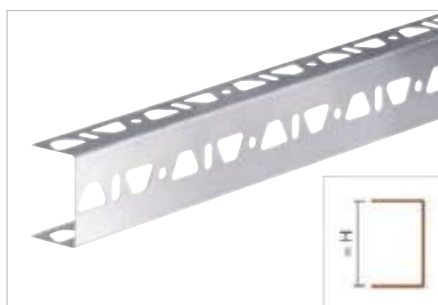
Binnen-naadafdekking roestvast staal V2A geborsteld

| H (mm) | Art.-No.     | € / St.     | P (st.) |
|--------|--------------|-------------|---------|
| 19     | V/KB ZI 19 E | <b>4,25</b> | 50      |
| 28     | V/KB ZI 28 E | <b>4,25</b> | 50      |
| 38     | V/KB ZI 38 E | <b>4,25</b> | 50      |
| 50     | V/KB ZI 50 E | <b>4,25</b> | 50      |



KERDI-BOARD-ZI/V

## U-profiel

**Schlüter®-KERDI-BOARD-ZB**

Schlüter-KERDI-BOARD-ZB is een U-profiel uit roestvast staal met perforaties aan drie zijden. Het wordt gebruikt om constructies met Schlüter-KERDI-BOARD constructieplaten te fixeren en te stabiliseren.

(Productdatablad 12.1)

**Schlüter®-KERDI-BOARD-ZB**

U-profiel, driezijdige perforatie, roestvast staal V2A

| H (mm) | L = 2,50 m<br>Art.-No. | € / m        | KV (st.) |
|--------|------------------------|--------------|----------|
| 19     | KB ZB 19 E             | <b>17,65</b> | 40       |
| 28     | KB ZB 28 E             | <b>19,08</b> | 40       |
| 38     | KB ZB 38 E             | <b>20,62</b> | 40       |
| 50     | KB ZB 50 E             | <b>22,65</b> | 40       |



## Slagpluggen

### Schlüter®-KERDI-BOARD-ZSD



Schlüter-KERDI-BOARD-ZSD zijn slagpluggen uit verzinkt staal of roestvast staal voor de aanvullende mechanische bevestiging van Schlüter-KERDI-BOARD op de ondergrond. (Productdatablad 12.1)

#### Schlüter®-KERDI-BOARD-ZSD

Slagpluggen roestvast staal

| L (cm) | Art.-No.     | € / Pakket | P (pakket) |
|--------|--------------|------------|------------|
| 9      | KB ZSD 90 E  | 29,44      | 10         |
| 11     | KB ZSD 110 E | 33,98      | 10         |

Pakket = 25 st.

#### Schlüter®-KERDI-BOARD-ZSD

Slagpluggen verzinkt

| L (cm) | Art.-No.     | € / Pakket | P (pakket) |
|--------|--------------|------------|------------|
| 9      | KB ZSD 90 Z  | 15,80      | 10         |
| 11     | KB ZSD 110 Z | 18,20      | 10         |

Pakket = 25 st.

## Rozetten

### Schlüter®-KERDI-BOARD-ZT



Schlüter-KERDI-BOARD-ZT zijn rozetten uit verzinkt staal of roestvast staal voor de bevestiging van Schlüter-KERDI-BOARD op houten of metalen constructies. (Productdatablad 12.1)

#### Schlüter®-KERDI-BOARD-ZT

Rozetten roestvast staal Ø 36 mm

| Art.-No.   | € / Pakket | P (pakket) |
|------------|------------|------------|
| KB ZT 36 E | 64,79      | 10         |

Pakket = 100 st.

#### Schlüter®-KERDI-BOARD-ZT

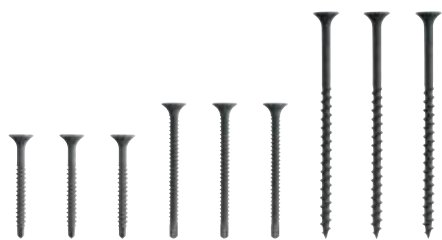
Rozetten verzinkt Ø 36 mm

| Art.-No.   | € / Pakket | P (pakket) |
|------------|------------|------------|
| KB ZT 36 Z | 23,09      | 10         |

Pakket = 100 st.

## Snelbouwschroeven

### Schlüter®-KERDI-BOARD-ZS



Schlüter-KERDI-BOARD-ZS zijn snelbouwschroeven voor de bevestiging van Schlüter-KERDI-BOARD op houten of metalen constructies. (Productdatablad 12.1)

#### Schlüter®-KERDI-BOARD-ZS

35 mm zelftappende snelbouwschroeven

| Art.-No.    | € / Pakket | P (pakket) |
|-------------|------------|------------|
| KB ZS 35 FB | 7,14       | 10         |

Pakket = 200 st.

#### Schlüter®-KERDI-BOARD-ZS

55 mm zelftappende snelbouwschroeven

| Art.-No.    | € / Pakket | P (pakket) |
|-------------|------------|------------|
| KB ZS 55 FB | 4,42       | 10         |

Pakket = 100 st.

#### Schlüter®-KERDI-BOARD-ZS

75 mm snelbouwschroeven met grofdraad

| Art.-No.   | € / Pakket | P (pakket) |
|------------|------------|------------|
| KB ZS 75 G | 6,55       | 10         |

Pakket = 100 st.

## Kleefband

**Schlüter®-KERDI-BOARD-ZDK**

Schlüter-KERDI-BOARD-ZDK is een dubbele kleefband om Schlüter-KERDI-BOARD-platen in stootzones te bevestigen.  
(Productdatablad 12.1)

**Schlüter®-KERDI-BOARD-ZDK**

Dubbelzijdige kleefband

| B (mm) | L = 10 m<br>Art.-No. | € / St.      | P (st.) |
|--------|----------------------|--------------|---------|
| 12     | KB ZDK 12/10M        | <b>9,75</b>  | 10      |
| 19     | KB ZDK 19/10M        | <b>15,12</b> | 10      |
| 30     | KB ZDK 30/10M        | <b>23,77</b> | 10      |

## Naadwapening

**Schlüter®-KERDI-BOARD-ZSA**

Schlüter-KERDI-BOARD-ZSA is een zelfklevende naadwapening voor de voegoverbrugging wanneer afstrijkbare bekledingsmaterialen of pleisterlagen worden aangebracht op Schlüter-KERDI-BOARD.  
(Productdatablad 12.1)

**Schlüter®-KERDI-BOARD-ZSA**

Naadwapening

| 100 mm x 45 m<br>Art.-No. | € / St.      | P (st.) |
|---------------------------|--------------|---------|
| KB ZSA 100/45M            | <b>17,37</b> | 10      |

## Vlak profiel

**Schlüter®-KERDI-BOARD-ZFP**

Schlüter-KERDI-BOARD-ZFP is een vlak profiel uit kunststof, dat ter versterking in het U-profiel wordt gekleefd. Hierdoor hebben de bevestigingsschroeven van hang- en sluitwerk een betere greep.  
(Productdatablad 12.1)

**Schlüter®-KERDI-BOARD-ZFP**

Vlak kunststof profiel

| 35 mm x 2,50 m<br>Art.-No. | € / m       | P (st.) |
|----------------------------|-------------|---------|
| KB ZFP 35                  | <b>4,47</b> | 10      |



# Schlüter-systemen

## Balkon- en terrasconstructies

Het Schlüter-balkonsysteem is een omvangrijk productassortiment van Schlüter-BARA-profielen voor de randafsluiting en Schlüter-BARIN-gootelementen voor de afwatering van tegel- en natuursteenbekleding op balkons en terrassen. Het systeem is afgestemd op het drainage-systeem Schlüter-TROBA, Schlüter-DITRA als ontkoppeling en contactafdichting, en de innovatieve, capillair passieve hechtende drainage Schlüter-DITRA-DRAIN.

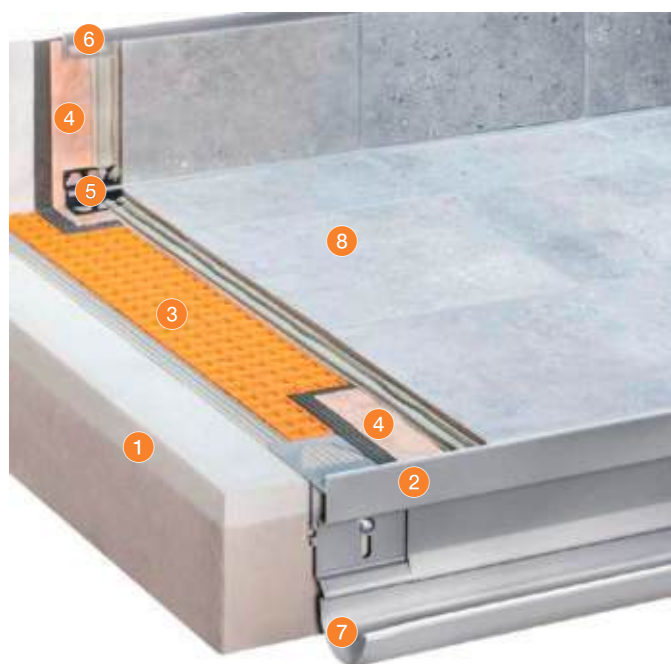


|   |         |                                    |     |
|---|---------|------------------------------------|-----|
| Overzicht balkon- en terrasconstructies |         |                                    |     |
| Opbouwvoorbeelden                       | 286–289 | Schlüter®-BARA-RKK                 | 317 |
| Contactafdichting en ontkoppeling       |         | Schlüter®-BARA-RKKE                | 318 |
| Schlüter®-DITRA                         | 290     | Schlüter®-BARA-RTC                 | 319 |
| Schlüter®-KERDI                         | 291     | Schlüter®-BARA-RK                  | 320 |
| Drainage                                |         | Schlüter®-BARA-RKL                 | 321 |
| Schlüter®-DITRA-DRAIN 4                 | 291     | Schlüter®-BARA-RW                  | 322 |
| Schlüter®-DITRA-DRAIN 8                 | 292     | Schlüter®-BARA-RT                  | 323 |
| Schlüter®-TROBA-PLUS                    | 293     | Schlüter®-BARA-RWL                 | 324 |
| Schlüter®-TROBA-PLUS-G                  | 294     | Plintdraagprofielen                |     |
| Schlüter®-TROBA                         | 295     | Schlüter®-BARA-ESOT                | 324 |
| Noppenplaat                             |         | Randprofielen voor gootbevestiging |     |
| Schlüter®-BEKOTEC-DRAIN                 | 292     | Schlüter®-BARA-RTK                 | 326 |
| Tegeldragers en plaatsingshulp          |         | Schlüter®-BARA-RTKEG               | 327 |
| Schlüter®-TROBA-STELZ                   | 297     | Schlüter®-BARA-RTKE                | 328 |
| Schlüter®-TROBA-LEVEL                   | 298–300 | Schlüter®-BARA-RTP                 | 329 |
| Drainagegoten                           |         | Schlüter®-BARA-RKLT                | 330 |
| Schlüter®-TROBA-LINE-TL                 | 301–302 | Gootsystemen                       |     |
| Schlüter®-TROBA-LINE-TLR                | 302     | Schlüter®-BARIN-SR                 | 331 |
| Schlüter®-TROBA-LINE-TLR-E              | 303     | Schlüter®-BARIN-R                  | 332 |
| Centraal afvoerpunt                     |         | Toebehoren                         |     |
| Schlüter®-KERDI-DRAIN                   | 305–311 | Schlüter®-TROBA-ZFK                | 295 |
| Randprofielen                           |         | Schlüter®-TROBA-LINE-TLK-E         | 304 |
| Schlüter®-BARA-RAK                      | 313     | Schlüter®-TROBA-LINE-TL/H          | 304 |
| Schlüter®-BARA-RAKEG                    | 314     | Schlüter®-KERDI-DRAIN-SP-E         | 304 |
| Schlüter®-BARA-RAKE                     | 315     | Schlüter®-BARA-HV                  | 333 |
| Schlüter®-BARA-RKB                      | 316     | Schlüter®-BARA-RAP                 | 333 |
|   |         | Schlüter®-BARA-RHA                 | 334 |
|   |         | Schlüter®-BARA-FAP                 | 334 |
|   |         | Schlüter®-BARA-STU                 | 335 |



## Balkonconstructie met de contactafdichting Schlüter®-DITRA

Schlüter-DITRA fungeert samen met de betegeling als afdichting. De ontkoppelfunctie van de mat neutraliseert de spanningen tussen ondergrond en bekleding die zich voordoen als gevolg van temperatuurschommelingen. Restvochtigheid uit de ondergrond (bijv. bij een recent gelegde dekvloer) wordt via de dampdruknivelleringsfunctie van DITRA afgevoerd. Stootverbindingen en aansluitingen aan wanden en inbouwelementen worden gerealiseerd met Schlüter-KERDI-KEBA afdichtingsbanden en Schlüter-KERDI-COLL.

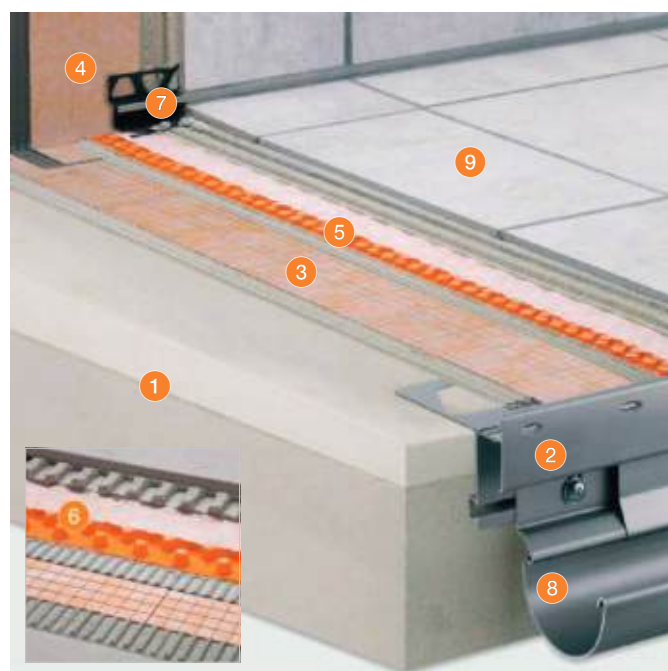


- 1 Ondergrond met afschot
- 2 Schlüter®-BARA-RTKEG
- 3 Schlüter®-DITRA
- 4 Schlüter®-KERDI-KEBA  
Schlüter®-KERDI-COLL
- 5 Schlüter®-DILEX-EKE  
Schlüter®-DILEX-EF  
Schlüter®-DILEX-EK  
Schlüter®-DILEX-RF
- 6 Schlüter®-RONDEC  
Schlüter®-JOLLY  
Schlüter®-QUADEC
- 7 Schlüter®-BARIN
- 8 Keramische tegels of natuursteen

- 
- Pagina 327
- Pagina 157
- Pagina 181
- Pagina 188
- Pagina 130
- Pagina 130
- Pagina 132
- Pagina 131
- Pagina 70
- Pagina 80
- Pagina 61
- Pagina 331
- 

## Balkonconstructie met de hechtende drainage Schlüter®-DITRA-DRAIN

De contactafdichting Schlüter-KERDI beschermt de draagconstructie tegen binnendringend water. Tussen de afdichting en de betegeling wordt de capillair passieve hechtende drainage- en ontkoppelmatschlüter-DITRA-DRAIN gelegd in dunbedmortel. Zo wordt gezorgd voor ventilatie onder het volledige bekledingsoppervlak, zodat de dunbedmortel snel en gelijkmatig droogt/uithardt. Eventuele spanningen worden geneutraliseerd door de ontkoppelfunctie van DITRA-DRAIN.



- 1 Ondergrond met afschot
- 2 Schlüter®-BARA-RTKE
- 3 Schlüter®-KERDI 200
- 4 Schlüter®-KERDI-KEBA  
Schlüter®-KERDI-COLL
- 5 Schlüter®-DITRA-DRAIN 4
- 6 Schlüter®-DITRA-DRAIN 8
- 7 Schlüter®-DILEX-EKE  
Schlüter®-DILEX-EF  
Schlüter®-DILEX-EK  
Schlüter®-DILEX-RF
- 8 Schlüter®-BARIN
- 9 Keramische tegels of natuursteen

- 
- Pagina 328
- Pagina 180
- Pagina 181
- Pagina 188
- Pagina 291
- Pagina 292
- Pagina 130
- Pagina 130
- Pagina 132
- Pagina 131
- Pagina 331
-

## Dunlagige bekledingsconstructie boven afdichting volgens DIN 18531

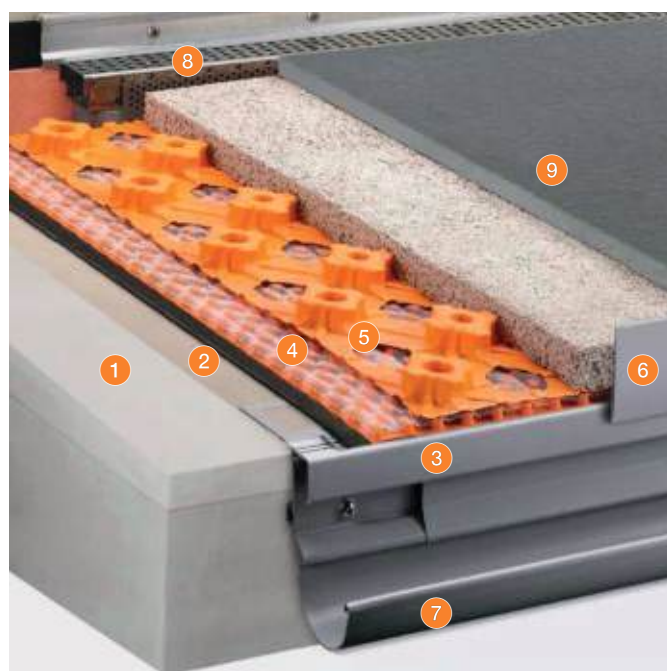
De draagconstructie wordt beschermd door een afdichting volgens DIN 18531. Tussen de afdichting en de dunlagige dekvloer Schlüter-BEKOTEC-DRAIN wordt Schlüter-TROBA-PLUS gelegd voor de drainage. De capillair passieve hechtende drainage- en ontkoppelingsmat Schlüter-DITRA-DRAIN zorgt voor ventilatie onder het volledige bekledingsoppervlak, zodat de dunbedmortel snel en gelijkmatig uithardt.



- |    |   |  |
|----|---|--|
| 1  | Ondergrond met afschot  | -  |
| 2  | Afdichting  | -  |
| 3  | Schlüter®-BARA-RTK  | Pagina 326   |
| 4  | Schlüter®-TROBA-PLUS  | Pagina 293   |
| 5  | Schlüter®-BEKOTEC-DRAIN   | Pagina 292   |
| 6  | Schlüter®-KERDI-KEBA<br>Schlüter®-KERDI-COLL  | Pagina 181<br>Pagina 188                             |
| 7  | Schlüter®-DITRA-DRAIN 4   | Pagina 291   |
| 8  | Schlüter®-DILEX-EKE<br>Schlüter®-DILEX-EF<br>Schlüter®-DILEX-EK<br>Schlüter®-DILEX-RF | Pagina 130<br>Pagina 130<br>Pagina 132<br>Pagina 131 |
| 9  | Schlüter®-RONDEC<br>Schlüter®-JOLLY<br>Schlüter®-QUADEC                               | Pagina 70<br>Pagina 80<br>Pagina 61                  |
| 10 | Schlüter®-BARA-RT   | Pagina 329   |
| 11 | Schlüter®-BARIN   | Pagina 331   |
| 12 | Keramische of fijn verglaasde keramische tegels                                       | -  |

## Dunlagige bekledingsconstructie in het mortelbed boven afdichting volgens DIN 18531

De draagconstructie wordt beschermd tegen binnendringend water door een afdichting volgens DIN 18531. Tussen de afdichting en de lastverdelingslaag (dekvloer) wordt de drainagemat Schlüter-TROBA-PLUS 8G gelegd om het insijpelwater af te voeren. De lastverdelingslaag uit cementmortel of drainagemortel wordt uitgevoerd in het dunlagige Schlüter-BEKOTEC-DRAIN-systeem. De natuursteen wordt nat in nat in het mortelbed gelegd.

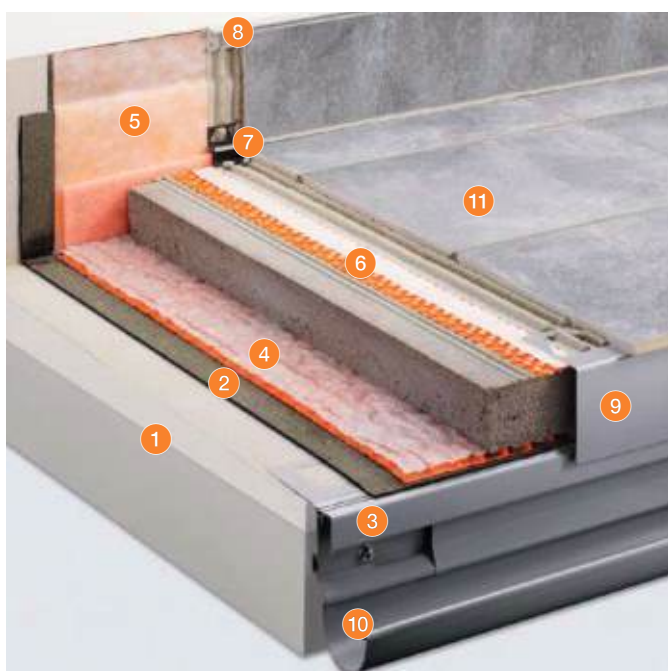


- |   |                                  |            |
|---|----------------------------------|------------|
| 1 | Ondergrond met afschot           | -          |
| 2 | Afdichting                       | -          |
| 3 | Schlüter®-BARA-RTK               | Pagina 326 |
| 4 | Schlüter®-TROBA-PLUS 8G          | Pagina 294 |
| 5 | Schlüter®-BEKOTEC-DRAIN          | Pagina 292 |
| 6 | Schlüter®-BARA-RT                | Pagina 323 |
| 7 | Schlüter®-BARIN                  | Pagina 331 |
| 8 | Schlüter®-TROBA-LINE-TL          | Pagina 301 |
| 9 | Keramische tegels of natuursteen | -          |



## Bekledingsconstructie boven afdichting volgens DIN 18531

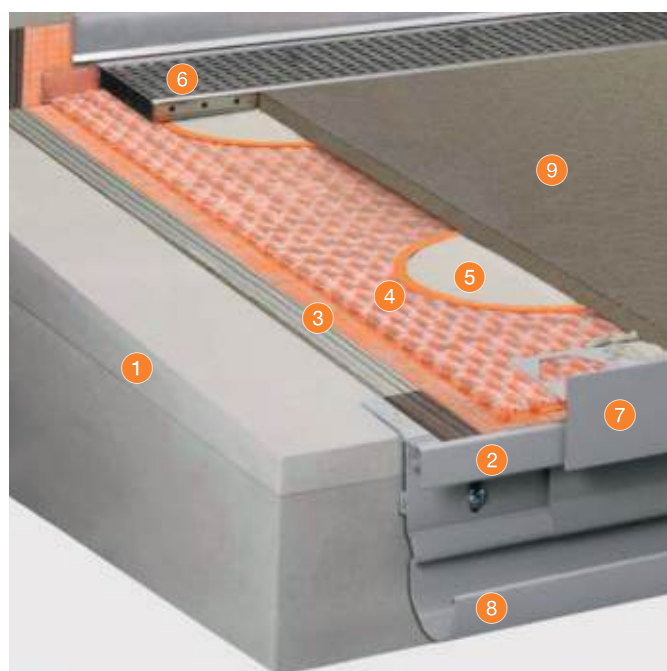
De draagconstructie wordt beschermd door een afdichting volgens DIN 18531. Tussen de afdichting en de dekvloer wordt Schlüter-TROBA-PLUS gelegd voor de drainage. De capillair passieve hech- tende drainage- en ontkoppelingsmat Schlüter-DITRA-DRAIN zorgt voor ventilatie onder het volledige bekledingsoppervlak, zodat de dunbedmortel snel en gelijkmatig uithardt.



- |    |   |  |
|----|---|--|
| 1  | Ondergrond met afschot  | -  |
| 2  | Afdichting  | -  |
| 3  | Schlüter®-BARA-RTK  | Pagina 326   |
| 4  | Schlüter®-TROBA-PLUS  | Pagina 293   |
| 5  | Schlüter®-KERDI-KEBA<br>Schlüter®-KERDI-COLL  | Pagina 181<br>Pagina 188                             |
| 6  | Schlüter®-DITRA-DRAIN 4<br>Schlüter®-DITRA-DRAIN 8                                    | Pagina 291<br>Pagina 292                             |
| 7  | Schlüter®-DILEX-EKE<br>Schlüter®-DILEX-EF<br>Schlüter®-DILEX-EK<br>Schlüter®-DILEX-RF | Pagina 130<br>Pagina 130<br>Pagina 132<br>Pagina 131 |
| 8  | Schlüter®-RONDEC<br>Schlüter®-JOLLY<br>Schlüter®-QUADEC                               | Pagina 70<br>Pagina 80<br>Pagina 61                  |
| 9  | Schlüter®-BARA-RW   | Pagina 322   |
| 10 | Schlüter®-BARIN   | Pagina 331   |
| 11 | Keramische tegels of natuursteen  | -  |

## Losse plaatsing op Schlüter®-TROBA-PLUS 8G

De drukvaste oppervlakedrainage Schlüter-TROBA-PLUS 8G vormt de draagkrachtige laag voor zelfdragende plaalementen en garandeert een snelle afvoer van het water dat binnendringt door de open voegen van de plaalementen via het met Schlüter-KERDI 200 gerealiseerde afdichtingsvlak. Schlüter-TROBA-STELZ-DR dienen als bekistingsringen, om gelijkmatige draagpunten uit dunbedmortel voor zelfdragende plaalementen te maken. De bekistingsringen kunnen na het aanbrengen van de dunbedmortel weer weggenomen en opnieuw gebruikt worden.



- |   |                          |            |
|---|--------------------------|------------|
| 1 | Ondergrond met afschot   | -          |
| 2 | Schlüter®-BARA-RTK       | Pagina 326 |
| 3 | Schlüter®-KERDI 200      | Pagina 180 |
| 4 | Schlüter®-TROBA-PLUS 8G  | Pagina 294 |
| 5 | Schlüter®-TROBA-STELZ-DR | Pagina 297 |
| 6 | Schlüter®-TROBA-LINE-TL  | Pagina 301 |
| 7 | Schlüter®-BARA-RT        | Pagina 323 |
| 8 | Schlüter®-BARIN          | Pagina 331 |
| 9 | Plaalementen             | -          |

## Bekledingsconstructie op tegel dragers

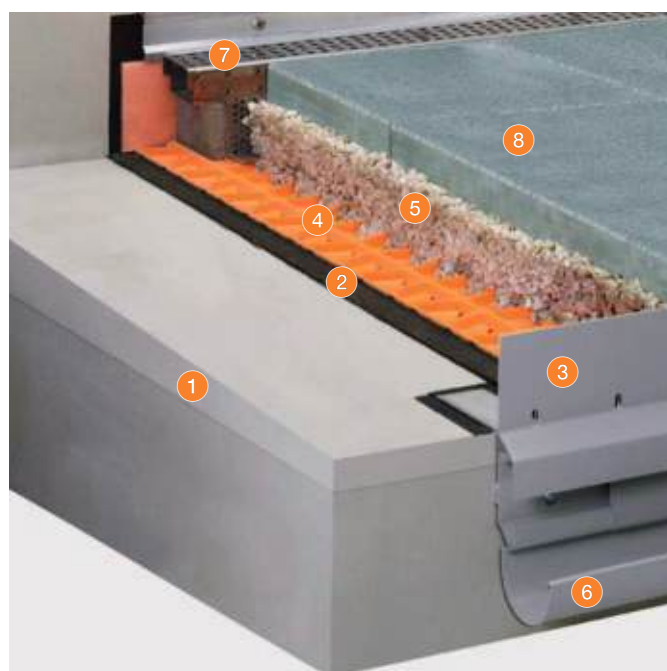
Met de variabel combineerbare Schlüter-TROBA-LEVEL tegel dragers wordt het gehele oppervlak uit zelfdragende grootformaat plaalementen op hoogte geplaatst. Afhankelijk van de bouwsituatie kan het oppervlak qua niveau en helling nauwkeurig worden afgesteld. De opbouw staat garant voor een snelle afvoer van het water dat door de open voegen binnendringt.



- |    |  |                                     |
|----|--|-------------------------------------|
| 1  | Ondergrond met afschot   | -                                   |
| 2  | Afdichting, eventueel hierover oppervlaktedrainage<br>Schlüter®-TROBA-PLUS | -                                   |
| 3  | Schlüter®-BARA-RTK   | Pagina 326                          |
| 4  | Schlüter®-BARA-RWL   | Pagina 324                          |
| 5  | Schlüter®-TROBA-PLUS   | Pagina 293                          |
| 6  | Schlüter®-TROBA-LEVEL-PLA 30   | Pagina 299                          |
| 7  | Schlüter®-TROBA-LEVEL-PLV 60   | Pagina 299                          |
| 8  | Schlüter®-KERDI-KEBA<br>Schlüter®-KERDI-COLL                               | Pagina 181<br>Pagina 188            |
| 9  | Schlüter®-RONDEC<br>Schlüter®-JOLLY<br>Schlüter®-QUADEC                    | Pagina 70<br>Pagina 80<br>Pagina 61 |
| 10 | Schlüter®-BARIN  | Pagina 331                          |
| 11 | Plaalementen   | -                                   |

## Bekledingsconstructie op kiezel-/splitbed

De oppervlaktedrainage Schlüter-TROBA ligt als beschermings- en scheidingslaag over de afdichting en beschermt deze tegen het indrukken van losse steentjes. Ze voorkomt ook "betonvorst" door bevroren water op de afdichting. Verder zorgt ze voor een permanente waterafvoer dat binnendringt door de open voegen van de zelfdragende plaalementen. Belastingen worden via de raakvlakken van de trapeziumvormige noppen direct overgedragen op de afgedichte ondergrond.



- |   |                         |            |
|---|-------------------------|------------|
| 1 | Ondergrond met afschot  | -          |
| 2 | Afdichting              | -          |
| 3 | Schlüter®-BARA-RKLT     | Pagina 330 |
| 4 | Schlüter®-TROBA         | Pagina 295 |
| 5 | Kiezel- of splitbed     | -          |
| 6 | Schlüter®-BARIN         | Pagina 331 |
| 7 | Schlüter®-TROBA-LINE-TL | Pagina 301 |
| 8 | Plaalementen            | -          |



# Vaste plaatsing

## Met afdichting en ont koppeling

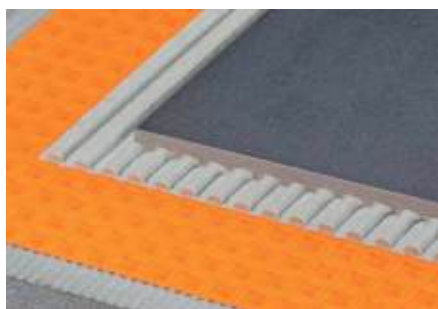
Vanwege de extreme weersomstandigheden zijn de afdichting en de ont koppeling van niet los geplaatste tegelbekledingen op balkons en terrassen van essentieel belang. Met Schlüter-DITRA en Schlüter-DITRA-DRAIN biedt Schlüter-Systems systeemoplossingen, waardoor de tegelbekleding zich vrij van de ondergrond kan bewegen en zo spanningen in de constructie worden vermeden. Deze systemen worden al jaren wereldwijd in buitentoepassingen succesvol gebruikt.



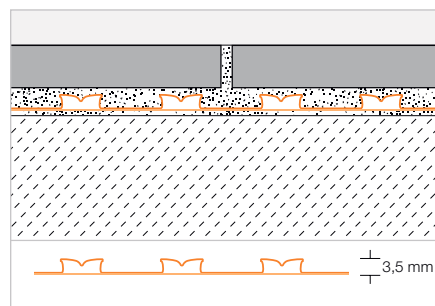
Afbeelding: Ströher GmbH

### Ontkoppeling

## Schlüter®-DITRA



Schlüter-DITRA is een polypropyleenmat met zwaluwstaartvormige, kwadratisch verdiepte oppervlakken met een Easyfill-design, die aan de achterzijde is voorzien van een dragende vlieslaag. Het vormt een universele ondergrond voor tegelbekledingen als ont koppelingslaag, contactafdichting en dampdruknivelleringslaag. (Productdatablad 6.1)



### Schlüter®-DITRA

Polypropyleen op rol

| L x B = m <sup>2</sup> | Art.-No. | € / m <sup>2</sup> | PL (rol) |
|------------------------|----------|--------------------|----------|
| 5,1 x 0,995 = 5        | D 5M     | 23,61              | 22       |
| 30,2 x 0,995 = 30      | D 30M    | 19,57              | 6        |

#### Tip gereedschap:

Schlüter-TROWEL, vertanding 4 x 4, zie pagina 338.



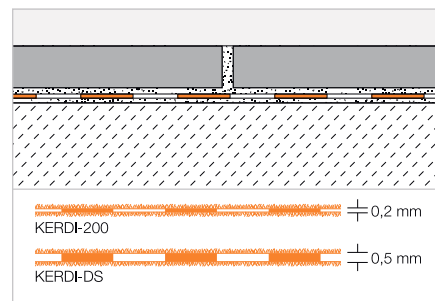
## Contactafdichting

## Schlüter®-KERDI



Schlüter-KERDI is een polyethyleen afdichtingsmat die voor de verankering in de tegel-lijm aan beide zijden van een vliesweefsel is voorzien. Deze mat is met name geschikt voor afdichtingen in buitentoepassingen onder een oppervlakedrainage met Schlüter-TROBA-PLUS of hechtende drainage Schlüter-DITRA-DRAIN.

(Productdatablad 8.1)



## Schlüter®-KERDI 200

Polyethyleen op rol

| L (m)                   | m <sup>2</sup> | Breedte = 1,00 m<br>Art.-No. | € / m <sup>2</sup> | PL (rol) |
|-------------------------|----------------|------------------------------|--------------------|----------|
| 5                       | 5              | KERDI 200 / 5M               | 24,37              | 75       |
| 10                      | 10             | KERDI 200 / 10M              | 22,00              | 50       |
| 30                      | 30             | KERDI 200                    | 20,02              | 20       |
| <b>Breedte = 1,50 m</b> |                |                              |                    |          |
| 20                      | 30             | KERDI 200 150 / 20M          | 20,02              | 20       |
| <b>Breedte = 2,00 m</b> |                |                              |                    |          |
| 15                      | 30             | KERDI 200 200 / 15M          | 20,02              | 20       |

## Schlüter®-KERDI-DS

Polyethyleen-dampscherm, op rol

| L (m) | Breedte = 1,00 m<br>Art.-No. | € / m <sup>2</sup> | PL (rol) |
|-------|------------------------------|--------------------|----------|
| 30    | KERDI-DS                     | 23,12              | 25       |

**Tip gereedschap:**

Schlüter-TROWEL, vertanding 4 x 4, zie pagina 338.

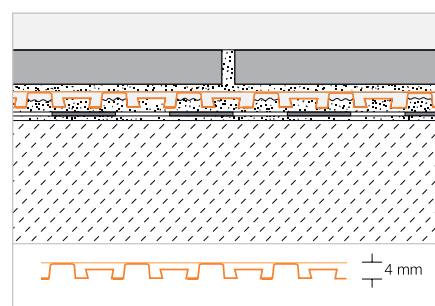
## Hechtende drainage

## Schlüter®-DITRA-DRAIN 4



Schlüter-DITRA-DRAIN 4 is een vormvaste polyethyleenfolie met aan de onderzijde een speciale noppenstructuur en aan de bovenzijde een opgelijmd filtervlies uit polypropyleen. Het vormt een universele ondergrond voor tegelbekleding als ontkoppelingsslaag en duurzaam functionele, capillair passieve hechtende drainage.

(Productdatablad 6.2)



## Schlüter®-DITRA-DRAIN 4

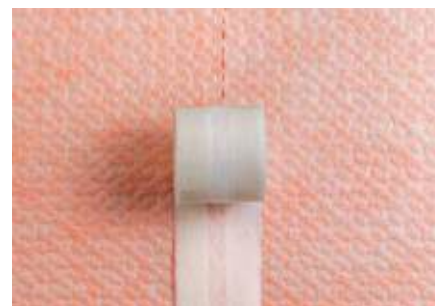
Polyethyleen op rol

| L (m) | Breedte = 1,00 m<br>Art.-No. | € / m <sup>2</sup> | PL (rol) |
|-------|------------------------------|--------------------|----------|
| 10    | DITRA-DRAIN 10M              | 24,64              | 12       |
| 25    | DITRA-DRAIN 25M              | 22,23              | 6        |

## Schlüter®-DITRA-DRAIN-STU

Zelfklevende naadafdekband

| L (m) | Breedte = 90 mm<br>Art.-No. | € / m | P (st.) |
|-------|-----------------------------|-------|---------|
| 5     | STUV KB 90/ 5M              | 8,31  | 10      |
| 30    | STUV KB 90/30M              | 7,35  | 10      |

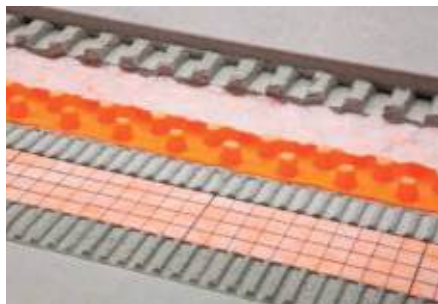
**Tip gereedschap:**

Schlüter-TROWEL, vertanding 6 x 6, zie pagina 338.



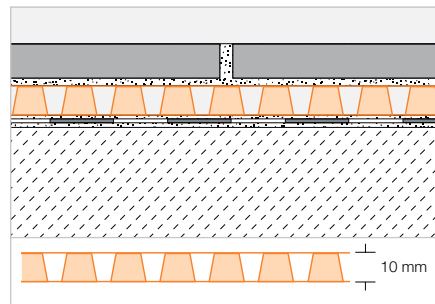
## Hechtende drainage

### Schlüter®-DITRA-DRAIN 8



Schlüter-DITRA-DRAIN 8 is een vormvaste polyethyleenfolie met een enkelzijdig uitgewerkte speciale noppenstructuur. Hij is aan de onderzijde voorzien van een vlies voor de verankering in de tegellijm en aan de bovenzijde van een speciaal filtervlies. Schlüter-DITRA-DRAIN 8 is een universele ondergrond voor tegelbekledingen als ontkoppelingslaag en duurzaam functionele, capillair passieve hechtende drainage.

(Productdatablad 6.2)



#### Schlüter®-DITRA-DRAIN 8

Polyethyleen op rol

| L (m) | Breedte = 1,00 m<br>Art.-No. | € / m <sup>2</sup> | PL (rol) |
|-------|------------------------------|--------------------|----------|
| 12,5  | DITRA-DRAIN 8 12M            | 23,61              | 6        |

#### Schlüter®-DITRA-DRAIN-STU

Zelfklevende naadafdekband

| L (m) | Breedte = 90 mm<br>Art.-No. | € / m | P (st.) |
|-------|-----------------------------|-------|---------|
| 5     | STUV KB 90/ 5M              | 8,31  | 10      |
| 30    | STUV KB 90/30M              | 7,35  | 10      |

#### Tip gereedschap:

Schlüter-TROWEL, vertanding 4 x 4, zie pagina 338.

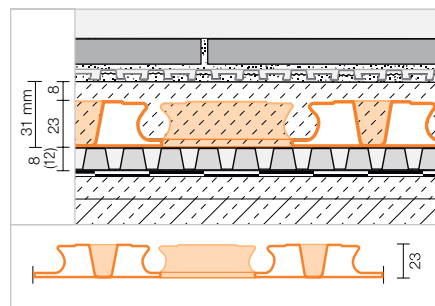
## Noppenplaat

### Schlüter®-BEKOTEC-DRAIN



Schlüter-BEKOTEC-DRAIN is de betrouwbare en bijzonder dunlagige bekledingsconstructietechniek als systeem voor juist functionerende zwevende dekvloeren. Daardoor zijn in buitentoepassingen barstvrije bekledingen met keramische tegels en natuursteen mogelijk, bijv. in combinatie met TROBA-PLUS.

(Productdatablad 9.3)



#### Schlüter®-BEKOTEC-EN 23 FD

Systeemplaat

| 120 x 90 cm = 1,08 m <sup>2</sup><br>Art.-No. | € / m <sup>2</sup> | P (st.) |
|---|--------------------|---------|
| EN 23 FD                                      | 21,25              | 20      |



# De perfecte outdoor combinatie

## Drainage en ontkoppeling

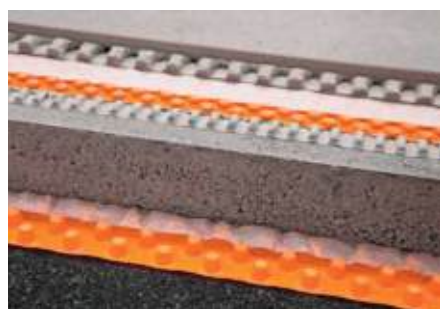
## met Schlüter-TROBA-PLUS 8 en -DITRA-DRAIN 8



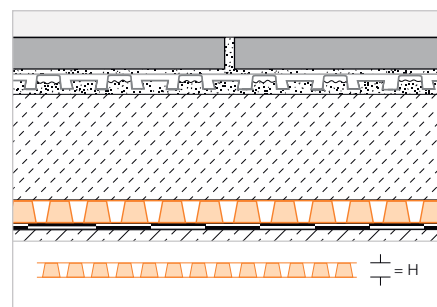
Voor buitenruimtes waarvan u lang plezier hebt: TROBA-PLUS 8 en DITRA-DRAIN 8 bieden een ideale combinatie van betrouwbare drainage en ontkoppeling. De capillair passieve drainage voert het water af naar de afwatering en de ontkoppelfunctie neutraliseert spanningen tussen de ondergrond en de bekleding. Het optimale duo voor mooie en duurzame balkons en terrassen.

### Drainage

#### Schlüter®-TROBA-PLUS



Schlüter-TROBA-PLUS is een capillair neutraliserende oppervlakedrainage die op een duurzame en efficiënte wijze insijpelwater afvoert. De dicht bij elkaar staande noppen hebben de vorm van stompe kegels. Ze zijn bestand tegen hoge belastingen en bedekt met een waterdoorlatend vlies. Ze tillen de volledige bekledingsconstructie op en vormen zo een ononderbroken drainageruimte. (Productdatablad 7.2)



#### Schlüter®-TROBA-PLUS 8

Polyethyleen op rol

| H (mm) | 12,5 x 1 m = 12,5 m <sup>2</sup><br>Art.-No. | € / m <sup>2</sup> | PL (rol) |
|--------|--|--------------------|----------|
| 8      | TROBA-PLUS 8                                 | 20,59              | 6        |

#### Schlüter®-TROBA-PLUS 12

Polyethyleen op rol

| H (mm) | 10 x 1 m = 10 m <sup>2</sup><br>Art.-No. | € / m <sup>2</sup> | PL (rol) |
|--------|--|--------------------|----------|
| 12     | TROBA-PLUS 12                            | 22,73              | 6        |

#### Schlüter®-DITRA-DRAIN-STU

Zelfklevende naadafdekbands

| L (m) | Breedte = 90 mm<br>Art.-No. | € / m | P (st.) |
|-------|-----------------------------|-------|---------|
| 5     | STUV KB 90/ 5M              | 8,31  | 10      |
| 30    | STUV KB 90/30M              | 7,35  | 10      |

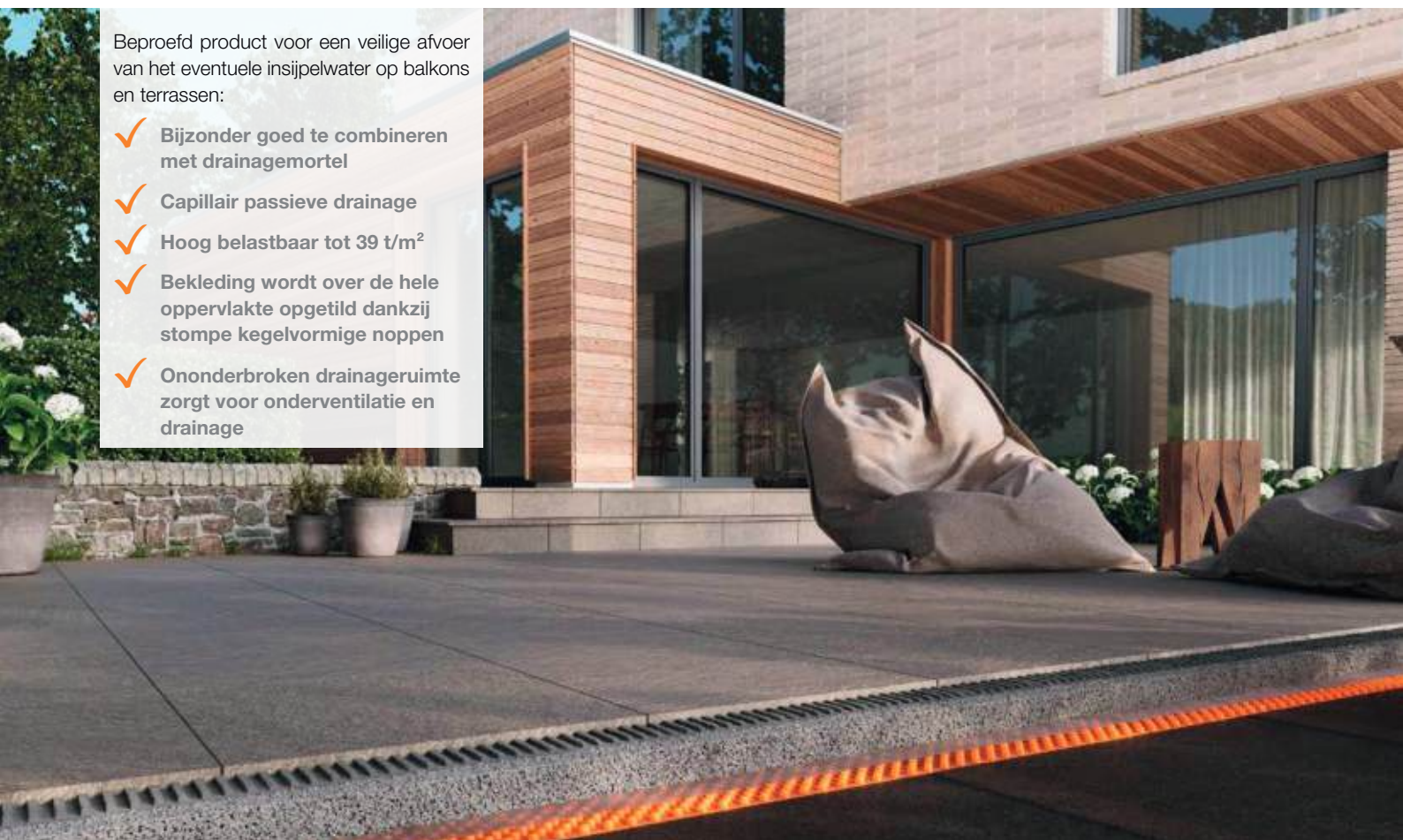


# Schlüter®-TROBA-PLUS-G

## Capillair passieve drainage

Beproefd product voor een veilige afvoer van het eventuele insijpelwater op balkons en terrassen:

- ✓ Bijzonder goed te combineren met drainagemortel
- ✓ Capillair passieve drainage
- ✓ Hoog belastbaar tot 39 t/m<sup>2</sup>
- ✓ Bekleding wordt over de hele oppervlakte opgetild dankzij stompe kegelvormige noppen
- ✓ Ononderbroken drainage ruimte zorgt voor onderventilatie en drainage



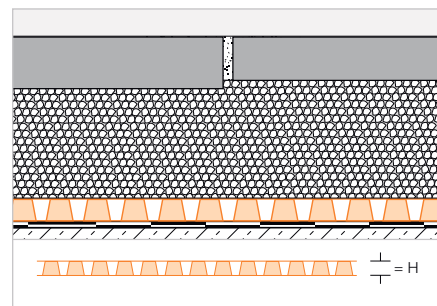
### Drainage

## Schlüter®-TROBA-PLUS-G



Schlüter-TROBA-PLUS-G is een capillair neutraliserende oppervlaktedrainage die op een duurzame en efficiënte wijze insijpelwater afvoert. De dicht bij elkaar staande noppen hebben de vorm van stompe kegels. Ze zijn bestand tegen hoge belastingen en bedekt met een waterdoorlatend gaas. Ze tillen de volledige bekledingsconstructie op en vormen zo een ononderbroken drainage ruimte. Schlüter-TROBA-PLUS 8G is bijzonder goed geschikt voor de combinatie met drainagedekvloeren.

(Productdatablad 7.2)



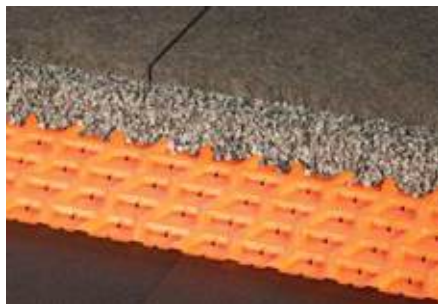
### Schlüter®-TROBA-PLUS 8G

Polyethyleen op rol

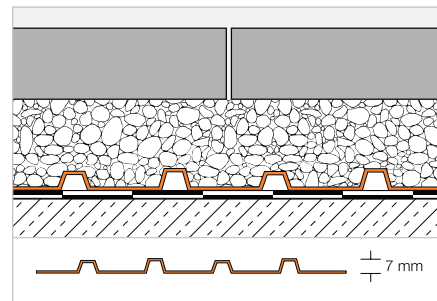
| H (mm) | 12,5 x 1 m = 12,5 m <sup>2</sup><br>Art.-No. | € / m <sup>2</sup> | PL (rol) |
|--------|--|--------------------|----------|
| 8      | TROBA-PLUS 8G                                | 24,05              | 6        |

## Drainage

## Schlüter®-TROBA



Schlüter-TROBA is een scheidings- en beschermlaag voor afdichtingssystemen die onder bekledingen in het grind- of splitbed worden gelegd. Ze bestaat uit een drukvaste polypropyleen-noppenfolie met openingen naar de drainagekanalen. Ingeval van een lastverdelingslaag uit dekvloer moet daarop Schlüter-DITRA als afdichtings- en ontkopelingslaag worden gelegd. (Productdatablad 7.1)



## Schlüter®-TROBA-MA

Polypropyleen mat

| 1 x 1 m = 1 m <sup>2</sup><br>Art.-No. | € / m <sup>2</sup> | PL (st.) |
|--|--------------------|----------|
| TROBA-MA                               | 18,83              | 220      |

## Schlüter®-TROBA-RO

Polypropyleen op rol

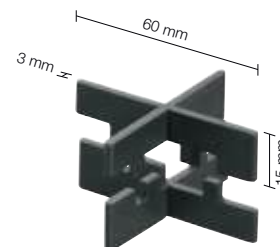
| 20 x 1 m = 20 m <sup>2</sup><br>Art.-No. | € / m <sup>2</sup> | PL (rol) |
|--|--------------------|----------|
| TROBA-RO                                 | 18,26              | 6        |

## Voegkruisje

## Schlüter®-TROBA-ZFK



Schlüter-TROBA-ZFK zijn voegkruisjes voor een constant voegenbeeld bij losse plaatsing van keramische tegels, natuursteen of betontegels in een grind- of splitbed, bijv. op Schlüter-TROBA. De voegbreedte bedraagt 3 mm, de hoogte van de kruisjes 15 mm. Door de voegkruisjes op elkaar te plaatsen kan een hoogte van 30 mm worden bereikt. (Productdatablad 7.6)



## Schlüter®-TROBA-ZFK

Voegkruisje (3 mm)

| H (mm) | Art.-No. | € / Pakket | P (pakket) |
|--------|----------|------------|------------|
| 15     | TZ FK 3  | 19,37      | 60         |

Pakket = 50 St.



# Grote formaten

## Goed uitgerust systeem

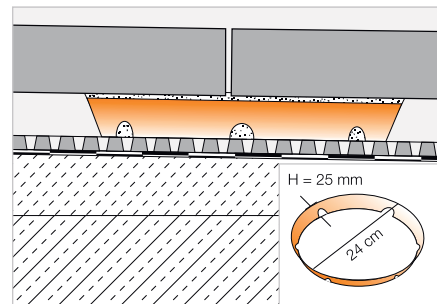
Grote formaten in 2 cm dikte worden steeds meer toegepast op balkons en terrassen. Bij Schlüter-Systems vindt u het juiste materiaal voor losse plaatsing in buitentoepassing, bijv. Schlüter-TROBA-LEVEL (zie vanaf pag. 298), Schlüter-TROBA-PLUS 8G (zie pag. 294), Schlüter-TROBA-STELZ-DR (zie pag. 297) en Schlüter-BARA-RKL (zie pag. 321).



## Tegeldragers

**Schlüter®-TROBA-STELZ-MR**

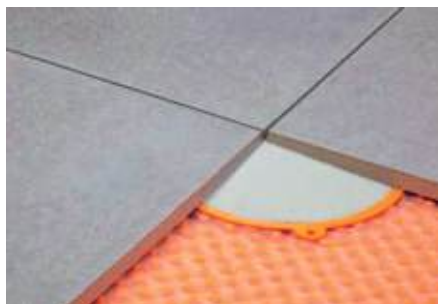
Schlüter-TROBA-STELZ-MR zijn kunststofringen die fungeren als hulpmiddel bij het leggen van grootformaat plaalementen op balkons en terrassen. De 25 mm hoge kunststofringen worden onder de kruispunten van de plaalementen geplaatst en daarop worden dan de plaalementen gelegd. (Productdatablad 7.3)

**Schlüter®-TROBA-STELZ-MR**

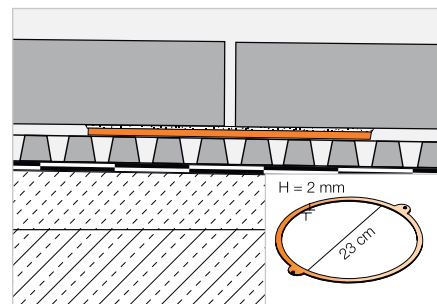
Kunststofring

| Art.-No.    | € / St. | PL (st.) |
|-------------|---------|----------|
| TROBA-STELZ | 1,51    | 3000     |

Pakket = 50 St.

**Schlüter®-TROBA-STELZ-DR**

Schlüter-TROBA-STELZ-DR zijn bekistingsringen voor dunbedmortel op Schlüter-TROBA-PLUS 8G. Na het smeren van de dunbedmortel kan men de ringen ofwel als verloren bekisting laten liggen of ze wegnemen en hergebruiken. (Productdatablad 7.5)

**Schlüter®-TROBA-STELZ-DR**

Kunststofring

| Art.-No.       | € / Pakket | P (pakket) |
|----------------|------------|------------|
| TROBA-STELZ-DR | 12,15      | 100        |

Pakket = 10 St.



# Schlüter®-TROBA-LEVEL

Losse plaatsing – op de millimeter nauwkeurig en betrouwbaar



Met Schlüter-TROBA-LEVEL kunt u zelfdragende plaalementen op balkons en terrassen snel, nauwkeurig en stevig plaatsen. De productcomponenten kunnen onderling gecombineerd worden, zodat nagenoeg elke helling en bouwsituatie op een betrouwbare wijze genivelleerd kan worden. En dat voor opbouwhoogtes vanaf 3 mm!

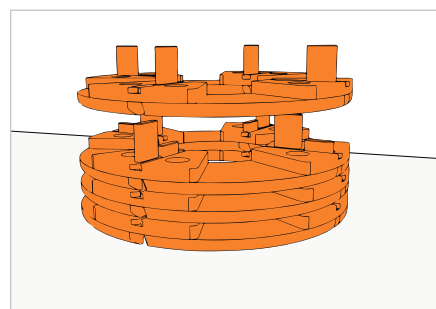
- ✓ Voor het nivellere van oneffenheden, bijv. lasnaden
- ✓ Wankelvrije plaatsing door op de millimeter nauwkeurige nivellering
- ✓ Uitdraaibeschermering
- ✓ Trillingsrem – voorkomt verdraaien bij schokken

## Tegeldragers

### Schlüter®-TROBA-LEVEL-PL 10



Schlüter-TROBA-LEVEL-PL 10 zijn stapelbare tegeldragers, waarmee plaalementen, ongeacht de afmeting en dikte, op hoogte geplaatst kunnen worden. Ze zijn gemaakt van een speciaal, geluidsreducerende kunststof en kunnen direct op de afdichting worden geplaatst. De 3 mm dikke voegribben maken een homogeen voegraster mogelijk en kunnen horizontale bewegingen in de bekleding opnemen. TROBA-LEVEL-PL 10 kunnen tot een hoogte van 200 mm op elkaar worden geplaatst en zijn te combineren met andere tegeldragers uit de productserie. (Productdatablad 7.6)



#### Schlüter®-TROBA-LEVEL-PL 10

PE-tegeldrager Ø 120 mm

| H (mm) | Art.-No. | € / St. | P (st.) |
|--------|----------|---------|---------|
| 10     | TL PL 10 | 3,20    | 100     |

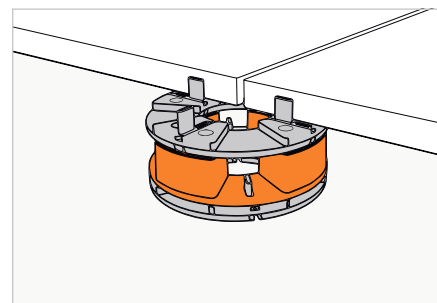
## Tegeldragers

## Schlüter®-TROBA-LEVEL-PLA 30



Schlüter-TROBA-LEVEL-PLA 30 zijn vulstukken voor verhoogde opbouw van plaalementen. Bij een opbouwhoogte vanaf 50 mm kunnen er een of meerdere TROBA-LEVEL-PLA 30 adapters tussen twee Schlüter-TROBA-LEVEL-PL 10 tegeldragers worden geplaatst. TROBA-LEVEL-PLA 30 kunnen tot een hoogte van 300 mm op elkaar worden geplaatst en zijn te combineren met TROBA-LEVEL-PLV 60 en TROBA-LEVEL-LV 3 tegeldragers.

(Productdatablad 7.6)



## Schlüter®-TROBA-LEVEL-PLA 30

PE-adapter Ø 120 mm

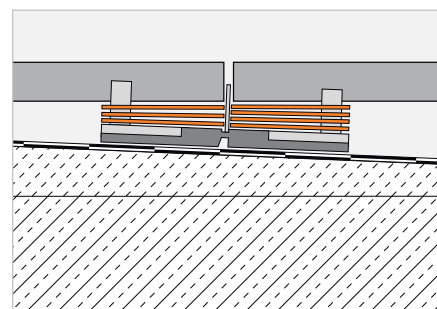
| H (mm) | Art.-No.  | € / St. | P (st.) |
|--------|-----------|---------|---------|
| 30     | TL PLA 30 | 3,87    | 52      |

## Schlüter®-TROBA-LEVEL-AP 1



Schlüter-TROBA-LEVEL-AP 1 nivelleerplaatjes dienen om plaalementen in verschillende hoogtesituaties nauwkeurig af te stemmen. Afwijkende tegeldiktes, oneffenheden in de ondergrond of lichte hoogteverschillen kunnen tot 10 mm per tegelhoek worden genivelleerd.

(Productdatablad 7.6)



## Schlüter®-TROBA-LEVEL-AP 1

PP-nivelleerplaatjes, kwartrond

| H (mm) | Art.-No. | € / Pakket | P (pakket) |
|--------|----------|------------|------------|
| 1      | TL AP 1  | 41,97      | 8          |

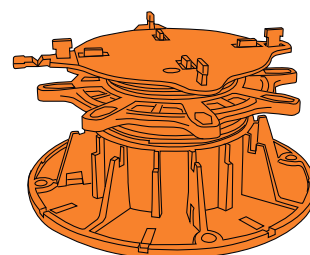
Pakket = 250 St.

## Schlüter®-TROBA-LEVEL-PLV 60



Schlüter-TROBA-LEVEL-PLV 60 is een draaibare tegeldrager, die met een verstelring en twee in tegengestelde richtingen draaiende schroefdraden tussen 60 en 130 mm kan worden afgesteld. Vanwege de identieke tegelopname aan de bovenzijde (Ø 120 mm) is individueel stapelen in combinatie met TROBA-LEVEL-PL 10 en -PLA 30 mogelijk. Indien nodig, is een nauwkeurige afstemming en hoogtenivelleringsmogelijk met de TROBA-LEVEL-AP 1 nivelleerplaatjes. Er kunnen twee of meer TROBA-LEVEL-PLV 60 op elkaar worden geplaatst om een opbouwhoogte van maximaal 520 mm te verkrijgen. Op de tegeldrager zijn 3 mm dikke voegribben geplaatst en tevens een extra randafstandshouder.

(Productdatablad 7.6)



## Schlüter®-TROBA-LEVEL-PLV 60

PP-tegeldrager Ø bodemplaat 200 mm

| H (mm) | Art.-No.  | € / St. | P (st.) |
|--------|-----------|---------|---------|
| 60-130 | TL PLV 60 | 12,41   | 48      |

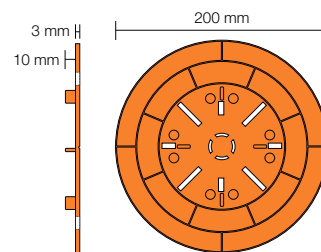


## Tegeldragers

### Schlüter®-TROBA-LEVEL-LV 3



Schlüter-TROBA-LEVEL-LV 3 zijn lastverdelende tegeldragers die in combinatie met TROBA-LEVEL-PL 10, -PLA 30 en -AP 1 worden gebruikt. Met deze tegeldrager is ook een dunne opbouwhoogte mogelijk. TROBA-LEVEL-LV 3 kan worden doorsneden en heeft 3 mm dikke voegribben. (Productdatablad 7.6)



#### Schlüter®-TROBA-LEVEL-LV 3

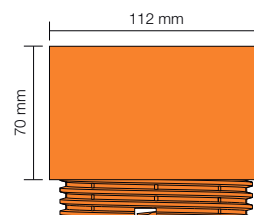
PP-tegeldrager Ø 200 mm

| H (mm) | Art.-No. | € / St. | P (st.) |
|--------|----------|---------|---------|
| 3      | TL LV 3  | 5,15    | 100     |

### Schlüter®-TROBA-LEVEL-PLA 70



Schlüter-TROBA-LEVEL-PLA 70 zijn vulstukken voor verhoogde opbouw van plaat-elementen. Ze worden in de bodemplaat van de tegeldrager TROBA-LEVEL-PLV 60 vastgeschroefd. (Productdatablad 7.6)



#### Schlüter®-TROBA-LEVEL-PLA 70

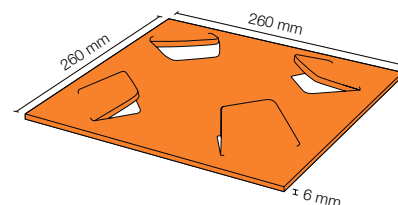
PP-adapter

| H (mm) | Art.-No.  | € / St. | P (st.) |
|--------|-----------|---------|---------|
| 70     | TL PLA 70 | 7,87    | 30      |

### Schlüter®-TROBA-LEVEL-PLS 6



Schlüter-TROBA-LEVEL-PLS 6 zijn beschermers van rubbergranulaat ter bescherming van de afdichting. De bodemplaat van TROBA-LEVEL-PLV 60 of tegeldrager TROBA-LEVEL-LV 3 wordt in de inkepingen van de TROBA-LEVEL-PLS 6 beschermer (6 mm) vastgezet. Bij PVC-afdichtingen moet de aluminium scheidingslaag van de beschermer aan de onderzijde worden geplaatst. Als TROBA-LEVEL-PL 10 wordt gebruikt, moet deze in het midden van de beschermer worden geplaatst. (Productdatablad 7.6)



#### Schlüter®-TROBA-LEVEL-PLS 6

Rubbergranulaat

| H (mm) | Art.-No. | € / Pakket | P (pakket) |
|--------|----------|------------|------------|
| 6      | TL PLS 6 | 32,93      | 5          |

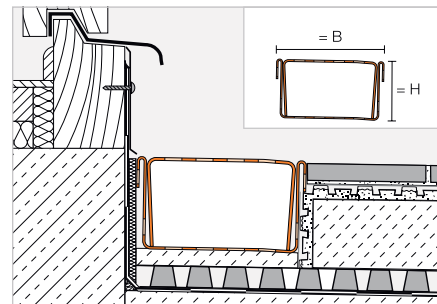
Pakket = 10 St.

## Drainagegoot | Verstevinging

## Schlüter®-TROBA-LINE-TL



Schlüter-TROBA-LINE-TL is een roestvaststaalen drainagegoot die bij geringe aansluithoogten naar deurkozijnen op balkons en terrassen kan worden ingebouwd om opstuwend water te voorkomen. Kan ook als oppervlaktedrainagegoot worden gebruikt. (Productdatablad 7.4)



## Schlüter®-TROBA-LINE-TL

Roestvast staal V2A, goot geperforeerd, B = 75 mm

| H (mm)     | L = 2,00 m<br>Art.-No. | € / St.       | KV (st.) |
|------------|------------------------|---------------|----------|
| 20         | TL2 V2A 75/200         | <b>238,24</b> | 60       |
| 40         | TL4 V2A 75/200         | <b>283,66</b> | 60       |
| L = 1,50 m |                        |               |          |
| 20         | TL2 V2A 75/150         | <b>183,97</b> | 60       |
| 40         | TL4 V2A 75/150         | <b>218,08</b> | 60       |
| L = 1,00 m |                        |               |          |
| 20         | TL2 V2A 75/100         | <b>129,73</b> | 60       |
| 40         | TL4 V2A 75/100         | <b>152,47</b> | 60       |
| L = 0,75 m |                        |               |          |
| 20         | TL2 V2A 75/ 75         | <b>102,60</b> | 60       |
| 40         | TL4 V2A 75/ 75         | <b>119,64</b> | 60       |

## Schlüter®-TROBA-LINE-TL

Roestvast staal V2A, goot geperforeerd, B = 110 mm

| H (mm)     | L = 2,00 m<br>Art.-No. | € / St.       | KV (st.) |
|------------|------------------------|---------------|----------|
| 20         | TL2 V2A 110/200        | <b>280,56</b> | 40       |
| 40         | TL4 V2A 110/200        | <b>325,98</b> | 40       |
| L = 1,50 m |                        |               |          |
| 20         | TL2 V2A 110/150        | <b>215,77</b> | 40       |
| 40         | TL4 V2A 110/150        | <b>249,83</b> | 40       |
| L = 1,00 m |                        |               |          |
| 20         | TL2 V2A 110/100        | <b>150,92</b> | 40       |
| 40         | TL4 V2A 110/100        | <b>173,64</b> | 40       |
| L = 0,75 m |                        |               |          |
| 20         | TL2 V2A 110/ 75        | <b>118,51</b> | 40       |
| 40         | TL4 V2A 110/ 75        | <b>135,53</b> | 40       |

## Schlüter®-TROBA-LINE-TL

Roestvast staal V2A, goot geperforeerd, B = 160 mm

| H (mm)     | L = 2,00 m<br>Art.-No. | € / St.       | KV (st.) |
|------------|------------------------|---------------|----------|
| 20         | TL2 V2A 160/200        | <b>343,00</b> | 40       |
| 40         | TL4 V2A 160/200        | <b>388,43</b> | 40       |
| L = 1,50 m |                        |               |          |
| 20         | TL2 V2A 160/150        | <b>262,58</b> | 40       |
| 40         | TL4 V2A 160/150        | <b>296,61</b> | 40       |
| L = 1,00 m |                        |               |          |
| 20         | TL2 V2A 160/100        | <b>182,13</b> | 40       |
| 40         | TL4 V2A 160/100        | <b>204,81</b> | 40       |
| L = 0,75 m |                        |               |          |
| 20         | TL2 V2A 160/ 75        | <b>141,92</b> | 40       |
| 40         | TL4 V2A 160/ 75        | <b>158,96</b> | 40       |

## Schlüter®-TROBA-LINE-TLG

Roestvast staal V2A, goot gesloten, B = 75 mm

| H (mm)     | L = 2,00 m<br>Art.-No. | € / St.       | KV (st.) |
|------------|------------------------|---------------|----------|
| 20         | TLG2 V2A 75/200        | <b>238,24</b> | 60       |
| 40         | TLG4 V2A 75/200        | <b>283,66</b> | 60       |
| L = 1,50 m |                        |               |          |
| 20         | TLG2 V2A 75/150        | <b>183,97</b> | 60       |
| 40         | TLG4 V2A 75/150        | <b>218,08</b> | 60       |
| L = 1,00 m |                        |               |          |
| 20         | TLG2 V2A 75/100        | <b>129,73</b> | 60       |
| 40         | TLG4 V2A 75/100        | <b>152,47</b> | 60       |
| L = 0,75 m |                        |               |          |
| 20         | TLG2 V2A 75/ 75        | <b>102,60</b> | 60       |
| 40         | TLG4 V2A 75/ 75        | <b>119,64</b> | 60       |

## Schlüter®-TROBA-LINE-TLG

Roestvast staal V2A, goot gesloten, B = 110 mm

| H (mm)     | L = 2,00 m<br>Art.-No. | € / St.       | KV (st.) |
|------------|------------------------|---------------|----------|
| 20         | TLG2 V2A 110/200       | <b>280,56</b> | 40       |
| 40         | TLG4 V2A 110/200       | <b>325,98</b> | 40       |
| L = 1,50 m |                        |               |          |
| 20         | TLG2 V2A 110/150       | <b>215,77</b> | 40       |
| 40         | TLG4 V2A 110/150       | <b>249,83</b> | 40       |
| L = 1,00 m |                        |               |          |
| 20         | TLG2 V2A 110/100       | <b>150,92</b> | 40       |
| 40         | TLG4 V2A 110/100       | <b>173,64</b> | 40       |
| L = 0,75 m |                        |               |          |
| 20         | TLG2 V2A 110/ 75       | <b>118,51</b> | 40       |
| 40         | TLG4 V2A 110/ 75       | <b>135,53</b> | 40       |

## Schlüter®-TROBA-LINE-TLG

Roestvast staal V2A, goot gesloten, B = 160 mm

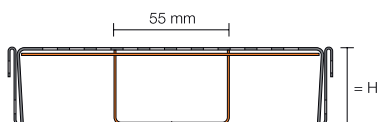
| H (mm)     | L = 2,00 m<br>Art.-No. | € / St.       | KV (st.) |
|------------|------------------------|---------------|----------|
| 20         | TLG2 V2A 160/200       | <b>343,00</b> | 40       |
| 40         | TLG4 V2A 160/200       | <b>388,43</b> | 40       |
| L = 1,50 m |                        |               |          |
| 20         | TLG2 V2A 160/150       | <b>262,58</b> | 40       |
| 40         | TLG4 V2A 160/150       | <b>296,61</b> | 40       |
| L = 1,00 m |                        |               |          |
| 20         | TLG2 V2A 160/100       | <b>182,13</b> | 40       |
| 40         | TLG4 V2A 160/100       | <b>204,81</b> | 40       |
| L = 0,75 m |                        |               |          |
| 20         | TLG2 V2A 160/ 75       | <b>141,92</b> | 40       |
| 40         | TLG4 V2A 160/ 75       | <b>158,96</b> | 40       |



### Schlüter®-TROBA-LINE-TL/V

Verstevigingselement voor TL en TLG roestvast staal V2A

| H (mm) | L = 2,00 m<br>Art.-No. | € / St.       | KV (st.) |
|--------|------------------------|---------------|----------|
| 20     | TL2 V / 200            | <b>108,97</b> | 60       |
| 40     | TL4 V / 200            | <b>135,81</b> | 60       |
|        | L = 1,50 m             |               |          |
| 20     | TL2 V / 150            | <b>81,73</b>  | 60       |
| 40     | TL4 V / 150            | <b>101,84</b> | 60       |



### Schlüter®-TROBA-LINE-TL/V

Verstevigingselement voor TL en TLG roestvast staal V2A

| H (mm) | L = 1,00 m<br>Art.-No. | € / St.      | KV (st.) |
|--------|------------------------|--------------|----------|
| 20     | TL2 V / 100            | <b>54,45</b> | 60       |
| 40     | TL4 V / 100            | <b>67,94</b> | 60       |
|        | L = 0,75 m             |              |          |
| 20     | TL2 V / 75             | <b>40,83</b> | 60       |
| 40     | TL4 V / 75             | <b>50,91</b> | 60       |

### Opmerking:

Bij elke Schlüter-TROBA-LINE-TL-drainagegoot zijn twee eindstukken / verbindingstukken verpakt.

Bij hogere belastingen, bijv. door voetgangers- of rolstoelverkeer, is het bij de breedten 110 en 160 mm aan te bevelen het verstevigingselement Schlüter-TROBA-LINE-TL/V mee in te bouwen (apart te bestellen).

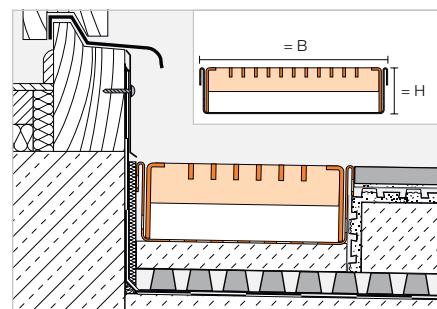
## Drainagegoot

### Schlüter®-TROBA-LINE-TLR



Schlüter-TROBA-LINE-TLR is een drainagegoot uit twee delen. Het onderste deel is van roestvast staal, het bovenste – een drainage-rooster – is van verzinkt staal. De goot kan bij lage aansluithoogten aan deurelementen op balkons en terrassen worden ingewerkt om opstuwend water te voorkomen. Ze kan ook als een intensief belastbare oppervlaktedrainagegoot worden gebruikt.

(Productdatablad 7.4)



### Schlüter®-TROBA-LINE-TLR

Goot geperforeerd, rooster verzinkt, B = 110 mm

| H (mm) | L = 2,00 m<br>Art.-No. | € / St.       | KV (st.) |
|--------|------------------------|---------------|----------|
| 20     | TL2 R 110/200          | <b>292,19</b> | 40       |
| 40     | TL4 R 110/200          | <b>418,28</b> | 40       |
|        | L = 1,50 m             |               |          |
| 20     | TL2 R 110/150          | <b>242,76</b> | 40       |
| 40     | TL4 R 110/150          | <b>355,86</b> | 40       |
|        | L = 1,00 m             |               |          |
| 20     | TL2 R 110/100          | <b>156,69</b> | 40       |
| 40     | TL4 R 110/100          | <b>219,77</b> | 40       |
|        | L = 0,75 m             |               |          |
| 20     | TL2 R 110/ 75          | <b>132,00</b> | 40       |
| 40     | TL4 R 110/ 75          | <b>188,59</b> | 40       |

### Schlüter®-TROBA-LINE-TLR

Goot geperforeerd, rooster verzinkt, B = 160 mm

| H (mm) | L = 2,00 m<br>Art.-No. | € / St.       | KV (st.) |
|--------|------------------------|---------------|----------|
| 20     | TL2 R 160/200          | <b>354,56</b> | 40       |
| 40     | TL4 R 160/200          | <b>476,75</b> | 40       |
|        | L = 1,50 m             |               |          |
| 20     | TL2 R 160/150          | <b>294,99</b> | 40       |
| 40     | TL4 R 160/150          | <b>405,17</b> | 40       |
|        | L = 1,00 m             |               |          |
| 20     | TL2 R 160/100          | <b>187,91</b> | 40       |
| 40     | TL4 R 160/100          | <b>249,02</b> | 40       |
|        | L = 0,75 m             |               |          |
| 20     | TL2 R 160/ 75          | <b>158,11</b> | 40       |
| 40     | TL4 R 160/ 75          | <b>213,18</b> | 40       |

### Opmerking:

Bij elke TROBA-LINE-TLR-drainagegoot zijn twee eindstukken / verbindingstukken verpakt.

Het rooster van TROBA-LINE-TLR in de lengtes 1,50 m en 2,00 m bestaat uit telkens 2 delen (2 x 0,75 m of 2 x 1,00 m).

### Schlüter®-TROBA-LINE-TLGR

Goot gesloten, rooster verzinkt, B = 110 mm

| H (mm) | L = 2,00 m<br>Art.-No. | € / St.       | KV (st.) |
|--------|------------------------|---------------|----------|
| 40     | TLG4 R 110/200         | <b>418,28</b> | 40       |
|        | L = 1,50 m             |               |          |
| 40     | TLG4 R 110/150         | <b>289,84</b> | 40       |
|        | L = 1,00 m             |               |          |
| 40     | TLG4 R 110/100         | <b>219,77</b> | 40       |
|        | L = 0,75 m             |               |          |
| 40     | TLG4 R 110/ 75         | <b>155,51</b> | 40       |

### Schlüter®-TROBA-LINE-TLGR

Goot gesloten, rooster verzinkt, B = 160 mm

| H (mm) | L = 2,00 m<br>Art.-No. | € / St.       | KV (st.) |
|--------|------------------------|---------------|----------|
| 40     | TLG4 R 160/200         | <b>476,75</b> | 40       |
|        | L = 1,50 m             |               |          |
| 40     | TLG4 R 160/150         | <b>405,17</b> | 40       |
|        | L = 1,00 m             |               |          |
| 40     | TLG4 R 160/100         | <b>249,02</b> | 40       |
|        | L = 0,75 m             |               |          |
| 40     | TLG4 R 160/ 75         | <b>213,18</b> | 40       |

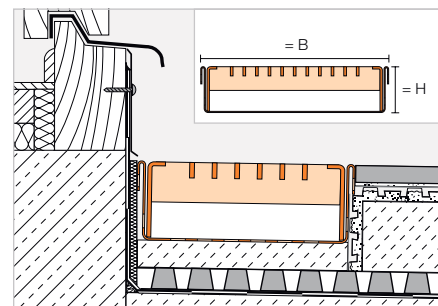
## Drainagegoot

### Schlüter®-TROBA-LINE-TLR-E



Schlüter-TROBA-LINE-TLR-E is een roestvaststalen drainagegoot met een afde krooster van gepolijst roestvast staal. De goot kan bij lage aansluithoogten aan deurelementen op balkons en terrassen worden ingewerkt om opstuwend water te voorkomen. Ze kan ook als een intensief belastbare oppervlaktedrainagegoot worden gebruikt.

(Productdatablad 7.4)



#### Schlüter®-TROBA-LINE-TLR-E

Goot geperforeerd, rooster roestvast staal V2A,  
B = 110 mm

| H (mm)            | L = 2,00 m<br>Art.-No. | € / St.       | KV (st.) |
|-------------------|------------------------|---------------|----------|
| 20                | TL2 R EP 110/200       | <b>482,45</b> | 40       |
| 40                | TL4 R EP 110/200       | <b>623,64</b> | 40       |
| <b>L = 1,50 m</b> |                        |               |          |
| 20                | TL2 R EP 110/150       | <b>415,10</b> | 40       |
| 40                | TL4 R EP 110/150       | <b>539,66</b> | 40       |
| <b>L = 1,00 m</b> |                        |               |          |
| 20                | TL2 R EP 110/100       | <b>251,77</b> | 40       |
| 40                | TL4 R EP 110/100       | <b>322,38</b> | 40       |
| <b>L = 0,75 m</b> |                        |               |          |
| 20                | TL2 R EP 110/ 75       | <b>218,12</b> | 40       |
| 40                | TL4 R EP 110/ 75       | <b>280,39</b> | 40       |

#### Schlüter®-TROBA-LINE-TLR-E

Goot geperforeerd, rooster roestvast staal V2A,  
B = 160 mm

| H (mm)            | L = 2,00 m<br>Art.-No. | € / St.       | KV (st.) |
|-------------------|------------------------|---------------|----------|
| 20                | TL2 R EP 160/200       | <b>632,02</b> | 40       |
| 40                | TL4 R EP 160/200       | <b>772,79</b> | 40       |
| <b>L = 1,50 m</b> |                        |               |          |
| 20                | TL2 R EP 160/150       | <b>549,49</b> | 40       |
| 40                | TL4 R EP 160/150       | <b>667,47</b> | 40       |
| <b>L = 1,00 m</b> |                        |               |          |
| 20                | TL2 R EP 160/100       | <b>326,56</b> | 40       |
| 40                | TL4 R EP 160/100       | <b>396,90</b> | 40       |
| <b>L = 0,75 m</b> |                        |               |          |
| 20                | TL2 R EP 160/ 75       | <b>285,28</b> | 40       |
| 40                | TL4 R EP 160/ 75       | <b>344,27</b> | 40       |

#### Opmerking:

Bij elke TROBA-LINE-TLR-E-drainagegoot zijn twee eindstukken / verbindingstukken verpakt.

Het rooster van TROBA-LINE-TLR-E in de lengtes 1,50 m en 2,00 m bestaat uit telkens 2 delen (2 x 0,75 m of 2 x 1,00 m).

#### Schlüter®-TROBA-LINE-TLGR-E

Goot gesloten, rooster roestvast staal V2A,  
B = 110 mm

| H (mm)            | L = 2,00 m<br>Art.-No. | € / St.       | KV (st.) |
|-------------------|------------------------|---------------|----------|
| 40                | TLG4 R EP 110/200      | <b>623,64</b> | 40       |
| <b>L = 1,50 m</b> |                        |               |          |
| 40                | TLG4 R EP 110/150      | <b>539,66</b> | 40       |
| <b>L = 1,00 m</b> |                        |               |          |
| 40                | TLG4 R EP 110/100      | <b>322,38</b> | 40       |
| <b>L = 0,75 m</b> |                        |               |          |
| 40                | TLG4 R EP 110/ 75      | <b>280,39</b> | 40       |

#### Schlüter®-TROBA-LINE-TLGR-E

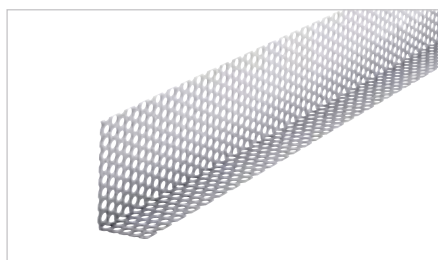
Goot gesloten, rooster roestvast staal V2A,  
B = 160 mm

| H (mm)            | L = 2,00 m<br>Art.-No. | € / St.       | KV (st.) |
|-------------------|------------------------|---------------|----------|
| 40                | TLG4 R EP 160/200      | <b>772,79</b> | 40       |
| <b>L = 1,50 m</b> |                        |               |          |
| 40                | TLG4 R EP 160/150      | <b>667,47</b> | 40       |
| <b>L = 1,00 m</b> |                        |               |          |
| 40                | TLG4 R EP 160/100      | <b>396,90</b> | 40       |
| <b>L = 0,75 m</b> |                        |               |          |
| 40                | TLG4 R EP 160/ 75      | <b>344,27</b> | 40       |



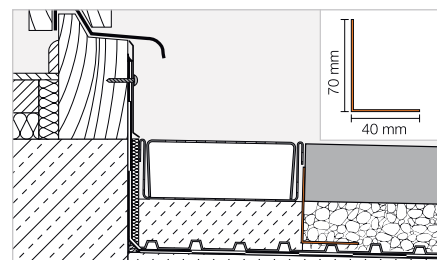
## Kiezelvangrand

### Schlüter®-TROBA-LINE-TLK-E



Schlüter-TROBA-LINE-TLK-E is een kiezelvangrand uit roestvast staal voor de begrenzing van de bekleding of lastverdelingslaag.

(Productdatablad 7.4)



#### Schlüter®-TROBA-LINE-TLK-E

Roestvast staal V2A

| L (cm) | Art.-No.        | € / St.      | KV (st.) |
|--------|-----------------|--------------|----------|
| 75     | TLKE 4070 / 75  | <b>43,01</b> | 40       |
| 100    | TLKE 4070 / 100 | <b>48,06</b> | 40       |

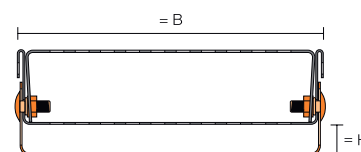
## Hoogteverstelling

### Schlüter®-TROBA-LINE-TL/H



Schlüter-TROBA-LINE-TL/H is een in de hoogte instelbaar element waarmee de geperforeerde drainagegoten Schlüter-TROBA-LINE-TL en -TLR in de hoogte 40 mm variabel worden uitgelijnd.

(Productdatablad 7.4)



#### Schlüter®-TROBA-LINE-TL/H

Hoogteregeling, B = 75 mm

| H (mm) | L = 135 mm<br>Art.-No. | € / Set      | KV (Set) |
|--------|------------------------|--------------|----------|
| 0-20   | TL2 H 75*              | <b>25,23</b> | 40       |
| 20-40  | TL4 H 75**             | <b>26,98</b> | 40       |

variabele hoogtes \* 0-20 mm / \*\* 20-40 mm

#### Schlüter®-TROBA-LINE-TL/H

Hoogteregeling, B = 110 mm

| H (mm) | L = 135 mm<br>Art.-No. | € / Set      | KV (Set) |
|--------|------------------------|--------------|----------|
| 0-20   | TL2 H 110*             | <b>26,90</b> | 40       |
| 20-40  | TL4 H 110**            | <b>28,67</b> | 40       |

Set met 4 schroeven

#### Schlüter®-TROBA-LINE-TL/H

Hoogteregeling, B = 160 mm

| H (mm) | L = 135 mm<br>Art.-No. | € / Set      | KV (Set) |
|--------|------------------------|--------------|----------|
| 0-20   | TL2 H 160*             | <b>29,37</b> | 40       |
| 20-40  | TL4 H 160**            | <b>31,13</b> | 40       |

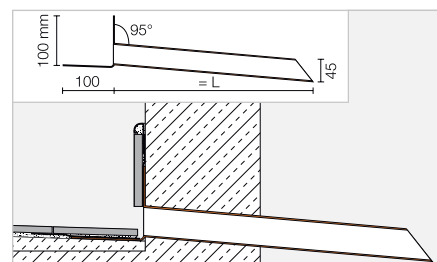
## Spuwer

### Schlüter®-KERDI-DRAIN-SP-E



Schlüter-KERDI-DRAIN-SP-E is een spuwer uit roestvast staal voor de afwatering van balkons en terrassen die door een borstwering worden begrensd. Op de grote kleefflens wordt de meegeleverde KERDI-manchet als afdichtingsaansluiting gelijkmd, waardoor een eenvoudige en betrouwbare verbinding van de contactafdichtingen verzekerd is.

(Productdatablad 8.5)



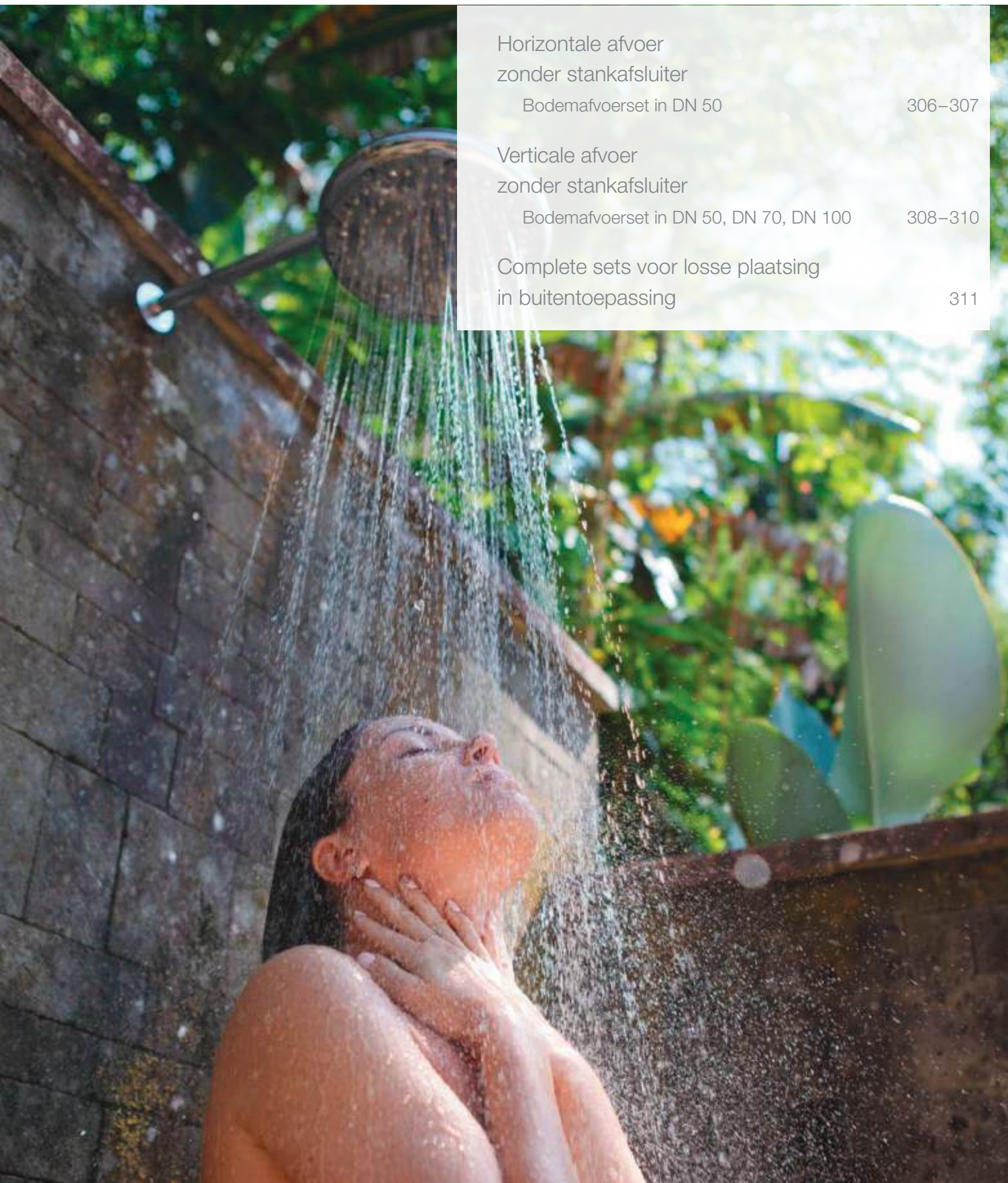
#### Schlüter®-KERDI-DRAIN-SP-E

Roestvast staal V2A

| L (cm) | Art.-No.     | € / Set       | P (set) |
|--------|--------------|---------------|---------|
| 25     | KD SPE 45/25 | <b>124,79</b> | 10      |
| 40     | KD SPE 45/40 | <b>132,59</b> | 10      |

# Schlüter®-KERDI-DRAIN

## Centrale afvoer in buitentoepassing



Horizontale afvoer  
zonder stankafsluiter

Bodemafvoerset in DN 50

306–307

Verticale afvoer  
zonder stankafsluiter

Bodemafvoerset in DN 50, DN 70, DN 100

308–310

Complete sets voor losse plaatsing  
in buitentoepassing

311



# Schlüter®-KERDI-DRAIN

## Horizontale afvoer zonder stankafsluiter

### Centrale afvoer in buitentoepassing



#### Rooster-/frameset

- 1 Roestvaststalen rooster met onderbouw
- 2 Hoogte-instelring

#### Bodemafoerset

- 3 Schlüter-KERDI manchet
- 4 Dunbed-opzetstuk
- 5 Inloopelement
- 6 Schlüter-TROBA-PLUS 8 drainagemanchet
- 7 Roestvaststalen flensring
- 8 Afvoerbehuizing met afdichtingsaansluiting

#### Opmerking:

De bodemafoerset en de rooster-/frameset moeten afzonderlijk worden besteld.

### Bijzonderheden van het rooster



De roosters voor alle bodemafoeren zijn uitgerust met een frameverlenging (met uitzondering van design 4) en een hoogteregeling. Deze roosters zijn niet voorzien van een stankafsluiter. Alle roosters zijn incl. vuilopvangzeef, met uitzondering van KD R10 ED4, KD R15 ED1 S, KD R15 ED1 SB en KD R15 ED1 SR.



### Rooster-design



Design 1  
CLASSIC



Design 1  
CLASSIC  
ROUND



Design 2  
TRAPEZOID



Design 3  
SQUARE



Design 4  
TILE

## DN 50

## Bodemafoerset



Art.-No.

€ / St.

KD BH 50 B

117,90

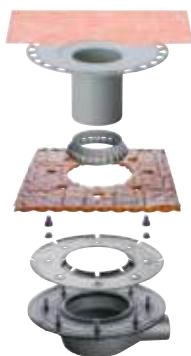


## Rooster-/frameset

|   | L x B (cm) | Art.-No.        | € / St. |
|---|------------|-----------------|---------|
| Design 1, roestvast staal met schroeven                       | 10 x 10    | KD R10 ED1 S    | 66,36   |
| Design 1, roestvast staal V4A met schroeven                   | 10 x 10    | KD R10 V4A D1 S | 82,94   |
| Design 1, roestvast staal                                     | 10 x 10    | KD R10 ED1      | 66,36   |
| Design 1, roestvast staal olie ingewreven brons met schroeven | 10 x 10    | KD R10 EOB D1 S | 94,24   |
| Design 1, roestvast staal met schroeven                       | 15 x 15    | KD R15 ED1 S    | 90,48   |
| Design 1, roestvast staal met schroeven (rond)                | 15 x 15    | KD R15 ED1 SR   | 90,48   |
| Design 2, roestvast staal geborsteld                          | 10 x 10    | KD R10 ED2      | 120,66  |
| Design 3, roestvast staal geborsteld                          | 10 x 10    | KD R10 ED3      | 120,66  |
| Design 4, roestvast staal                                     | 10 x 10    | KD R10 ED4      | 66,36   |

## DN 50

## Bodemafoerset



Art.-No.

€ / St.

KD BH 50 MSBB

230,20



## Rooster-/frameset

|   | L x B (cm) | Art.-No.        | € / St. |
|---|------------|-----------------|---------|
| Design 1, roestvast staal met schroeven                       | 10 x 10    | KD R10 ED1 S    | 66,36   |
| Design 1, roestvast staal V4A met schroeven                   | 10 x 10    | KD R10 V4A D1 S | 82,94   |
| Design 1, roestvast staal                                     | 10 x 10    | KD R10 ED1      | 66,36   |
| Design 1, roestvast staal olie ingewreven brons met schroeven | 10 x 10    | KD R10 EOB D1 S | 94,24   |
| Design 1, roestvast staal met schroeven                       | 15 x 15    | KD R15 ED1 S    | 90,48   |
| Design 1, roestvast staal met schroeven (rond)                | 15 x 15    | KD R15 ED1 SR   | 90,48   |
| Design 2, roestvast staal geborsteld                          | 10 x 10    | KD R10 ED2      | 120,66  |
| Design 3, roestvast staal geborsteld                          | 10 x 10    | KD R10 ED3      | 120,66  |
| Design 4, roestvast staal                                     | 10 x 10    | KD R10 ED4      | 66,36   |

**Opmerking:** Met afdichtingsaansluiting voor bitumen en kunststof stroken.

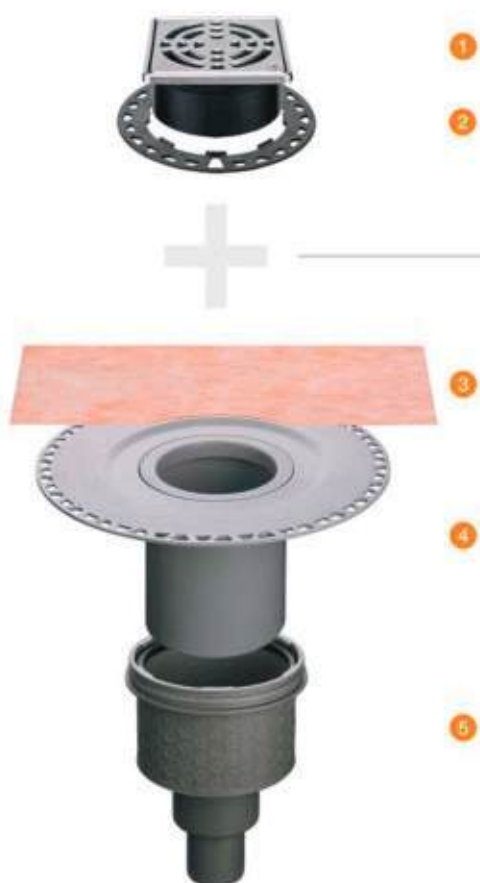
P = 10 stuks



# Schlüter®-KERDI-DRAIN

## Verticale afvoer zonder stankafsluiter

Centrale afvoer in buitentoepassing



### Rooster-/frameset

- 1 Roestvaststalen rooster met onderbouw
- 2 Hoogte-instelring

### Bodemafoerset

- 3 Schlüter-KERDI manchiet
- 4 Dunbed-opzetstuk
- 5 Afvoerbehuizing zonder stankafsluiter

#### Opmerking:

De bodemafoerset en de rooster-/frameset moeten afzonderlijk worden besteld.

Bijzonderheden van het rooster



De roosters voor alle bodemafoeren zijn uitgerust met een frameverlenging (met uitzondering van design 4) en een hoogteregeling. Deze roosters zijn niet voorzien van een stankafsluiter. Alle roosters zijn incl. vuilopvangzeef, met uitzondering van KD R10 ED4, KD R15 ED1 S, KD R15 ED1 SB en KD R15 ED1 SR.



Rooster-design



Design 1  
CLASSIC



Design 1  
CLASSIC  
ROUND



Design 2  
TRAPEZOID



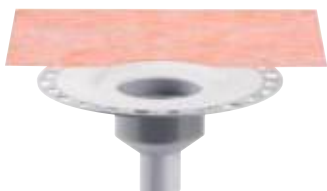
Design 3  
SQUARE



Design 4  
TILE

## DN 50

## Bodemafoerset

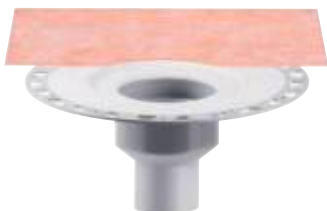


| Art.-No. | € / St. |
|----------|---------|
| KD BV 50 | 63,32   |

| Rooster-/frameset   | L x B (cm) | Art.-No.        | € / St. |
|---|------------|-----------------|---------|
| Design 1, roestvast staal met schroeven                       | 10 x 10    | KD R10 ED1 S    | 66,36   |
| Design 1, roestvast staal V4A met schroeven                   | 10 x 10    | KD R10 V4A D1 S | 82,94   |
| Design 1, roestvast staal                                     | 10 x 10    | KD R10 ED1      | 66,36   |
| Design 1, roestvast staal olie ingewreven brons met schroeven | 10 x 10    | KD R10 EOB D1 S | 94,24   |
| Design 1, roestvast staal met schroeven                       | 15 x 15    | KD R15 ED1 S    | 90,48   |
| Design 1, roestvast staal met schroeven (rond)                | 15 x 15    | KD R15 ED1 SR   | 90,48   |
| Design 2, roestvast staal geborsteld                          | 10 x 10    | KD R10 ED2      | 120,66  |
| Design 3, roestvast staal geborsteld                          | 10 x 10    | KD R10 ED3      | 120,66  |
| Design 4, roestvast staal                                     | 10 x 10    | KD R10 ED4      | 66,36   |

## DN 70

## Bodemafoerset



| Art.-No. | € / St. |
|----------|---------|
| KD BV 70 | 63,32   |

| Rooster-/frameset   | L x B (cm) | Art.-No.        | € / St. |
|---|------------|-----------------|---------|
| Design 1, roestvast staal met schroeven                       | 10 x 10    | KD R10 ED1 S    | 66,36   |
| Design 1, roestvast staal V4A met schroeven                   | 10 x 10    | KD R10 V4A D1 S | 82,94   |
| Design 1, roestvast staal                                     | 10 x 10    | KD R10 ED1      | 66,36   |
| Design 1, roestvast staal olie ingewreven brons met schroeven | 10 x 10    | KD R10 EOB D1 S | 94,24   |
| Design 1, roestvast staal met schroeven                       | 15 x 15    | KD R15 ED1 S    | 90,48   |
| Design 1, roestvast staal met schroeven (rond)                | 15 x 15    | KD R15 ED1 SR   | 90,48   |
| Design 2, roestvast staal geborsteld                          | 10 x 10    | KD R10 ED2      | 120,66  |
| Design 3, roestvast staal geborsteld                          | 10 x 10    | KD R10 ED3      | 120,66  |
| Design 4, roestvast staal                                     | 10 x 10    | KD R10 ED4      | 66,36   |

## DN 100

## Bodemafoerset



| Art.-No.  | € / St. |
|-----------|---------|
| KD BV 100 | 63,32   |

| Rooster-/frameset   | L x B (cm) | Art.-No.        | € / St. |
|---|------------|-----------------|---------|
| Design 1, roestvast staal met schroeven                       | 10 x 10    | KD R10 ED1 S    | 66,36   |
| Design 1, roestvast staal V4A met schroeven                   | 10 x 10    | KD R10 V4A D1 S | 82,94   |
| Design 1, roestvast staal                                     | 10 x 10    | KD R10 ED1      | 66,36   |
| Design 1, roestvast staal olie ingewreven brons met schroeven | 10 x 10    | KD R10 EOB D1 S | 94,24   |
| Design 1, roestvast staal met schroeven                       | 15 x 15    | KD R15 ED1 S    | 90,48   |
| Design 1, roestvast staal met schroeven (rond)                | 15 x 15    | KD R15 ED1 SR   | 90,48   |
| Design 2, roestvast staal geborsteld                          | 10 x 10    | KD R10 ED2      | 120,66  |
| Design 3, roestvast staal geborsteld                          | 10 x 10    | KD R10 ED3      | 120,66  |
| Design 4, roestvast staal                                     | 10 x 10    | KD R10 ED4      | 66,36   |

P = 10 stuks



# Schlüter®-KERDI-DRAIN

## Verticale afvoer zonder stankafsluiter

Centrale afvoer in buitentoepassing

DN 50

Bodemafvoerset



Art.-No.

KD BV 50 B

€ / St.

117,90



Rooster-/frameset

|   | L x B (cm) | Art.-No.        | € / St. |
|---|------------|-----------------|---------|
| Design 1, roestvast staal met schroeven                       | 10 x 10    | KD R10 ED1 S    | 66,36   |
| Design 1, roestvast staal V4A met schroeven                   | 10 x 10    | KD R10 V4A D1 S | 82,94   |
| Design 1, roestvast staal                                     | 10 x 10    | KD R10 ED1      | 66,36   |
| Design 1, roestvast staal olie ingewreven brons met schroeven | 10 x 10    | KD R10 E0B D1 S | 94,24   |
| Design 1, roestvast staal met schroeven                       | 15 x 15    | KD R15 ED1 S    | 90,48   |
| Design 1, roestvast staal met schroeven (rond)                | 15 x 15    | KD R15 ED1 SR   | 90,48   |
| Design 2, roestvast staal geborsteld                          | 10 x 10    | KD R10 ED2      | 120,66  |
| Design 3, roestvast staal geborsteld                          | 10 x 10    | KD R10 ED3      | 120,66  |
| Design 4, roestvast staal                                     | 10 x 10    | KD R10 ED4      | 66,36   |

DN 50

Bodemafvoerset



Art.-No.

KD BV 50 MSBB

€ / St.

230,20



Rooster-/frameset

|   | L x B (cm) | Art.-No.        | € / St. |
|---|------------|-----------------|---------|
| Design 1, roestvast staal met schroeven                       | 10 x 10    | KD R10 ED1 S    | 66,36   |
| Design 1, roestvast staal V4A met schroeven                   | 10 x 10    | KD R10 V4A D1 S | 82,94   |
| Design 1, roestvast staal                                     | 10 x 10    | KD R10 ED1      | 66,36   |
| Design 1, roestvast staal olie ingewreven brons met schroeven | 10 x 10    | KD R10 E0B D1 S | 94,24   |
| Design 1, roestvast staal met schroeven                       | 15 x 15    | KD R15 ED1 S    | 90,48   |
| Design 1, roestvast staal met schroeven (rond)                | 15 x 15    | KD R15 ED1 SR   | 90,48   |
| Design 2, roestvast staal geborsteld                          | 10 x 10    | KD R10 ED2      | 120,66  |
| Design 3, roestvast staal geborsteld                          | 10 x 10    | KD R10 ED3      | 120,66  |
| Design 4, roestvast staal                                     | 10 x 10    | KD R10 ED4      | 66,36   |

P = 10 stuks

**Opmerking:** Met afdichtingsaansluiting voor bitumen en kunststof stroken.

Rooster-design



Design 1  
CLASSIC



Design 1  
CLASSIC  
ROUND



Design 2  
TRAPEZOID



Design 3  
SQUARE



Design 4  
TILE

# Schlüter®-KERDI-DRAIN

## Complete sets voor losse plaatsing in buitentoepassing

Centrale afwatering | Horizontale afvoer

DN 50

**De set bevat:**

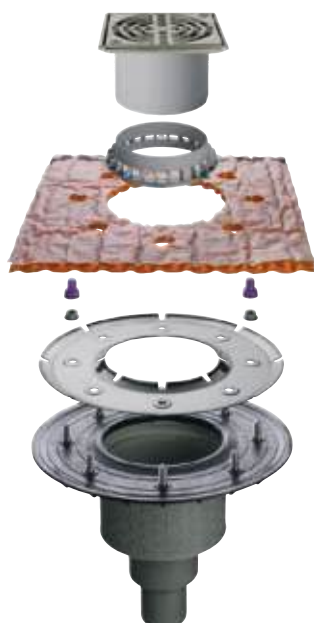
- Bodemafvoerset
- Afdichtingsaansluiting voor bitumen en kunststof stroken
- Opzetstuk voor losse plaatsing
- Rooster, design 1 (KD R15 ED1 S), roestvast staal met schroeven

| Art.-No.       | € / St. |
|----------------|---------|
| KD BH 50 ASLVB | 266,73  |

P = 10 stuks

Centrale afwatering | Verticale afvoer

DN 50

**De set bevat:**

- Bodemafvoerset
- Afdichtingsaansluiting voor bitumen en kunststof stroken
- Opzetstuk voor losse plaatsing
- Rooster, design 1 (KD R15 ED1 S), roestvast staal met schroeven

| Art.-No.       | € / St. |
|----------------|---------|
| KD BV 50 ASLVB | 266,73  |

P = 10 stuks



# Schlüter®-BARA

## Outdoor maatwerk

Schlüter-Systems biedt niet alleen voor elke situatie op balkons en terrassen de juiste opbouw. U kunt voor onze BARA-profielen ook kiezen uit maar liefst 5 standaard-coatings. Of – als bijzondere klantenservice – een individuele coating uit 190 RAL-classic kleuren. En bij een creatief ontwerp, bieden wij ook hoeken in speciale graden aan. Vraag het ons – wij maken op maat gemaakte producten.



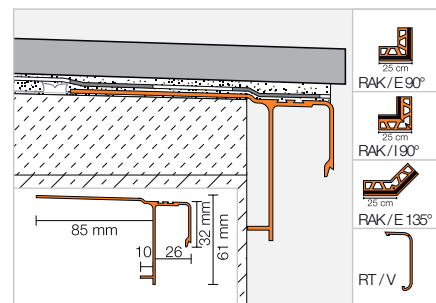
## Randprofiel



## Schlüter®-BARA-RAK



Schlüter-BARA-RAK is een balkonrandprofiel met druiprand van kleurgecoat aluminium. Het wordt aan de randen op een op voorhand aangebracht afschot gelegd en fungeert daar als randafsluiting en druiprand. (Productdatablad 5.5)



## Schlüter®-BARA-RAK

Alu. met kleurcoating

| L = 2,50 m<br>Art.-No. | €/ m  | KV (st.) |
|------------------------|-------|----------|
| RAK 50 ...*            | 38,37 | 40       |

**MyDesign by Schlüter-Systems**  
Individuele coating in  
190 RAL-Classic kleuren mogelijk.  
Meer info vanaf pagina 16.

## Hoek | Eindkapje | Verbindingsstuk

## Schlüter®-BARA-RAK/E 90°

Buitenhoek 90°

| Art.-No.          | €/ St. | P (st.) |
|-------------------|--------|---------|
| E90 / RAK 50 ...* | 52,09  | 10      |

## Schlüter®-BARA-RAK/E 135°

Buitenhoek 135°

| Art.-No.           | €/ St. | P (st.) |
|--------------------|--------|---------|
| E135 / RAK 50 ...* | 57,32  | 10      |

## Schlüter®-BARA-RAK/I 90°

Binnenhoek 90°

| Art.-No.          | €/ St. | P (st.) |
|-------------------|--------|---------|
| I90 / RAK 50 ...* | 52,09  | 10      |

## Schlüter®-BARA-RT/EK

Eindkapje

| Art.-No.       | €/ St. | P (st.) |
|----------------|--------|---------|
| E / RT 30 ...* | 3,25   | 50      |

## Schlüter®-BARA-RTK/V

Verbindingsstuk

| Art.-No.       | €/ St. | P (st.) |
|----------------|--------|---------|
| V / RT 30 ...* | 3,34   | 50      |

## Art.-No. kleur toevoegen (bijv. V / RT 30 SB)



\* Kleuren: AG - BW - GM - PG - SB

Een overzicht van de oppervlakken en kleuren vindt u vanaf pagina 342.

**Klantspecifieke hoeken verkrijgbaar**  
Meer info op pagina 341.

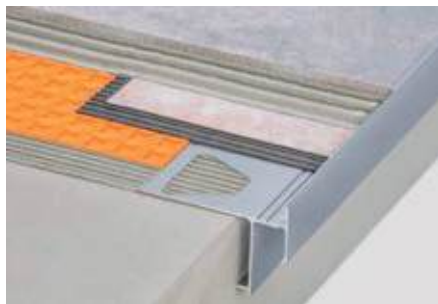
**Opmerking:**

Schlüter-BARA-RAK is niet bedoeld voor de montage van het gootsysteem Schlüter-BARIN. Door het boren van gaten (Ø 7 mm) is dit echter wel mogelijk.

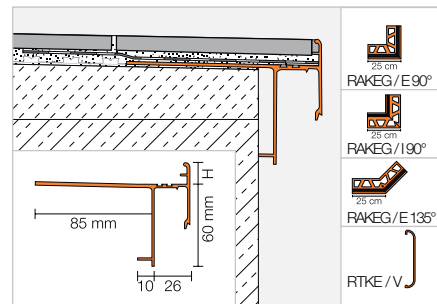


## Randprofiel

### Schlüter®-BARA-RAKEG



Schlüter-BARA-RAKEG is een randprofiel met druiprand voor de toepassing op een al op afschot aangebrachte dekvloer. Het is geschikt voor de constructieopbouw met de ontkoppelingsmat Schlüter-DITRA. Door de gesloten rand behoudt men een keurige tegelafsluiting.  
(Productdatablad 5.22)



### Schlüter®-BARA-RAKEG

Alu. met kleurcoating

| H (mm) | L = 2,50 m<br>Art.-No. | € / m | KV (st.) |
|--------|------------------------|-------|----------|
| 4      | RAKEG 4 ...*           | 41,83 | 40       |
| 10     | RAKEG 10 ...*          | 42,50 | 40       |
| 15     | RAKEG 15 ...*          | 45,74 | 40       |
| 18     | RAKEG 18 ...*          | 46,00 | 40       |
| 21     | RAKEG 21 ...*          | 46,57 | 40       |



## Hoek | Verbindingsstuk

### Schlüter®-BARA-RAKEG/E 90°

Buitenhoek 90°

| H (mm) | Art.-No.            | € / St. | P (st.) |
|--------|---------------------|---------|---------|
| 4      | E90 / RAKEG 4 ...*  | 58,39   | 10      |
| 10     | E90 / RAKEG 10 ...* | 58,39   | 10      |
| 15     | E90 / RAKEG 15 ...* | 58,39   | 10      |
| 18     | E90 / RAKEG 18 ...* | 58,39   | 10      |
| 21     | E90 / RAKEG 21 ...* | 58,39   | 10      |

### Schlüter®-BARA-RAKEG/E 135°

Buitenhoek 135°

| H (mm) | Art.-No.             | € / St. | P (st.) |
|--------|----------------------|---------|---------|
| 4      | E135 / RAKEG 4 ...*  | 58,39   | 10      |
| 10     | E135 / RAKEG 10 ...* | 58,39   | 10      |
| 15     | E135 / RAKEG 15 ...* | 58,39   | 10      |
| 18     | E135 / RAKEG 18 ...* | 58,39   | 10      |
| 21     | E135 / RAKEG 21 ...* | 58,39   | 10      |

### Schlüter®-BARA-RAKEG/I 90°

Binnenhoek 90°

| H (mm) | Art.-No.            | € / St. | P (st.) |
|--------|---------------------|---------|---------|
| 4      | I90 / RAKEG 4 ...*  | 58,39   | 10      |
| 10     | I90 / RAKEG 10 ...* | 58,39   | 10      |
| 15     | I90 / RAKEG 15 ...* | 58,39   | 10      |
| 18     | I90 / RAKEG 18 ...* | 58,39   | 10      |
| 21     | I90 / RAKEG 21 ...* | 58,39   | 10      |

### Schlüter®-BARA-RTKE/V

Verbindingsstuk

| H (mm) | Art.-No.         | € / St. | P (st.) |
|--------|------------------|---------|---------|
| 4      | V / RTKE 4 ...*  | 3,64    | 50      |
| 10     | V / RTKE 10 ...* | 3,64    | 50      |
| 15     | V / RTKE 15 ...* | 3,64    | 50      |
| 18     | V / RTKE 18 ...* | 3,64    | 50      |
| 21     | V / RTKE 21 ...* | 3,64    | 50      |



Art.-No. kleur toevoegen (bijv. V / RTKE 4 GM)



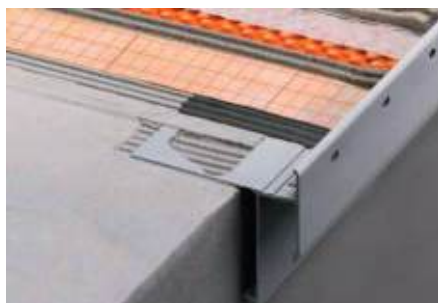
\* Kleuren: AG - BW - GM - PG - SB

Een overzicht van de oppervlakken en kleuren vindt u vanaf pagina 342.

## Randprofiel

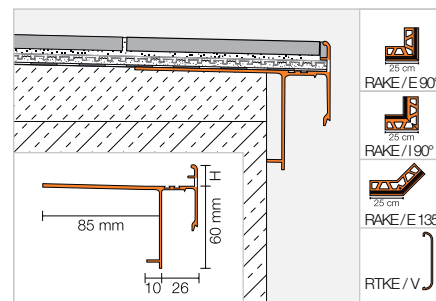


## Schlüter®-BARA-RAKE



Schlüter-BARA-RAKE is een randprofiel met druiprand voor de toepassing op een al op afschot aangebrachte dekvloer. Het profiel BARA-RAKE is bijzonder geschikt voor de constructieopbouw met de hechtende drainage Schlüter-DITRA-DRAIN. Door de geperforeerde rand behoudt men een keurige tegelafsluiting.

(Productdatablad 5.22)



## Schlüter®-BARA-RAKE

Alu. met kleurcoating

| H (mm) | L = 2,50 m<br>Art.-No. | € / m | KV (st.) |
|--------|------------------------|-------|----------|
| 10     | RAKE 10 ...*           | 53,43 | 40       |
| 15     | RAKE 15 ...*           | 56,62 | 40       |
| 18     | RAKE 18 ...*           | 56,87 | 40       |
| 21     | RAKE 21 ...*           | 57,46 | 40       |



## Hoek | Verbindingsstuk

## Schlüter®-BARA-RAKE/E 90°

Buitenhoek 90°

| H (mm) | Art.-No.           | € / St. | P (st.) |
|--------|--------------------|---------|---------|
| 10     | E90 / RAKE 10 ...* | 64,85   | 10      |
| 15     | E90 / RAKE 15 ...* | 64,85   | 10      |
| 18     | E90 / RAKE 18 ...* | 64,85   | 10      |
| 21     | E90 / RAKE 21 ...* | 64,85   | 10      |

## Schlüter®-BARA-RAKE/E 135°

Buitenhoek 135°

| H (mm) | Art.-No.            | € / St. | P (st.) |
|--------|---------------------|---------|---------|
| 10     | E135 / RAKE 10 ...* | 64,85   | 10      |
| 15     | E135 / RAKE 15 ...* | 64,85   | 10      |
| 18     | E135 / RAKE 18 ...* | 64,85   | 10      |
| 21     | E135 / RAKE 21 ...* | 64,85   | 10      |

## Schlüter®-BARA-RAKE/I 90°

Binnenhoek 90°

| H (mm) | Art.-No.           | € / St. | P (st.) |
|--------|--------------------|---------|---------|
| 10     | I90 / RAKE 10 ...* | 64,85   | 10      |
| 15     | I90 / RAKE 15 ...* | 64,85   | 10      |
| 18     | I90 / RAKE 18 ...* | 64,85   | 10      |
| 21     | I90 / RAKE 21 ...* | 64,85   | 10      |

## Schlüter®-BARA-RTKE/V

Verbindingsstuk

| H (mm) | Art.-No.         | € / St. | P (st.) |
|--------|------------------|---------|---------|
| 10     | V / RTKE 10 ...* | 3,64    | 50      |
| 15     | V / RTKE 15 ...* | 3,64    | 50      |
| 18     | V / RTKE 18 ...* | 3,64    | 50      |
| 21     | V / RTKE 21 ...* | 3,64    | 50      |



Art.-No. kleur toevoegen (bijv. V / RTKE 10 PG)

GM PG

\* Kleuren: GM - PG

Een overzicht van de oppervlakken en kleuren vindt u vanaf pagina 342.

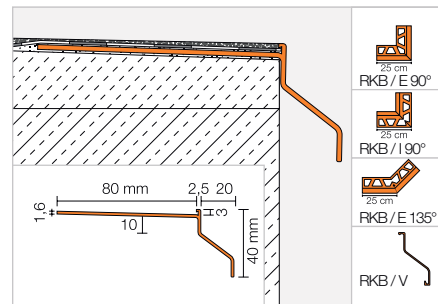


## Randprofiel

### Schlüter®-BARA-RKB



Schlüter-BARA-RKB is een T-vormig afsluit-profiel voor coatings. Het voorste afsluitvlak beschikt over een vooruitstekende druiprand. (Productdatablad 5.18)



#### Schlüter®-BARA-RKB

Alu. met kleurcoating

| L = 2,50 m<br>Art.-No. | € / m | KV (st.) |
|------------------------|-------|----------|
| RKB 3 ...*             | 30,49 | 40       |

**MyDesign by Schlüter-Systems**  
Individuele coating in  
190 RAL-Classic kleuren mogelijk.  
Meer info vanaf pagina 16.

## Hoek | Verbindingsstuk

#### Schlüter®-BARA-RKB/E 90°

Buitenhoek 90°

| Art.-No.         | € / St. | P (st.) |
|------------------|---------|---------|
| E90 / RKB 3 ...* | 40,83   | 10      |

#### Schlüter®-BARA-RKB/E 135°

Buitenhoek 135°

| Art.-No.          | € / St. | P (st.) |
|-------------------|---------|---------|
| E135 / RKB 3 ...* | 42,57   | 10      |

#### Schlüter®-BARA-RKB/I 90°

Binnenhoek 90°

| Art.-No.         | € / St. | P (st.) |
|------------------|---------|---------|
| I90 / RKB 3 ...* | 40,83   | 10      |

#### Schlüter®-BARA-RKB/V

Verbindingsstuk

| Art.-No.       | € / St. | P (st.) |
|----------------|---------|---------|
| V / RKB 3 ...* | 3,80    | 50      |

**Klantspecifieke hoeken verkrijgbaar**  
Meer info op pagina 341.

#### Art.-No. kleur toevoegen (bijv. V / RKB 3 GM)



\* Kleuren: AG - BW - GM - PG - SB

Een overzicht van de oppervlakken en kleuren vindt u vanaf pagina 342.

## Randprofiel

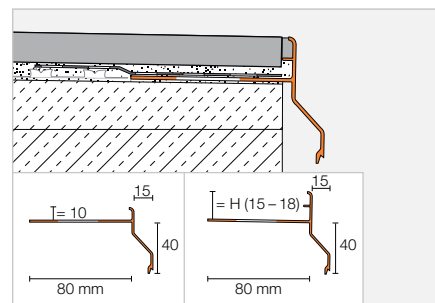


## Schlüter®-BARA-RKK



Schlüter-BARA-RKK is een T-vormig afsluit-profiel met korte druiprand voor de toepassing op een al op afschot aangebrachte dekvloer. Het is geschikt voor de constructieopbouw met contactafdichting Schlüter-DITRA. Door de gesloten rand behoudt men een keurige tegelafsluiting.

(Productdatablad 5.24)



## Schlüter®-BARA-RKK

Alu. met kleurcoating

| H (mm) | L = 2,50 m<br>Art.-No. | € / m | KV (st.) |
|--------|------------------------|-------|----------|
| 10     | RKK 10 ...*            | 33,11 | 40       |
| 15     | RKK 15 ...*            | 34,38 | 40       |
| 18     | RKK 18 ...*            | 35,39 | 40       |

**MyDesign by Schlüter-Systems**  
Individuele coating in  
190 RAL-Classic kleuren mogelijk.  
Meer info vanaf pagina 16.

## Hoek | Verbindingsstuk

## Schlüter®-BARA-RKK/E 90°

Buitenhoek 90°

| H (mm) | Art.-No.          | € / St. | P (st.) |
|--------|-------------------|---------|---------|
| 10     | E90 / RKK 10 ...* | 49,42   | 10      |
| 15     | E90 / RKK 15 ...* | 49,42   | 10      |
| 18     | E90 / RKK 18 ...* | 49,42   | 10      |

## Schlüter®-BARA-RKK/E 135°

Buitenhoek 135°

| H (mm) | Art.-No.           | € / St. | P (st.) |
|--------|--------------------|---------|---------|
| 10     | E135 / RKK 10 ...* | 49,42   | 10      |
| 15     | E135 / RKK 15 ...* | 49,42   | 10      |
| 18     | E135 / RKK 18 ...* | 49,42   | 10      |

## Schlüter®-BARA-RKK/I 90°

Binnenhoek 90°

| H (mm) | Art.-No.          | € / St. | P (st.) |
|--------|-------------------|---------|---------|
| 10     | I90 / RKK 10 ...* | 49,42   | 10      |
| 15     | I90 / RKK 15 ...* | 49,42   | 10      |
| 18     | I90 / RKK 18 ...* | 49,42   | 10      |

## Schlüter®-BARA-RKK/V

Verbindingsstuk

| H (mm) | Art.-No.        | € / St. | P (st.) |
|--------|-----------------|---------|---------|
| 10     | V / RKK 10 ...* | 3,80    | 50      |
| 15     | V / RKK 15 ...* | 3,80    | 50      |
| 18     | V / RKK 18 ...* | 3,80    | 50      |

**Klantspecifieke hoeken verkrijgbaar**  
Meer info op pagina 341.

Art.-No. kleur toevoegen (bijv. V / RKK 10 SB)



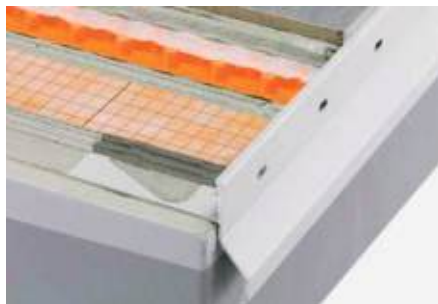
\* Kleuren: AG - BW - GM - PG - SB

Een overzicht van de oppervlakken en kleuren vindt u vanaf pagina 342.



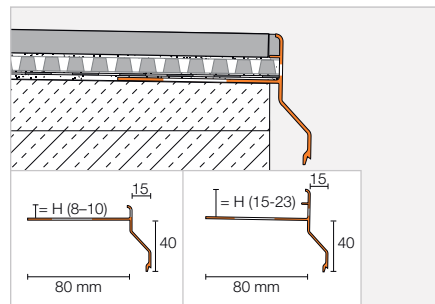
## Randprofiel

### Schlüter®-BARA-RKKE



Schlüter-BARA-RKKE is een T-vormig afsluit-profiel met korte druiprand voor de toepassing op een al op afschot aangebrachte dekvloer. Het profiel BARA-RKKE is bijzonder geschikt voor de constructieopbouw met hechtende drainage Schlüter-DITRA-DRAIN. Door de geperforeerde rand behoudt men een keurige tegelafsluiting.

(Productdatablad 5.24)



#### Schlüter®-BARA-RKKE

Alu. met kleurcoating

| H (mm) | L = 2,50 m<br>Art.-No. | € / m | KV (st.) |
|--------|------------------------|-------|----------|
| 8      | RKKE 8 ...*            | 42,36 | 40       |
| 10     | RKKE 10 ...*           | 43,27 | 40       |
| 15     | RKKE 15 ...*           | 45,28 | 40       |
| 18     | RKKE 18 ...*           | 47,09 | 40       |
| 21     | RKKE 21 ...*           | 49,57 | 40       |
| 23     | RKKE 23 ...*           | 51,30 | 40       |



#### Opmerking:

De profielhoogtes 21 en 23 mm zijn bedoeld voor gebruik met Schlüter-DITRA-DRAIN 8.

## Hoek | Verbindingsstuk

#### Schlüter®-BARA-RKKE/E 90°

Buitenhoek 90°

| H (mm) | Art.-No.           | € / St. | P (st.) |
|--------|--------------------|---------|---------|
| 8      | E90 / RKKE 8 ...*  | 54,69   | 10      |
| 10     | E90 / RKKE 10 ...* | 54,69   | 10      |
| 15     | E90 / RKKE 15 ...* | 54,69   | 10      |
| 18     | E90 / RKKE 18 ...* | 54,69   | 10      |
| 21     | E90 / RKKE 21 ...* | 54,69   | 10      |
| 23     | E90 / RKKE 23 ...* | 54,69   | 10      |

#### Schlüter®-BARA-RKKE/E 135°

Buitenhoek 135°

| H (mm) | Art.-No.            | € / St. | P (st.) |
|--------|---------------------|---------|---------|
| 8      | E135 / RKKE 8 ...*  | 54,69   | 10      |
| 10     | E135 / RKKE 10 ...* | 54,69   | 10      |
| 15     | E135 / RKKE 15 ...* | 54,69   | 10      |
| 18     | E135 / RKKE 18 ...* | 54,69   | 10      |
| 21     | E135 / RKKE 21 ...* | 54,69   | 10      |
| 23     | E135 / RKKE 23 ...* | 54,69   | 10      |

#### Schlüter®-BARA-RKKE/I 90°

Binnenhoek 90°

| H (mm) | Art.-No.           | € / St. | P (st.) |
|--------|--------------------|---------|---------|
| 8      | I90 / RKKE 8 ...*  | 54,69   | 10      |
| 10     | I90 / RKKE 10 ...* | 54,69   | 10      |
| 15     | I90 / RKKE 15 ...* | 54,69   | 10      |
| 18     | I90 / RKKE 18 ...* | 54,69   | 10      |
| 21     | I90 / RKKE 21 ...* | 54,69   | 10      |
| 23     | I90 / RKKE 23 ...* | 54,69   | 10      |

#### Schlüter®-BARA-RKK/V

Verbindingsstuk

| H (mm) | Art.-No.        | € / St. | P (st.) |
|--------|-----------------|---------|---------|
| 8      | V / RKK 8 ...*  | 3,80    | 50      |
| 10     | V / RKK 10 ...* | 3,80    | 50      |
| 15     | V / RKK 15 ...* | 3,80    | 50      |
| 18     | V / RKK 18 ...* | 3,80    | 50      |
| 21     | V / RKK 21 ...* | 3,80    | 50      |
| 23     | V / RKK 23 ...* | 3,80    | 50      |



#### Art.-No. kleur toevoegen (bijv. V / RKK 8 PG)



\* Kleuren: GM - PG - SB

Een overzicht van de oppervlakken en kleuren vindt u vanaf pagina 342.

## Randprofiel

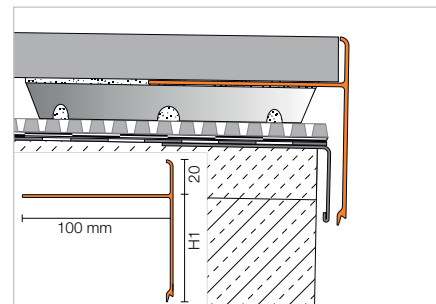


## Schlüter®-BARA-RTC



Schlüter-BARA-RTC is een T-vormig afsluit-profiel van kleurgecoat aluminium om open randen van balkons en terrassen af te dekken. Het is bij uitstek geschikt om tegels van 20 mm in combinatie met tegeldragers van de Schlüter-TROBA-serie te plaatsen. Het bovenste afsluitvlak beschermt de rand van de tegels terwijl het onderste afsluitvlak de verhoogde opbouw afdekt en als druiprand dient.

(Productdatablad 5.19)



## Schlüter®-BARA-RTC

Alu. met kleurcoating

| H/H1 (mm) | L = 2,50 m<br>Art.-No. | € / m        | KV (st.) |
|-----------|------------------------|--------------|----------|
| 20/20     | RTC 20/20 ...*         | <b>35,36</b> | 40       |
| 20/40     | RTC 20/40 ...*         | <b>37,41</b> | 40       |
| 20/50     | RTC 20/50 ...*         | <b>41,51</b> | 40       |
| 20/60     | RTC 20/60 ...*         | <b>43,05</b> | 40       |
| 20/80     | RTC 20/80 ...*         | <b>45,10</b> | 40       |
| 20/100    | RTC 20/100 ...*        | <b>49,20</b> | 40       |



## Hoek | Verbindingsstuk

## Schlüter®-BARA-RTC/E 90°

Buitenhoek 90°

| H/H1 (mm) | Art.-No.              | € / St.      | P (st.) |
|-----------|-----------------------|--------------|---------|
| 20/20     | E90 / RTC 20/20 ...*  | <b>52,20</b> | 10      |
| 20/40     | E90 / RTC 20/40 ...*  | <b>54,29</b> | 10      |
| 20/50     | E90 / RTC 20/50 ...*  | <b>55,34</b> | 10      |
| 20/60     | E90 / RTC 20/60 ...*  | <b>56,37</b> | 10      |
| 20/80     | E90 / RTC 20/80 ...*  | <b>58,46</b> | 10      |
| 20/100    | E90 / RTC 20/100 ...* | <b>60,55</b> | 10      |

## Schlüter®-BARA-RTC/V

Verbindingsstuk

| H/H1 (mm) | Art.-No.            | € / St.     | P (st.) |
|-----------|---------------------|-------------|---------|
| 20/20     | V / RTC 20/20 ...*  | <b>7,31</b> | 50      |
| 20/40     | V / RTC 20/40 ...*  | <b>7,31</b> | 50      |
| 20/50     | V / RTC 20/50 ...*  | <b>7,31</b> | 50      |
| 20/60     | V / RTC 20/60 ...*  | <b>7,31</b> | 50      |
| 20/80     | V / RTC 20/80 ...*  | <b>7,31</b> | 50      |
| 20/100    | V / RTC 20/100 ...* | <b>7,31</b> | 50      |



## Art.-No. kleur toevoegen (bijv. V / RTC 20/20 BW)



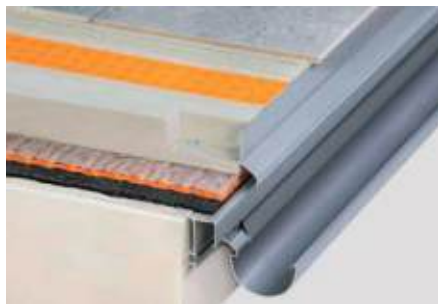
\* Kleuren: AG - BW - GM - PG - SB

Een overzicht van de oppervlakken en kleuren vindt u vanaf pagina 342.



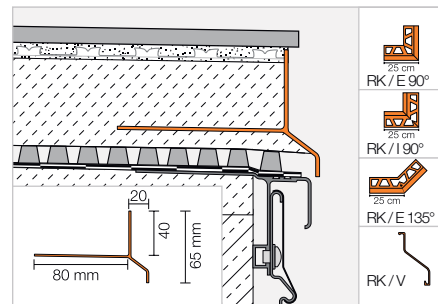
## Randprofiel

### Schlüter®-BARA-RK



Schlüter-BARA-RK is een T-vormig afsluitprofiel. Door de vooruitstekende druiprand wordt de open ruimte naar de TROBA-oppervlakte-drainage afgedekt.

(Productdatablad 5.4)



#### Schlüter®-BARA-RK

Alu. met kleurcoating

| L = 2,50 m<br>Art.-No. | € / m | KV (st.) |
|------------------------|-------|----------|
| RK 65 ...*             | 33,47 | 40       |

**MyDesign by Schlüter-Systems**  
Individuele coating in  
190 RAL-Classic kleuren mogelijk.  
Meer info vanaf pagina 16.

## Hoek | Verbindingsstuk

#### Schlüter®-BARA-RK/E 90°

Buitenhoek 90°

| Art.-No.         | € / St. | P (st.) |
|------------------|---------|---------|
| E90 / RK 65 ...* | 44,02   | 10      |

#### Schlüter®-BARA-RK/E 135°

Buitenhoek 135°

| Art.-No.          | € / St. | P (st.) |
|-------------------|---------|---------|
| E135 / RK 65 ...* | 48,55   | 10      |

#### Schlüter®-BARA-RK/I 90°

Binnenhoek 90°

| Art.-No.         | € / St. | P (st.) |
|------------------|---------|---------|
| I90 / RK 65 ...* | 44,02   | 10      |

#### Schlüter®-BARA-RK/V

Verbindingsstuk

| Art.-No.       | € / St. | P (st.) |
|----------------|---------|---------|
| V / RK 65 ...* | 3,80    | 50      |

**Klantspecifieke hoeken verkrijgbaar**  
Meer info op pagina 341.

#### Art.-No. kleur toevoegen (bijv. V / RK 65 GM)



\* Kleuren: BW - GM - PG - SB

Een overzicht van de oppervlakken en kleuren vindt u vanaf pagina 342.

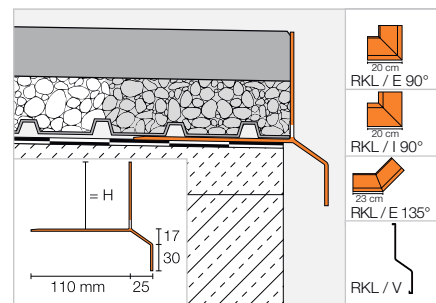
## Randprofiel



## Schlüter®-BARA-RKL



Schlüter-BARA-RKL is een hoekvormig randprofiel met afwateringsopeningen uit kleurgecoat aluminium. Het leent zich voor grootformaat plaatelmente die naar keuze op lagen ongebonden grind/split of op tegel-dragers worden gelegd. (Productdatablad 5.20)



## Schlüter®-BARA-RKL

Alu. met kleurcoating

| H (mm) | L = 2,50 m<br>Art.-No. | € / m        | KV (st.) |
|--------|------------------------|--------------|----------|
| 30     | RKL 30 ...*            | <b>54,55</b> | 40       |
| 35     | RKL 35 ...*            | <b>57,19</b> | 40       |
| 40     | RKL 40 ...*            | <b>59,85</b> | 40       |
| 50     | RKL 50 ...*            | <b>61,42</b> | 40       |
| 75     | RKL 75 ...*            | <b>64,56</b> | 40       |

**Opmerking:**

Schlüter-BARA-RKL 35 en 40 zijn bijzonder geschikt voor 2 cm dikke tegelelementen.



## Hoek | Verbindingsstuk

## Schlüter®-BARA-RKL/E 90°

Buitenhoek 90°

| H (mm) | Art.-No.          | € / St.      | P (st.) |
|--------|-------------------|--------------|---------|
| 30     | E90 / RKL 30 ...* | <b>87,64</b> | 10      |
| 35     | E90 / RKL 35 ...* | <b>87,64</b> | 10      |
| 40     | E90 / RKL 40 ...* | <b>87,64</b> | 10      |
| 50     | E90 / RKL 50 ...* | <b>87,64</b> | 10      |
| 75     | E90 / RKL 75 ...* | <b>87,64</b> | 10      |

## Schlüter®-BARA-RKL/E 135°

Buitenhoek 135°

| H (mm) | Art.-No.           | € / St.      | P (st.) |
|--------|--------------------|--------------|---------|
| 30     | E135 / RKL 30 ...* | <b>87,64</b> | 10      |
| 35     | E135 / RKL 35 ...* | <b>87,64</b> | 10      |
| 40     | E135 / RKL 40 ...* | <b>87,64</b> | 10      |
| 50     | E135 / RKL 50 ...* | <b>87,64</b> | 10      |
| 75     | E135 / RKL 75 ...* | <b>87,64</b> | 10      |

## Schlüter®-BARA-RKL/I 90°

Binnenhoek 90°

| H (mm) | Art.-No.          | € / St.      | P (st.) |
|--------|-------------------|--------------|---------|
| 30     | I90 / RKL 30 ...* | <b>87,64</b> | 10      |
| 35     | I90 / RKL 35 ...* | <b>87,64</b> | 10      |
| 40     | I90 / RKL 40 ...* | <b>87,64</b> | 10      |
| 50     | I90 / RKL 50 ...* | <b>87,64</b> | 10      |
| 75     | I90 / RKL 75 ...* | <b>87,64</b> | 10      |

## Schlüter®-BARA-RKL/V

Verbindingsstuk

| H (mm) | Art.-No.        | € / St.     | P (st.) |
|--------|-----------------|-------------|---------|
| 30     | V / RKL 30 ...* | <b>7,29</b> | 50      |
| 35     | V / RKL 35 ...* | <b>7,29</b> | 50      |
| 40     | V / RKL 40 ...* | <b>7,29</b> | 50      |
| 50     | V / RKL 50 ...* | <b>7,29</b> | 50      |
| 75     | V / RKL 75 ...* | <b>7,29</b> | 50      |



## Art.-No. kleur toevoegen (bijv. V / RKL 30 GM)



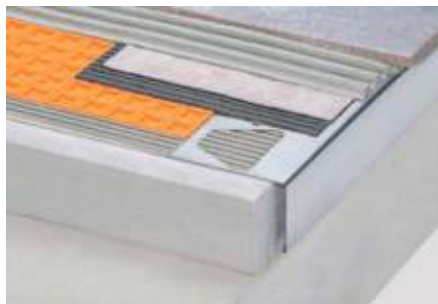
\* Kleuren: AG - BW - GM - PG - SB

Een overzicht van de oppervlakken en kleuren vindt u vanaf pagina 342.



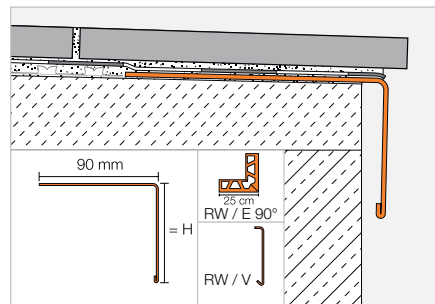
## Randprofiel

### Schlüter®-BARA-RW



Schlüter-BARA-RW is een hoekvormig afsluitprofiel van roestvast staal of kleurgecoat aluminium en is bedoeld voor de begrenzing van de onafgewerkte randen van balkons en terrassen.

(Productdatablad 5.3)



#### Schlüter®-BARA-RW



Alu. met kleurcoating

| H (mm) | L = 2,50 m<br>Art.-No. | € / m | KV (st.) |
|--------|------------------------|-------|----------|
| 15     | RW 15 ...*             | 20,93 | 40       |
| 25     | RW 25 ...*             | 22,17 | 40       |
| 30     | RW 30 ...*             | 22,73 | 40       |
| 40     | RW 40 ...*             | 24,48 | 40       |
| 55     | RW 55 ...*             | 26,67 | 40       |
| 75     | RW 75 ...*             | 29,70 | 40       |
| 95     | RW 95 ...*             | 32,74 | 40       |
| 120    | RW 120 ...*            | 41,01 | 40       |
| 150    | RW 150 ...*            | 45,60 | 40       |

#### Schlüter®-BARA-RW-E



Roestvast staal V2A

| H (mm) | L = 2,50 m<br>Art.-No. | € / m | KV (st.) |
|--------|------------------------|-------|----------|
| 15     | RW 15 E                | 33,97 | 40       |
| 25     | RW 25 E                | 35,30 | 40       |
| 30     | RW 30 E                | 37,20 | 40       |
| 40     | RW 40 E                | 39,22 | 40       |
| 55     | RW 55 E                | 43,11 | 40       |
| 75     | RW 75 E                | 48,43 | 40       |
| 95     | RW 95 E                | 53,62 | 40       |
| 120    | RW 120 E               | 60,21 | 40       |
| 150    | RW 150 E               | 68,10 | 40       |

## Hoek | Verbindingsstuk

#### Schlüter®-BARA-RW/E 90°

Buitenhoek 90° alu. met kleurcoating

| H (mm) | Art.-No.          | € / St. | P (st.) |
|--------|-------------------|---------|---------|
| 15     | E90 / RW 15 ...*  | 29,48   | 10      |
| 25     | E90 / RW 25 ...*  | 30,18   | 10      |
| 30     | E90 / RW 30 ...*  | 30,85   | 10      |
| 40     | E90 / RW 40 ...*  | 31,54   | 10      |
| 55     | E90 / RW 55 ...*  | 32,99   | 10      |
| 75     | E90 / RW 75 ...*  | 34,73   | 10      |
| 95     | E90 / RW 95 ...*  | 36,52   | 10      |
| 120    | E90 / RW 120 ...* | 50,04   | 10      |
| 150    | E90 / RW 150 ...* | 52,73   | 10      |

#### Schlüter®-BARA-RW-E/E 90°

Buitenhoek 90° roestvast staal V2A

| H (mm) | Art.-No.       | € / St. | P (st.) |
|--------|----------------|---------|---------|
| 15     | E90 / RW 15 E  | 42,17   | 10      |
| 25     | E90 / RW 25 E  | 43,08   | 10      |
| 30     | E90 / RW 30 E  | 44,37   | 10      |
| 40     | E90 / RW 40 E  | 45,76   | 10      |
| 55     | E90 / RW 55 E  | 48,45   | 10      |
| 75     | E90 / RW 75 E  | 52,06   | 10      |
| 95     | E90 / RW 95 E  | 65,05   | 10      |
| 120    | E90 / RW 120 E | 69,44   | 10      |
| 150    | E90 / RW 150 E | 74,81   | 10      |

#### Schlüter®-BARA-RW/V

Verbindingsstuk alu. met kleurcoating

| H (mm) | Art.-No.        | € / St. | P (st.) |
|--------|-----------------|---------|---------|
| 15     | V / RW 15 ...*  | 6,51    | 50      |
| 25     | V / RW 25 ...*  | 6,51    | 50      |
| 30     | V / RW 30 ...*  | 6,51    | 50      |
| 40     | V / RW 40 ...*  | 6,51    | 50      |
| 55     | V / RW 55 ...*  | 6,51    | 50      |
| 75     | V / RW 75 ...*  | 7,76    | 50      |
| 95     | V / RW 95 ...*  | 7,76    | 50      |
| 120    | V / RW 120 ...* | 7,76    | 50      |
| 150    | V / RW 150 ...* | 7,76    | 50      |

#### Schlüter®-BARA-RW-E/V

Verbindingsstuk roestvast staal V2A

| H (mm) | Art.-No.     | € / St. | P (st.) |
|--------|--------------|---------|---------|
| 15     | V / RW 15 E  | 7,77    | 50      |
| 25     | V / RW 25 E  | 7,77    | 50      |
| 30     | V / RW 30 E  | 7,77    | 50      |
| 40     | V / RW 40 E  | 7,77    | 50      |
| 55     | V / RW 55 E  | 7,77    | 50      |
| 75     | V / RW 75 E  | 9,29    | 50      |
| 95     | V / RW 95 E  | 9,29    | 50      |
| 120    | V / RW 120 E | 9,29    | 50      |
| 150    | V / RW 150 E | 9,29    | 50      |

Art.-No. kleur toevoegen (bijv. V / RW 15 PG)

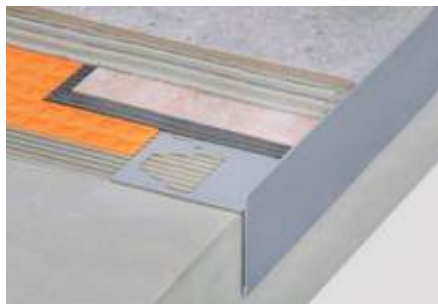


\* Kleuren: AG - BW - GM - PG - SB

Een overzicht van de oppervlakken en kleuren vindt u vanaf pagina 342.

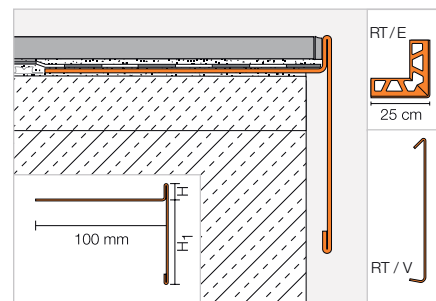
## Randprofiel

## Schlüter®-BARA-RT



Schlüter-BARA-RT is een T-vormig randprofiel van kleurgecoat aluminium voor het begrenzen van de open randruimte aan balkons en terrassen. Het bovenste afsluitvlak dekt de rand van de bekleding af, het onderste vormt een druiprand en verbergt eventueel de overgangsruimte naar de TROBA-oppervlakedrainage.

(Productdatablad 5.19)



## Schlüter®-BARA-RT



Alu. met kleurcoating

| H/H1 (mm) | L = 2,50 m<br>Art.-No. | € / m | KV (st.) |
|-----------|------------------------|-------|----------|
| 9/60      | RT 9/60 ...*           | 40,34 | 40       |
| 12/16     | RT 12/16 ...*          | 35,30 | 40       |
| 12/65     | RT 12/65 ...*          | 40,34 | 40       |
| 20/50     | RT 20/50 ...*          | 40,34 | 40       |
| 25/40     | RT 25/40 ...*          | 40,34 | 40       |
| 30/35     | RT 30/35 ...*          | 41,09 | 40       |

## Hoek | Verbindingsstuk

## Schlüter®-BARA-RT/E 90°

Buitenhoek 90°

| H/H1 (mm) | Art.-No.            | € / St. | P (st.) |
|-----------|---------------------|---------|---------|
| 9/60      | E90 / RT 9/60 ...*  | 45,19   | 10      |
| 12/16     | E90 / RT 12/16 ...* | 41,27   | 10      |
| 12/65     | E90 / RT 12/65 ...* | 45,19   | 10      |
| 20/50     | E90 / RT 20/50 ...* | 45,19   | 10      |
| 25/40     | E90 / RT 25/40 ...* | 45,19   | 10      |
| 30/35     | E90 / RT 30/35 ...* | 45,46   | 10      |

## Schlüter®-BARA-RT/V

Verbindingsstuk

| H/H1 (mm) | Art.-No.          | € / St. | P (st.) |
|-----------|-------------------|---------|---------|
| 9/60      | V / RT 9/60 ...*  | 7,76    | 50      |
| 12/16     | V / RT 12/16 ...* | 6,51    | 50      |
| 12/65     | V / RT 12/65 ...* | 7,76    | 50      |
| 20/50     | V / RT 20/50 ...* | 7,76    | 50      |
| 25/40     | V / RT 25/40 ...* | 7,76    | 50      |
| 30/35     | V / RT 30/35 ...* | 7,76    | 50      |

## Art.-No. kleur toevoegen (bijv. V / RT 9/60 GM)



\* Kleuren: AG - BW - GM - PG - SB

Een overzicht van de oppervlakken en kleuren vindt u vanaf pagina 342.



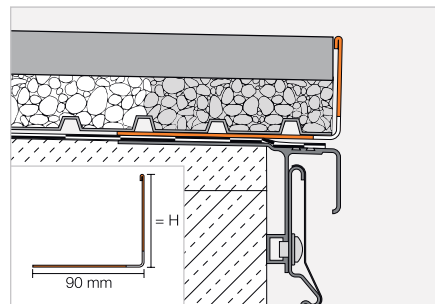
## Randprofiel

### Schlüter®-BARA-RWL



Schlüter-BARA-RWL is een uit kleurgecoat aluminium vervaardigd randprofiel met afwateringsopeningen voor de randen van balkons en terrassen. Het is uitermate geschikt voor de afsluiting van balkon- en terrasvloeren die los op grind of op tegel dragers worden gelegd.

(Productdatablad 5.15)



#### Schlüter®-BARA-RWL



Alu. met kleurcoating

| H (mm) | L = 2,50 m<br>Art.-No. | € / m | KV (st.) |
|--------|------------------------|-------|----------|
| 15     | RWL 15 ...*            | 20,93 | 40       |
| 25     | RWL 25 ...*            | 22,17 | 40       |
| 30     | RWL 30 ...*            | 22,73 | 40       |
| 40     | RWL 40 ...*            | 24,48 | 40       |
| 55     | RWL 55 ...*            | 26,67 | 40       |
| 75     | RWL 75 ...*            | 29,70 | 40       |
| 95     | RWL 95 ...*            | 32,74 | 40       |
| 120    | RWL 120 ...*           | 41,01 | 40       |
| 150    | RWL 150 ...*           | 45,60 | 40       |

#### Opmerking:

Voor passende buitenhoeken en verbindingstukken zie Schlüter-BARA-RW.

Art.-No. kleur toevoegen (bijv. RWL 15 PG)



\* Kleuren: AG - BW - GM - PG - SB

Een overzicht van de oppervlakken en kleuren vindt u vanaf pagina 342.

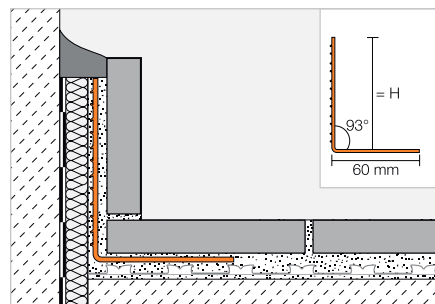
## Plintdraagprofiel

### Schlüter®-BARA-ESOT



Schlüter-BARA-ESOT is een plintdraagprofiel uit roestvast staal, dat kan toegepast worden, wanneer voor plinttegels geen draagkrachtige ondergrond voorhanden is.

(Productdatablad 5.1)



#### Schlüter®-BARA-ESOT

Roestvast staal V2A

| H (mm) | L = 2,50 m<br>Art.-No. | € / m | KV (st.) |
|--------|------------------------|-------|----------|
| 60     | ESOT 60                | 20,34 | 60       |
| 110    | ESOT 110               | 26,43 | 60       |

# Schlüter®-BARA en Schlüter®-BARIN

## Een perfect afgestemd duo voor balkonranden

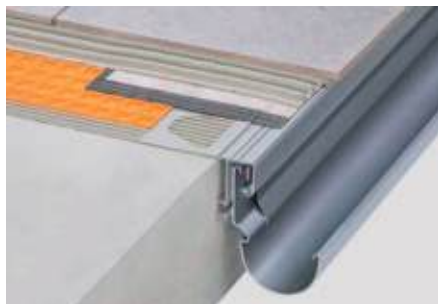
De balkonrandprofielen Schlüter-BARA zorgen niet alleen voor een passende en duurzame randafwerking van balkon- en terrasconstructies; ze vormen tegelijkertijd de basis voor het gootsysteem Schlüter-BARIN. Veel BARA-profielen zijn daarom uitgerust met een bevestigingssysteem voor de eenvoudige en stevige montage van de BARIN-afwatering. Zo ontstaat een functioneel doordacht totaalsysteem dat er mooi uitziet en technisch sterk is.





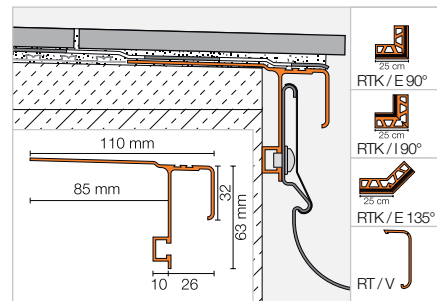
## Randprofiel voor gootbevestiging

### Schlüter®-BARA-RTK



Schlüter-BARA-RTK is een randprofiel met druiprand voor plaatsing op een al of op afschot aangebrachte dekvloer. Het profiel heeft een zodanige vormgeving geschikt voor de montage van het gootsysteem Schlüter-BARIN. De tegels kunnen met oversteek worden geplaatst. Als alternatief kan op de verdiepte overgang naar de druiprand een Schlüter-JOLLY als tegelafsluiting worden aangebracht.

(Productdatablad 5.9)



### Schlüter®-BARA-RTK

Alu. met kleurcoating

| L = 2,50 m<br>Art.-No. | € / m | KV (st.) |
|------------------------|-------|----------|
| RTK 30 ...*            | 44,59 | 40       |

## Hoek | Eindkapje | Verbindingsstuk

### Schlüter®-BARA-RTK/E 90°

Buitenhoek 90°

| Art.-No.          | € / St. | P (st.) |
|-------------------|---------|---------|
| E90 / RTK 30 ...* | 56,63   | 10      |

### Schlüter®-BARA-RTK/E 135°

Buitenhoek 135°

| Art.-No.           | € / St. | P (st.) |
|--------------------|---------|---------|
| E135 / RTK 30 ...* | 62,34   | 10      |

### Schlüter®-BARA-RTK/I 90°

Binnenhoek 90°

| Art.-No.          | € / St. | P (st.) |
|-------------------|---------|---------|
| I90 / RTK 30 ...* | 56,63   | 10      |

### Schlüter®-BARA-RT/EK

Eindkapje

| Art.-No.       | € / St. | P (st.) |
|----------------|---------|---------|
| E / RT 30 ...* | 3,25    | 50      |

### Schlüter®-BARA-RTK/V

Verbindingsstuk

| Art.-No.       | € / St. | P (st.) |
|----------------|---------|---------|
| V / RT 30 ...* | 3,34    | 50      |

Klantspecifieke hoeken verkrijgbaar  
Meer info op pagina 341.

### Art.-No. kleur toevoegen (bijv. V / RT 30 SB)



\* Kleuren: BW - GM - PG - SB

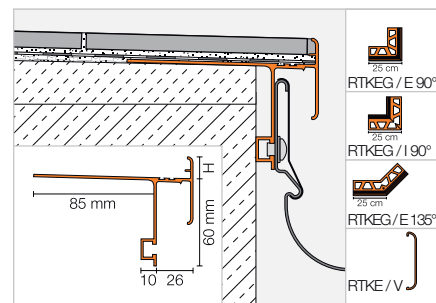
Een overzicht van de oppervlakken en kleuren vindt u vanaf pagina 342.

## Randprofiel voor gootbevestiging

## Schlüter®-BARA-RTKEG



Schlüter-BARA-RTKEG is een randprofiel met druiprand voor de toepassing op een al op afschot aangebrachte dekvloer. Het profiel heeft een zodanige vormgeving geschikt voor de montage van het gootsysteem Schlüter-BARIN. Het is geschikt voor de constructie-opbouw met de ontkoppelingsmat Schlüter-DITRA. Door de gesloten rand behoudt men een keurige tegelafsluiting. (Productdatablad 5.21)



## Schlüter®-BARA-RTKEG

Alu. met kleurcoating

| H (mm) | L = 2,50 m<br>Art.-No. | € / m | KV (st.) |
|--------|------------------------|-------|----------|
| 4      | RTKEG 4 ...*           | 42,29 | 40       |
| 10     | RTKEG 10 ...*          | 42,85 | 40       |
| 15     | RTKEG 15 ...*          | 43,60 | 40       |
| 18     | RTKEG 18 ...*          | 45,08 | 40       |
| 21     | RTKEG 21 ...*          | 46,18 | 40       |

## Hoek | Verbindingsstuk

## Schlüter®-BARA-RTKEG/E 90°

Buitenhoek 90°

| H (mm) | Art.-No.            | € / St. | P (st.) |
|--------|---------------------|---------|---------|
| 4      | E90 / RTKEG 4 ...*  | 58,54   | 10      |
| 10     | E90 / RTKEG 10 ...* | 58,54   | 10      |
| 15     | E90 / RTKEG 15 ...* | 58,54   | 10      |
| 18     | E90 / RTKEG 18 ...* | 58,54   | 10      |
| 21     | E90 / RTKEG 21 ...* | 58,54   | 10      |

## Schlüter®-BARA-RTKEG/E 135°

Buitenhoek 135°

| H (mm) | Art.-No.             | € / St. | P (st.) |
|--------|----------------------|---------|---------|
| 4      | E135 / RTKEG 4 ...*  | 58,54   | 10      |
| 10     | E135 / RTKEG 10 ...* | 58,54   | 10      |
| 15     | E135 / RTKEG 15 ...* | 58,54   | 10      |
| 18     | E135 / RTKEG 18 ...* | 58,54   | 10      |
| 21     | E135 / RTKEG 21 ...* | 58,54   | 10      |

## Schlüter®-BARA-RTKEG/I 90°

Binnenhoek 90°

| H (mm) | Art.-No.            | € / St. | P (st.) |
|--------|---------------------|---------|---------|
| 4      | I90 / RTKEG 4 ...*  | 58,54   | 10      |
| 10     | I90 / RTKEG 10 ...* | 58,54   | 10      |
| 15     | I90 / RTKEG 15 ...* | 58,54   | 10      |
| 18     | I90 / RTKEG 18 ...* | 58,54   | 10      |
| 21     | I90 / RTKEG 21 ...* | 58,54   | 10      |

## Schlüter®-BARA-RTKE/V

Verbindingsstuk

| H (mm) | Art.-No.         | € / St. | P (st.) |
|--------|------------------|---------|---------|
| 4      | V / RTKE 4 ...*  | 3,64    | 50      |
| 10     | V / RTKE 10 ...* | 3,64    | 50      |
| 15     | V / RTKE 15 ...* | 3,64    | 50      |
| 18     | V / RTKE 18 ...* | 3,64    | 50      |
| 21     | V / RTKE 21 ...* | 3,64    | 50      |

 Klantspecifieke hoeken verkrijgbaar  
Meer info op pagina 341.

Art.-No. kleur toevoegen (bijv. V / RTKE 4 PG)

GM PG

\* Kleuren: GM - PG

Een overzicht van de oppervlakken en kleuren vindt u vanaf pagina 342.

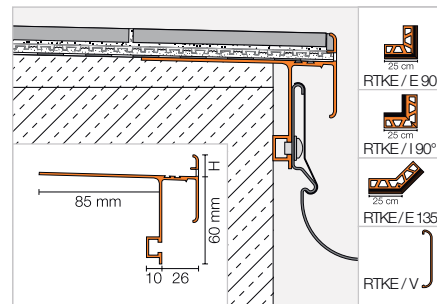


## Randprofiel voor gootbevestiging

### Schlüter®-BARA-RTKE



Schlüter-BARA-RTKE is een randprofiel met druiprand voor de toepassing op een al op afschot aangebrachte dekvloer. Het profiel heeft een zodanige vormgeving geschikt voor de montage van het gootsysteem Schlüter-BARIN. Het profiel BARA-RTKE is bijzonder geschikt voor de constructieopbouw met de hechtende drainage Schlüter-DITRA-DRAIN. Door de geperforeerde rand behoudt men een keurige tegelafsluiting. (Productdatablad 5.21)



### Schlüter®-BARA-RTKE

Alu. met kleurcoating

| H (mm) | L = 2,50 m<br>Art.-No. | € / m | KV (st.) |
|--------|------------------------|-------|----------|
| 10     | RTKE 10 ...*           | 53,85 | 40       |
| 15     | RTKE 15 ...*           | 54,42 | 40       |
| 18     | RTKE 18 ...*           | 55,78 | 40       |
| 21     | RTKE 21 ...*           | 56,95 | 40       |
| 23     | RTKE 23 ...*           | 58,68 | 40       |

#### Opmerking:

De profielhoogte 23 mm is eveneens bedoeld voor gebruik met Schlüter-DITRA-DRAIN 8.

## Hoek | Verbindingsstuk

### Schlüter®-BARA-RTKE/E 90°

Buitenhoek 90°

| H (mm) | Art.-No.           | € / St. | P (st.) |
|--------|--------------------|---------|---------|
| 10     | E90 / RTKE 10 ...* | 65,02   | 10      |
| 15     | E90 / RTKE 15 ...* | 65,02   | 10      |
| 18     | E90 / RTKE 18 ...* | 65,02   | 10      |
| 21     | E90 / RTKE 21 ...* | 65,02   | 10      |
| 23     | E90 / RTKE 23 ...* | 65,02   | 10      |

### Schlüter®-BARA-RTKE/E 135°

Buitenhoek 135°

| H (mm) | Art.-No.            | € / St. | P (st.) |
|--------|---------------------|---------|---------|
| 10     | E135 / RTKE 10 ...* | 65,02   | 10      |
| 15     | E135 / RTKE 15 ...* | 65,02   | 10      |
| 18     | E135 / RTKE 18 ...* | 65,02   | 10      |
| 21     | E135 / RTKE 21 ...* | 65,02   | 10      |
| 23     | E135 / RTKE 23 ...* | 65,02   | 10      |

### Schlüter®-BARA-RTKE/I 90°

Binnenhoek 90°

| H (mm) | Art.-No.           | € / St. | P (st.) |
|--------|--------------------|---------|---------|
| 10     | I90 / RTKE 10 ...* | 65,02   | 10      |
| 15     | I90 / RTKE 15 ...* | 65,02   | 10      |
| 18     | I90 / RTKE 18 ...* | 65,02   | 10      |
| 21     | I90 / RTKE 21 ...* | 65,02   | 10      |
| 23     | I90 / RTKE 23 ...* | 65,02   | 10      |

### Schlüter®-BARA-RTKE/V

Verbindingsstuk

| H (mm) | Art.-No.         | € / St. | P (st.) |
|--------|------------------|---------|---------|
| 10     | V / RTKE 10 ...* | 3,64    | 50      |
| 15     | V / RTKE 15 ...* | 3,64    | 50      |
| 18     | V / RTKE 18 ...* | 3,64    | 50      |
| 21     | V / RTKE 21 ...* | 3,64    | 50      |
| 23     | V / RTKE 23 ...* | 3,64    | 50      |



### Art.-No. kleur toevoegen (bijv. V / RTKE 10 PG)



\* Kleuren: GM - PG

Een overzicht van de oppervlakken en kleuren vindt u vanaf pagina 342.

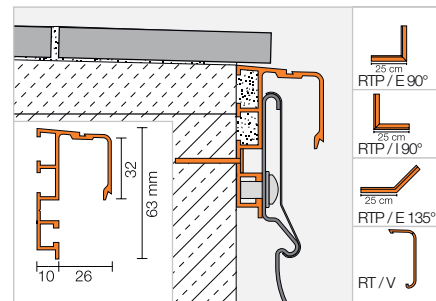
## Randprofiel voor gootbevestiging

## Schlüter®-BARA-RTP



Schlüter-BARA-RTP is een randprofiel voor de bevestiging van het gootsysteem Schlüter-BARIN, dat later aan de vrije rand van aanwezige balkon- of terrasconstructies kan worden aangebracht.

(Productdatablad 5.11)



## Schlüter®-BARA-RTP

Alu. met kleurcoating

| L = 2,50 m<br>Art.-No. | € / m | KV (st.) |
|------------------------|-------|----------|
| RTP 65 PG              | 36,86 | 40       |

## Hoek | Verbindingsstuk | Schroeven

## Schlüter®-BARA-RTP/E 90°

Buitenhoek 90°

| Art.-No.        | € / St. | P (st.) |
|-----------------|---------|---------|
| E90 / RTP 65 PG | 47,59   | 10      |

## Schlüter®-BARA-RTP/E 135°

Buitenhoek 135°

| Art.-No.         | € / St. | P (st.) |
|------------------|---------|---------|
| E135 / RTP 65 PG | 52,37   | 10      |

## Schlüter®-BARA-RTP/I 90°

Binnenhoek 90°

| Art.-No.        | € / St. | P (st.) |
|-----------------|---------|---------|
| I90 / RTP 65 PG | 47,59   | 10      |

## Schlüter®-BARA-RTK/V

Verbindingsstuk

| Art.-No.     | € / St. | P (st.) |
|--------------|---------|---------|
| V / RT 30 PG | 3,34    | 50      |

## Schlüter®-BARA-RTP/S

Speciale schroeven, incl. pluggen

| Art.-No. | € / Set | P (set) |
|----------|---------|---------|
| RTPS 540 | 10,09   | 10      |

Set = 10 St.

## Verkrijgbare kleurcoating:

PG

Kleuren: PG

Een overzicht van de oppervlakken en kleuren vindt u vanaf pagina 342.





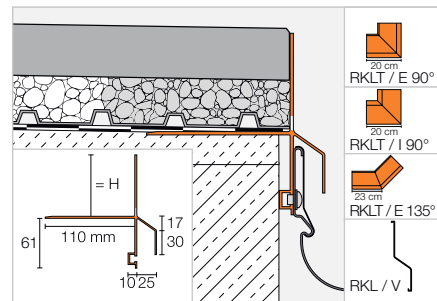
## Randprofiel voor gootbevestiging

### Schlüter®-BARA-RKLT



Schlüter-BARA-RKLT is een hoekvormig randprofiel met afwateringsopeningen uit kleurgecoat aluminium. Het leent zich voor grootformaat plaatelementen die naar keuze op lagen ongebonden grind/split of op tegel dragers worden gelegd. BARA-RKLT beschikt over een T-vormige profielkamer voor de montage van het gootsysteem Schlüter-BARIN.

(Productdatablad 5.20)



### Schlüter®-BARA-RKLT

Alu. met kleurcoating

| H (mm) | L = 2,50 m<br>Art.-No. | € / m        | KV (st.) |
|--------|------------------------|--------------|----------|
| 30     | RKLT 30 ...*           | <b>65,12</b> | 40       |
| 40     | RKLT 40 ...*           | <b>70,46</b> | 40       |
| 50     | RKLT 50 ...*           | <b>72,05</b> | 40       |
| 75     | RKLT 75 ...*           | <b>75,12</b> | 40       |

## Hoek | Verbindingsstuk

### Schlüter®-BARA-RKLT/E 90°

Buitenhoek 90°

| H (mm) | Art.-No.           | € / St.      | P (st.) |
|--------|--------------------|--------------|---------|
| 30     | E90 / RKLT 30 ...* | <b>91,52</b> | 10      |
| 40     | E90 / RKLT 40 ...* | <b>91,52</b> | 10      |
| 50     | E90 / RKLT 50 ...* | <b>91,52</b> | 10      |
| 75     | E90 / RKLT 75 ...* | <b>91,52</b> | 10      |

### Schlüter®-BARA-RKLT/E 135°

Buitenhoek 135°

| H (mm) | Art.-No.            | € / St.      | P (st.) |
|--------|---------------------|--------------|---------|
| 30     | E135 / RKLT 30 ...* | <b>91,52</b> | 10      |
| 40     | E135 / RKLT 40 ...* | <b>91,52</b> | 10      |
| 50     | E135 / RKLT 50 ...* | <b>91,52</b> | 10      |
| 75     | E135 / RKLT 75 ...* | <b>91,52</b> | 10      |

### Schlüter®-BARA-RKLT/I 90°

Binnenhoek 90°

| H (mm) | Art.-No.           | € / St.      | P (st.) |
|--------|--------------------|--------------|---------|
| 30     | I90 / RKLT 30 ...* | <b>91,52</b> | 10      |
| 40     | I90 / RKLT 40 ...* | <b>91,52</b> | 10      |
| 50     | I90 / RKLT 50 ...* | <b>91,52</b> | 10      |
| 75     | I90 / RKLT 75 ...* | <b>91,52</b> | 10      |

### Schlüter®-BARA-RKL/V

Verbindingsstuk

| H (mm) | Art.-No.        | € / St.     | P (st.) |
|--------|-----------------|-------------|---------|
| 30     | V / RKL 30 ...* | <b>7,29</b> | 50      |
| 40     | V / RKL 40 ...* | <b>7,29</b> | 50      |
| 50     | V / RKL 50 ...* | <b>7,29</b> | 50      |
| 75     | V / RKL 75 ...* | <b>7,29</b> | 50      |



Art.-No. kleur toevoegen (bijv. V / RKL 30 PG)

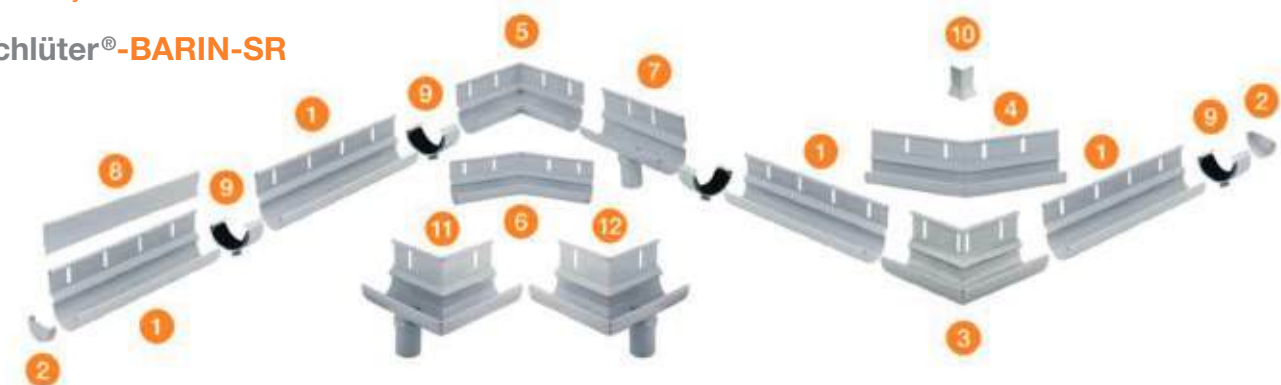


\* Kleuren: GM - PG - SB

Een overzicht van de oppervlakken en kleuren vindt u vanaf pagina 342.

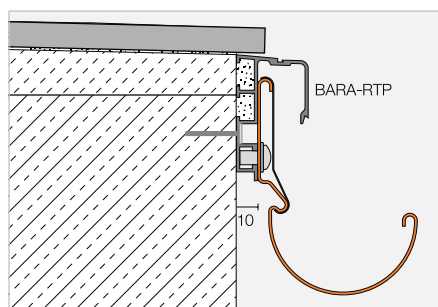
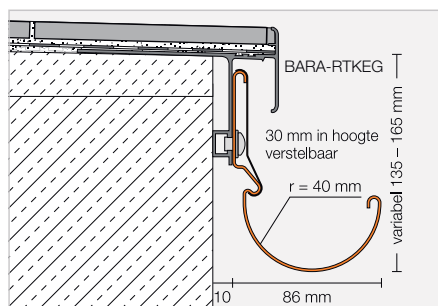
## Gootsysteem

## Schlüter®-BARIN-SR



Schlüter-BARIN-SR is een gootsysteem van kleurgecoat aluminium voor het afvoeren van balkon- en terraswater. Het laat zich bevestigen op de daartoe voorziene Schlüter-BARA profielen.

(Productdatablad 10.1)

**Opmerking:**

Kleine kleurafwijkingen tussen de individuele systeemelementen kunnen om materiaaltechnische redenen niet worden uitgesloten.

## Schlüter®-BARIN-SR-AC

Alu. met kleurcoating

| Beschrijving   | Art.-No.              | € / Set | KV (Set) |
|--|-----------------------|---------|----------|
| BARIN-set goot 2,50 m<br>1 gootelement 2,50 m ①<br>telkens 1 afdekprofiel 2,50 + 0,50 m ②<br>1 verbindingstuk ③<br>8 schroeven   | BSR4 R 250 ...*       | 161,75  | 60       |
| BARIN-set goot 1,50 m<br>1 gootelement 1,50 m ①<br>telkens 1 afdekprofiel 1,50 m + 0,50 m ②<br>1 verbindingstuk ③<br>4 schroeven | BSR4 R 150 ...*       | 95,54   | 60       |
| BARIN-set eindstuk<br>2 eindstukken ②<br>2 verbindingstukken ③   | BSR4 E 2 ...*         | 33,24   | 60       |
| BARIN-set buitenhoek 90°<br>1 hoekelement ③<br>2 verbindingstukken ③<br>1 hoekafdekprofiel ⑩                                     | BSR4 EWG 90 ...*      | 109,11  | 60       |
| BARIN-set buitenhoek 90° met afvoer links<br>1 hoekelement ⑪<br>2 verbindingstukken ③<br>1 hoekafdekprofiel ⑩                    | BSR4 E90 L DN 60 ...* | 139,17  | 60       |
| BARIN-set buitenhoek 90° met afvoer rechts<br>1 hoekelement ⑫<br>2 verbindingstukken ③<br>1 hoekafdekprofiel ⑩                   | BSR4 E90 R DN 60 ...* | 139,17  | 60       |
| BARIN-set buitenhoek 135°<br>1 hoekelement ④<br>2 verbindingstukken ③<br>1 hoekafdekprofiel ⑩                                    | BSR4 EWG 135 ...*     | 109,11  | 60       |
| BARIN-set binnenhoek 90°<br>1 hoekelement ⑤<br>2 verbindingstukken ③   | BSR4 IWG 90 ...*      | 109,11  | 60       |
| BARIN-set binnenhoek 135°<br>1 hoekelement ⑥<br>2 verbindingstukken ③  | BSR4 IWG 135 ...*     | 109,11  | 60       |
| BARIN-set afvoerelement<br>1 gootelement 20 cm met afvoermidden ⑦<br>2 verbindingstukken ③<br>2 schroeven                        | BSR4 A DN 60 ...*     | 49,95   | 60       |

Art.-No. kleur toevoegen (bijv. BSR4 R 250 GM)



\* Kleuren: BW - GM - PG - SB

Een overzicht van de oppervlakken en kleuren vindt u vanaf pagina 342.

 Klantspecifieke hoeken verkrijgbaar  
Meer info op pagina 341.



## Gootsysteem

### Schlüter®-BARIN-R

Schlüter-BARIN-R zijn buissystemen van kleurgecoat aluminium en bijbehorende vormelementen.

(Productdatablad 10.1)



De valbuizen zijn met een geïntegreerd verbindingsdeel uitgerust. Het opzetstuk (8) kan worden gebruikt om twee Schlüter-BARIN buissystemen zonder overgangsstuk (rest-stuk) te verbinden.



Schlüter-KERDI-DRAIN-SP-E spuwer uit roestvast staal zie pagina 304.

Schlüter-BARIN-R-SK is een afvoerpijp afdek-kap om de aansluiting van Schlüter-BARIN buissystemen Ø 60 mm op de grondleiding af te dekken.

Schlüter-BARIN-R-AZ is een T-stuk om Schlüter-BARIN buissystemen Ø 60 mm aan te sluiten op bestaande afvoerbuizen Ø 110 mm (DN 100) van de dakafwatering.

### Schlüter®-BARIN-R-AC

Alu. met kleurcoating

| Beschrijving   | Art.-No.            | € / St. | KV (st.) |
|--|---------------------|---------|----------|
| Valbuis, 1,00 m Ø 60 mm 1  | BR 100 DN 60 ...*   | 45,80   | 60       |
| Valbuis, 2,50 m Ø 60 mm 1  | BR 250 DN 60 ...*   | 105,21  | 60       |
| Bocht 40° Ø 60 mm 3  | BR B40 DN 60 ...*   | 52,61   | 60       |
| Bocht 72° Ø 60 mm 4  | BR B72 DN 60 ...*   | 52,61   | 60       |
| Bocht 85° Ø 60 mm 5  | BR B85 DN 60 ...*   | 52,61   | 60       |
| T-stuk 72° Ø 60 mm 6   | BR AZ DN 60 ...*    | 118,54  | 60       |
| Opzetstuk 8  | BR AM DN 60 ...*    | 30,44   | 60       |
| Spuwer 25 cm Ø 50 mm 7<br>passend voor BARIN-SR afvoeren Ø 50 mm | BR SP25 DN 50 ...*  | 99,14   | 60       |
| Spuwer 40 cm Ø 50 mm 7<br>passend voor BARIN-SR afvoeren Ø 50 mm | BR SP40 DN 50 ...*  | 107,57  | 60       |
| Buisklemmen-set 2<br>2 buisklemmen<br>bevestigingsschroef 100 mm | BR RS100 DN 60 ...* | 21,11   | 60       |
| Buisklemmen-set 2<br>2 buisklemmen<br>bevestigingsschroef 200 mm | BR RS200 DN 60 ...* | 22,78   | 60       |
| bevestigingsschroef 200 mm<br>voor buisklemmen                   | BR SS 200           | 5,46    | 60       |

### Schlüter®-BARIN-R-Z/-K

Zink / Koper

| Beschrijving                                   | Art.-No.            | € / St. | KV (st.) |
|--|---------------------|---------|----------|
| Standleiding afdekcap zink Ø 60 / 116 mm 9     | BR SK DN 60 / 116 Z | 8,65    | 60       |
| T-stuk zink, 85° Ø 110 / 60 mm (DN 100/60) 10  | BR AZ DN 100 / 60 Z | 123,46  | 60       |
| T-stuk koper, 85° Ø 110 / 60 mm (DN 100/60) 10 | BR AZ DN 100 / 60 K | 139,17  | 60       |

Art.-No. kleur toevoegen (bijv. BR 100 DN 60 GM)

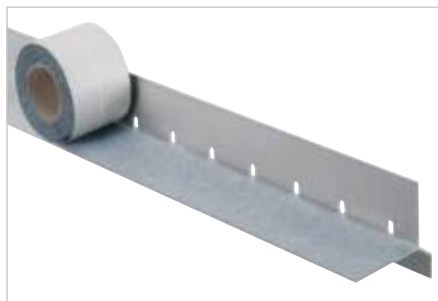


\* Kleuren: BW - GM - PG - SB

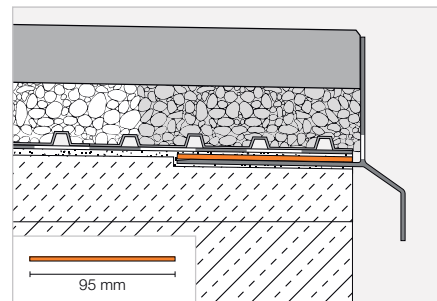
Een overzicht van de oppervlakken en kleuren vindt u vanaf pagina 342.

## Toebehoren – hechtvlies

## Schlüter®-BARA-HV



Schlüter-BARA-HV is een hechting bevorderende kleeftband uit polyethyleen met een vliesmateriaal aan de bovenkant en een zelfklevende butyllaag aan de onderkant. Hij is geschikt voor het maken van een kleeftens om de contactafdichting Schlüter-KERDI aan een randafsluiting met Schlüter-BARA-RKL of -BARA-RKLT betrouwbaar af te dichten. (Productdatablad 5.20)



## Schlüter®-BARA-HV

Zelfklevend hechtvlies

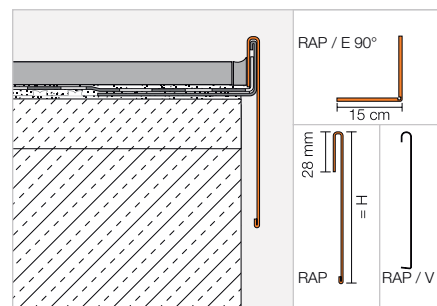
| B (mm) | Rol = 5 m<br>Art.-No. | € / m       | P (rol) |
|--------|-----------------------|-------------|---------|
| 95     | HVL 95 / 5M           | <b>8,07</b> | 10      |

## Toebehoren – afdekprofiel

## Schlüter®-BARA-RAP



Schlüter-BARA-RAP is een afdekprofiel van kleurgecoat aluminium. Het dekt in combinatie met het draagprofiel Schlüter-BARA-RW de vrije (zijdelingse) randen van balkons en terrassen af. (Productdatablad 5.17)



## Schlüter®-BARA-RAP

Alu. met kleurcoating

| H (mm) | L = 2,50 m<br>Art.-No. | € / m        | KV (st.) |
|--------|------------------------|--------------|----------|
| 75     | RAP 75 PG              | <b>28,68</b> | 40       |
| 86     | RAP 90 PG              | <b>29,79</b> | 40       |
| 110    | RAP 110 PG             | <b>31,29</b> | 40       |

## Schlüter®-BARA-RAP/E 90°

Buitenhoek 90° alu. met kleurcoating

| H (mm) | Art.-No.         | € / St.      | P (st.) |
|--------|------------------|--------------|---------|
| 75     | E90 / RAP 75 PG  | <b>33,42</b> | 10      |
| 86     | E90 / RAP 90 PG  | <b>34,67</b> | 10      |
| 110    | E90 / RAP 110 PG | <b>35,85</b> | 10      |

## Schlüter®-BARA-RAP/V

Verbindingsstuk alu. met kleurcoating

| H (mm) | Art.-No.       | € / St.     | P (st.) |
|--------|----------------|-------------|---------|
| 75     | V / RAP 75 PG  | <b>7,76</b> | 50      |
| 86     | V / RAP 90 PG  | <b>7,76</b> | 50      |
| 110    | V / RAP 110 PG | <b>7,76</b> | 50      |

## Opmerking:

Het draagprofiel Schlüter-BARA-RW is apart te bestellen.

## Verkrijgbare kleurcoating:

PG

Kleuren: PG

Een overzicht van de oppervlakken en kleuren vindt u vanaf pagina 342.

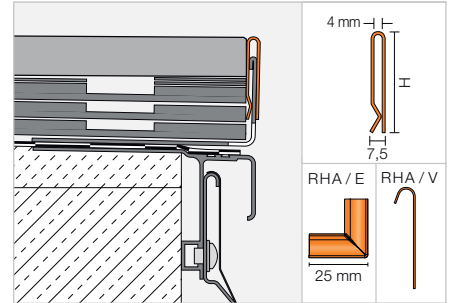


## Toebehoren – afdekprofiel

### Schlüter®-BARA-RHA



Schlüter-BARA-RHA is een in hoogte verstelbaar afdekprofiel van kleurgecoat aluminium. Het dekt in combinatie met de bijbehorende draagprofielen, bijv. BARA-RWL of BARA-RKL, de vrije randen van balkons en terrassen af. Met dit afdekprofiel kunnen opbouwhoogtes tot 220 mm worden gerealiseerd. (Productdatablad 5.16)



#### Schlüter®-BARA-RHA

Alu. met kleurcoating

| H (mm) | L = 2,50 m<br>Art.-No. | € / m        | KV (st.) |
|--------|------------------------|--------------|----------|
| 50     | RHA 50 ...*            | <b>28,11</b> | 40       |
| 90     | RHA 90 ...*            | <b>30,54</b> | 40       |

#### Opmerking:

De draagprofielen zijn apart te bestellen.

## Hoek | Verbindingsstuk

#### Schlüter®-BARA-RHA/E 90°

Buitenhoek 90°

| H (mm) | Art.-No.          | € / St.      | P (st.) |
|--------|-------------------|--------------|---------|
| 50     | E90 / RHA 50 ...* | <b>14,98</b> | 10      |
| 90     | E90 / RHA 90 ...* | <b>14,98</b> | 10      |

#### Schlüter®-BARA-RHA/V

Verbindingsstuk

| H (mm) | Art.-No.        | € / St.     | P (st.) |
|--------|-----------------|-------------|---------|
| 50     | V / RHA 50 ...* | <b>8,99</b> | 50      |
| 90     | V / RHA 90 ...* | <b>8,99</b> | 50      |

Art.-No. kleur toevoegen (bijv. V / RHA 50 SB)



\* Kleuren: GM - PG - SB

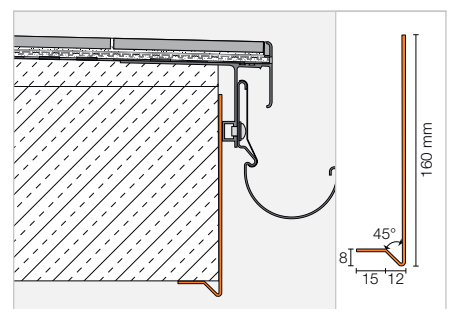
Een overzicht van de oppervlakken en kleuren vindt u vanaf pagina 342.

## Toebehoren – randafdekking

### Schlüter®-BARA-FAP



Schlüter-BARA-FAP is een profiel voor het afdekken van de voorzijde van vrij uitkragende balkons. (Productdatablad 5.23)



#### Schlüter®-BARA-FAP

Alu. met kleurcoating

| L = 2,50 m<br>Art.-No. | € / m        | KV (st.) |
|------------------------|--------------|----------|
| FAP 165 ...*           | <b>44,70</b> | 40       |

#### Schlüter®-BARA-FAP/E 90°

Buitenhoek 90°

| Art.-No.           | € / St.      | P (st.) |
|--------------------|--------------|---------|
| E90 / FAP 165 ...* | <b>44,42</b> | 10      |



Art.-No. kleur toevoegen (bijv. E90 / FAP 165 GM)



\* Kleuren: BW - GM - PG - SB

Een overzicht van de oppervlakken en kleuren vindt u vanaf pagina 342.

#### Opmerking:

Als verbindingstuk raden we de naadafdekking Schlüter-BARA-STU aan.

## Toebehoren – naadafdekking

## Schlüter®-BARA-STU



Schlüter-BARA-STU zijn dunne plaatstrips uit aluminium, die met een schaar op de juiste lengte kunnen worden gesneden en met Schlüter-KERDI-FIX als naadoverlapping van de BARA-profielserie kunnen worden verlijmd.

## Schlüter®-BARA-STU

## Naadafdekking

| Art.-No.     | € / St. | P (st.) |
|--------------|---------|---------|
| STU 335 ...* | 2,41    | 10      |

Lengte = 30 cm  
 Breedte = 35 mm  
 Dikte = 0,5 mm

## Art.-No. kleur toevoegen (bijv. STU 335 GM)



\* Kleuren: BW - GM - PG - SB

Een overzicht van de oppervlakken en kleuren vindt u vanaf pagina 342.



# Schlüter-verwerkingstips

## Voor uw dagelijkse werkzaamheden

Wie goed werk wil leveren, heeft goed gereedschap nodig. In dit hoofdstuk vindt u het passende gereedschap voor het leggen van ontkoppelmatten, het buigen van radiusprofielen en voor onzichtbare inspectie-openingen. Natuurlijk alles in hoogwaardige Schlüter-kwaliteit.





## Revisiemagneten

Schlüter®-REMA 338

## Gereedschap

Schlüter®-RUMA 338

Schlüter®-TROWEL 338

Schlüter®-PROCUT-PSF 339

Schlüter®-PROCUT-TSM 339

## Reinigings- en polijstmiddel

Schlüter®-CLEAN-CP 339



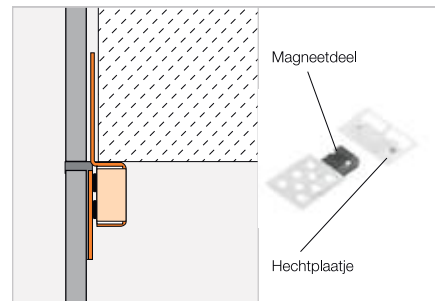
## Revisiemagneten

### Schlüter®-REMA



Schlüter-REMA is een systeem voor het nagenoeg onzichtbaar maken van inspectie-luikjes in wandbetegelingen. Schlüter-REMA kan onafhankelijk van tegeldikte en formaat worden toegepast en biedt de mogelijkheid voor een perfecte aanpassing aan het voegpatroon.

(Productdatablad 11.1)



#### Schlüter®-REMA

4 magneetdelen + 4 hechtplaatjes

| Art.-No. | € / Set | P (set) | KV (Set) |
|----------|---------|---------|----------|
| REMA     | 10,97   | 50      | 200      |

## Gereedschap

### Schlüter®-RUMA



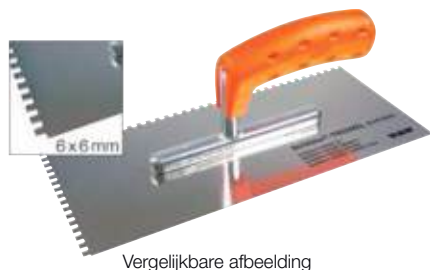
Schlüter-RUMA is een toestel om profielen die van een radiusperforatie zijn voorzien gelijkmatig te buigen.

#### Schlüter®-RUMA

Buigmachine

| Art.-No. | € / St. |
|----------|---------|
| RM       | 442,18  |

### Schlüter®-TROWEL



Vergelijkbare afbeelding

Schlüter-TROWEL is een getande lijmkam met ergonomische softgrip voor moeiteloos verwerken. De vertanding is geschikt voor een efficiënte verlijming van Schlüter-DITRA, -KERDI en -DITRA-HEAT.

#### Schlüter®-TROWEL

Getande lijmkam roestvast staal (280 mm x 130 mm)

| Vertanding | Art.-No. | € / St. | P (st.) |
|------------|----------|---------|---------|
| 4 x 4      | TRL 4X4  | 20,01   | 10      |
| 6 x 6      | TRL 6X6  | 20,01   | 10      |

#### Opmerking:

Vertanding 4 x 4 voor Schlüter-DITRA, -DITRA-DRAIN 8, -DITRA-SOUND en -KERDI.

Vertanding 6 x 6 voor Schlüter-DITRA-DRAIN 4 en -DITRA-HEAT.

## Gereedschap

## Schlüter®-PROCUT-PSF



Schlüter-PROCUT-PSF is een profielschaar om snel en precies kunststof Schlüter-profielen met of zonder voegrib op maat te snijden.



## Schlüter®-PROCUT-PSF

Profielschaar voor profielen met voegribje

| Art.-No. | € / St. | P (st.) |
|----------|---------|---------|
| PSF      | 76,50   | 10      |

## Schlüter®-PROCUT-PS-EK

Vervangstuk: vervangmes profielschaar

| Art.-No.      | € / St. | P (st.) |
|---------------|---------|---------|
| PS 90 / 45 EK | 28,40   | 10      |

## Schlüter®-PROCUT-PSF 10

Display met 10 profielscharen

| Art.-No. | € / Pakket |
|----------|------------|
| PSF 10   | 734,05     |

## Schlüter®-PROCUT-TSM



Schlüter-PROCUT-TSM is een slijpschijf met een diameter van 115 mm voor in de handel verkrijgbare haakse slijpmachines om netjes roestvast staal, aluminium en messing door te slijpen.

## Schlüter®-PROCUT-TSM

Slijpschijf

| Art.-No.  | € / St. | P (st.) |
|-----------|---------|---------|
| TSM 115/1 | 11,02   | 10      |

## Reinigings- en polijstmiddel

## Schlüter®-CLEAN-CP



Schlüter-CLEAN-CP is een polish voor het reinigen van roestvaststalen profielen. Ook profielen uit aluminium, messing en andere materialen kunnen hiermee heel goed zuiver worden gemaakt.  
(Productdatablad 13.1)

## Schlüter®-CLEAN-CP

Reinigingspolish

| Inhoud (ml) | Art.-No. | € / St. | P (st.) |
|-------------|----------|---------|---------|
| 125         | CPP 125  | 20,88   | 10      |



# Schlüter-profielen

De radiusperforatie maakt het verschil



Voor de bescherming van bekledingsafsluitingen met afgeronde randcontouren zijn diverse Schlüter-profielen uit metaal met speciale perforatie leverbaar, waardoor het profiel aan de contour van de bekledingsrand kan worden aangepast. Om productietechnische redenen kunnen producten met  $L = 1,00$  m niet worden voorzien van een speciale perforatie. Producten die met radiusperforatie kunnen worden geleverd, herkent u in de prijslijst aan volgend symbool:



Welke profielen met radiusperforatie leverbaar zijn, ziet u in volgende tabellen, die ook de overeenkomstige prijstoeslag weergeeft.

Buiging is met behulp van de buigmachine Schlüter-RUMA mogelijk met een radius van minstens ca. 1 m resp. 3 m. Schlüter-SCHIENE kan vanaf een hoogte van 6 mm worden gebogen, lagere profielhoogtes op aanvraag. Schlüter-BARA profielen kunnen niet met de buigmachine worden bewerkt.

| Profiel                                   | toeslag      |
|---|--------------|
| <b>Buigradius <math>r = 1,00</math> m</b> | <b>€ / m</b> |
| Schlüter-JOLLY-A                          | 3,33         |
| Schlüter-SCHIENE-A                        | 3,33         |
| Schlüter-SCHIENE-AC / -TS                 | 3,33         |
| Schlüter-SCHIENE-AE                       | 3,33         |
| Schlüter-SCHIENE-AV                       | 3,33         |
| Schlüter-SCHIENE-E / -E V4A               | 3,33         |
| Schlüter-SCHIENE-EB                       | 3,33         |
| Schlüter-SCHIENE-M                        | 3,33         |
| Schlüter-SCHIENE-STEP-EB                  | 3,33         |

| Profiel                                   | toeslag      |
|---|--------------|
| <b>Buigradius <math>r = 3,00</math> m</b> | <b>€ / m</b> |
| Schlüter-DECO-A                           | 3,33         |
| Schlüter-DECO-AE                          | 3,33         |
| Schlüter-DECO-AC                          | 3,33         |
| Schlüter-DECO-M                           | 3,33         |
| Schlüter-JOLLY-AC / -TS                   | 3,33         |
| Schlüter-JOLLY-AE                         | 3,33         |
| Schlüter-JOLLY-MC                         | 3,33         |
| Schlüter-QUADEC-A                         | 3,33         |
| Schlüter-QUADEC-AC / -TS                  | 3,33         |
| Schlüter-QUADEC-E / -E V4A                | 3,33         |
| Schlüter-QUADEC-EP / -EB                  | 3,33         |
| Schlüter-RENO-AETK                        | 3,33         |
| Schlüter-RENO-ATK                         | 3,33         |
| Schlüter-RENO-MTK                         | 3,33         |
| Schlüter-RONDEC-A                         | 3,33         |
| Schlüter-RONDEC-AC / -TS                  | 3,33         |
| Schlüter-RONDEC-E / -E V4A                | 3,33         |
| Schlüter-RONDEC-EP / -EB                  | 3,33         |
| Schlüter-SCHIENE-ES                       | 3,33         |
| Schlüter-BARA-RT                          | 6,67         |
| Schlüter-BARA-RW                          | 6,67         |
| Schlüter-BARA-RW-E                        | 6,67         |
| Schlüter-BARA-RWL                         | 6,67         |

## Levering:

Om het artikelnummer van het profiel met speciale perforatie te krijgen, plaatst u gewoon een "R/" voor het artikelnummer van het standaardprofiel (bijv.: R / M 80 voor Schlüter-SCHIENE-M 80 in speciale perforatie).

De leveringstijd voor profielen in speciale perforatie bedraagt ca. 14 dagen.

De profielen worden in rechte toestand geleverd, waarbij vooral in roestvast staal een torsie door materiaalspanningen kan optreden.

Voor vragen of uw bestelling kunt u zich wenden tot uw verkoopmedewerker.



Om de profielen snel en netjes te buigen, gebruikt u onze buigmachine Schlüter-RUMA (zie pagina 338).

# Schlüter®-BARA en Schlüter®-BARIN

## Hoeken in speciale graden



De Schlüter-BARA profielen beschermen de randen van balkons en terrassen op verschillende manieren en zorgen voor de afwatering van de constructie. Het Schlüter-BARIN-SR gootsysteem biedt daarbij passende producten voor het afvoeren van water op balkons en terrassen.

Bouwprojecten zijn net zo uniek als onze klanten. Hiervoor biedt het BARA-/BARIN-assortiment diverse afsluit- en afwateringsmogelijkheden in standaard kleuren, RAL-kleuren uit het MyDesign-programma (BARA) en BARA- en BARIN-hoeken zowel in 90° en 135° als hoeken in speciale graden aan.



Welke BARA- en BARIN-hoeken in een speciale buiging leverbaar zijn, vindt u in de volgende tabellen. De varianten die in speciale RAL-kleuren verkrijgbaar zijn, worden ook aangeduid.

**\* MyDesign by Schlüter-Systems**

Individuele coating in  
190 RAL-Classic kleuren mogelijk.  
Meer info vanaf pagina 16.

### Speciale buitenhoek

Schlüter-BARA-RAK\*  
Schlüter-BARA-RAKE\*  
Schlüter-BARA-RAKEG\*  
Schlüter-BARA-RK\*  
Schlüter-BARA-RKB\*  
Schlüter-BARA-RKK\*  
Schlüter-BARA-RKKE\*  
Schlüter-BARA-RTC\*  
Schlüter-BARA-RKL\*  
Schlüter-BARA-RKLT  
Schlüter-BARA-RTK  
Schlüter-BARA-RTKE  
Schlüter-BARA-RTKEG  
Schlüter-BARIN-SR

### Speciale binnenhoek

Schlüter-BARA-RAK\*  
Schlüter-BARA-RAKE\*  
Schlüter-BARA-RAKEG\*  
Schlüter-BARA-RK\*  
Schlüter-BARA-RKB\*  
Schlüter-BARA-RKK\*  
Schlüter-BARA-RKKE\*  
Schlüter-BARA-RKL\*  
Schlüter-BARA-RKLT  
Schlüter-BARA-RTK  
Schlüter-BARA-RTKE  
Schlüter-BARA-RTKEG  
Schlüter-BARIN-SR

### Levering en prijs:

Om het artikelnummer van een speciale buiging te verkrijgen, vervangt u bij de standaard BARA-hoek de "E/" of "I/" door "ESO/" of "ISO/".

Bij de standaard BARIN-hoek vervangt u in het middelste deel van het artikelnummer de "standaard graden" door "SO" (bijv. BSR4 EWG 90 / BW door BSR4 EWG SO / BW).

Wenst u de speciale hoek ook in een MyDesign RAL-kleur, dan zet u vóór het artikelnummer nog gewoon "C/".

### Voorbeelden:

Speciale hoek BARA-RAK:  
ESO / RAK 50 BW

Speciale hoek BARA-RAK in RAL:  
C / ESO / RAK 50 A

Om de prijs voor uw individuele BARA- of BARIN-hoek te bepalen, telt u 50% op bij de prijs van de desbetreffende standaard hoek in 90°. Moet de speciale hoek ook worden gecoat met een MyDesign RAL-kleur, dan wordt aanvullend de MyDesign-toeslag B (= € 6,47) berekend.

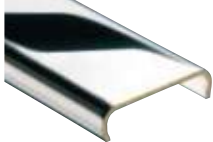
Voor vragen of uw bestelling kunt u zich wenden tot uw verkoopmedewerker.



# Metalen oppervlakken

## Overzicht van alle afwerkingen

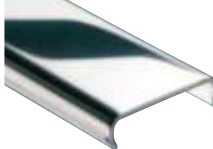
### Messing verchroomd



**MC**

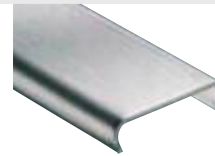
Messing verchroomd

### Roestvast staal



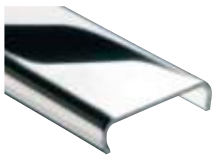
**E**

Roestvast staal  
V2A materiaal-nr. 1.4301 = AISI 304  
V4A materiaal-nr. 1.4404 = AISI 316L



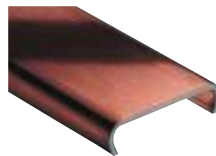
**EB**

Roestvast staal  
geborsteld



**EP**

Roestvast staal  
gepolijst



**EOB**

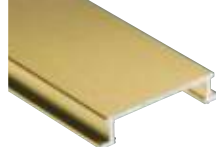
Roestvast staal  
olie ingewreven brons

### Aluminium mat geanodiseerd



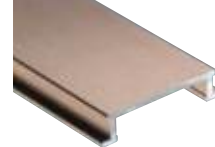
**AE**

Alu. bruto mat  
geanodiseerd



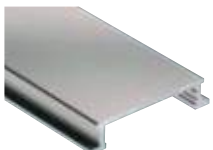
**AM**

Alu. messingkleurig  
mat geanodiseerd



**AK**

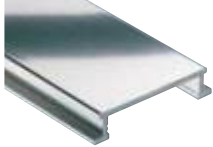
Alu. koperkleurig mat  
geanodiseerd



**AT**

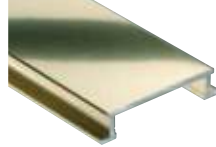
Alu. titanium mat  
geanodiseerd

### Aluminium glanzend geanodiseerd



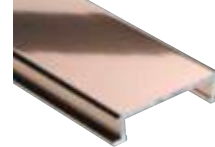
**ACG**

Alu. chroom glanzend  
geanodiseerd



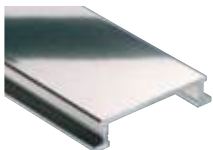
**AMG**

Alu. messing glanzend  
geanodiseerd



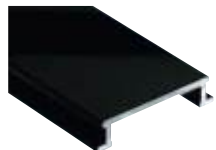
**AKG**

Alu. koper glanzend  
geanodiseerd



**ATG**

Alu. titanium glanzend  
geanodiseerd



**AGSG**

Alu. zwart glanzend  
geanodiseerd

Aluminium geborsteld geanodiseerd



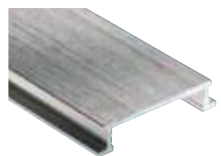
**ACGB**  
Alu. chroom  
geborsteld  
geanodiseerd



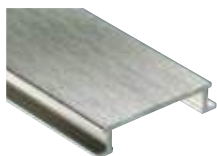
**AMGB**  
Alu. messing  
geborsteld  
geanodiseerd



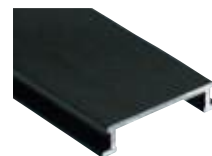
**AKGB**  
Alu. koper  
geborsteld  
geanodiseerd



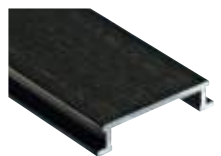
**ATGB**  
Alu. titanium  
geborsteld  
geanodiseerd



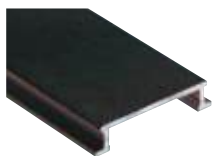
**AEEB**  
Alu. rvs-look  
geborsteld  
geanodiseerd



**AGRB**  
Alu. grafiet  
geborsteld  
geanodiseerd



**AGSB**  
Alu. grafietzwart  
geborsteld  
geanodiseerd



**ABGB**  
Alu. antiek brons  
geborsteld  
geanodiseerd

Aluminium / roestvast staal met structuurcoating



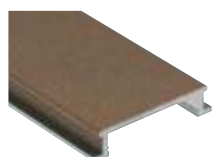
**TSI**  
structuur-gecoat  
ivoor



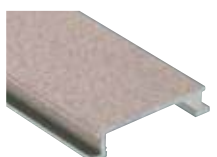
**TSC**  
structuur-gecoat  
crème



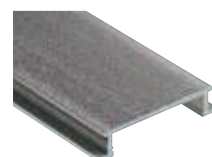
**TSBG**  
structuur-gecoat  
beigegrijs



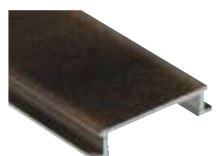
**TSB**  
structuur-gecoat  
beige



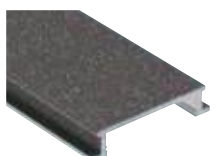
**TSSG**  
structuur-gecoat  
steengrijs



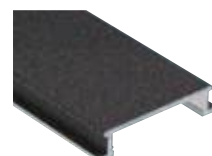
**TSG**  
structuur-gecoat  
grijs



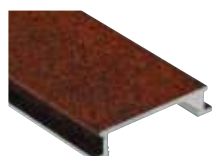
**TSOB**  
structuur-gecoat  
brons



**TSLA**  
structuur-gecoat  
licht antraciet



**TSDA**  
structuur-gecoat  
donker antraciet



**TSR**  
structuur-gecoat  
roestbruin

Schlüter-profielen: andere materialen

**A**  
Aluminium

**AC**  
Aluminium met kleurcoating

**Z**  
Zink

**M**  
Messing

**K**  
Koper

**P**  
PVC gekleurd

**Opmerking:**

Voor een betere en algemene voorstelling worden op deze pagina alle metalen oppervlakken op Schlüter-DESIGNLINE profielen getoond. Voor de werkelijke beschikbaarheid van de materialen verwijzen wij u naar de informatie van het desbetreffende product. Om druktechnische redenen kan de originele kleur niet exact worden weergegeven.

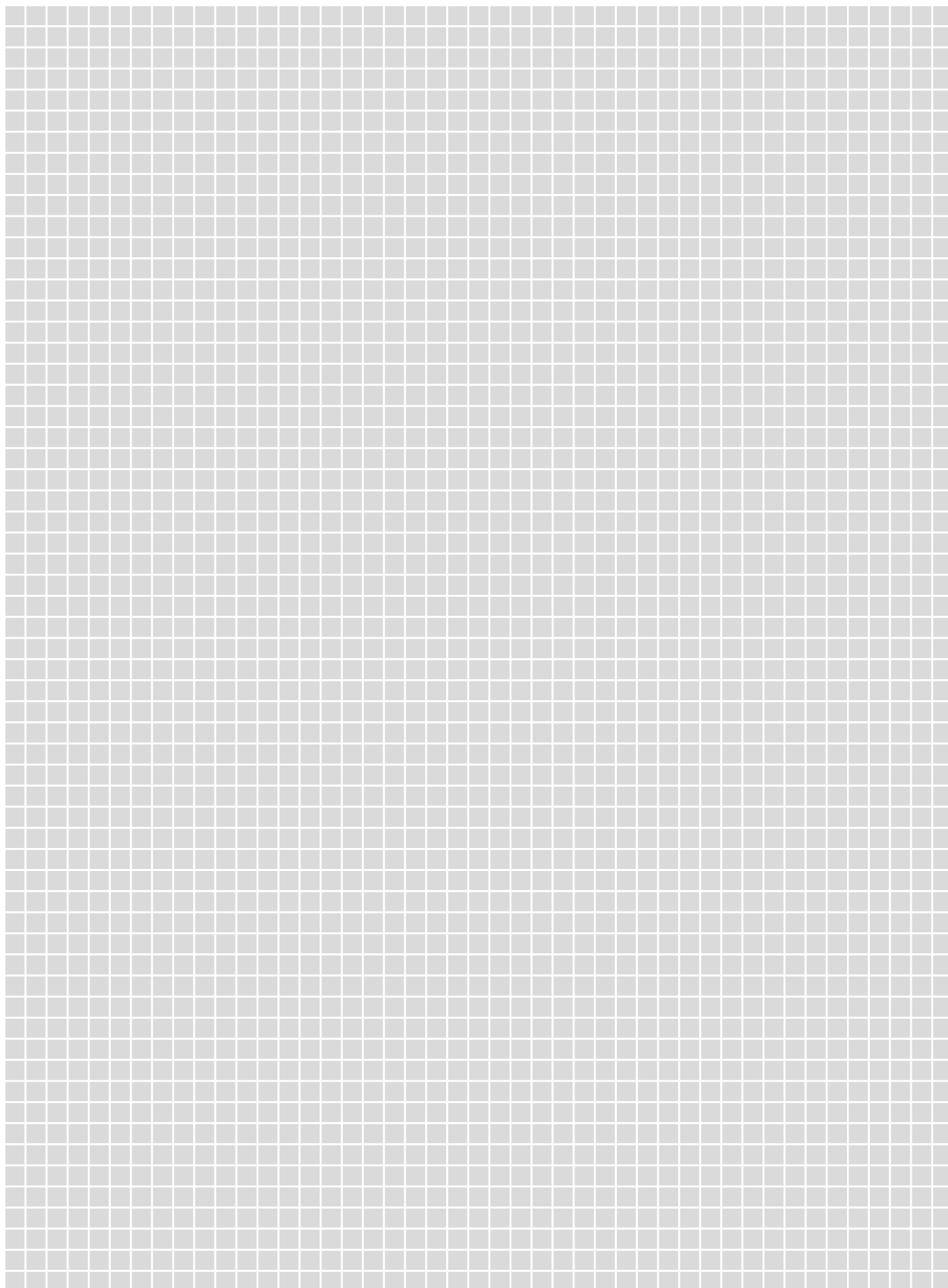


# Kleurcodes

## Overzicht van alle kleuren

|   |  |   |  |   |  |
|---|--|---|--|---|--|
|    | <b>AG</b><br>antracietgrijs                        |    | <b>GM</b><br>grijsmetallic                         |    | <b>RB</b><br>roodbruin                               |
|    | <b>AP</b><br>abrikoos<br>(sanitair „soft apricot“) |    | <b>GS</b><br>grafietzwart<br>(sanitair „ebony“)    |    | <b>SB</b><br>zwartbruin                              |
|    | <b>BH</b><br>bahama<br>(sanitair „bahama“)         |    | <b>HB</b><br>lichtbeige                            |    | <b>SG</b><br>steengrijs                              |
|   | <b>BW</b><br>zuiver wit                            |   | <b>HG</b><br>lichtgrijs                            |   | <b>SP</b><br>zacht perzik<br>(sanitair „soft peach“) |
|  | <b>C</b><br>crème                                  |  | <b>MBW</b><br>zuiver wit mat                       |  | <b>T</b><br>transparant grijs                        |
|  | <b>CA</b><br>caramel<br>(sanitair „caramel“)       |  | <b>MGS</b><br>grafietzwart mat                     |  | <b>VG</b><br>verkeersgrijs                           |
|  | <b>CG</b><br>citrusgeel                            |  | <b>NB</b><br>notenbruin                            |  | <b>W</b><br>wit<br>(sanitair „pergamon/jasmin“)      |
|  | <b>DA</b><br>donker antraciet                      |  | <b>PG</b><br>pastelgrijs<br>(sanitair „manhattan“) |  | <b>ZR</b><br>steenrood                               |
|  | <b>FG</b><br>voegengrijs                           |  | <b>PW</b><br>parelwit                              |   |  |
|  | <b>G</b><br>grijs                                  |  | <b>QG</b><br>kwartsgrijs                           |   |  |

Om druktechnische redenen kan de originele kleur niet exact worden weergegeven.





# Legenda

## Nieuwigheden



Nieuwe producten

## Personalisatie



MyDesign producten

## Toepassingen



Voor gebruik op de vloer in ruimtes voor particulier gebruik geschikt



Voor gebruik aan de wand binnen geschikt



Contactgeluiddempend

## Eigenschappen



Ook leverbaar in 3 m



Radiusperforatie verkrijgbaar



Peel & Stick zelfklevend



Easycut-snijraster



Easyfill-design



WiFi-sturing



Spraakbesturingsfunctie



Speciale hoek

### Verpakkingseenheden

PL = Europallet

KV = Kistverpakking / doosverpakking

BV = Bundelverpakking

Voor alle profieltypes geldt een bundelverpakking van 10 stuks.

P = Pakketverpakking

R = Rol

St. = Stuks

### Afmetingen

H = Hoogte

L = Lengte

B = Breedte

T = Diepte

De 3 m lengten kunnen echter niet met expresdienst worden geleverd.

Ten gevolge van technische ontwikkelingen zijn afwijkingen ten opzichte van foto's, tekeningen en beschrijvingen niet uit te sluiten.

Houd er rekening mee dat wij op maat gemaakte producten in het algemeen niet terugnemen; de wettelijke garantie blijft van kracht.

# Algemene bedrijfsvoorwaarden



Enkel onze algemene bedrijfsvoorwaarden zijn van toepassing, waarvan de actuele versie kan worden gedownload op [schlueter-systems.com/agb](https://schlueter-systems.com/agb) of die wij op verzoek kunnen toesturen.







[schlueter-systems.com](https://schlueter-systems.com)

De algemene bedrijfsvoorwaarden van Schlüter-Systems KG zijn van toepassing.  
Door de uitgave van deze beeldprijslijst verliezen alle vorige prijslijsten hun geldigheid.  
Vergissingen, wijzigingen, drukfouten en veranderingen ten gevolg van productinnovatie of die wegens leveringsomstandigheden noodzakelijk zijn, voorbehouden. Kleurafwijkingen bij afbeeldingen in deze prijslijst kunnen door druktechnische redenen mogelijk zijn.



**Schlüter-Systems KG**  Schmölestraße 7 | D-58640 Iserlohn  
 +49 2371 971-0  +49 2371 971-1112  [export@schlueter.de](mailto:export@schlueter.de)  [schlueter-systems.com](https://schlueter-systems.com)

**Schlüter-Systems KG**  BeNeLux Bureau | Schotelven 28 | B-2370 Arendonk  
 +32 14 44 30 80  [benelux@schlueter.de](mailto:benelux@schlueter.de)  [schlueter-systems.nl](https://schlueter-systems.nl)